



**VRB**  
High Efficiency Heat Recovery Outdoor Unit  
60 Hz

**COMMERCIAL  
PRODUCT SPECIFICATIONS**

Bulletin No. 210895  
February 2021  
Supersedes October 2020



**ASHRAE 90.1  
COMPLIANT**

**6 to 41 Tons**

**MODEL NUMBER IDENTIFICATION**

**VRB072H4M-3Y**

**Brand/Family**  
V = Variable Refrigerant Flow (VRF)

**Unit Type**  
R = Heat Recovery Outdoor Unit

**Major Design Sequence**  
B = 2nd Generation

Cooling Capacity - Tons	
072 = 6 Tons	312 = 26 Tons
096 = 8 Tons	336 = 28 Tons
120 = 10 Tons	360 = 30 Tons
144 = 12 Tons	384 = 32 Tons
168 = 14 Tons	408 = 34 Tons
192 = 16 Tons	432 = 36 Tons
216 = 18 Tons	456 = 38 Tons
240 = 20 Tons	480 = 40 Tons
264 = 22 Tons	504 = 41 Tons
288 = 24 Tons	

**Voltage**  
Y = 208/230V-3 phase-60hz  
G = 460V-3 phase-60hz

**Controls Protocol**  
3 = Phase 3

**Refrigerant Circuits**  
M = Multiple Circuits

**Refrigerant Type**  
4 = R-410A

**Cooling Efficiency**  
H = High Efficiency

## CONTENTS

AHRI Ratings . . . . .	9
Approvals And Warranty . . . . .	3
Apps And Software . . . . .	5
Capacity Tables Index . . . . .	2
Dimensions - Piping Details . . . . .	20
Dimensions - Unit . . . . .	18
Electrical Data . . . . .	7
Features And Benefits . . . . .	3
Installation Clearances . . . . .	21
Model Number Identification. . . . .	1
Optional Accessories . . . . .	6
Sound Data . . . . .	14
Specifications . . . . .	7
System Combinations . . . . .	6

## CAPACITY TABLES INDEX

Cooling Capacity - Single Module   VRB072H4 . . . . .	22
Heating Capacity - Single Module   VRB072H4 . . . . .	27
Cooling Capacity - Single Module   VRB096H4 . . . . .	30
Heating Capacity - Single Module   VRB096H4 . . . . .	35
Cooling Capacity - Single Module   VRB120H4 . . . . .	38
Heating Capacity - Single Module   VRB120H4 . . . . .	43
Cooling Capacity - Single Module   VRB144H4 . . . . .	46
Heating Capacity - Single Module   VRB144H4 . . . . .	51
Cooling Capacity - Single Module   VRB168H4 . . . . .	54
Heating Capacity - Single Module   VRB168H4 . . . . .	59
Cooling Capacity - Single Module   VRB192H4 . . . . .	62
Heating Capacity - Single Module   VRB192H4 . . . . .	67
Cooling Capacity - Two Module   VRB216H4. . . . .	70
Heating Capacity - Two Module   VRB216H4 . . . . .	75
Cooling Capacity - Two Module   VRB240H4. . . . .	78
Heating Capacity - Two Module   VRB240H4 . . . . .	83
Cooling Capacity - Two Module   VRB264H4. . . . .	86
Heating Capacity - Two Module   VRB264H4 . . . . .	91
Cooling Capacity - Two Module   VRB288H4. . . . .	94
Heating Capacity - Two Module   VRB288H4 . . . . .	99
Cooling Capacity - Two Module   VRB312H4. . . . .	102
Heating Capacity - Two Module   VRB312H4 . . . . .	107
Cooling Capacity - Two Module   VRB336H4. . . . .	110
Heating Capacity - Two Module   VRB336H4 . . . . .	115
Cooling Capacity - Two Module   VRB360H4. . . . .	118
Heating Capacity - Two Module   VRB360H4 . . . . .	123
Cooling Capacity - Two Module   VRB384H4. . . . .	126
Heating Capacity - Two Module   VRB384H4 . . . . .	131
Cooling Capacity - Three Module   VRB408H4. . . . .	134
Heating Capacity - Three Module   VRB408H4. . . . .	139
Cooling Capacity - Three Module   VRB432H4. . . . .	142
Heating Capacity - Three Module   VRB432H4. . . . .	147
Cooling Capacity - Three Module   VRB456H4. . . . .	150
Heating Capacity - Three Module   VRB456H4. . . . .	155
Cooling Capacity - Three Module   VRB480H4. . . . .	158
Heating Capacity - Three Module   VRB480H4. . . . .	163
Cooling Capacity - Three Module   VRB504H4. . . . .	166
Heating Capacity - Three Module   VRB504H4. . . . .	171

## APPROVALS AND WARRANTY

### APPROVALS

- AHRI Certified to AHRI Standard 1230-2014
- All models are ASHRAE 90.1 compliant
- Units are ETL certified for the U.S. and Canada

### WARRANTY

- Compressor and all Covered Components - Limited ten years for qualifying installations
- See Warranty Certificate for details

## FEATURES AND BENEFITS

### OVERVIEW

- Variable-capacity outdoor units modulate the amount of refrigerant needed based on cooling and heating demands allowing for reduced energy usage at partial load conditions
- Heat Recovery units allow some indoor units to heat and other indoor units to cool simultaneously as required, while the compressor load benefits from the internal heat recovery

### Operation Range

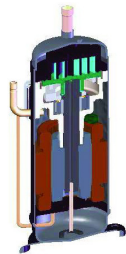
- System will operate at temperatures ranging from 5°F to 125°F in cooling mode, -13°F to 64°F in heating mode and 5°F to 80°F in simultaneous heating/cooling mode

### Capacity

- Ranges from 6 to 41 tons. Up to 64 indoor units (with capacity up to 130% of total outdoor units) can be connected to one refrigeration system

### Compressor

- High efficiency variable capacity scroll compressor is direct current inverter controlled
- Reduces power consumption by as much as 25% by varying compressor motor input frequency and voltage



### R-410A Refrigerant

- Non-chlorine based
- Ozone-friendly

### Direct Current Outdoor Fan Motor

- Outdoor unit control varies the speed of the outdoor fan motor (up to 15 steps) based on load and refrigerant discharge pressure for minimum energy consumption
- Standard on all outdoor unit models

### Outdoor Fan Grille

- Enhanced design reduces sound levels

### Outdoor Fan Blade Profile

- Aerodynamically designed fan blade increases the airflow rate and reduces vibration and sound



### High External Static Pressure

- High-static pressure outdoor fan adapts to various installation environments
- Offers selectable external static pressure up to 0.32 in. w.g. for units in custom applications

### High Performance Outdoor Coil

- Special fin design pattern reduces air resistance and increases heat transfer
- Rifled tubing provides superior refrigerant flow resulting in maximum heat transfer
- Hydrophilic coating reduces condensate build-up and improves water drainage from coil, enhancing heat transfer performance

### Flexible Piping Design

- Supports extended refrigerant piping and drop lengths

### Four-Way Valve Control

- Reverses refrigerant flow during cooling or heating modes

### Refrigerant Line Connections

- Gas and liquid line service valves and gauge ports are located inside the cabinet

### High Pressure Sensor and Switch

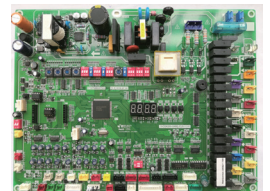
- Shuts off unit if abnormal operating conditions cause the discharge pressure to rise above setting
- Protects compressor from excessive discharge pressure

### Low Pressure Sensor and Switch

- Shuts off unit if suction pressure falls below setting
- Provides loss of charge and freeze-up protection.

### Unit Control Board

- Contains all necessary relays and controls to setup, maintain and service the system
- LED readout aids in system setup, maintenance and servicing
- Rotary DIP switches allow outdoor and indoor unit addressing, starting time silent time and mode, static pressure selection, outdoor unit capacity and network addressing
- LEDs indicate power supply, unit operation, network operation, inverter module operation



## FEATURES AND BENEFITS

### LED Display

- Located inside the unit cabinet
  - Control System Mode Operation (Off/Cooling /Heating /Mix Cooling/Mix Heating)
  - Monitor Compressor Status (Main Compressor Speed, Sub Compressor Speed)
  - Monitor Voltage, Monitor Status (Latest Error Code / Defrosting / Oil Return / Standby / Running)
  - Buttons select Home / Menu, Back and Enter and Up/ Down buttons to make selection
  - LEDs indicate menu status Data, Alarm, Setting, Services



### Pulse Meter Connections

- Real-time monitoring of energy consumption through the Lennox VRF manager (LVM) Touchscreen Centralized Controller

**NOTE** - Pulse meter is not furnished and must be field provided.

### Cycle Duty and Backup Operation

- In a multiple outdoor unit setup, any outdoor unit can be programmed as the main outdoor unit to maintain system operation during servicing
- Main outdoor unit is set on the control board

### Precise Oil Control Technology

- Five-stage oil balance and return technology ensures proper compressor operation throughout the system
  - **1st Stage** - Oil and gas is separate in compressor
  - **2nd Stage** - High efficiency centrifugal oil separator (efficiency up to 99%) keeps oil from being distributed by high pressure and high temperature refrigerant gas and returns oil to compressor
  - **3rd Stage** - Refrigerant piping design between compressors keeps proper oil balance
  - **4th Stage** - Valve between outdoor unit stages maintains proper oil balance
  - **5th Stage** - Intelligent oil return algorithm implemented through the unit control maintains proper oil balance



### Intelligent Soft Start

- Gradually ramps up compressor to speed to conserve energy

### Control Box

- Contains main unit controller, DC inverter module, inverter reactor, filter board, outdoor power supply control, DC fan control module, contactor, power transformers and terminal block
- Swing-out design allows easy access to compressor compartment.

### Night Silence Mode

- Reduces the speed of the outdoor fans for quiet operation
- The start time is measured in hours from the daytime peak temperature and the operating time is configurable
- Extra silent mode reduces sound levels to a minimum of 45 dBA

### Remote Addressing

- Outdoor unit can automatically distribute addresses to indoor units without any manual settings
- Optional wireless remote control can inquire and modify each indoor unit's address

## Optional Accessories

### Hail Guard Kit

- Flat design allows outdoor modules to be placed close together
- Painted to match the outdoor unit

### Low Ambient Kit (-10°F)

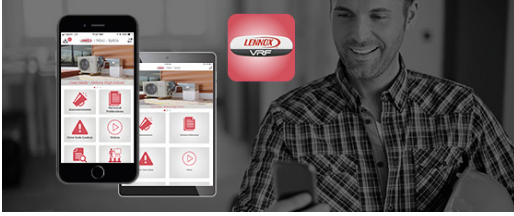
- Units operate in the cooling mode down to 5°F outdoor air temperature without any additional controls
- Kit can be added in the field enabling unit to operate properly down to -10°F in the cooling mode

**NOTE** - For multiple outdoor unit combinations (side by side). One top assembly and one rear panel is required for each outdoor unit module. Only two side panels are required for each side of the outermost outdoor unit modules.



## APPS AND SOFTWARE

### Lennox VRF and VRF Mini-Split App



Gives you resources to technical information for VRF and VRF mini-Split systems including:

#### Error Code Lookup

- Access to error codes for quicker troubleshooting

#### Document Library

- Easily view product specifications, submittals and installation manuals

#### Refrigerant Charge Calculator

- Quickly calculate additional charge for installed piping

#### Quick Reference

- View pressure-test and evacuation-procedure processes and pre-commissioning checklist

#### Pipe Limitations

- View recommended specifications

#### Videos

- Learn more about the Lennox VRF system

**NOTE** - This app is a central database of technical, service, installation, and troubleshooting guides and does not directly connect to the Lennox VRF System.



**NOTE** - Apple, the Apple logo, iPhone and iPad are trademarks of Apple Inc. registered in the US and other countries.  
Android is a trademark of Google Inc. Use of this trademark is subject to Google permission.

## SYSTEM COMBINATIONS

Model No.	Capacity	Outdoor Units Combinations	Maximum Number of Indoor Units
VRB072H4	6 Ton	(1) VRB072H4	13
VRB096H4	8 Ton	(1) VRB096H4	17
VRB120H4	10 Ton	(1) VRB120H4	22
VRB144H4	12 Ton	(1) VRB144H4	25
VRB168H4	14 Ton	(1) VRB168H4	29
VRB192H4	16 Ton	(1) VRB192H4	35
VRB216H4	18 Ton	(1) VRB120H4 + (1) VRB096H4	40
VRB240H4	20 Ton	(2) VRB120H4	44
VRB264H4	22 Ton	(1) VRB144H4 + (1) VRB120H4	49
VRB288H4	24 Ton	(1) VRB168H4 + (1) VRB120H4	53
VRB312H4	26 Ton	(1) VRB192H4 + (1) VRB120H4	57
VRB336H4	28 Ton	(2) VRB168H4	62
VRB360H4	30 Ton	(1) VRB192H4 + (1) VRB168H4	64
VRB384H4	32 Ton	(2) VRB192H4	64
VRB408H4	34 Ton	(1) VRB168H4 + (2) VRB120H4	64
VRB432H4	36 Ton	(1) VRB168H4 + (1) VRB144H4 + (1) VRB120H4	64
VRB456H4	38 Ton	(1) VRB168H4 + (2) VRB144H4	64
VRB480H4	40 Ton	(2) VRB168H4 + (1) VRB144H4	64
VRB504H4	41 Ton	(3) VRB168H4	64

## OPTIONAL ACCESSORIES

Item Description	Catalog Number	Unit Model No	
		VRB072H4 VRB096H4 VRB120H4	VRB144H4 VRB168H4 VRB192H4
<b>HAIL GUARD KIT</b>			
	Order 1	<b>19S80</b>	X
	Order 1	<b>19S81</b>	X
<b>LOW AMBIENT KIT (-10°F)</b>			
Low Ambient Cooling Hood Assembly with Damper and Control Box (Order 1)		<b>19H01</b>	X
<sup>1</sup> Side Wind Deflector (Order 2)		<b>19H02</b>	X
Rear Wind Deflector (Order 1)		<b>19H03</b>	X
Low Ambient Cooling Hood Assembly with Damper and Control Box (Order 1)		<b>19H04</b>	X
<sup>1</sup> Side Wind Deflector (Order 2)		<b>19H05</b>	X
Rear Wind Deflector and Corner Panels (Order 1)		<b>19H06</b>	X

NOTE - If using the Lennox VRF Selection Software, the correct number of components will automatically be ordered.

<sup>1</sup> Multiple outdoor unit combinations (side by side) - One top assembly and one rear panel is required for each outdoor unit module. Only two side panels are required for each side of the outermost outdoor unit modules.

SPECIFICATIONS		INDIVIDUAL OUTDOOR UNITS - 6 TON   8 TON   10 TON		
Model No.		VRB072H4	VRB096H4	VRB120H4
	Nominal Size - Tons	6	8	10
Sound Data (dBA)	208/230V	62	64	65
	460V	65	68	69
Refrigerant	Type	R-410A	R-410A	R-410A
	Charge furnished	23 lbs. 8 oz.	23 lbs. 8 oz.	23 lbs. 8 oz.
Compressor	No. and Type	(1) DC inverter	(1) DC inverter	(1) DC inverter
	Crankcase heater - W	(2) 30	(2) 30	(2) 30
	Refrigerant oil type	FVC68D	FVC68D	FVC68D
	Refrigerant oil charge - oz.	37.2	37.2	37.2
Connections - in. (sweat)	Liquid pipe	5/8	5/8	5/8
	Gas pipe (low pressure)	1-1/8	1-1/8	1-1/8
	Gas pipe (high pressure)	1	1	1
	Gas balance pipe (high pressure)	3/4	3/4	3/4
	Oil balance pipe	1/4	1/4	1/4
Outdoor Fans	Quantity, Type and Material	(2) Axial Plastic	(2) Axial Plastic	(2) Axial Plastic
	External Static Pressure - in. w.g.	0 - 0.32	0 - 0.32	0 - 0.32
	Air volume - cfm	8200	8700	9200
	Motor rpm	(2) 880	(2) 930	(2) 980
Outdoor Coil	Number of rows	3	3	3
	Tube pitch (a) × row pitch (b) - in.	7/8 x 3/4	7/8 x 3/4	7/8 x 3/4
	Fin spacing - in.	5/8	5/8	5/8
	Fin type	Hydrophilic aluminum		
	Tube outside diameter - in.	5/16	5/16	5/16
	Tube type	Rifled copper tubing		
	Coil dimension (W × H) - in.	42-7/8 x 48-1/2	42-7/8 x 48-1/2	42-7/8 x 48-1/2
	Quantity	2	2	2
	Number of circuits	14	14	14
Design Pressure	High/low	650 / 250	650 / 250	650 / 250
Ambient Temperature Range (°F)	Cooling	1 5 to 125°F		
	Heating	-13 to 64°F		
	Simultaneous Cooling/Heating	2 5 to 80°F		
Shipping Data	Net/Shipping weight - 208/230V	761 / 831	761 / 831	761 / 831
	460V	787 / 858	787 / 858	787 / 858
Connectable Indoor Units	Total capacity (%)	50 to 130	50 to 130	50 to 130
	Maximum quantity	13	17	22
Electrical Data		See separate Electrical Data Table for individual outdoor unit data		

<sup>1</sup> Cooling range: -10 to 122°F with optional Low Ambient Kit.

<sup>2</sup> Main heating range: 4 to 68°F.

ELECTRICAL DATA		INDIVIDUAL OUTDOOR UNITS					
Model No.		VRB072H4		VRB096H4		VRB120H4	
		208/230V	460V	208/230V	460V	208/230V	460V
	Line voltage data - 60 hz - 3 phase						
	<sup>1</sup> Maximum Overcurrent Protection (amps)	45	30	45	30	60	30
	<sup>2</sup> Minimum circuit ampacity	39.0	26.8	39.0	28.2	54.0	29.5
Compressor	No. of compressors	1	1	1	1	1	1
	Rated load amps	26.3	19	26.3	20	38.3	21
Outdoor Fan Motor	Motor type	DC	DC	DC	DC	DC	DC
	No. of motors	2	2	2	2	2	2
	Full load amps	2.6/2.9	1.4/1.6	2.9/3.2	1.5/1.7	2.9/3.2	1.5/1.7
	Input - W	680/780	750/850	780/890	820/930	780/890	820/930
	Output - W	580/660	640/720	670/760	700/800	670/760	700/800

NOTES:

In multiple module systems each outdoor unit requires a separate electrical connection:

Incoming voltage must not be above or below these voltage ranges:

208/230V - 182V minimum, 269V maximum

460V - 404V minimum, 530V maximum

<sup>1</sup> HACR type circuit breaker or fuse.

<sup>2</sup> Refer to National or Canadian Electrical Code manual to determine wire, fuse and disconnect size requirements.

SPECIFICATIONS		INDIVIDUAL OUTDOOR UNITS - 12 TON   14 TON   16 TON		
Model No.		VRB144H4	VRB168H4	VRB192H4
	Nominal Size - Tons	12	14	16
<b>Sound Data (dBA)</b>	208/230V	65	67	67
	460V	65	67	67
<b>Refrigerant</b>	Type	R-410A	R-410A	R-410A
	Charge furnished	23 lbs. 8 oz.	23 lbs. 8 oz.	23 lbs. 8 oz.
<b>Compressor</b>	No. and Type	(2) DC inverter	(2) DC inverter	(2) DC inverter
	Crankcase heater - W	(4) 30	(4) 30	(4) 30
	Refrigerant oil type	FVC68D	FVC68D	FVC68D
	Refrigerant oil charge - oz.	37.2	37.2	37.2
<b>Connections - in. (sweat)</b>	Liquid pipe	3/4	3/4	3/4
	Gas pipe (low pressure)	1-1/4	1-1/4	1-1/4
	Gas pipe (high pressure)	1-1/4	1-1/4	1-1/4
	Gas balance pipe (high pressure)	3/4	3/4	3/4
	Oil balance pipe	1/4	1/4	1/4
<b>Outdoor Fans</b>	Quantity, Type and Material	(2) Axial Plastic	(2) Axial Plastic	(2) Axial Plastic
	External Static Pressure - in. w.g.	0 - 0.32	0 - 0.32	0 - 0.32
	Air volume - cfm	12,500	12,500	12,500
	Motor rpm	(2) 850	(2) 850	(2) 850
<b>Outdoor Coil</b>	Number of rows	3	3	3
	Tube pitch (a) × row pitch (b) - in.	7/8 x 3/4	7/8 x 3/4	7/8 x 3/4
	Fin spacing - in.	5/8	5/8	5/8
	Fin type	Hydrophilic aluminum		
	Tube outside diameter - in.	5/16	5/16	5/16
	Tube type	Rifled copper tubing		
	Coil dimension (W × D × H) - in.	49-7/16 x 55-7/16	49-7/16 x 55-7/16	49-7/16 x 55-7/16
	Quantity	2	2	2
Number of circuits	14	14	14	
<b>Design Pressure</b>	High/low	650 / 250	650 / 250	650 / 250
<b>Ambient Temperature Range (°F)</b>	Cooling	1 5 to 125°F		
	Heating	-13 to 64°F		
	Simultaneous Cooling/Heating	2 5 to 80°F		
<b>Shipping Data</b>	Net/Shipping weight - 208/230V	1071 / 1122	1071 / 1122	1071 / 1122
	460V	1089 / 1118	1089 / 1118	1089 / 1118
<b>Connectable Indoor Units</b>	Total capacity (%)	50 to 130	50 to 130	50 to 130
	Maximum quantity	25	29	35
<b>Electrical Data</b>		See separate Electrical Data Table for individual outdoor unit data		

<sup>1</sup> Cooling range: -10 to 122°F with optional Low Ambient Kit.

<sup>2</sup> Main heating range: 4 to 68°F.

ELECTRICAL DATA		INDIVIDUAL OUTDOOR UNITS					
Model No.		VRB144H4		VRB168H4		VRB192H4	
	Line voltage data - 60 hz - 3 phase	<b>208/230V</b>	<b>460V</b>	<b>208/230V</b>	<b>460V</b>	<b>208/230V</b>	<b>460V</b>
	<sup>1</sup> Maximum Overcurrent Protection (amps)	80	40	80	40	80	40
	<sup>2</sup> Minimum circuit ampacity	69.5	37.4	69.5	39	69.5	39.6
<b>Compressor</b>	No. of compressors	2	2	2	2	2	2
	Rated load amps	27.2/27.2	15/14	27.2/27.2	15.5/15	27.2/27.2	16/15
<b>Outdoor Fan Motor</b>	Motor type	DC	DC	DC	DC	DC	DC
	No. of motors	2	2	2	2	2	2
	Full load amps	4.0/4.3	2.2/2.4	4.0/4.3	2.2/2.4	4.0/4.3	2.2/2.4
	Input - W	1200/1200	1200/1200	1200/1200	1200/1200	1200/1200	1200/1200
	Output - W	900/940	900/940	900/940	900/940	900/940	900/940

**NOTES:**

In multiple module systems each outdoor unit requires a separate electrical connection:

Incoming voltage must not be above or below these voltage ranges:

208/230V - 182V minimum, 269V maximum

460V - 404V minimum, 530V maximum

<sup>1</sup> HACR type circuit breaker or fuse.

<sup>2</sup> Refer to National or Canadian Electrical Code manual to determine wire, fuse and disconnect size requirements.

## AHRI RATINGS SINGLE MODULE SYSTEMS - 6 TON | 8 TON

Model No.	Nominal Size - Tons	VRB072H4			VRB096H4		
		6			8		
1 AHRI Ratings	Indoor System Type	Ducted	Non-Ducted	Mixed Ducted and Non-Ducted	Ducted	Non-Ducted	Mixed Ducted and Non-Ducted
		208/230V - 3ph	Cooling - Btuh	69,000	69,000	69,000	92,000
High Temp. Heating - Btuh	77,000		77,000	77,000	103,000	103,000	103,000
Low Temp. Heating - Btuh	58,000		58,000	58,000	72,000	72,000	72,000
EER	13.00		14.80	13.90	12.40	13.20	12.80
IEER	22.80		25.40	24.10	23.00	26.20	24.60
<sup>2</sup> SCHE	27.80		32.80	30.30	28.00	32.50	30.25
Heating COP 47°F (high)	3.84		4.29	4.06	3.80	3.99	3.89
Heating COP 17°F (low)	2.57		2.72	2.64	2.60	2.65	2.62
AHRI Reference Number	202918942		202918941	202918943	202918948	202918947	202918949
460V- 3ph	Cooling - Btuh		69,000	69,000	69,000	92,000	92,000
	High Temp. Heating - Btuh	77,000	77,000	77,000	103,000	103,000	103,000
	Low Temp. Heating - Btuh	58,000	58,000	58,000	72,000	72,000	72,000
	EER	13.00	14.80	13.90	12.40	13.20	12.80
	IEER	22.80	25.40	24.10	23.00	26.20	24.60
	<sup>2</sup> SCHE	27.80	32.80	30.30	28.00	32.50	30.25
	Heating COP 47°F (high)	3.84	4.29	4.06	3.80	3.99	3.89
	Heating COP 17°F (low)	2.57	2.72	2.64	2.60	2.65	2.62
	AHRI Reference Number	202918939	202918938	202918940	202918945	202918944	202918946

NOTE - Per AHRI, the certified ratings for VRF systems are valid for all combinations of indoor units with the specific outdoor units listed above and in the AHRI Directory of Certified Equipment. Please visit [www.ahridirectory.org](http://www.ahridirectory.org) for further details and latest updates.

<sup>1</sup> Ratings are AHRI certified to AHRI Standard 1230-2014;

- Cooling Ratings - 80°F dry bulb/67°F wet bulb entering indoor coil air and 95°F dry bulb/75°F wet bulb outdoor air temperature.
- High Temperature Heating Ratings - 70°F dry bulb/60°F wet bulb entering indoor coil air and 47°F dry bulb/43°F wet bulb outdoor air temperature.
- Low Temperature Heating Ratings - 70°F dry bulb/60°F wet bulb entering indoor coil air and 17°F dry bulb/15°F wet bulb outdoor air temperature.

<sup>2</sup> SCHE - Simultaneous Heating and Cooling Efficiency.

## AHRI RATINGS SINGLE MODULE SYSTEMS - 10 TON | 12 TON

Model No.	Nominal Size - Tons	VRB120H4			VRB144H4		
		10			12		
1 AHRI Ratings	Indoor System Type	Ducted	Non-Ducted	Mixed Ducted and Non-Ducted	Ducted	Non-Ducted	Mixed Ducted and Non-Ducted
		208/230V - 3ph	Cooling - Btuh	115,000	115,000	115,000	138,000
High Temp. Heating - Btuh	129,000		129,000	129,000	154,000	154,000	154,000
Low Temp. Heating - Btuh	84,000		84,000	84,000	109,000	109,000	109,000
EER	12.00		12.00	12.00	12.00	11.70	11.85
IEER	22.60		24.10	23.35	22.00	23.00	22.50
<sup>2</sup> SCHE	30.00		32.00	31.00	28.60	32.10	30.35
Heating COP 47°F (high)	3.64		3.56	3.60	3.60	3.75	3.67
Heating COP 17°F (low)	2.59		2.47	2.53	2.45	2.43	2.44
AHRI Reference Number	202918954		202918953	202918955	202918960	202918959	202918961
460V- 3ph	Cooling - Btuh		115,000	115,000	115,000	138,000	138,000
	High Temp. Heating - Btuh	129,000	129,000	129,000	154,000	154,000	154,000
	Low Temp. Heating - Btuh	84,000	84,000	84,000	109,000	109,000	109,000
	EER	12.00	12.00	12.00	12.00	11.70	11.85
	IEER	22.60	24.10	23.35	22.00	23.00	22.50
	<sup>2</sup> SCHE	30.00	32.00	31.00	28.60	32.10	30.35
	Heating COP 47°F (high)	3.64	3.56	3.60	3.60	3.75	3.67
	Heating COP 17°F (low)	2.59	2.47	2.53	2.45	2.43	2.44
	AHRI Reference Number	202918951	202918950	202918952	202918957	202918956	202918958

NOTE - Per AHRI, the certified ratings for VRF systems are valid for all combinations of indoor units with the specific outdoor units listed above and in the AHRI Directory of Certified Equipment. Please visit [www.ahridirectory.org](http://www.ahridirectory.org) for further details and latest updates.

<sup>1</sup> Ratings are AHRI certified to AHRI Standard 1230-2014;

- Cooling Ratings - 80°F dry bulb/67°F wet bulb entering indoor coil air and 95°F dry bulb/75°F wet bulb outdoor air temperature.
- High Temperature Heating Ratings - 70°F dry bulb/60°F wet bulb entering indoor coil air and 47°F dry bulb/43°F wet bulb outdoor air temperature.
- Low Temperature Heating Ratings - 70°F dry bulb/60°F wet bulb entering indoor coil air and 17°F dry bulb/15°F wet bulb outdoor air temperature.

<sup>2</sup> SCHE - Simultaneous Heating and Cooling Efficiency.



## AHRI RATINGS

## SINGLE MODULE SYSTEMS - 14 TON | 16 TON

Model No.	Nominal Size - Tons	VRB168H4			VRB192H4		
		14			16		
1 AHRI Ratings	Indoor System Type	Ducted	Non-Ducted	Mixed Ducted and Non-Ducted	Ducted	Non-Ducted	Mixed Ducted and Non-Ducted
		208/230V - 3ph	Cooling - Btuh	160,000	160,000	160,000	184,000
High Temp. Heating - Btuh	180,000		180,000	180,000	206,000	206,000	206,000
Low Temp. Heating - Btuh	128,000		128,000	128,000	134,000	134,000	134,000
EER	11.50		11.30	11.40	11.20	10.90	11.05
IEER	21.90		22.00	21.95	21.30	21.20	21.25
2 SCHE	29.20		31.50	30.35	29.50	30.70	30.10
Heating COP 47°F (high)	3.45		3.50	3.47	3.32	3.25	3.28
Heating COP 17°F (low)	2.30		2.24	2.27	2.28	2.25	2.26
AHRI Reference Number	202918966		202918965	202918967	202918972	202918971	202918973
460V- 3ph	Cooling - Btuh		160,000	160,000	160,000	184,000	184,000
	High Temp. Heating - Btuh	180,000	180,000	180,000	206,000	206,000	206,000
	Low Temp. Heating - Btuh	128,000	128,000	128,000	134,000	134,000	134,000
	EER	11.50	11.30	11.40	11.20	10.90	11.05
	IEER	21.90	22.00	21.95	21.30	21.20	21.25
	2 SCHE	29.20	31.50	30.35	29.50	30.70	30.10
	Heating COP 47°F (high)	3.45	3.50	3.47	3.32	3.25	3.28
	Heating COP 17°F (low)	2.30	2.24	2.27	2.28	2.25	2.26
	AHRI Reference Number	202918963	202918962	202918964	202918969	202918968	202918970

NOTE - Per AHRI, the certified ratings for VRF systems are valid for all combinations of indoor units with the specific outdoor units listed above and in the AHRI Directory of Certified Equipment. Please visit [www.ahridirectory.org](http://www.ahridirectory.org) for further details and latest updates.

1 Ratings are AHRI certified to AHRI Standard 1230-2014;

• Cooling Ratings - 80°F dry bulb/67°F wet bulb entering indoor coil air and 95°F dry bulb/75°F wet bulb outdoor air temperature.

• High Temperature Heating Ratings - 70°F dry bulb/60°F wet bulb entering indoor coil air and 47°F dry bulb/43°F wet bulb outdoor air temperature.

• Low Temperature Heating Ratings - 70°F dry bulb/60°F wet bulb entering indoor coil air and 17°F dry bulb/15°F wet bulb outdoor air temperature.

2 SCHE - Simultaneous Heating and Cooling Efficiency.

## AHRI RATINGS

## TWO MODULE SYSTEMS - 18 TON | 20 TON

Model No.	Outdoor Unit Combinations	VRB216H4			VRB240H4		
		(1) VRB120H4 + (1) VRB096H4			(2) VRB120H4		
1 AHRI Ratings	Nominal Size - Tons	18			20		
		Ducted	Non-Ducted	Mixed Ducted and Non-Ducted	Ducted	Non-Ducted	Mixed Ducted and Non-Ducted
208/230V - 3ph	Cooling - Btuh	206,000	206,000	206,000	230,000	230,000	230,000
	High Temp. Heating - Btuh	232,000	232,000	232,000	258,000	258,000	258,000
	Low Temp. Heating - Btuh	164,000	164,000	164,000	182,000	182,000	182,000
	EER	11.60	11.60	11.60	11.10	10.80	10.95
	IEER	20.90	22.30	21.60	20.30	22.00	21.15
	2 SCHE	28.10	31.20	29.65	27.90	30.40	29.15
	Heating COP 47°F (high)	3.54	3.66	3.60	3.37	3.40	3.38
	Heating COP 17°F (low)	2.33	2.36	2.34	2.27	2.16	2.21
	AHRI Reference Number	202918978	202918977	202918979	202918984	202918983	202918985
	460V- 3ph	Cooling - Btuh	206,000	206,000	206,000	230,000	230,000
High Temp. Heating - Btuh		232,000	232,000	232,000	258,000	258,000	258,000
Low Temp. Heating - Btuh		164,000	164,000	164,000	182,000	182,000	182,000
EER		11.60	11.60	11.60	11.10	10.80	10.95
IEER		20.90	22.30	21.60	20.30	22.00	21.15
2 SCHE		28.10	31.20	29.65	27.90	30.40	29.15
Heating COP 47°F (high)		3.54	3.66	3.60	3.37	3.40	3.38
Heating COP 17°F (low)		2.33	2.36	2.34	2.27	2.16	2.21
AHRI Reference Number		202918975	202918974	202918976	202918981	202918980	202918982

NOTE - Per AHRI, the certified ratings for VRF systems are valid for all combinations of indoor units with the specific outdoor units listed above and in the AHRI Directory of Certified Equipment. Please visit [www.ahridirectory.org](http://www.ahridirectory.org) for further details and latest updates.

1 Ratings are AHRI certified to AHRI Standard 1230-2014;

• Cooling Ratings - 80°F dry bulb/67°F wet bulb entering indoor coil air and 95°F dry bulb/75°F wet bulb outdoor air temperature.

• High Temperature Heating Ratings - 70°F dry bulb/60°F wet bulb entering indoor coil air and 47°F dry bulb/43°F wet bulb outdoor air temperature.

• Low Temperature Heating Ratings - 70°F dry bulb/60°F wet bulb entering indoor coil air and 17°F dry bulb/15°F wet bulb outdoor air temperature.

2 SCHE - Simultaneous Heating and Cooling Efficiency.

## AHRI RATINGS TWO MODULE SYSTEMS - 22 TON | 24 TON

Model No.		VRB264H4			VRB288H4			
Outdoor Unit Combinations		(1) VRB144H4 + (1) VRB120H4			(1) VRB168H4 + (1) VRB120H4			
Nominal Size - Tons		22			24			
<sup>1</sup> AHRI Ratings	Indoor System Type	Ducted	Non-Ducted	Mixed Ducted and Non-Ducted	Ducted	Non-Ducted	Mixed Ducted and Non-Ducted	
208/230V - 3ph	Cooling - Btuh	252,000	252,000	252,000	276,000	276,000	276,000	
	High Temp. Heating - Btuh	282,000	282,000	282,000	308,000	308,000	308,000	
	Low Temp. Heating - Btuh	200,000	200,000	200,000	210,000	210,000	210,000	
	EER	11.20	11.50	11.35	10.50	10.90	10.70	
	IEER	21.60	22.10	21.85	20.80	21.30	21.05	
	<sup>2</sup> SCHE	28.20	31.20	29.70	27.60	29.70	28.65	
	Heating COP 47°F (high)	3.50	3.61	3.55	3.42	3.46	3.44	
	Heating COP 17°F (low)	2.40	2.40	2.40	2.30	2.33	2.31	
	AHRI Reference Number		202918990	202918989	202918991	202918996	202918995	202918997
	460V- 3ph	Cooling - Btuh	252,000	252,000	252,000	276,000	276,000	276,000
High Temp. Heating - Btuh		282,000	282,000	282,000	308,000	308,000	308,000	
Low Temp. Heating - Btuh		200,000	200,000	200,000	210,000	210,000	210,000	
EER		11.20	11.50	11.35	10.50	10.90	10.70	
IEER		21.60	22.10	21.85	20.80	21.30	21.05	
<sup>2</sup> SCHE		28.20	31.20	29.70	27.60	29.70	28.65	
Heating COP 47°F (high)		3.50	3.61	3.55	3.42	3.46	3.44	
Heating COP 17°F (low)		2.40	2.40	2.40	2.30	2.33	2.31	
AHRI Reference Number			202918987	202918986	202918988	202918993	202918992	202918994

NOTE - Per AHRI, the certified ratings for VRF systems are valid for all combinations of indoor units with the specific outdoor units listed above and in the AHRI Directory of Certified Equipment. Please visit [www.ahridirectory.org](http://www.ahridirectory.org) for further details and latest updates.

<sup>1</sup> Ratings are AHRI certified to AHRI Standard 1230-2014;

• Cooling Ratings - 80°F dry bulb/67°F wet bulb entering indoor coil air and 95°F dry bulb/75°F wet bulb outdoor air temperature.

• High Temperature Heating Ratings - 70°F dry bulb/60°F wet bulb entering indoor coil air and 47°F dry bulb/43°F wet bulb outdoor air temperature.

• Low Temperature Heating Ratings - 70°F dry bulb/60°F wet bulb entering indoor coil air and 17°F dry bulb/15°F wet bulb outdoor air temperature.

<sup>2</sup> SCHE - Simultaneous Heating and Cooling Efficiency.

## AHRI RATINGS TWO MODULE SYSTEMS - 26 TON | 28 TON

Model No.		VRB312H4			VRB336H4			
Outdoor Unit Combinations		(1) VRB192H4 + (1) VRB120H4			(2) VRB168H4			
Nominal Size - Tons		26			28			
<sup>1</sup> AHRI Ratings	Indoor System Type	Ducted	Non-Ducted	Mixed Ducted and Non-Ducted	Ducted	Non-Ducted	Mixed Ducted and Non-Ducted	
208/230V - 3ph	Cooling - Btuh	298,000	298,000	298,000	320,000	320,000	320,000	
	High Temp. Heating - Btuh	334,000	334,000	334,000	360,000	360,000	360,000	
	Low Temp. Heating - Btuh	222,000	222,000	222,000	244,000	244,000	244,000	
	EER	10.00	10.50	10.25	10.40	10.60	10.50	
	IEER	20.40	20.40	20.40	19.30	20.60	19.95	
	<sup>2</sup> SCHE	25.60	28.20	26.90	24.90	28.00	26.45	
	Heating COP 47°F (high)	3.30	3.25	3.27	3.39	3.30	3.34	
	Heating COP 17°F (low)	2.24	2.19	2.21	2.38	2.30	2.34	
	AHRI Reference Number		202919002	202919001	202919003	202919008	202919007	202919009
	460V- 3ph	Cooling - Btuh	298,000	298,000	298,000	320,000	320,000	320,000
High Temp. Heating - Btuh		334,000	334,000	334,000	360,000	360,000	360,000	
Low Temp. Heating - Btuh		222,000	222,000	222,000	244,000	244,000	244,000	
EER		10.00	10.50	10.25	10.40	10.60	10.50	
IEER		20.40	20.40	20.40	19.30	20.60	19.95	
<sup>2</sup> SCHE		25.60	28.20	26.90	24.90	28.00	26.45	
Heating COP 47°F (high)		3.30	3.25	3.27	3.39	3.30	3.34	
Heating COP 17°F (low)		2.24	2.19	2.21	2.38	2.30	2.34	
AHRI Reference Number			202918999	202918998	202919000	202919005	202919004	202919006

NOTE - Per AHRI, the certified ratings for VRF systems are valid for all combinations of indoor units with the specific outdoor units listed above and in the AHRI Directory of Certified Equipment. Please visit [www.ahridirectory.org](http://www.ahridirectory.org) for further details and latest updates.

<sup>1</sup> Ratings are AHRI certified to AHRI Standard 1230-2014;

• Cooling Ratings - 80°F dry bulb/67°F wet bulb entering indoor coil air and 95°F dry bulb/75°F wet bulb outdoor air temperature.

• High Temperature Heating Ratings - 70°F dry bulb/60°F wet bulb entering indoor coil air and 47°F dry bulb/43°F wet bulb outdoor air temperature.

• Low Temperature Heating Ratings - 70°F dry bulb/60°F wet bulb entering indoor coil air and 17°F dry bulb/15°F wet bulb outdoor air temperature.

<sup>2</sup> SCHE - Simultaneous Heating and Cooling Efficiency.

## AHRI RATINGS

## TWO MODULE SYSTEMS - 30 TON | 32 TON

Model No. Outdoor Unit Combinations		VRB360H4			VRB384H4			
		(1) VRB192H4 + (1) VRB168H4			(2) VRB192H4			
		30			32			
Nominal Size - Tons	Indoor System Type	Ducted	Non-Ducted	Mixed Ducted and Non-Ducted	Ducted	Non-Ducted	Mixed Ducted and Non-Ducted	
		<sup>1</sup> AHRI Ratings	208/230V - 3ph	Cooling - Btuh	344,000	344,000	344,000	366,000
	High Temp. Heating - Btuh		380,000	380,000	380,000	396,000	396,000	396,000
	Low Temp. Heating - Btuh		258,000	258,000	258,000	266,000	266,000	266,000
	EER		9.90	9.90	9.90	9.50	9.50	9.50
	IEER		18.60	19.50	19.05	18.40	19.30	18.85
	<sup>2</sup> SCHE		24.40	26.10	25.25	23.90	24.90	24.40
	Heating COP 47°F (high)		3.35	3.20	3.27	3.32	3.20	3.26
	Heating COP 17°F (low)		2.33	2.29	2.31	2.30	2.28	2.29
	AHRI Reference Number		202919014	202919013	202919015	202919020	202919019	202919021
460V- 3ph	Cooling - Btuh		344,000	344,000	344,000	366,000	366,000	366,000
	High Temp. Heating - Btuh		380,000	380,000	380,000	396,000	396,000	396,000
	Low Temp. Heating - Btuh		258,000	258,000	258,000	266,000	266,000	266,000
	EER		9.90	9.90	9.90	9.50	9.50	9.50
	IEER		18.60	19.50	19.05	18.40	19.30	18.85
	<sup>2</sup> SCHE	24.40	26.10	25.25	23.90	24.90	24.40	
	Heating COP 47°F (high)	3.35	3.20	3.27	3.32	3.20	3.26	
	Heating COP 17°F (low)	2.33	2.29	2.31	2.30	2.28	2.29	
	AHRI Reference Number	202919011	202919010	202919012	202919017	202919016	202919018	

NOTE - Per AHRI, the certified ratings for VRF systems are valid for all combinations of indoor units with the specific outdoor units listed above and in the AHRI Directory of Certified Equipment. Please visit [www.ahridirectory.org](http://www.ahridirectory.org) for further details and latest updates.

<sup>1</sup> Ratings are AHRI certified to AHRI Standard 1230-2014;

• Cooling Ratings - 80°F dry bulb/67°F wet bulb entering indoor coil air and 95°F dry bulb/75°F wet bulb outdoor air temperature.

• High Temperature Heating Ratings - 70°F dry bulb/60°F wet bulb entering indoor coil air and 47°F dry bulb/43°F wet bulb outdoor air temperature.

• Low Temperature Heating Ratings - 70°F dry bulb/60°F wet bulb entering indoor coil air and 17°F dry bulb/15°F wet bulb outdoor air temperature.

<sup>2</sup> SCHE - Simultaneous Heating and Cooling Efficiency.

## AHRI RATINGS

## THREE MODULE SYSTEMS - 34 TON | 36 TON

Model No. Outdoor Unit Combinations		VRB408H4			VRB432H4			
		(1) VRB168H4 + (2) VRB120H4			(1) VRB168H4 +(1) VRB144H4 + 1) VRB120H4			
		34			36			
Nominal Size - Tons	Indoor System Type	Ducted	Non-Ducted	Mixed Ducted and Non-Ducted	Ducted	Non-Ducted	Mixed Ducted and Non-Ducted	
		<sup>1</sup> AHRI Ratings	208/230V - 3ph	Cooling - Btuh	390,000	390,000	390,000	416,000
	High Temp. Heating - Btuh		436,000	436,000	436,000	460,000	460,000	460,000
	Low Temp. Heating - Btuh		294,000	294,000	294,000	312,000	312,000	312,000
	EER		9.50	9.50	9.50	9.50	9.50	9.50
	IEER		18.70	18.40	18.55	18.40	18.30	18.35
	<sup>2</sup> SCHE		22.60	23.00	22.80	22.20	22.50	22.35
	Heating COP 47°F (high)		3.21	3.20	3.20	3.28	3.20	3.24
	Heating COP 17°F (low)		2.23	2.11	2.17	2.23	2.11	2.17
	AHRI Reference Number		202919026	202919025	202919027	202919032	202919031	202919033
460V- 3ph	Cooling - Btuh		390,000	390,000	390,000	416,000	416,000	416,000
	High Temp. Heating - Btuh		436,000	436,000	436,000	460,000	460,000	460,000
	Low Temp. Heating - Btuh		294,000	294,000	294,000	312,000	312,000	312,000
	EER		9.50	9.50	9.50	9.50	9.50	9.50
	IEER		18.70	18.40	18.55	18.40	18.30	18.35
	<sup>2</sup> SCHE	22.60	23.00	22.80	22.20	22.50	22.35	
	Heating COP 47°F (high)	3.21	3.20	3.20	3.28	3.20	3.24	
	Heating COP 17°F (low)	2.23	2.11	2.17	2.23	2.11	2.17	
	AHRI Reference Number	202919023	202919022	202919024	202919029	202919028	202919030	

NOTE - Per AHRI, the certified ratings for VRF systems are valid for all combinations of indoor units with the specific outdoor units listed above and in the AHRI Directory of Certified Equipment. Please visit [www.ahridirectory.org](http://www.ahridirectory.org) for further details and latest updates.

<sup>1</sup> Ratings are AHRI certified to AHRI Standard 1230-2014;

• Cooling Ratings - 80°F dry bulb/67°F wet bulb entering indoor coil air and 95°F dry bulb/75°F wet bulb outdoor air temperature.

• High Temperature Heating Ratings - 70°F dry bulb/60°F wet bulb entering indoor coil air and 47°F dry bulb/43°F wet bulb outdoor air temperature.

• Low Temperature Heating Ratings - 70°F dry bulb/60°F wet bulb entering indoor coil air and 17°F dry bulb/15°F wet bulb outdoor air temperature.

<sup>2</sup> SCHE - Simultaneous Heating and Cooling Efficiency.

## AHRI RATINGS THREE MODULE SYSTEMS - 38 TON | 40 TON

Model No.		VRB456H4			VRB480H4			
Outdoor Unit Combinations		(1) VRB168H4 + (2) VRB144H4			(2) VRB168H4 + (1) VRB144H4			
Nominal Size - Tons		38			40			
<sup>1</sup> AHRI Ratings	Indoor System Type	Ducted	Non-Ducted	Mixed Ducted and Non-Ducted	Ducted	Non-Ducted	Mixed Ducted and Non-Ducted	
	208/230V - 3ph	Cooling - Btuh	436,000	436,000	436,000	456,000	456,000	456,000
High Temp. Heating - Btuh		490,000	490,000	490,000	510,000	510,000	510,000	
Low Temp. Heating - Btuh		322,000	322,000	322,000	346,000	346,000	346,000	
EER		9.50	9.50	9.50	9.30	9.30	9.30	
IEER		17.30	18.60	17.95	16.80	18.40	17.60	
<sup>2</sup> SCHE		21.50	21.90	21.70	21.10	21.30	21.20	
Heating COP 47°F (high)		3.20	3.20	3.20	3.20	3.20	3.20	
Heating COP 17°F (low)		2.30	2.30	2.30	2.25	2.25	2.25	
AHRI Reference Number			202919038	202919037	202919039	202919044	202919043	202919045
460V- 3ph		Cooling - Btuh	436,000	436,000	436,000	456,000	456,000	456,000
	High Temp. Heating - Btuh	490,000	490,000	490,000	510,000	510,000	510,000	
	Low Temp. Heating - Btuh	322,000	322,000	322,000	346,000	346,000	346,000	
	EER	9.50	9.50	9.50	9.30	9.30	9.30	
	IEER	17.30	18.60	17.95	16.80	18.40	17.60	
	<sup>2</sup> SCHE	21.50	21.90	21.70	21.10	21.30	21.20	
	Heating COP 47°F (high)	3.20	3.20	3.20	3.20	3.20	3.20	
	Heating COP 17°F (low)	2.30	2.30	2.30	2.25	2.25	2.25	
	AHRI Reference Number		202919035	202919034	202919036	202919041	202919040	202919042

NOTE - Per AHRI, the certified ratings for VRF systems are valid for all combinations of indoor units with the specific outdoor units listed above and in the AHRI Directory of Certified Equipment. Please visit [www.ahridirectory.org](http://www.ahridirectory.org) for further details and latest updates.

<sup>1</sup> Ratings are AHRI certified to AHRI Standard 1230-2014;

- Cooling Ratings - 80°F dry bulb/67°F wet bulb entering indoor coil air and 95°F dry bulb/75°F wet bulb outdoor air temperature.
- High Temperature Heating Ratings - 70°F dry bulb/60°F wet bulb entering indoor coil air and 47°F dry bulb/43°F wet bulb outdoor air temperature.
- Low Temperature Heating Ratings - 70°F dry bulb/60°F wet bulb entering indoor coil air and 17°F dry bulb/15°F wet bulb outdoor air temperature.

<sup>2</sup> SCHE - Simultaneous Heating and Cooling Efficiency.

## AHRI RATINGS THREE MODULE SYSTEMS - 41 TON

Model No.		VRB504H4			
Outdoor Unit Combinations		(3) VRB168H4			
Nominal Size - Tons		41			
<sup>1</sup> AHRI Ratings	Indoor System Type	Ducted	Non-Ducted	Mixed Ducted and Non-Ducted	
	208/230V - 3ph	Cooling - Btuh	470,000	470,000	470,000
High Temp. Heating - Btuh		512,000	512,000	512,000	
Low Temp. Heating - Btuh		352,000	352,000	352,000	
EER		9.30	9.30	9.30	
IEER		16.30	17.60	16.95	
<sup>2</sup> SCHE		20.70	20.00	20.35	
Heating COP 47°F (high)		3.20	3.20	3.20	
Heating COP 17°F (low)		2.23	2.20	2.21	
AHRI Reference Number			202919050	202919049	202919051
460V- 3ph		Cooling - Btuh	470,000	470,000	470,000
	High Temp. Heating - Btuh	512,000	512,000	512,000	
	Low Temp. Heating - Btuh	352,000	352,000	352,000	
	EER	9.30	9.30	9.30	
	IEER	16.30	17.60	16.95	
	<sup>2</sup> SCHE	20.70	20.00	20.35	
	Heating COP 47°F (high)	3.20	3.20	3.20	
	Heating COP 17°F (low)	2.23	2.20	2.21	
	AHRI Reference Number		202919047	202919046	202919048

NOTE - Per AHRI, the certified ratings for VRF systems are valid for all combinations of indoor units with the specific outdoor units listed above and in the AHRI Directory of Certified Equipment. Please visit [www.ahridirectory.org](http://www.ahridirectory.org) for further details and latest updates.

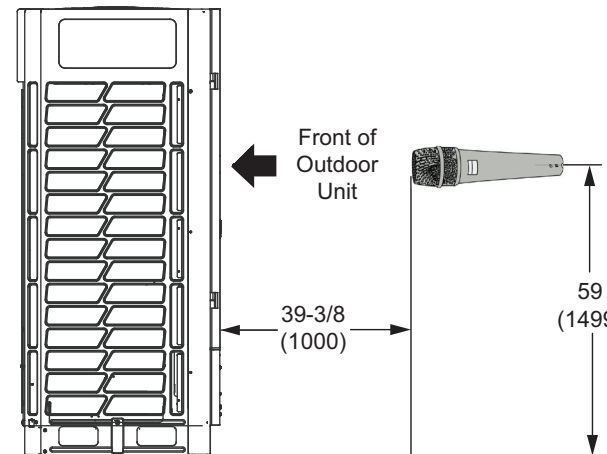
<sup>1</sup> Ratings are AHRI certified to AHRI Standard 1230-2014;

- Cooling Ratings - 80°F dry bulb/67°F wet bulb entering indoor coil air and 95°F dry bulb/75°F wet bulb outdoor air temperature.
- High Temperature Heating Ratings - 70°F dry bulb/60°F wet bulb entering indoor coil air and 47°F dry bulb/43°F wet bulb outdoor air temperature.
- Low Temperature Heating Ratings - 70°F dry bulb/60°F wet bulb entering indoor coil air and 17°F dry bulb/15°F wet bulb outdoor air temperature.

<sup>2</sup> SCHE - Simultaneous Heating and Cooling Efficiency.

## SOUND DATA

### SOUND LEVELS



#### NOTES:

- Data is valid at free field condition
- Data is valid at nominal operating condition
- Sound level will vary depending on a range of factors such as the construction (acoustic absorption coefficient) of particular room in which the equipment is installed
- Sound level can be increased in static pressure mode or used air guide.

Model	Sound Pressure Levels (dBA)	
	208/230V	460V
072	62	65
096	64	68
120	65	69
144	65	65
168	67	67
192	67	67
216	68	72
240	69	73
264	69	71
288	70	72
312	70	72
336	71	71
360	71	71
384	71	71
408	71	74
432	71	73
456	71	71
480	72	72
504	72	72



## SOUND DATA

### VRB072H4 SINGLE MODULE

Unit Side	Mode	Voltage	Octave Linear Band Sound Power Levels dBA, re 10 <sup>-12</sup> Watts									Sound Rating Number dB(A)
			Center Frequency - HZ									
			31.5	63	125	250	500	1000	2000	4000	8000	
1	Cooling	230V	66.0	70.5	71.9	64.1	58.3	54.7	48.8	43.7	36.9	61.6
2	Cooling	230V	65.8	71.8	69.7	65.6	62.8	58.2	55.1	49.6	44.6	64.6
3	Cooling	230V	69.2	73.8	70.2	66.5	64.6	59.9	57.4	51.6	45.9	66.0
4	Cooling	230V	65.2	68.7	72.8	66.5	61.1	57.7	52.4	46.2	40.0	64.0
1	Heating	230V	71.5	71.8	73.2	65.1	61.6	57.5	52.9	46.0	38.8	63.9
2	Heating	230V	70.9	72.9	70.8	66.8	64.4	60.1	58.8	52.1	44.4	66.6
3	Heating	230V	72.8	75.2	71.7	66.9	65.8	61.6	59.7	52.9	46.5	67.6
4	Heating	230V	70.6	69.8	73.4	66.3	63.2	59.2	55.2	50.3	40.5	65.3
1	Cooling	460V	70.2	69.9	71.5	63.0	58.7	55.2	50.7	43.5	40.9	61.6
2	Cooling	460V	69.0	67.5	69.1	65.8	62.7	59.1	57.9	52.1	45.7	65.4
3	Cooling	460V	70.2	71.6	69.5	65.4	63.5	60.6	61.5	53.1	49.3	67.0
4	Cooling	460V	71.1	68.0	71.4	65.3	61.4	57.8	53.7	51.3	46.5	64.0
1	Heating	460V	70.5	72.7	72.7	65.1	61.2	56.9	51.8	45.4	38.1	63.5
2	Heating	460V	69.4	71.3	72.8	67.4	64.5	62.4	59.3	55.9	44.8	67.8
3	Heating	460V	72.0	74.7	70.1	69.2	65.2	62.5	62.8	55.9	46.2	68.8
4	Heating	460V	68.4	70.2	71.6	65.2	63.3	59.7	55.0	49.5	42.0	65.1

NOTES - The octave sound power data does not include tonal corrections. Sound Rating Number tested according to AHRI Standard 370 (includes pure tone penalty).  
 "SRN" is the overall A-Weighted Sound Power Level, (LWA), dB (100 Hz to 10,000 Hz).  
 31.5 and 63HZ band is not certified and is usually lower than reported.

### VRB096H4 SINGLE MODULE

Unit Side	Mode	Voltage	Octave Linear Band Sound Power Levels dBA, re 10 <sup>-12</sup> Watts									Sound Rating Number dB(A)
			Center Frequency - HZ									
			31.5	63	125	250	500	1000	2000	4000	8000	
1	Cooling	230V	68.4	72.8	73.7	66.2	60.0	56.6	51.5	44.4	38.7	63.4
2	Cooling	230V	66.8	72.8	71.9	67.8	64.9	60.2	58.3	52.5	45.3	66.8
3	Cooling	230V	70.6	75.2	71.7	66.7	65.0	61.7	59.5	53.3	47.5	67.2
4	Cooling	230V	65.2	71.1	74.4	68.1	62.3	59.4	54.6	48.9	42.7	65.4
1	Heating	230V	72.2	74.3	74.7	68.1	62.7	58.6	54.1	47.0	40.1	65.3
2	Heating	230V	72.6	74.0	72.9	69.2	66.5	61.6	60.7	54.9	46.3	68.4
3	Heating	230V	74.3	77.4	72.4	69.4	68.2	63.5	62.4	55.8	49.5	69.8
4	Heating	230V	73.5	71.7	75.0	68.9	65.4	61.1	58.3	52.6	43.6	67.6
1	Cooling	460V	71.5	70.8	73.8	65.4	60.6	56.6	52.0	45.6	42.4	63.4
2	Cooling	460V	69.3	70.3	71.0	68.9	65.0	60.6	59.6	51.9	47.0	67.2
3	Cooling	460V	71.0	72.4	70.5	67.7	64.8	62.0	60.5	54.2	50.9	67.6
4	Cooling	460V	69.8	68.5	73.5	66.8	62.5	59.5	54.6	51.2	48.9	65.3
1	Heating	460V	70.5	73.9	75.3	66.4	62.0	58.9	53.8	47.9	39.4	65.0
2	Heating	460V	70.5	74.0	74.3	70.4	66.6	63.4	62.0	59.7	47.8	69.8
3	Heating	460V	73.5	76.2	72.5	69.7	66.4	64.3	63.0	57.4	49.5	69.8
4	Heating	460V	67.1	71.0	73.8	68.3	65.1	61.4	56.5	51.1	42.3	67.0

NOTES - The octave sound power data does not include tonal corrections. Sound Rating Number tested according to AHRI Standard 370 (includes pure tone penalty).  
 "SRN" is the overall A-Weighted Sound Power Level, (LWA), dB (100 Hz to 10,000 Hz).  
 31.5 and 63HZ band is not certified and is usually lower than reported.

## SOUND DATA

### VRB120H4 SINGLE MODULE

Unit Side	Mode	Voltage	Octave Linear Band Sound Power Levels dBA, re 10 <sup>-12</sup> Watts Center Frequency - HZ									Sound Rating Number dB(A)
			31.5	63	125	250	500	1000	2000	4000	8000	
1	Cooling	230V	67.6	72.6	76.0	68.1	61.7	57.6	53.1	45.8	39.8	65.0
2	Cooling	230V	67.2	72.5	74.2	69.4	66.9	61.2	60.9	53.0	46.4	68.5
3	Cooling	230V	70.7	75.8	70.4	67.8	66.0	62.6	62.5	55.4	48.1	68.7
4	Cooling	230V	65.7	71.9	74.8	70.8	63.8	60.5	56.1	49.7	42.9	66.8
1	Heating	230V	72.3	74.2	75.9	69.8	62.6	59.4	54.8	49.8	45.8	66.2
2	Heating	230V	72.9	75.2	76.9	71.5	66.6	62.9	63.2	58.7	48.6	70.2
3	Heating	230V	74.6	78.9	72.0	69.5	67.9	64.5	65.2	57.7	49.1	70.9
4	Heating	230V	73.2	72.8	74.6	69.5	66.6	62.2	58.3	52.1	44.6	68.1
1	Cooling	460V	70.9	71.7	75.8	66.9	61.2	58.0	54.7	47.6	43.8	65.1
2	Cooling	460V	70.6	73.7	75.6	71.6	66.5	62.3	62.6	54.0	47.7	69.5
3	Cooling	460V	72.3	75.6	70.5	68.5	66.3	63.0	65.1	57.0	52.2	70.1
4	Cooling	460V	69.6	69.8	74.7	68.6	64.3	60.8	57.3	52.7	49.9	67.0
1	Heating	460V	74.1	76.0	75.6	68.0	64.3	61.4	55.9	49.7	41.8	66.9
2	Heating	460V	76.2	77.6	76.4	69.9	67.5	64.4	62.7	55.7	46.3	70.1
3	Heating	460V	76.0	80.1	70.6	70.0	69.3	66.9	64.9	57.2	48.8	71.9
4	Heating	460V	75.4	73.8	72.4	70.3	68.1	64.0	58.9	51.9	44.5	69.3

NOTES - The octave sound power data does not include tonal corrections. Sound Rating Number tested according to AHRI Standard 370 (includes pure tone penalty).  
 "SRN" is the overall A-Weighted Sound Power Level, (LWA), dB (100 Hz to 10,000 Hz).  
 31.5 and 63HZ band is not certified and is usually lower than reported.

### VRB144H4 SINGLE MODULE

Unit Side	Mode	Voltage	Octave Linear Band Sound Power Levels dBA, re 10 <sup>-12</sup> Watts Center Frequency - HZ									Sound Rating Number dB(A)
			31.5	63	125	250	500	1000	2000	4000	8000	
1	Cooling	230V	70.6	71.8	67.0	61.3	59.2	55.2	48.4	41.4	37.2	60.4
2	Cooling	230V	72.1	74.0	68.1	62.5	61.0	58.3	54.2	48.3	46.4	63.3
3	Cooling	230V	71.5	74.6	66.4	63.8	63.0	60.3	56.2	51.7	47.9	65.1
4	Cooling	230V	70.7	71.8	69.8	63.3	60.9	57.7	51.3	44.6	40.9	62.6
1	Heating	230V	76.2	78.9	68.8	65.1	63.6	59.3	53.1	47.0	41.4	64.6
2	Heating	230V	72.2	71.7	69.2	65.5	64.7	62.1	58.2	53.3	46.8	66.8
3	Heating	230V	78.0	82.0	69.9	67.1	67.0	64.2	60.4	57.1	48.3	69.1
4	Heating	230V	75.9	78.7	67.4	66.7	64.2	60.8	54.5	47.8	41.8	65.6
1	Cooling	460V	73.6	76.5	68.5	62.4	59.5	55.5	49.3	42.8	37.0	61.1
2	Cooling	460V	71.0	72.3	66.9	62.3	61.2	58.4	53.9	49.5	43.0	63.2
3	Cooling	460V	73.9	77.7	66.7	64.4	63.1	60.3	55.8	52.4	46.4	65.2
4	Cooling	460V	72.1	74.5	70.7	62.8	61.0	57.6	51.2	45.6	41.3	62.8
1	Heating	460V	69.8	69.6	73.8	64.5	62.7	58.6	51.6	46.0	39.7	64.1
2	Heating	460V	72.5	73.1	70.2	65.1	64.3	61.3	57.2	54.4	47.5	66.4
3	Heating	460V	70.3	71.9	70.4	67.4	67.3	63.4	59.5	57.6	49.0	68.9
4	Heating	460V	72.7	72.4	71.8	65.2	63.6	60.1	54.0	50.7	43.9	65.2

NOTES - The octave sound power data does not include tonal corrections. Sound Rating Number tested according to AHRI Standard 370 (includes pure tone penalty).  
 "SRN" is the overall A-Weighted Sound Power Level, (LWA), dB (100 Hz to 10,000 Hz).  
 31.5 and 63HZ band is not certified and is usually lower than reported.

## SOUND DATA

### VRB168H4 SINGLE MODULE

Unit Side	Mode	Voltage	Octave Linear Band Sound Power Levels dBA, re 10 <sup>-12</sup> Watts									Sound Rating Number dB(A)
			Center Frequency - HZ									
			31.5	63	125	250	500	1000	2000	4000	8000	
1	Cooling	230V	68.8	67.1	72.9	62.8	60.8	56.6	50.4	43.5	37.9	62.5
2	Cooling	230V	68.2	65.2	67.8	64.1	62.5	59.9	57.1	51.7	47.1	65.0
3	Cooling	230V	68.7	72.8	68.3	65.4	65.0	62.0	59.0	54.7	48.7	67.1
4	Cooling	230V	70.6	74.0	67.8	64.5	62.6	59.3	53.5	49.5	41.6	64.2
1	Heating	230V	72.1	70.8	74.1	66.9	64.7	60.6	54.3	49.1	42.1	66.2
2	Heating	230V	71.0	72.9	73.3	66.8	66.0	63.4	60.9	57.6	46.7	68.8
3	Heating	230V	70.9	74.6	73.4	68.9	68.6	65.6	62.1	57.2	48.7	70.6
4	Heating	230V	71.1	72.1	70.3	69.0	65.4	62.0	56.0	49.1	43.0	67.0
1	Cooling	460V	68.8	65.9	71.6	63.4	60.7	56.6	50.3	43.6	38.2	62.3
2	Cooling	460V	68.4	63.3	66.4	64.4	63.1	60.0	55.4	51.7	44.7	64.8
3	Cooling	460V	68.7	70.9	66.4	65.8	64.9	62.1	57.9	54.8	48.3	66.8
4	Cooling	460V	69.9	71.2	67.2	64.5	62.3	59.2	52.8	49.0	42.8	64.0
1	Heating	460V	71.9	74.6	73.3	66.9	63.6	60.1	53.3	49.2	42.5	65.5
2	Heating	460V	73.4	77.1	71.8	68.2	66.8	63.1	59.4	59.6	50.0	69.0
3	Heating	460V	73.8	80.0	71.5	69.8	68.1	65.2	61.8	62.0	51.6	70.9
4	Heating	460V	71.8	71.2	71.5	68.1	66.3	62.3	55.6	52.3	45.1	67.5

NOTES - The octave sound power data does not include tonal corrections. Sound Rating Number tested according to AHRI Standard 370 (includes pure tone penalty).  
 "SRN" is the overall A-Weighted Sound Power Level, (LWA), dB (100 Hz to 10,000 Hz).  
 31.5 and 63HZ band is not certified and is usually lower than reported.

### VRB192H4 SINGLE MODULE

Unit Side	Mode	Voltage	Octave Linear Band Sound Power Levels dBA, re 10 <sup>-12</sup> Watts									Sound Rating Number dB(A)
			Center Frequency - HZ									
			31.5	63	125	250	500	1000	2000	4000	8000	
1	Cooling	230V	70.7	76.9	74.8	63.6	61.7	57.9	51.4	46.0	39.1	63.8
2	Cooling	230V	70.4	76.3	68.4	64.4	63.6	61.1	56.9	53.9	47.2	65.9
3	Cooling	230V	74.0	82.1	69.8	66.4	65.5	63.2	59.5	59.4	49.6	68.5
4	Cooling	230V	69.2	73.3	69.3	65.3	63.7	60.5	54.3	48.3	42.3	65.2
1	Heating	230V	73.8	79.8	73.8	67.1	65.5	61.2	55.0	48.8	42.3	66.9
2	Heating	230V	69.7	73.1	74.8	67.9	66.7	64.1	62.1	55.0	47.0	69.5
3	Heating	230V	76.2	84.1	73.9	71.2	68.9	66.4	62.8	58.0	49.3	71.6
4	Heating	230V	73.1	80.5	71.1	70.6	66.6	62.9	57.1	49.3	43.5	68.4
1	Cooling	460V	69.2	70.0	72.5	64.6	61.7	57.8	51.7	44.8	39.0	63.5
2	Cooling	460V	68.5	66.6	68.1	64.9	63.8	61.0	57.2	53.7	46.6	66.0
3	Cooling	460V	70.0	76.3	68.2	67.2	65.7	63.3	59.3	56.6	49.5	68.1
4	Cooling	460V	70.2	73.4	68.6	65.7	63.6	60.3	54.4	48.4	44.5	65.2
1	Heating	460V	71.0	71.8	73.8	66.9	64.6	60.6	54.4	49.1	42.7	66.2
2	Heating	460V	72.1	73.3	73.4	68.4	67.8	63.6	61.6	58.8	49.8	69.8
3	Heating	460V	72.4	78.9	70.8	69.8	70.1	66.4	62.5	60.6	52.0	71.8
4	Heating	460V	74.0	75.5	73.1	68.3	65.8	63.0	57.0	52.0	45.7	67.8

NOTES - The octave sound power data does not include tonal corrections. Sound Rating Number tested according to AHRI Standard 370 (includes pure tone penalty).  
 "SRN" is the overall A-Weighted Sound Power Level, (LWA), dB (100 Hz to 10,000 Hz).  
 31.5 and 63HZ band is not certified and is usually lower than reported.

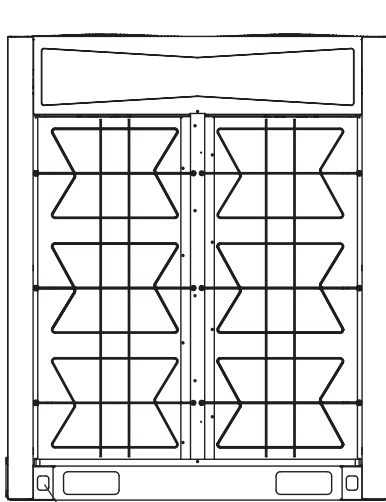
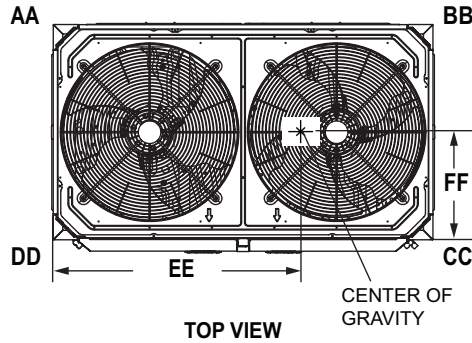
**DIMENSIONS - UNIT**

**VRB072 | VRB096 | VRB120**

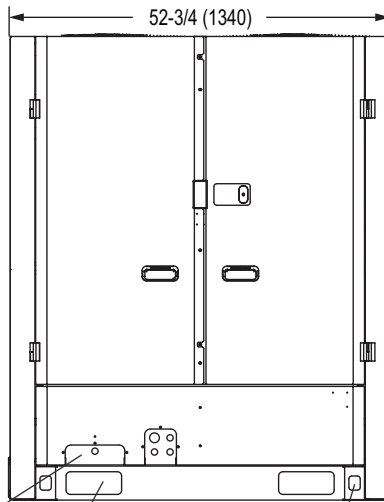
**CORNER WEIGHTS**

**CENTER OF GRAVITY**

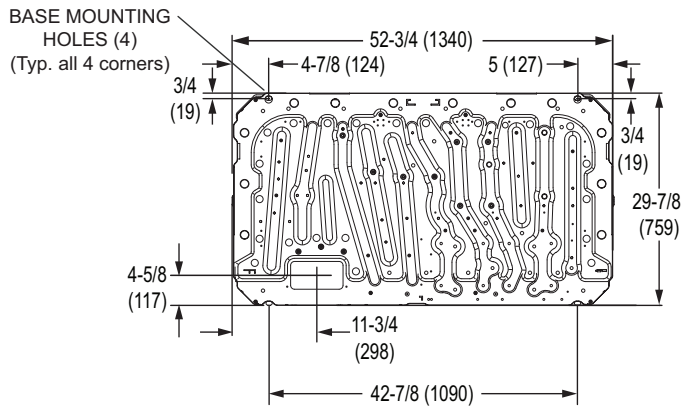
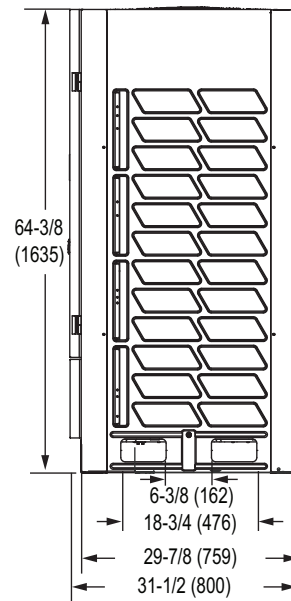
Model No.	AA		BB		CC		DD		EE		FF	
	lbs.	kg	lbs.	kg	lbs.	kg	lbs.	kg	in.	mm	in.	mm
VRB072, 096, 120	121	55	203	92	211	96	251	114	27-3/4	705	12-1/4	311



LAG BOLT DESIGNATION (BOTH SIDES) (TO ACCESS LAG BOLT)



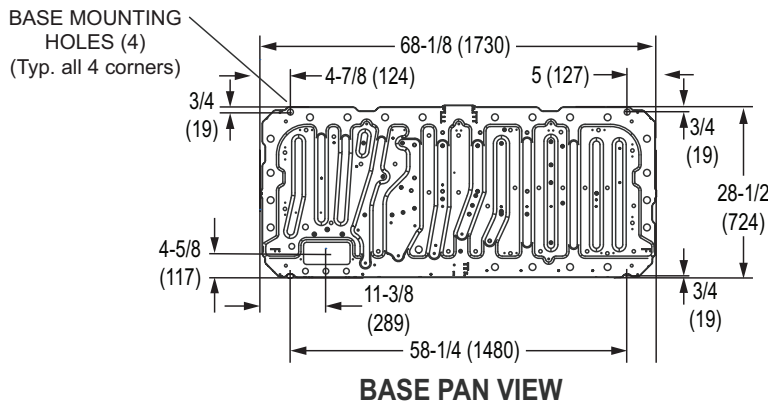
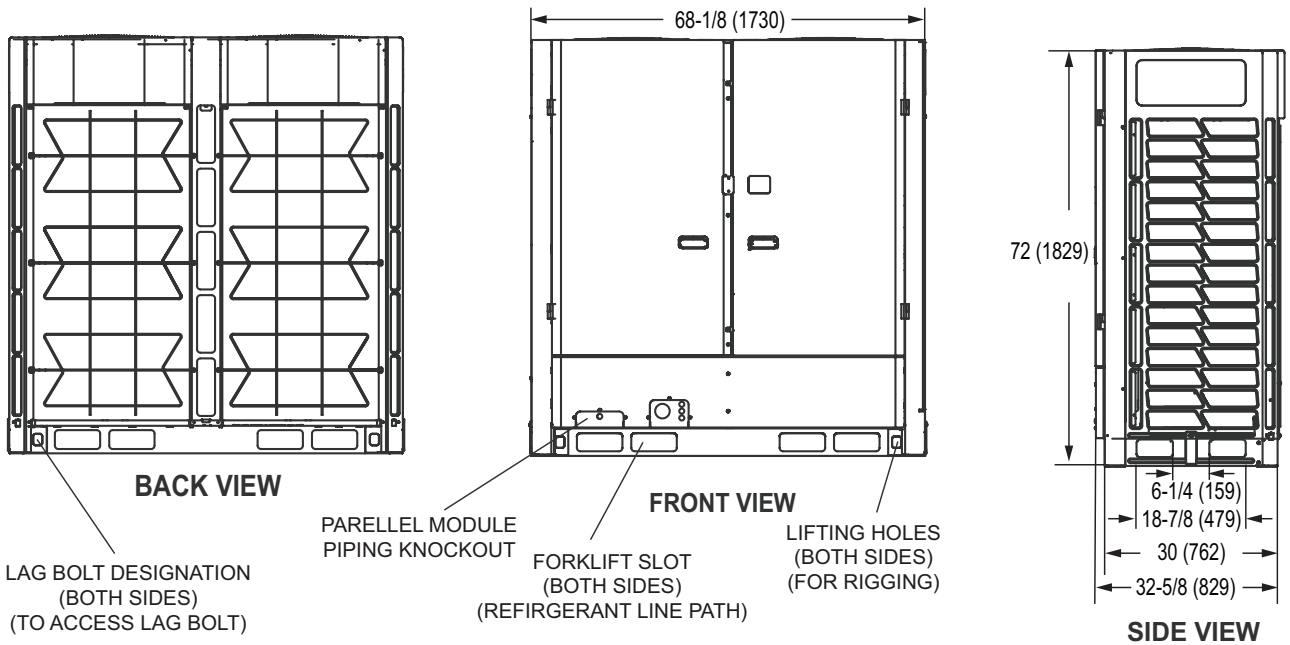
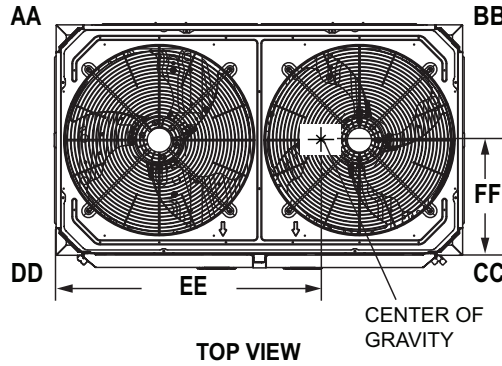
PARELLEL MODULE PIPING KNOCKOUT  
 FORKLIFT SLOT (BOTH SIDES) (REFRIGERANT LINE PATH)  
 LIFTING HOLES (BOTH SIDES) (FOR RIGGING)



**DIMENSIONS - UNIT**

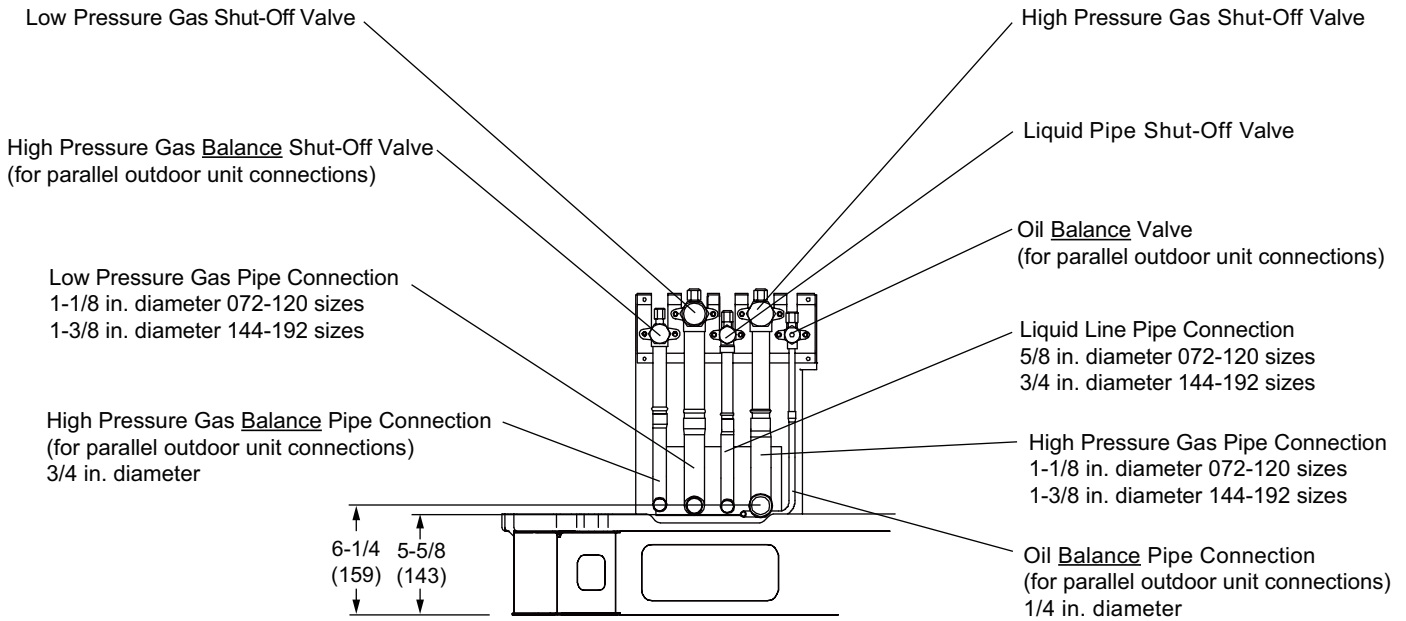
**VRB144 | VRB168 | VRB192**

CORNER WEIGHTS									CENTER OF GRAVITY			
Model No.	AA		BB		CC		DD		EE		FF	
	lbs.	kg	lbs.	kg	lbs.	kg	lbs.	kg	in.	mm	in.	mm
VRB144, 168, 192	172	78	264	120	330	150	321	146	37-1/2	953	12	305



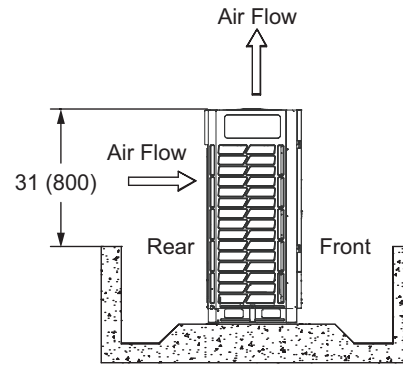
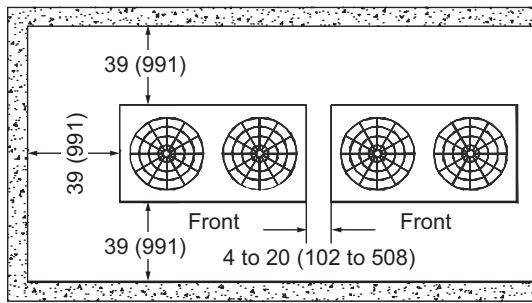


## DIMENSIONS - PIPING DETAILS

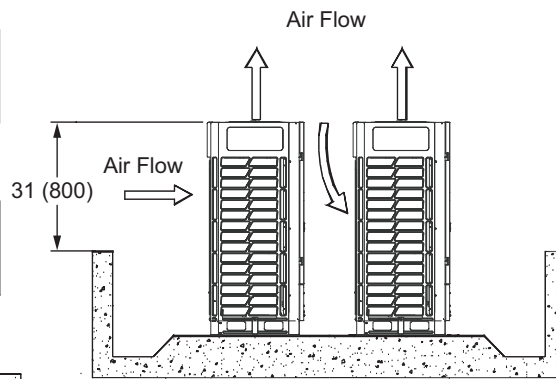
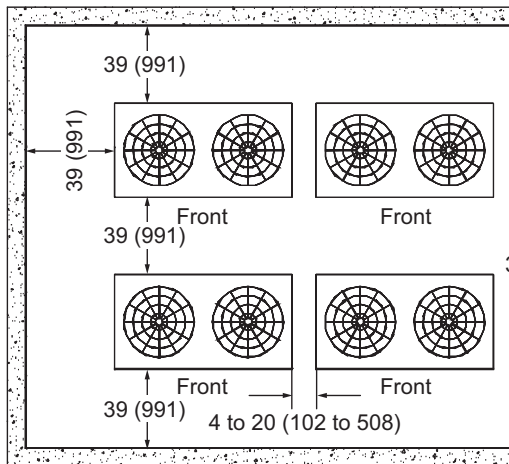


# INSTALLATION CLEARANCES

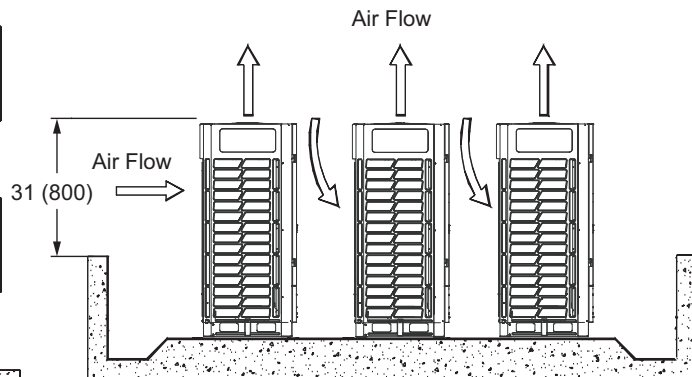
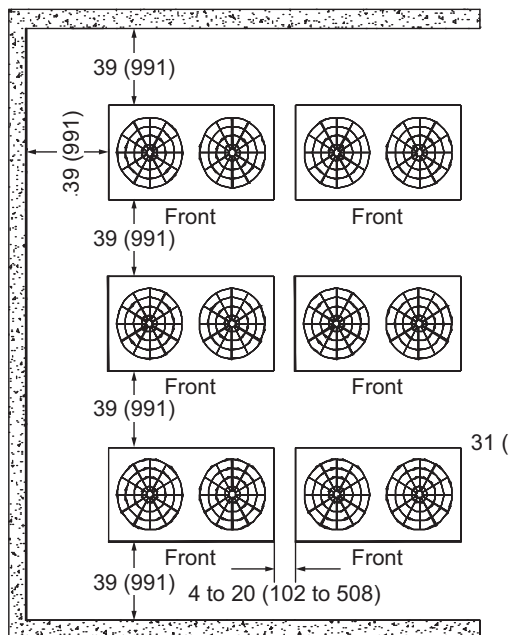
## SINGLE ROW



## TWO ROWS



## THREE OR MORE ROWS



# COOLING CAPACITY - SINGLE MODULE | VRB072H4

Combination (%)	Outdoor Temperature °F (Dry Bulb)	Indoor Temperature - °F (Dry Bulb / Wet Bulb)											
		67 / 57		71 / 60		75 / 63		80 / 67		85 / 71		90 / 75	
		Total Cap.	Power Input	Total Cap.	Power Input	Total Cap.	Power Input	Total Cap.	Power Input	Total Cap.	Power Input	Total Cap.	Power Input
		MBH	kW	MBH	kW	MBH	kW	MBH	kW	MBH	kW	MBH	kW
130%	-10	55.2	1.4	67.1	1.7	78.2	2.0	93.6	2.5	109.7	3.0	125.0	3.5
	-5	55.2	1.5	67.1	1.8	78.2	2.2	93.6	2.7	109.7	3.2	125.0	3.7
	10	55.2	1.5	67.1	1.9	78.2	2.2	93.6	2.7	109.7	3.2	125.0	3.8
	15	55.2	1.6	67.1	1.9	78.2	2.3	93.6	2.8	109.7	3.3	122.8	3.8
	20	55.2	1.6	67.1	2.0	78.2	2.3	93.6	2.8	109.7	3.4	120.3	3.8
	25	55.2	1.6	67.1	2.0	78.2	2.4	93.6	2.9	109.7	3.5	117.6	3.8
	30	55.2	1.7	67.1	2.1	78.2	2.4	93.6	3.0	109.7	3.5	114.8	3.8
	35	55.2	1.7	67.1	2.1	78.2	2.5	93.6	3.0	109.7	3.6	112.2	3.8
	40	55.2	1.8	67.1	2.2	78.2	2.5	93.6	3.1	109.7	3.7	110.5	3.8
	45	55.2	1.8	67.1	2.2	78.2	2.6	93.6	3.2	109.7	3.8	109.9	3.9
	50	55.2	1.8	67.1	2.3	78.2	2.7	93.6	3.3	108.1	3.9	109.5	4.0
	55	55.2	1.9	67.1	2.3	78.2	2.8	93.6	3.4	107.9	4.0	109.4	4.1
	60	55.2	1.9	67.1	2.4	78.2	2.8	93.6	3.4	108.3	4.1	109.4	4.2
	65	55.2	2.0	67.1	2.5	78.2	2.9	93.6	3.5	107.5	4.2	109.6	4.3
	70	55.2	2.2	67.1	2.7	78.2	3.2	93.6	3.9	107.7	4.5	109.7	4.7
	75	55.2	2.4	67.1	2.9	78.2	3.5	93.6	4.2	107.8	5.0	109.8	5.2
	80	55.2	2.6	67.1	3.2	78.2	3.8	93.6	4.6	107.6	5.5	109.7	5.7
	85	55.2	2.9	67.1	3.5	78.2	4.2	93.6	5.1	107.0	6.0	109.0	6.2
	90	55.2	3.2	67.1	3.9	78.2	4.6	93.6	5.6	105.7	6.4	107.8	6.7
	95	55.2	3.4	67.1	4.2	78.2	5.0	93.6	6.1	98.1	6.5	99.6	6.8
100	55.2	3.7	67.1	4.6	78.2	5.4	93.6	6.6	94.6	6.8	96.4	7.1	
105	55.2	4.0	67.1	5.0	78.2	5.9	87.4	6.7	90.0	7.0	91.8	7.3	
110	55.2	4.3	67.1	5.3	78.2	6.3	81.4	6.7	83.8	7.0	85.4	7.3	
115	55.2	4.6	67.1	5.6	70.6	6.0	73.3	6.3	75.5	6.7	76.9	7.0	
118	55.2	4.7	62.6	5.4	64.8	5.7	67.3	6.0	69.3	6.3	70.6	6.6	
125	44.3	3.9	46.3	4.2	47.9	4.4	49.7	4.6	51.2	4.9	52.2	5.1	
120%	-10	50.9	1.3	61.9	1.6	72.2	1.9	86.4	2.3	101.2	2.7	115.4	3.2
	-5	50.9	1.4	61.9	1.7	72.2	2.0	86.4	2.4	101.2	2.9	115.4	3.4
	10	50.9	1.4	61.9	1.7	72.2	2.0	86.4	2.5	101.2	3.0	115.4	3.4
	15	50.9	1.4	61.9	1.7	72.2	2.1	86.4	2.5	101.2	3.0	115.4	3.5
	20	50.9	1.5	61.9	1.8	72.2	2.1	86.4	2.6	101.2	3.1	115.4	3.6
	25	50.9	1.5	61.9	1.8	72.2	2.2	86.4	2.6	101.2	3.2	115.4	3.7
	30	50.9	1.5	61.9	1.9	72.2	2.2	86.4	2.7	101.2	3.2	112.7	3.7
	35	50.9	1.6	61.9	1.9	72.2	2.3	86.4	2.8	101.2	3.3	110.1	3.7
	40	50.9	1.6	61.9	2.0	72.2	2.3	86.4	2.8	101.2	3.4	108.4	3.7
	45	50.9	1.6	61.9	2.0	72.2	2.4	86.4	2.9	101.2	3.5	107.8	3.8
	50	50.9	1.7	61.9	2.1	72.2	2.4	86.4	3.0	101.2	3.6	107.4	3.9
	55	50.9	1.7	61.9	2.1	72.2	2.5	86.4	3.0	101.2	3.7	107.3	4.0
	60	50.9	1.8	61.9	2.2	72.2	2.6	86.4	3.1	101.2	3.8	107.3	4.1
	65	50.9	1.8	61.9	2.2	72.2	2.6	86.4	3.2	101.2	3.9	107.5	4.2
	70	50.9	2.0	61.9	2.4	72.2	2.9	86.4	3.5	101.2	4.2	107.7	4.6
	75	50.9	2.2	61.9	2.7	72.2	3.2	86.4	3.8	101.2	4.6	107.8	5.0
	80	50.9	2.4	61.9	2.9	72.2	3.5	86.4	4.2	101.2	5.1	107.6	5.5
	85	50.9	2.6	61.9	3.2	72.2	3.8	86.4	4.6	101.2	5.5	107.0	6.0
	90	50.9	2.9	61.9	3.5	72.2	4.2	86.4	5.1	101.2	6.1	105.7	6.5
	95	50.9	3.1	61.9	3.9	72.2	4.5	86.4	5.5	98.1	6.4	99.6	6.7
100	50.9	3.4	61.9	4.2	72.2	4.9	86.4	6.0	94.6	6.7	96.4	7.0	
105	50.9	3.7	61.9	4.5	72.2	5.3	86.4	6.5	90.0	6.9	91.8	7.2	
110	50.9	3.9	61.9	4.8	72.2	5.7	81.4	6.6	83.8	6.9	85.4	7.2	
115	50.9	4.2	61.9	5.1	70.6	5.9	73.3	6.2	75.5	6.6	76.9	6.9	
118	50.9	4.3	61.9	5.3	64.8	5.6	67.3	5.9	69.3	6.2	70.6	6.5	
125	44.3	3.9	46.3	4.1	47.9	4.3	49.7	4.5	51.2	4.8	52.2	5.0	

NOTE - Power Input = Compressor + Outdoor Fan Motor.  
 MBH = 1000 BTUs per hour.

# COOLING CAPACITY - SINGLE MODULE | VRB072H4

Combination (%)	Outdoor Temperature °F (Dry Bulb)	Indoor Temperature - °F (Dry Bulb / Wet Bulb)											
		67 / 57		71 / 60		75 / 63		80 / 67		85 / 71		90 / 75	
		Total Cap.	Power Input	Total Cap.	Power Input	Total Cap.	Power Input	Total Cap.	Power Input	Total Cap.	Power Input	Total Cap.	Power Input
		MBH	KW	MBH	KW	MBH	KW	MBH	KW	MBH	KW	MBH	KW
110%	-10	46.7	1.2	56.7	1.4	66.2	1.7	79.2	2.0	92.8	2.5	105.8	2.9
	-5	46.7	1.2	56.7	1.5	66.2	1.8	79.2	2.2	92.8	2.6	105.8	3.0
	10	46.7	1.3	56.7	1.5	66.2	1.8	79.2	2.2	92.8	2.7	105.8	3.1
	15	46.7	1.3	56.7	1.6	66.2	1.9	79.2	2.3	92.8	2.7	105.8	3.2
	20	46.7	1.3	56.7	1.6	66.2	1.9	79.2	2.3	92.8	2.8	105.8	3.2
	25	46.7	1.3	56.7	1.7	66.2	1.9	79.2	2.4	92.8	2.8	105.8	3.3
	30	46.7	1.4	56.7	1.7	66.2	2.0	79.2	2.4	92.8	2.9	105.8	3.4
	35	46.7	1.4	56.7	1.7	66.2	2.0	79.2	2.5	92.8	3.0	105.8	3.5
	40	46.7	1.4	56.7	1.8	66.2	2.1	79.2	2.5	92.8	3.1	105.8	3.6
	45	46.7	1.5	56.7	1.8	66.2	2.1	79.2	2.6	92.8	3.1	105.8	3.7
	50	46.7	1.5	56.7	1.9	66.2	2.2	79.2	2.7	92.8	3.2	105.4	3.7
	55	46.7	1.6	56.7	1.9	66.2	2.3	79.2	2.8	92.8	3.3	105.2	3.8
	60	46.7	1.6	56.7	2.0	66.2	2.3	79.2	2.8	92.8	3.4	105.3	3.9
	65	46.7	1.6	56.7	2.0	66.2	2.4	79.2	2.9	92.8	3.5	105.4	4.0
	70	46.7	1.8	56.7	2.2	66.2	2.6	79.2	3.2	92.8	3.8	105.6	4.4
	75	46.7	2.0	56.7	2.4	66.2	2.8	79.2	3.5	92.8	4.2	105.7	4.8
	80	46.7	2.2	56.7	2.6	66.2	3.1	79.2	3.8	92.8	4.6	105.5	5.3
	85	46.7	2.4	56.7	2.9	66.2	3.4	79.2	4.2	92.8	5.0	104.9	5.8
	90	46.7	2.6	56.7	3.2	66.2	3.8	79.2	4.6	92.8	5.5	103.7	6.3
	95	46.7	2.8	56.7	3.5	66.2	4.1	79.2	5.0	92.8	6.0	99.6	6.6
100	46.7	3.1	56.7	3.8	66.2	4.5	79.2	5.4	92.8	6.5	96.4	6.9	
105	46.7	3.3	56.7	4.1	66.2	4.8	79.2	5.9	90.0	6.8	91.8	7.1	
110	46.7	3.6	56.7	4.4	66.2	5.2	79.2	6.3	83.8	6.8	85.4	7.1	
115	46.7	3.8	56.7	4.6	66.2	5.5	73.3	6.2	75.5	6.5	76.9	6.8	
118	46.7	3.9	56.7	4.7	64.8	5.5	67.3	5.8	69.3	6.1	70.6	6.4	
125	44.3	3.8	46.3	4.0	47.9	4.2	49.7	4.5	51.2	4.7	52.2	4.9	
100%	-10	42.4	1.0	51.6	1.3	60.2	1.5	72.0	1.8	84.4	2.2	96.2	2.6
	-5	42.4	1.1	51.6	1.4	60.2	1.6	72.0	1.9	84.4	2.3	96.2	2.7
	10	42.4	1.1	51.6	1.4	60.2	1.6	72.0	2.0	84.4	2.4	96.2	2.8
	15	42.4	1.2	51.6	1.4	60.2	1.7	72.0	2.0	84.4	2.4	96.2	2.8
	20	42.4	1.2	51.6	1.4	60.2	1.7	72.0	2.1	84.4	2.5	96.2	2.9
	25	42.4	1.2	51.6	1.5	60.2	1.7	72.0	2.1	84.4	2.5	96.2	3.0
	30	42.4	1.2	51.6	1.5	60.2	1.8	72.0	2.2	84.4	2.6	96.2	3.0
	35	42.4	1.3	51.6	1.5	60.2	1.8	72.0	2.2	84.4	2.7	96.2	3.1
	40	42.4	1.3	51.6	1.6	60.2	1.9	72.0	2.3	84.4	2.7	96.2	3.2
	45	42.4	1.3	51.6	1.6	60.2	1.9	72.0	2.3	84.4	2.8	96.2	3.3
	50	42.4	1.4	51.6	1.7	60.2	2.0	72.0	2.4	84.4	2.9	96.2	3.4
	55	42.4	1.4	51.6	1.7	60.2	2.0	72.0	2.5	84.4	3.0	96.2	3.4
	60	42.4	1.4	51.6	1.8	60.2	2.1	72.0	2.5	84.4	3.0	96.2	3.5
	65	42.4	1.5	51.6	1.8	60.2	2.1	72.0	2.6	84.4	3.1	96.2	3.6
	70	42.4	1.6	51.6	2.0	60.2	2.3	72.0	2.8	84.4	3.4	96.2	4.0
	75	42.4	1.8	51.6	2.2	60.2	2.5	72.0	3.1	84.4	3.7	96.2	4.3
	80	42.4	1.9	51.6	2.4	60.2	2.8	72.0	3.4	84.4	4.1	96.2	4.8
	85	42.4	2.1	51.6	2.6	60.2	3.1	72.0	3.7	84.4	4.5	96.2	5.2
	90	42.4	2.3	51.6	2.8	60.2	3.4	72.0	4.1	84.4	4.9	96.2	5.7
	95	42.4	2.5	51.6	3.1	60.2	3.7	<b>72.0</b>	<b>4.5</b>	84.4	5.4	96.2	6.3
100	42.4	2.8	51.6	3.4	60.2	4.0	72.0	4.9	84.4	5.8	96.2	6.8	
105	42.4	3.0	51.6	3.7	60.2	4.3	72.0	5.3	84.4	6.3	91.8	7.0	
110	42.4	3.2	51.6	3.9	60.2	4.6	72.0	5.6	83.8	6.7	85.4	7.0	
115	42.4	3.4	51.6	4.1	60.2	4.9	72.0	6.0	75.5	6.4	76.9	6.7	
118	42.4	3.5	51.6	4.3	60.2	5.0	67.3	5.7	69.3	6.0	70.6	6.3	
125	42.4	3.6	46.3	4.0	47.9	4.2	49.7	4.4	51.2	4.6	52.2	4.8	

NOTE - Power Input = Compressor + Outdoor Fan Motor.  
 MBH = 1000 BTUs per hour.

# COOLING CAPACITY - SINGLE MODULE | VRB072H4

Combination (%)	Outdoor Temperature °F (Dry Bulb)	Indoor Temperature - °F (Dry Bulb / Wet Bulb)											
		67 / 57		71 / 60		75 / 63		80 / 67		85 / 71		90 / 75	
		Total Cap.	Power Input	Total Cap.	Power Input	Total Cap.	Power Input	Total Cap.	Power Input	Total Cap.	Power Input	Total Cap.	Power Input
		MBH	kW	MBH	kW	MBH	kW	MBH	kW	MBH	kW	MBH	kW
90%	-10	38.2	0.9	46.4	1.1	54.2	1.3	64.8	1.6	75.9	1.9	86.6	2.3
	-5	38.2	1.0	46.4	1.2	54.2	1.4	64.8	1.7	75.9	2.1	86.6	2.4
	10	38.2	1.0	46.4	1.2	54.2	1.4	64.8	1.8	75.9	2.1	86.6	2.5
	15	38.2	1.0	46.4	1.3	54.2	1.5	64.8	1.8	75.9	2.2	86.6	2.5
	20	38.2	1.0	46.4	1.3	54.2	1.5	64.8	1.8	75.9	2.2	86.6	2.6
	25	38.2	1.1	46.4	1.3	54.2	1.5	64.8	1.9	75.9	2.3	86.6	2.6
	30	38.2	1.1	46.4	1.3	54.2	1.6	64.8	1.9	75.9	2.3	86.6	2.7
	35	38.2	1.1	46.4	1.4	54.2	1.6	64.8	2.0	75.9	2.4	86.6	2.8
	40	38.2	1.1	46.4	1.4	54.2	1.7	64.8	2.0	75.9	2.4	86.6	2.8
	45	38.2	1.2	46.4	1.4	54.2	1.7	64.8	2.1	75.9	2.5	86.6	2.9
	50	38.2	1.2	46.4	1.5	54.2	1.7	64.8	2.1	75.9	2.5	86.6	3.0
	55	38.2	1.2	46.4	1.5	54.2	1.8	64.8	2.2	75.9	2.6	86.6	3.1
	60	38.2	1.3	46.4	1.6	54.2	1.8	64.8	2.2	75.9	2.7	86.6	3.1
	65	38.2	1.3	46.4	1.6	54.2	1.9	64.8	2.3	75.9	2.8	86.6	3.2
	70	38.2	1.4	46.4	1.7	54.2	2.1	64.8	2.5	75.9	3.0	86.6	3.5
	75	38.2	1.6	46.4	1.9	54.2	2.3	64.8	2.8	75.9	3.3	86.6	3.9
	80	38.2	1.7	46.4	2.1	54.2	2.5	64.8	3.0	75.9	3.6	86.6	4.2
	85	38.2	1.9	46.4	2.3	54.2	2.7	64.8	3.3	75.9	4.0	86.6	4.6
	90	38.2	2.1	46.4	2.5	54.2	3.0	64.8	3.6	75.9	4.4	86.6	5.1
	95	38.2	2.2	46.4	2.8	54.2	3.3	64.8	4.0	75.9	4.8	86.6	5.6
100	38.2	2.4	46.4	3.0	54.2	3.5	64.8	4.3	75.9	5.2	86.6	6.0	
105	38.2	2.6	46.4	3.2	54.2	3.8	64.8	4.7	75.9	5.6	86.6	6.5	
110	38.2	2.8	46.4	3.5	54.2	4.1	64.8	5.0	75.9	6.0	85.4	6.9	
115	38.2	3.0	46.4	3.7	54.2	4.3	64.8	5.3	75.5	6.3	76.9	6.6	
118	38.2	3.1	46.4	3.8	54.2	4.5	64.8	5.4	69.3	5.9	70.6	6.2	
125	38.2	3.2	46.3	3.9	47.9	4.1	49.7	4.3	51.2	4.6	52.2	4.8	
80%	-10	34.0	0.8	41.3	1.0	48.1	1.2	57.6	1.4	67.5	1.7	76.9	2.0
	-5	34.0	0.9	41.3	1.1	48.1	1.2	57.6	1.5	67.5	1.8	76.9	2.1
	10	34.0	0.9	41.3	1.1	48.1	1.3	57.6	1.5	67.5	1.9	76.9	2.2
	15	34.0	0.9	41.3	1.1	48.1	1.3	57.6	1.6	67.5	1.9	76.9	2.2
	20	34.0	0.9	41.3	1.1	48.1	1.3	57.6	1.6	67.5	1.9	76.9	2.3
	25	34.0	0.9	41.3	1.1	48.1	1.4	57.6	1.7	67.5	2.0	76.9	2.3
	30	34.0	1.0	41.3	1.2	48.1	1.4	57.6	1.7	67.5	2.0	76.9	2.4
	35	34.0	1.0	41.3	1.2	48.1	1.4	57.6	1.7	67.5	2.1	76.9	2.4
	40	34.0	1.0	41.3	1.2	48.1	1.5	57.6	1.8	67.5	2.1	76.9	2.5
	45	34.0	1.0	41.3	1.3	48.1	1.5	57.6	1.8	67.5	2.2	76.9	2.5
	50	34.0	1.1	41.3	1.3	48.1	1.5	57.6	1.9	67.5	2.2	76.9	2.6
	55	34.0	1.1	41.3	1.3	48.1	1.6	57.6	1.9	67.5	2.3	76.9	2.7
	60	34.0	1.1	41.3	1.4	48.1	1.6	57.6	2.0	67.5	2.4	76.9	2.7
	65	34.0	1.1	41.3	1.4	48.1	1.7	57.6	2.0	67.5	2.4	76.9	2.8
	70	34.0	1.2	41.3	1.5	48.1	1.8	57.6	2.2	67.5	2.6	76.9	3.1
	75	34.0	1.4	41.3	1.7	48.1	2.0	57.6	2.4	67.5	2.9	76.9	3.4
	80	34.0	1.5	41.3	1.8	48.1	2.2	57.6	2.6	67.5	3.2	76.9	3.7
	85	34.0	1.6	41.3	2.0	48.1	2.4	57.6	2.9	67.5	3.5	76.9	4.1
	90	34.0	1.8	41.3	2.2	48.1	2.6	57.6	3.2	67.5	3.8	76.9	4.5
	95	34.0	2.0	41.3	2.4	48.1	2.9	57.6	3.5	67.5	4.2	76.9	4.9
100	34.0	2.1	41.3	2.6	48.1	3.1	57.6	3.8	67.5	4.5	76.9	5.3	
105	34.0	2.3	41.3	2.8	48.1	3.3	57.6	4.1	67.5	4.9	76.9	5.7	
110	34.0	2.5	41.3	3.0	48.1	3.6	57.6	4.4	67.5	5.2	76.9	6.1	
115	34.0	2.6	41.3	3.2	48.1	3.8	57.6	4.6	67.5	5.5	76.9	6.5	
118	34.0	2.7	41.3	3.3	48.1	3.9	57.6	4.8	67.5	5.7	70.6	6.1	
125	34.0	2.8	41.3	3.4	47.9	4.0	49.7	4.3	51.2	4.5	52.2	4.7	

NOTE - Power Input = Compressor + Outdoor Fan Motor.  
 MBH = 1000 BTUs per hour.



# COOLING CAPACITY - SINGLE MODULE | VRB072H4

Combination (%)	Outdoor Temperature °F (Dry Bulb)	Indoor Temperature - °F (Dry Bulb / Wet Bulb)											
		67 / 57		71 / 60		75 / 63		80 / 67		85 / 71		90 / 75	
		Total Cap.	Power Input	Total Cap.	Power Input	Total Cap.	Power Input	Total Cap.	Power Input	Total Cap.	Power Input	Total Cap.	Power Input
		MBH	KW	MBH	KW	MBH	KW	MBH	KW	MBH	KW	MBH	KW
70%	-10	29.7	0.7	36.1	0.9	42.1	1.0	50.4	1.2	59.1	1.5	67.3	1.7
	-5	29.7	0.7	36.1	0.9	42.1	1.1	50.4	1.3	59.1	1.6	67.3	1.8
	10	29.7	0.8	36.1	0.9	42.1	1.1	50.4	1.3	59.1	1.6	67.3	1.9
	15	29.7	0.8	36.1	0.9	42.1	1.1	50.4	1.4	59.1	1.6	67.3	1.9
	20	29.7	0.8	36.1	1.0	42.1	1.1	50.4	1.4	59.1	1.7	67.3	1.9
	25	29.7	0.8	36.1	1.0	42.1	1.2	50.4	1.4	59.1	1.7	67.3	2.0
	30	29.7	0.8	36.1	1.0	42.1	1.2	50.4	1.5	59.1	1.7	67.3	2.0
	35	29.7	0.8	36.1	1.0	42.1	1.2	50.4	1.5	59.1	1.8	67.3	2.1
	40	29.7	0.9	36.1	1.1	42.1	1.3	50.4	1.5	59.1	1.8	67.3	2.1
	45	29.7	0.9	36.1	1.1	42.1	1.3	50.4	1.6	59.1	1.9	67.3	2.2
	50	29.7	0.9	36.1	1.1	42.1	1.3	50.4	1.6	59.1	1.9	67.3	2.2
	55	29.7	0.9	36.1	1.1	42.1	1.4	50.4	1.7	59.1	2.0	67.3	2.3
	60	29.7	1.0	36.1	1.2	42.1	1.4	50.4	1.7	59.1	2.0	67.3	2.4
	65	29.7	1.0	36.1	1.2	42.1	1.4	50.4	1.7	59.1	2.1	67.3	2.4
	70	29.7	1.1	36.1	1.3	42.1	1.6	50.4	1.9	59.1	2.3	67.3	2.7
	75	29.7	1.2	36.1	1.4	42.1	1.7	50.4	2.1	59.1	2.5	67.3	2.9
	80	29.7	1.3	36.1	1.6	42.1	1.9	50.4	2.3	59.1	2.7	67.3	3.2
	85	29.7	1.4	36.1	1.7	42.1	2.1	50.4	2.5	59.1	3.0	67.3	3.5
	90	29.7	1.6	36.1	1.9	42.1	2.3	50.4	2.7	59.1	3.3	67.3	3.8
	95	29.7	1.7	36.1	2.1	42.1	2.5	50.4	3.0	59.1	3.6	67.3	4.2
100	29.7	1.8	36.1	2.3	42.1	2.7	50.4	3.3	59.1	3.9	67.3	4.6	
105	29.7	2.0	36.1	2.4	42.1	2.9	50.4	3.5	59.1	4.2	67.3	4.9	
110	29.7	2.1	36.1	2.6	42.1	3.1	50.4	3.8	59.1	4.5	67.3	5.3	
115	29.7	2.3	36.1	2.8	42.1	3.3	50.4	4.0	59.1	4.8	67.3	5.6	
118	29.7	2.3	36.1	2.8	42.1	3.4	50.4	4.1	59.1	4.9	67.3	5.7	
125	29.7	2.4	36.1	3.0	42.1	3.5	49.7	4.2	51.2	4.4	52.2	4.6	
60%	-10	25.5	0.6	30.9	0.7	36.1	0.9	43.2	1.0	50.6	1.2	57.7	1.5
	-5	25.5	0.6	30.9	0.8	36.1	0.9	43.2	1.1	50.6	1.3	57.7	1.5
	10	25.5	0.6	30.9	0.8	36.1	0.9	43.2	1.1	50.6	1.3	57.7	1.6
	15	25.5	0.7	30.9	0.8	36.1	0.9	43.2	1.2	50.6	1.4	57.7	1.6
	20	25.5	0.7	30.9	0.8	36.1	1.0	43.2	1.2	50.6	1.4	57.7	1.6
	25	25.5	0.7	30.9	0.8	36.1	1.0	43.2	1.2	50.6	1.4	57.7	1.7
	30	25.5	0.7	30.9	0.9	36.1	1.0	43.2	1.2	50.6	1.5	57.7	1.7
	35	25.5	0.7	30.9	0.9	36.1	1.0	43.2	1.3	50.6	1.5	57.7	1.8
	40	25.5	0.7	30.9	0.9	36.1	1.1	43.2	1.3	50.6	1.5	57.7	1.8
	45	25.5	0.7	30.9	0.9	36.1	1.1	43.2	1.3	50.6	1.6	57.7	1.9
	50	25.5	0.8	30.9	0.9	36.1	1.1	43.2	1.4	50.6	1.6	57.7	1.9
	55	25.5	0.8	30.9	1.0	36.1	1.1	43.2	1.4	50.6	1.7	57.7	2.0
	60	25.5	0.8	30.9	1.0	36.1	1.2	43.2	1.4	50.6	1.7	57.7	2.0
	65	25.5	0.8	30.9	1.0	36.1	1.2	43.2	1.5	50.6	1.8	57.7	2.1
	70	25.5	0.9	30.9	1.1	36.1	1.3	43.2	1.6	50.6	1.9	57.7	2.2
	75	25.5	1.0	30.9	1.2	36.1	1.4	43.2	1.8	50.6	2.1	57.7	2.5
	80	25.5	1.1	30.9	1.3	36.1	1.6	43.2	1.9	50.6	2.3	57.7	2.7
	85	25.5	1.2	30.9	1.5	36.1	1.7	43.2	2.1	50.6	2.5	57.7	3.0
	90	25.5	1.3	30.9	1.6	36.1	1.9	43.2	2.3	50.6	2.8	57.7	3.2
	95	25.5	1.4	30.9	1.8	36.1	2.1	43.2	2.5	50.6	3.0	57.7	3.5
100	25.5	1.6	30.9	1.9	36.1	2.3	43.2	2.8	50.6	3.3	57.7	3.9	
105	25.5	1.7	30.9	2.1	36.1	2.4	43.2	3.0	50.6	3.6	57.7	4.2	
110	25.5	1.8	30.9	2.2	36.1	2.6	43.2	3.2	50.6	3.8	57.7	4.5	
115	25.5	1.9	30.9	2.3	36.1	2.8	43.2	3.4	50.6	4.0	57.7	4.7	
118	25.5	2.0	30.9	2.4	36.1	2.8	43.2	3.5	50.6	4.1	57.7	4.8	
125	25.5	2.0	30.9	2.5	36.1	3.0	43.2	3.6	50.6	4.3	52.2	4.6	

NOTE - Power Input = Compressor + Outdoor Fan Motor.  
 MBH = 1000 BTUs per hour.

## COOLING CAPACITY - SINGLE MODULE | VRB072H4

Combination (%)	Outdoor Temperature °F (Dry Bulb)	Indoor Temperature - °F (Dry Bulb / Wet Bulb)											
		67 / 57		71 / 60		75 / 63		80 / 67		85 / 71		90 / 75	
		Total Cap.	Power Input	Total Cap.	Power Input	Total Cap.	Power Input	Total Cap.	Power Input	Total Cap.	Power Input	Total Cap.	Power Input
		MBH	kW	MBH	kW	MBH	kW	MBH	kW	MBH	kW	MBH	kW
50%	-10	21.2	0.5	25.8	0.6	30.1	0.7	36.0	0.9	42.2	1.0	48.1	1.2
	-5	21.2	0.5	25.8	0.6	30.1	0.7	36.0	0.9	42.2	1.1	48.1	1.3
	10	21.2	0.5	25.8	0.6	30.1	0.8	36.0	0.9	42.2	1.1	48.1	1.3
	15	21.2	0.5	25.8	0.7	30.1	0.8	36.0	0.9	42.2	1.1	48.1	1.3
	20	21.2	0.5	25.8	0.7	30.1	0.8	36.0	1.0	42.2	1.2	48.1	1.4
	25	21.2	0.6	25.8	0.7	30.1	0.8	36.0	1.0	42.2	1.2	48.1	1.4
	30	21.2	0.6	25.8	0.7	30.1	0.8	36.0	1.0	42.2	1.2	48.1	1.4
	35	21.2	0.6	25.8	0.7	30.1	0.9	36.0	1.0	42.2	1.2	48.1	1.4
	40	21.2	0.6	25.8	0.7	30.1	0.9	36.0	1.1	42.2	1.3	48.1	1.5
	45	21.2	0.6	25.8	0.8	30.1	0.9	36.0	1.1	42.2	1.3	48.1	1.5
	50	21.2	0.6	25.8	0.8	30.1	0.9	36.0	1.1	42.2	1.3	48.1	1.6
	55	21.2	0.6	25.8	0.8	30.1	0.9	36.0	1.1	42.2	1.4	48.1	1.6
	60	21.2	0.7	25.8	0.8	30.1	1.0	36.0	1.2	42.2	1.4	48.1	1.6
	65	21.2	0.7	25.8	0.8	30.1	1.0	36.0	1.2	42.2	1.4	48.1	1.7
	70	21.2	0.7	25.8	0.9	30.1	1.1	36.0	1.3	42.2	1.6	48.1	1.8
	75	21.2	0.8	25.8	1.0	30.1	1.2	36.0	1.4	42.2	1.7	48.1	2.0
	80	21.2	0.9	25.8	1.1	30.1	1.3	36.0	1.6	42.2	1.9	48.1	2.2
	85	21.2	1.0	25.8	1.2	30.1	1.4	36.0	1.7	42.2	2.1	48.1	2.4
90	21.2	1.1	25.8	1.3	30.1	1.6	36.0	1.9	42.2	2.3	48.1	2.7	
95	21.2	1.2	25.8	1.4	30.1	1.7	36.0	2.1	42.2	2.5	48.1	2.9	
100	21.2	1.3	25.8	1.6	30.1	1.9	36.0	2.3	42.2	2.7	48.1	3.2	
105	21.2	1.4	25.8	1.7	30.1	2.0	36.0	2.4	42.2	2.9	48.1	3.4	
110	21.2	1.5	25.8	1.8	30.1	2.1	36.0	2.6	42.2	3.1	48.1	3.7	
115	21.2	1.6	25.8	1.9	30.1	2.3	36.0	2.8	42.2	3.3	48.1	3.9	
118	21.2	1.6	25.8	2.0	30.1	2.3	36.0	2.8	42.2	3.4	48.1	4.0	
125	21.2	1.7	25.8	2.1	30.1	2.4	36.0	3.0	42.2	3.6	48.1	4.2	

NOTE - Power Input = Compressor + Outdoor Fan Motor.  
 MBH = 1000 BTUs per hour.

# HEATING CAPACITY - SINGLE MODULE | VRB072H4

Combination (%)	Outdoor Temperature (°F)		Indoor Temperature - °F Dry Bulb											
			61		64		67		70		73		75	
	Dry Bulb	Wet Bulb	Total Cap. MBH	Power Input kW	Total Cap. MBH	Power Input kW	Total Cap. MBH	Power Input kW	Total Cap. MBH	Power Input kW	Total Cap. MBH	Power Input kW	Total Cap. MBH	Power Input kW
130%	-13	-14	54.4	5.2	54.2	5.3	54.1	5.4	54.0	5.6	53.8	5.8	53.7	5.9
	-8	-9	59.1	5.6	59.0	5.8	58.9	5.9	58.7	6.1	58.6	6.3	58.5	6.4
	-3	-4	65.2	6.1	65.1	6.3	64.9	6.5	64.7	6.7	64.6	6.9	64.5	7.0
	2	1	72.1	6.7	71.9	6.9	71.8	7.1	71.6	7.3	71.4	7.5	71.3	7.6
	7	6	79.4	7.3	79.2	7.4	79.0	7.6	78.8	7.8	78.6	8.1	78.5	8.2
	12	10	86.6	7.7	86.4	7.9	86.2	8.1	85.9	8.3	85.7	8.6	85.6	8.7
	17	15	93.5	8.1	93.2	8.3	93.0	8.5	92.8	8.7	92.5	9.0	92.4	9.1
	22	20	99.7	8.4	99.5	8.6	99.2	8.8	99.0	9.0	98.6	9.2	94.3	9.0
	27	24	105.2	8.5	104.9	8.7	104.7	8.9	104.4	9.1	98.6	8.8	94.3	8.6
	32	29	109.7	8.5	109.4	8.7	109.2	8.9	105.3	8.8	98.6	8.4	94.3	7.9
	37	34	113.3	8.4	113.0	8.6	112.0	8.7	105.3	8.2	98.6	7.5	94.3	7.1
	42	38	115.9	8.2	115.7	8.4	112.0	8.0	105.3	7.4	98.6	6.8	94.3	6.4
	47	43	121.4	8.1	118.2	7.8	112.0	7.3	105.3	6.7	98.6	6.2	94.3	5.9
	52	47	124.9	7.6	118.2	7.1	112.0	6.6	105.3	6.2	98.6	5.7	94.3	5.5
	57	52	124.9	6.9	118.2	6.5	112.0	6.1	105.3	5.7	98.6	5.3	94.3	5.1
	62	56	124.9	6.4	118.2	6.0	112.0	5.7	105.3	5.3	98.6	5.0	94.3	4.7
	67	61	124.9	6.0	118.2	5.6	112.0	5.3	105.3	5.0	98.6	4.6	94.3	4.4
	72	66	124.9	5.6	118.2	5.3	112.0	5.0	105.3	4.7	98.6	4.4	94.3	4.2
	75	69	124.9	5.4	118.2	5.1	112.0	4.8	105.3	4.5	98.6	4.2	94.3	4.0
	80	74	124.9	5.0	118.2	4.8	112.0	4.5	105.3	4.3	98.6	4.0	94.3	3.8
120%	-13	-14	54.2	5.1	54.0	5.2	53.9	5.3	53.8	5.5	53.6	5.7	53.5	5.8
	-8	-9	58.9	5.5	58.8	5.7	58.6	5.8	58.5	6.0	58.3	6.1	58.2	6.3
	-3	-4	65.0	6.0	64.8	6.2	64.7	6.4	64.5	6.5	64.3	6.7	64.2	6.9
	2	1	71.8	6.6	71.7	6.8	71.5	6.9	71.3	7.1	71.1	7.3	71.0	7.5
	7	6	79.1	7.1	78.9	7.3	78.7	7.5	78.5	7.7	78.3	7.9	78.1	8.1
	12	10	86.3	7.6	86.0	7.8	85.8	8.0	85.6	8.2	85.4	8.4	85.2	8.6
	17	15	93.1	8.0	92.9	8.1	92.6	8.3	92.4	8.6	91.1	8.7	87.1	8.5
	22	20	99.3	8.2	99.1	8.4	98.8	8.6	97.2	8.7	91.1	8.4	87.1	8.1
	27	24	104.8	8.3	104.5	8.5	103.3	8.6	97.2	8.3	91.1	8.0	87.1	7.8
	32	29	109.3	8.3	109.0	8.5	103.3	8.3	97.2	8.0	91.1	7.6	87.1	7.1
	37	34	112.8	8.2	109.1	8.1	103.3	7.9	97.2	7.4	91.1	6.8	87.1	6.4
	42	38	115.3	8.0	109.1	7.8	103.3	7.3	97.2	6.7	91.1	6.2	87.1	5.9
	47	43	115.3	7.5	109.1	7.1	103.3	6.6	97.2	6.1	91.1	5.7	87.1	5.4
	52	47	115.3	6.9	109.1	6.4	103.3	6.0	97.2	5.6	91.1	5.2	87.1	5.0
	57	52	115.3	6.3	109.1	5.9	103.3	5.6	97.2	5.2	91.1	4.8	87.1	4.6
	62	56	115.3	5.8	109.1	5.5	103.3	5.2	97.2	4.8	91.1	4.5	87.1	4.3
	67	61	115.3	5.4	109.1	5.1	103.3	4.8	97.2	4.5	91.1	4.2	87.1	4.0
	72	66	115.3	5.1	109.1	4.8	103.3	4.5	97.2	4.2	91.1	4.0	87.1	3.8
	75	69	115.3	4.9	109.1	4.6	103.3	4.4	97.2	4.1	91.1	3.8	87.1	3.7
	80	74	115.3	4.6	109.1	4.3	103.3	4.1	97.2	3.9	91.1	3.6	87.1	3.5
110%	-13	-14	53.9	5.0	53.8	5.1	53.7	5.2	53.5	5.4	53.4	5.5	53.3	5.7
	-8	-9	58.7	5.4	58.5	5.5	58.4	5.7	58.2	5.9	58.1	6.0	58.0	6.1
	-3	-4	64.7	5.9	64.6	6.1	64.4	6.2	64.2	6.4	64.1	6.6	64.0	6.7
	2	1	71.6	6.5	71.4	6.6	71.2	6.8	71.0	7.0	70.8	7.2	70.7	7.3
	7	6	78.8	7.0	78.6	7.2	78.4	7.3	78.2	7.5	78.0	7.8	77.8	7.9
	12	10	85.9	7.4	85.7	7.6	85.5	7.8	85.3	8.0	83.5	8.1	79.8	7.9
	17	15	92.7	7.8	92.5	8.0	92.3	8.2	89.1	8.1	83.5	7.8	79.8	7.6
	22	20	98.9	8.0	98.7	8.2	94.7	8.1	89.1	7.8	83.5	7.5	79.8	7.4
	27	24	104.3	8.2	100.0	8.0	94.7	7.8	89.1	7.5	83.5	7.2	79.8	7.0
	32	29	105.7	7.9	100.0	7.7	94.7	7.5	89.1	7.2	83.5	6.9	79.8	6.5
	37	34	105.7	7.6	100.0	7.4	94.7	7.1	89.1	6.7	83.5	6.2	79.8	5.8
	42	38	105.7	7.2	100.0	7.0	94.7	6.6	89.1	6.1	83.5	5.6	79.8	5.3
	47	43	105.7	6.8	100.0	6.4	94.7	6.0	89.1	5.5	83.5	5.1	79.8	4.8
	52	47	105.7	6.2	100.0	5.8	94.7	5.5	89.1	5.1	83.5	4.7	79.8	4.5
	57	52	105.7	5.7	100.0	5.4	94.7	5.0	89.1	4.7	83.5	4.4	79.8	4.2
	62	56	105.7	5.3	100.0	5.0	94.7	4.7	89.1	4.4	83.5	4.1	79.8	3.9
	67	61	105.7	4.9	100.0	4.6	94.7	4.4	89.1	4.1	83.5	3.8	79.8	3.6
	72	66	105.7	4.6	100.0	4.3	94.7	4.1	89.1	3.8	83.5	3.6	79.8	3.4
	75	69	105.7	4.4	100.0	4.2	94.7	3.9	89.1	3.7	83.5	3.5	79.8	3.3
	80	74	105.7	4.1	100.0	3.9	94.7	3.7	89.1	3.5	83.5	3.3	79.8	3.1

NOTE - Power Input = Compressor + Outdoor Fan Motor.  
 MBH = 1000 BTUs per hour.

# HEATING CAPACITY - SINGLE MODULE | VRB072H4

Combination (%)	Outdoor Temperature (°F)		Indoor Temperature - °F Dry Bulb											
			61		64		67		70		73		75	
	Dry Bulb	Wet Bulb	Total Cap. MBH	Power Input kW	Total Cap. MBH	Power Input kW	Total Cap. MBH	Power Input kW	Total Cap. MBH	Power Input kW	Total Cap. MBH	Power Input kW	Total Cap. MBH	Power Input kW
100%	-13	-14	53.7	4.9	53.6	5.0	53.5	5.1	53.3	5.3	53.2	5.4	53.1	5.5
	-8	-9	58.4	5.3	58.3	5.4	58.2	5.6	58.0	5.7	57.9	5.9	57.8	6.0
	-3	-4	64.5	5.8	64.3	6.0	64.1	6.1	64.0	6.3	63.8	6.5	63.7	6.6
	2	1	71.3	6.3	71.1	6.5	70.9	6.7	70.7	6.9	70.6	7.1	70.4	7.2
	7	6	78.4	6.8	78.2	7.0	78.1	7.2	77.9	7.4	75.9	7.4	72.6	7.3
	12	10	85.6	7.3	85.4	7.5	85.1	7.7	81.0	7.5	75.9	7.2	72.6	7.1
	17	15	92.4	7.7	90.9	7.7	86.1	7.5	81.0	7.3	75.9	7.0	72.6	6.8
	22	20	96.1	7.7	90.9	7.5	86.1	7.3	81.0	7.0	75.9	6.8	72.6	6.6
	27	24	96.1	7.4	90.9	7.2	86.1	7.0	81.0	6.7	75.9	6.5	72.6	6.3
	32	29	96.1	7.1	90.9	6.9	86.1	6.7	81.0	6.4	75.9	6.1	72.6	5.8
	37	34	96.1	6.8	90.9	6.6	86.1	6.4	81.0	6.0	75.9	5.5	72.6	5.2
	42	38	96.1	6.5	90.9	6.3	86.1	5.9	81.0	5.4	75.9	5.0	72.6	4.7
	47	43	96.1	6.1	90.9	5.7	86.1	5.3	81.0	4.9	75.9	4.6	72.6	4.3
	52	47	96.1	5.6	90.9	5.2	86.1	4.9	81.0	4.5	75.9	4.2	72.6	4.0
	57	52	96.1	5.1	90.9	4.8	86.1	4.5	81.0	4.2	75.9	3.9	72.6	3.7
	62	56	96.1	4.7	90.9	4.4	86.1	4.2	81.0	3.9	75.9	3.6	72.6	3.5
	67	61	96.1	4.4	90.9	4.1	86.1	3.9	81.0	3.7	75.9	3.4	72.6	3.3
	72	66	96.1	4.1	90.9	3.9	86.1	3.7	81.0	3.4	75.9	3.2	72.6	3.1
75	69	96.1	3.9	90.9	3.7	86.1	3.5	81.0	3.3	75.9	3.1	72.6	3.0	
80	74	96.1	3.7	90.9	3.5	86.1	3.3	81.0	3.1	75.9	2.9	72.6	2.8	
90%	-13	-14	53.5	4.8	53.4	4.9	53.3	5.0	53.1	5.2	53.0	5.3	52.9	5.4
	-8	-9	58.2	5.2	58.1	5.3	57.9	5.5	57.8	5.6	57.6	5.8	57.5	5.9
	-3	-4	64.2	5.7	64.0	5.8	63.9	6.0	63.7	6.2	63.6	6.4	63.4	6.5
	2	1	71.0	6.2	70.8	6.4	70.6	6.5	70.5	6.7	68.3	6.7	65.3	6.6
	7	6	78.1	6.7	77.9	6.9	77.5	7.0	72.9	6.8	68.3	6.6	65.3	6.4
	12	10	85.2	7.2	81.8	7.1	77.5	6.9	72.9	6.7	68.3	6.4	65.3	6.3
	17	15	86.5	7.1	81.8	6.9	77.5	6.7	72.9	6.5	68.3	6.2	65.3	6.1
	22	20	86.5	6.8	81.8	6.6	77.5	6.4	72.9	6.2	68.3	6.0	65.3	5.8
	27	24	86.5	6.6	81.8	6.4	77.5	6.2	72.9	6.0	68.3	5.7	65.3	5.6
	32	29	86.5	6.3	81.8	6.1	77.5	5.9	72.9	5.7	68.3	5.4	65.3	5.1
	37	34	86.5	6.0	81.8	5.8	77.5	5.6	72.9	5.3	68.3	4.9	65.3	4.6
	42	38	86.5	5.7	81.8	5.6	77.5	5.2	72.9	4.8	68.3	4.4	65.3	4.2
	47	43	86.5	5.4	81.8	5.1	77.5	4.7	72.9	4.4	68.3	4.1	65.3	3.8
	52	47	86.5	4.9	81.8	4.6	77.5	4.3	72.9	4.0	68.3	3.7	65.3	3.6
	57	52	86.5	4.5	81.8	4.3	77.5	4.0	72.9	3.7	68.3	3.5	65.3	3.3
	62	56	86.5	4.2	81.8	3.9	77.5	3.7	72.9	3.5	68.3	3.2	65.3	3.1
	67	61	86.5	3.9	81.8	3.7	77.5	3.5	72.9	3.2	68.3	3.0	65.3	2.9
	72	66	86.5	3.6	81.8	3.4	77.5	3.2	72.9	3.0	68.3	2.8	65.3	2.7
75	69	86.5	3.5	81.8	3.3	77.5	3.1	72.9	2.9	68.3	2.7	65.3	2.6	
80	74	86.5	3.3	81.8	3.1	77.5	2.9	72.9	2.8	68.3	2.6	65.3	2.5	
80%	-13	-14	53.3	4.7	53.2	4.8	53.0	4.9	52.9	5.1	52.8	5.2	52.7	5.3
	-8	-9	58.0	5.1	57.8	5.2	57.7	5.4	57.5	5.5	57.4	5.7	57.3	5.8
	-3	-4	63.9	5.6	63.8	5.7	63.6	5.9	63.5	6.1	60.7	6.0	58.1	5.8
	2	1	70.7	6.1	70.5	6.3	68.9	6.3	64.8	6.1	60.7	5.9	58.1	5.8
	7	6	76.8	6.5	72.7	6.3	68.9	6.2	64.8	6.0	60.7	5.8	58.1	5.6
	12	10	76.8	6.4	72.7	6.2	68.9	6.0	64.8	5.8	60.7	5.6	58.1	5.5
	17	15	76.8	6.2	72.7	6.0	68.9	5.8	64.8	5.7	60.7	5.5	58.1	5.3
	22	20	76.8	6.0	72.7	5.8	68.9	5.6	64.8	5.4	60.7	5.3	58.1	5.1
	27	24	76.8	5.8	72.7	5.6	68.9	5.4	64.8	5.2	60.7	5.0	58.1	4.9
	32	29	76.8	5.5	72.7	5.4	68.9	5.2	64.8	5.0	60.7	4.8	58.1	4.5
	37	34	76.8	5.3	72.7	5.1	68.9	4.9	64.8	4.7	60.7	4.3	58.1	4.0
	42	38	76.8	5.0	72.7	4.9	68.9	4.6	64.8	4.2	60.7	3.9	58.1	3.7
	47	43	76.8	4.7	72.7	4.4	68.9	4.1	64.8	3.8	60.7	3.6	58.1	3.4
	52	47	76.8	4.3	72.7	4.0	68.9	3.8	64.8	3.5	60.7	3.3	58.1	3.1
	57	52	76.8	4.0	72.7	3.7	68.9	3.5	64.8	3.3	60.7	3.0	58.1	2.9
	62	56	76.8	3.7	72.7	3.4	68.9	3.2	64.8	3.0	60.7	2.8	58.1	2.7
	67	61	76.8	3.4	72.7	3.2	68.9	3.0	64.8	2.8	60.7	2.7	58.1	2.5
	72	66	76.8	3.2	72.7	3.0	68.9	2.8	64.8	2.7	60.7	2.5	58.1	2.4
75	69	76.8	3.1	72.7	2.9	68.9	2.7	64.8	2.6	60.7	2.4	58.1	2.3	
80	74	76.8	2.9	72.7	2.7	68.9	2.6	64.8	2.4	60.7	2.3	58.1	2.2	

NOTE - Power Input = Compressor + Outdoor Fan Motor.  
 MBH = 1000 BTUs per hour.

# HEATING CAPACITY - SINGLE MODULE | VRB072H4

Combination (%)	Outdoor Temperature (°F)		Indoor Temperature - °F Dry Bulb											
			61		64		67		70		73		75	
	Dry Bulb	Wet Bulb	Total Cap. MBH	Power Input kW	Total Cap. MBH	Power Input kW	Total Cap. MBH	Power Input kW	Total Cap. MBH	Power Input kW	Total Cap. MBH	Power Input kW	Total Cap. MBH	Power Input kW
70%	-13	-14	53.1	4.6	53.0	4.7	52.8	4.9	52.7	5.0	52.6	5.1	50.8	5.1
	-8	-9	57.7	5.0	57.6	5.1	57.5	5.3	56.7	5.4	53.1	5.2	50.8	5.1
	-3	-4	63.7	5.5	63.5	5.6	60.3	5.5	56.7	5.3	53.1	5.2	50.8	5.0
	2	1	67.2	5.7	63.7	5.6	60.3	5.4	56.7	5.3	53.1	5.1	50.8	5.0
	7	6	67.2	5.6	63.7	5.5	60.3	5.3	56.7	5.2	53.1	5.0	50.8	4.9
	12	10	67.2	5.5	63.7	5.3	60.3	5.2	56.7	5.0	53.1	4.9	50.8	4.7
	17	15	67.2	5.3	63.7	5.2	60.3	5.0	56.7	4.9	53.1	4.7	50.8	4.6
	22	20	67.2	5.2	63.7	5.0	60.3	4.9	56.7	4.7	53.1	4.5	50.8	4.4
	27	24	67.2	5.0	63.7	4.8	60.3	4.7	56.7	4.5	53.1	4.3	50.8	4.2
	32	29	67.2	4.8	63.7	4.6	60.3	4.5	56.7	4.3	53.1	4.1	50.8	3.9
	37	34	67.2	4.6	63.7	4.4	60.3	4.3	56.7	4.0	53.1	3.7	50.8	3.5
	42	38	67.2	4.3	63.7	4.2	60.3	3.9	56.7	3.6	53.1	3.3	50.8	3.2
	47	43	67.2	4.1	63.7	3.8	60.3	3.6	56.7	3.3	53.1	3.1	50.8	2.9
	52	47	67.2	3.7	63.7	3.5	60.3	3.3	56.7	3.0	53.1	2.8	50.8	2.7
	57	52	67.2	3.4	63.7	3.2	60.3	3.0	56.7	2.8	53.1	2.6	50.8	2.5
	62	56	67.2	3.2	63.7	3.0	60.3	2.8	56.7	2.6	53.1	2.4	50.8	2.3
	67	61	67.2	2.9	63.7	2.8	60.3	2.6	56.7	2.5	53.1	2.3	50.8	2.2
	72	66	67.2	2.7	63.7	2.6	60.3	2.5	56.7	2.3	53.1	2.2	50.8	2.1
75	69	67.2	2.6	63.7	2.5	60.3	2.4	56.7	2.2	53.1	2.1	50.8	2.0	
80	74	67.2	2.5	63.7	2.4	60.3	2.2	56.7	2.1	53.1	2.0	50.8	1.9	
60%	-13	-14	52.9	4.5	52.7	4.6	51.7	4.7	48.6	4.5	45.5	4.4	43.5	4.3
	-8	-9	57.5	4.9	54.6	4.8	51.7	4.7	48.6	4.5	45.5	4.4	43.5	4.3
	-3	-4	57.6	4.9	54.6	4.8	51.7	4.6	48.6	4.5	45.5	4.4	43.5	4.3
	2	1	57.6	4.8	54.6	4.7	51.7	4.6	48.6	4.4	45.5	4.3	43.5	4.2
	7	6	57.6	4.7	54.6	4.6	51.7	4.5	48.6	4.4	45.5	4.2	43.5	4.1
	12	10	57.6	4.6	54.6	4.5	51.7	4.4	48.6	4.3	45.5	4.1	43.5	4.0
	17	15	57.6	4.5	54.6	4.4	51.7	4.3	48.6	4.1	45.5	4.0	43.5	3.9
	22	20	57.6	4.4	54.6	4.2	51.7	4.1	48.6	4.0	45.5	3.8	43.5	3.7
	27	24	57.6	4.2	54.6	4.1	51.7	3.9	48.6	3.8	45.5	3.7	43.5	3.6
	32	29	57.6	4.0	54.6	3.9	51.7	3.8	48.6	3.6	45.5	3.5	43.5	3.3
	37	34	57.6	3.8	54.6	3.7	51.7	3.6	48.6	3.4	45.5	3.1	43.5	2.9
	42	38	57.6	3.7	54.6	3.5	51.7	3.3	48.6	3.1	45.5	2.8	43.5	2.7
	47	43	57.6	3.5	54.6	3.2	51.7	3.0	48.6	2.8	45.5	2.6	43.5	2.5
	52	47	57.6	3.1	54.6	2.9	51.7	2.8	48.6	2.6	45.5	2.4	43.5	2.3
	57	52	57.6	2.9	54.6	2.7	51.7	2.6	48.6	2.4	45.5	2.2	43.5	2.1
	62	56	57.6	2.7	54.6	2.5	51.7	2.4	48.6	2.2	45.5	2.1	43.5	2.0
	67	61	57.6	2.5	54.6	2.3	51.7	2.2	48.6	2.1	45.5	1.9	43.5	1.8
	72	66	57.6	2.3	54.6	2.2	51.7	2.1	48.6	1.9	45.5	1.8	43.5	1.7
75	69	57.6	2.2	54.6	2.1	51.7	2.0	48.6	1.9	45.5	1.8	43.5	1.7	
80	74	57.6	2.1	54.6	2.0	51.7	1.9	48.6	1.8	45.5	1.7	43.5	1.6	
50%	-13	-14	48.0	4.0	45.5	3.9	43.1	3.8	40.5	3.7	37.9	3.6	36.3	3.5
	-8	-9	48.0	4.0	45.5	3.9	43.1	3.8	40.5	3.7	37.9	3.6	36.3	3.5
	-3	-4	48.0	4.0	45.5	3.9	43.1	3.8	40.5	3.7	37.9	3.6	36.3	3.5
	2	1	48.0	4.0	45.5	3.9	43.1	3.8	40.5	3.7	37.9	3.5	36.3	3.5
	7	6	48.0	3.9	45.5	3.8	43.1	3.7	40.5	3.6	37.9	3.5	36.3	3.4
	12	10	48.0	3.8	45.5	3.7	43.1	3.6	40.5	3.5	37.9	3.4	36.3	3.3
	17	15	48.0	3.7	45.5	3.6	43.1	3.5	40.5	3.4	37.9	3.3	36.3	3.2
	22	20	48.0	3.6	45.5	3.5	43.1	3.4	40.5	3.3	37.9	3.1	36.3	3.1
	27	24	48.0	3.4	45.5	3.3	43.1	3.2	40.5	3.1	37.9	3.0	36.3	2.9
	32	29	48.0	3.3	45.5	3.2	43.1	3.1	40.5	3.0	37.9	2.9	36.3	2.7
	37	34	48.0	3.2	45.5	3.1	43.1	3.0	40.5	2.8	37.9	2.6	36.3	2.4
	42	38	48.0	3.0	45.5	2.9	43.1	2.7	40.5	2.5	37.9	2.3	36.3	2.2
	47	43	48.0	2.8	45.5	2.7	43.1	2.5	40.5	2.3	37.9	2.1	36.3	2.0
	52	47	48.0	2.6	45.5	2.4	43.1	2.3	40.5	2.1	37.9	2.0	36.3	1.9
	57	52	48.0	2.4	45.5	2.2	43.1	2.1	40.5	2.0	37.9	1.8	36.3	1.7
	62	56	48.0	2.2	45.5	2.1	43.1	1.9	40.5	1.8	37.9	1.7	36.3	1.6
	67	61	48.0	2.0	45.5	1.9	43.1	1.8	40.5	1.7	37.9	1.6	36.3	1.5
	72	66	48.0	1.9	45.5	1.8	43.1	1.7	40.5	1.6	37.9	1.5	36.3	1.4
75	69	48.0	1.8	45.5	1.7	43.1	1.6	40.5	1.5	37.9	1.4	36.3	1.4	
80	74	48.0	1.7	45.5	1.6	43.1	1.5	40.5	1.5	37.9	1.4	36.3	1.3	

NOTE - Power Input = Compressor + Outdoor Fan Motor.  
 MBH = 1000 BTUs per hour.

# COOLING CAPACITY - SINGLE MODULE | VRB096H4

Combination (%)	Outdoor Temperature °F (Dry Bulb)	Indoor Temperature - °F (Dry Bulb / Wet Bulb)											
		67 / 57		71 / 60		75 / 63		80 / 67		85 / 71		90 / 75	
		Total Cap.	Power Input	Total Cap.	Power Input	Total Cap.	Power Input	Total Cap.	Power Input	Total Cap.	Power Input	Total Cap.	Power Input
		MBH	kW	MBH	kW	MBH	kW	MBH	kW	MBH	kW	MBH	kW
130%	-10	73.6	2.0	89.4	2.5	104.3	2.9	124.8	3.6	146.2	4.3	166.7	5.0
	-5	73.6	2.1	89.4	2.6	104.3	3.1	124.8	3.8	146.2	4.5	159.2	5.1
	10	73.6	2.2	89.4	2.7	104.3	3.2	124.8	3.9	146.2	4.6	156.4	5.1
	15	73.6	2.2	89.4	2.7	104.3	3.2	124.8	4.0	146.2	4.7	153.5	5.1
	20	73.6	2.3	89.4	2.8	104.3	3.3	124.8	4.0	146.2	4.8	150.5	5.1
	25	73.6	2.3	89.4	2.9	104.3	3.4	124.8	4.1	146.2	4.9	147.4	5.1
	30	73.6	2.4	89.4	2.9	104.3	3.5	124.8	4.2	142.6	4.9	144.5	5.1
	35	73.6	2.4	89.4	3.0	104.3	3.6	124.8	4.3	139.9	5.0	141.8	5.1
	40	73.6	2.5	89.4	3.1	104.3	3.6	124.8	4.4	138.4	5.0	140.3	5.2
	45	73.6	2.6	89.4	3.2	104.3	3.7	124.8	4.5	138.2	5.1	140.1	5.3
	50	73.6	2.6	89.4	3.2	104.3	3.8	124.8	4.7	138.2	5.3	140.1	5.5
	55	73.6	2.7	89.4	3.3	104.3	3.9	124.8	4.8	138.4	5.4	140.3	5.6
	60	73.6	2.8	89.4	3.4	104.3	4.0	124.8	4.9	139.1	5.6	140.5	5.8
	65	73.6	2.9	89.4	3.5	104.3	4.1	124.8	5.1	138.1	5.7	140.8	6.0
	70	73.6	3.1	89.4	3.8	104.3	4.5	124.8	5.5	138.2	6.2	140.8	6.5
	75	73.6	3.4	89.4	4.2	104.3	4.9	124.8	6.0	137.9	6.8	140.5	7.1
	80	73.6	3.7	89.4	4.6	104.3	5.4	124.8	6.6	137.1	7.4	139.7	7.8
	85	73.6	4.1	89.4	5.1	104.3	6.0	124.8	7.3	135.6	8.1	138.2	8.4
	90	73.6	4.5	89.4	5.5	104.3	6.5	124.8	8.0	133.1	8.7	135.6	9.1
	95	73.6	4.9	89.4	6.0	104.3	7.1	120.4	8.4	122.4	8.7	124.3	9.1
100	73.6	5.3	89.4	6.6	104.3	7.8	115.0	8.7	116.9	9.1	119.1	9.4	
105	73.6	5.8	89.4	7.1	104.3	8.4	106.8	8.7	110.0	9.2	112.1	9.6	
110	73.6	6.2	89.4	7.6	94.4	8.1	98.0	8.6	101.0	9.0	102.9	9.4	
115	73.6	6.5	80.8	7.3	83.6	7.6	86.8	8.0	89.4	8.5	91.1	8.8	
118	70.1	6.4	73.2	6.8	75.7	7.1	78.6	7.5	81.0	7.9	82.5	8.2	
125	49.4	4.7	51.6	5.0	53.3	5.2	55.4	5.5	57.0	5.8	58.1	6.0	
120%	-10	67.9	1.8	82.5	2.2	96.3	2.7	115.2	3.2	135.0	3.9	153.9	4.5
	-5	67.9	1.9	82.5	2.4	96.3	2.8	115.2	3.4	135.0	4.1	153.9	4.8
	10	67.9	2.0	82.5	2.4	96.3	2.9	115.2	3.5	135.0	4.2	153.8	4.9
	15	67.9	2.0	82.5	2.5	96.3	2.9	115.2	3.6	135.0	4.3	150.8	4.9
	20	67.9	2.1	82.5	2.5	96.3	3.0	115.2	3.7	135.0	4.4	147.8	4.9
	25	67.9	2.1	82.5	2.6	96.3	3.1	115.2	3.8	135.0	4.5	144.8	4.9
	30	67.9	2.2	82.5	2.7	96.3	3.2	115.2	3.8	135.0	4.6	141.9	5.0
	35	67.9	2.2	82.5	2.7	96.3	3.2	115.2	3.9	135.0	4.7	139.2	5.0
	40	67.9	2.3	82.5	2.8	96.3	3.3	115.2	4.0	135.0	4.8	137.7	5.0
	45	67.9	2.3	82.5	2.9	96.3	3.4	115.2	4.1	135.0	4.9	137.5	5.2
	50	67.9	2.4	82.5	2.9	96.3	3.5	115.2	4.2	135.0	5.1	137.5	5.3
	55	67.9	2.5	82.5	3.0	96.3	3.6	115.2	4.3	135.0	5.2	137.6	5.4
	60	67.9	2.5	82.5	3.1	96.3	3.7	115.2	4.5	135.0	5.4	137.9	5.6
	65	67.9	2.6	82.5	3.2	96.3	3.8	115.2	4.6	135.0	5.5	138.1	5.8
	70	67.9	2.8	82.5	3.5	96.3	4.1	115.2	5.0	135.0	6.0	138.2	6.3
	75	67.9	3.1	82.5	3.8	96.3	4.5	115.2	5.5	135.0	6.6	137.9	6.9
	80	67.9	3.4	82.5	4.2	96.3	4.9	115.2	6.0	134.5	7.2	137.1	7.5
	85	67.9	3.7	82.5	4.6	96.3	5.4	115.2	6.6	133.0	7.8	135.6	8.1
	90	67.9	4.1	82.5	5.0	96.3	5.9	115.2	7.2	130.5	8.4	133.0	8.8
	95	67.9	4.5	82.5	5.5	96.3	6.5	115.2	7.9	122.4	8.6	124.3	8.9
100	67.9	4.9	82.5	6.0	96.3	7.0	115.2	8.6	116.9	8.9	119.1	9.3	
105	67.9	5.2	82.5	6.4	96.3	7.6	106.8	8.6	110.0	9.1	112.1	9.5	
110	67.9	5.6	82.5	6.9	94.4	8.0	98.0	8.4	101.0	8.9	102.9	9.3	
115	67.9	5.9	80.8	7.1	83.6	7.5	86.8	7.9	89.4	8.3	91.1	8.7	
118	67.9	6.1	73.2	6.7	75.7	7.0	78.6	7.4	81.0	7.8	82.5	8.1	
125	49.4	4.6	51.6	4.9	53.3	5.1	55.4	5.4	57.0	5.7	58.1	6.0	

NOTE - Power Input = Compressor + Outdoor Fan Motor.  
 MBH = 1000 BTUs per hour.



# COOLING CAPACITY - SINGLE MODULE | VRB096H4

Combination (%)	Outdoor Temperature °F (Dry Bulb)	Indoor Temperature - °F (Dry Bulb / Wet Bulb)											
		67 / 57		71 / 60		75 / 63		80 / 67		85 / 71		90 / 75	
		Total Cap.	Power Input	Total Cap.	Power Input	Total Cap.	Power Input	Total Cap.	Power Input	Total Cap.	Power Input	Total Cap.	Power Input
		MBH	KW	MBH	KW	MBH	KW	MBH	KW	MBH	KW	MBH	KW
110%	-10	62.3	1.7	75.7	2.0	88.3	2.4	105.6	2.9	123.7	3.5	141.1	4.1
	-5	62.3	1.8	75.7	2.2	88.3	2.5	105.6	3.1	123.7	3.7	141.1	4.3
	10	62.3	1.8	75.7	2.2	88.3	2.6	105.6	3.2	123.7	3.8	141.1	4.4
	15	62.3	1.8	75.7	2.3	88.3	2.7	105.6	3.2	123.7	3.9	141.1	4.5
	20	62.3	1.9	75.7	2.3	88.3	2.7	105.6	3.3	123.7	4.0	141.1	4.6
	25	62.3	1.9	75.7	2.4	88.3	2.8	105.6	3.4	123.7	4.1	141.1	4.7
	30	62.3	2.0	75.7	2.4	88.3	2.8	105.6	3.5	123.7	4.2	139.3	4.8
	35	62.3	2.0	75.7	2.5	88.3	2.9	105.6	3.6	123.7	4.3	136.6	4.8
	40	62.3	2.1	75.7	2.5	88.3	3.0	105.6	3.6	123.7	4.4	135.0	4.9
	45	62.3	2.1	75.7	2.6	88.3	3.1	105.6	3.7	123.7	4.5	134.8	5.0
	50	62.3	2.2	75.7	2.7	88.3	3.1	105.6	3.8	123.7	4.6	134.8	5.1
	55	62.3	2.2	75.7	2.7	88.3	3.2	105.6	3.9	123.7	4.7	135.0	5.3
	60	62.3	2.3	75.7	2.8	88.3	3.3	105.6	4.0	123.7	4.8	135.2	5.4
	65	62.3	2.3	75.7	2.9	88.3	3.4	105.6	4.1	123.7	5.0	135.5	5.6
	70	62.3	2.5	75.7	3.1	88.3	3.7	105.6	4.5	123.7	5.4	135.5	6.1
	75	62.3	2.8	75.7	3.4	88.3	4.1	105.6	4.9	123.7	5.9	135.2	6.6
	80	62.3	3.1	75.7	3.8	88.3	4.5	105.6	5.4	123.7	6.5	134.5	7.2
	85	62.3	3.4	75.7	4.1	88.3	4.9	105.6	6.0	123.7	7.1	133.0	7.9
	90	62.3	3.7	75.7	4.5	88.3	5.4	105.6	6.5	123.7	7.8	130.5	8.5
	95	62.3	4.0	75.7	5.0	88.3	5.9	105.6	7.1	123.7	8.5	124.3	8.8
100	62.3	4.4	75.7	5.4	88.3	6.4	105.6	7.8	116.9	8.8	119.1	9.2	
105	62.3	4.7	75.7	5.8	88.3	6.9	105.6	8.4	110.0	8.9	112.1	9.3	
110	62.3	5.1	75.7	6.2	88.3	7.4	98.0	8.3	101.0	8.8	102.9	9.1	
115	62.3	5.4	75.7	6.6	83.6	7.4	86.8	7.8	89.4	8.2	91.1	8.6	
118	62.3	5.5	73.2	6.6	75.7	6.9	78.6	7.3	81.0	7.6	82.5	8.0	
125	49.4	4.6	51.6	4.8	53.3	5.0	55.4	5.3	57.0	5.6	58.1	5.9	
100%	-10	56.6	1.5	68.8	1.8	80.2	2.1	96.0	2.6	112.5	3.1	128.2	3.7
	-5	56.6	1.6	68.8	1.9	80.2	2.3	96.0	2.8	112.5	3.3	128.2	3.9
	10	56.6	1.6	68.8	2.0	80.2	2.3	96.0	2.8	112.5	3.4	128.2	4.0
	15	56.6	1.6	68.8	2.0	80.2	2.4	96.0	2.9	112.5	3.5	128.2	4.1
	20	56.6	1.7	68.8	2.1	80.2	2.4	96.0	3.0	112.5	3.6	128.2	4.1
	25	56.6	1.7	68.8	2.1	80.2	2.5	96.0	3.0	112.5	3.6	128.2	4.2
	30	56.6	1.8	68.8	2.2	80.2	2.5	96.0	3.1	112.5	3.7	128.2	4.3
	35	56.6	1.8	68.8	2.2	80.2	2.6	96.0	3.2	112.5	3.8	128.2	4.4
	40	56.6	1.8	68.8	2.3	80.2	2.7	96.0	3.3	112.5	3.9	128.2	4.6
	45	56.6	1.9	68.8	2.3	80.2	2.7	96.0	3.3	112.5	4.0	128.2	4.7
	50	56.6	1.9	68.8	2.4	80.2	2.8	96.0	3.4	112.5	4.1	128.2	4.8
	55	56.6	2.0	68.8	2.4	80.2	2.9	96.0	3.5	112.5	4.2	128.2	4.9
	60	56.6	2.0	68.8	2.5	80.2	3.0	96.0	3.6	112.5	4.3	128.2	5.1
	65	56.6	2.1	68.8	2.6	80.2	3.0	96.0	3.7	112.5	4.4	128.2	5.2
	70	56.6	2.3	68.8	2.8	80.2	3.3	96.0	4.0	112.5	4.8	128.2	5.6
	75	56.6	2.5	68.8	3.1	80.2	3.6	96.0	4.4	112.5	5.3	128.2	6.2
	80	56.6	2.8	68.8	3.4	80.2	4.0	96.0	4.9	112.5	5.8	128.2	6.8
	85	56.6	3.0	68.8	3.7	80.2	4.4	96.0	5.3	112.5	6.4	128.2	7.5
	90	56.6	3.3	68.8	4.1	80.2	4.8	96.0	5.8	112.5	7.0	127.9	8.2
	95	56.6	3.6	68.8	4.4	80.2	5.2	<b>96.0</b>	<b>6.4</b>	112.5	7.7	124.3	8.7
100	56.6	3.9	68.8	4.8	80.2	5.7	96.0	6.9	112.5	8.3	119.1	9.0	
105	56.6	4.2	68.8	5.2	80.2	6.2	96.0	7.5	110.0	8.8	112.1	9.2	
110	56.6	4.5	68.8	5.6	80.2	6.6	96.0	8.0	101.0	8.6	102.9	9.0	
115	56.6	4.8	68.8	5.9	80.2	7.0	86.8	7.7	89.4	8.1	91.1	8.4	
118	56.6	4.9	68.8	6.1	75.7	6.8	78.6	7.1	81.0	7.5	82.5	7.9	
125	49.4	4.5	51.6	4.7	53.3	5.0	55.4	5.3	57.0	5.5	58.1	5.8	

NOTE - Power Input = Compressor + Outdoor Fan Motor.  
 MBH = 1000 BTUs per hour.

# COOLING CAPACITY - SINGLE MODULE | VRB096H4

Combination (%)	Outdoor Temperature °F (Dry Bulb)	Indoor Temperature - °F (Dry Bulb / Wet Bulb)											
		67 / 57		71 / 60		75 / 63		80 / 67		85 / 71		90 / 75	
		Total Cap.	Power Input	Total Cap.	Power Input	Total Cap.	Power Input	Total Cap.	Power Input	Total Cap.	Power Input	Total Cap.	Power Input
		MBH	kW	MBH	kW	MBH	kW	MBH	kW	MBH	kW	MBH	kW
90%	-10	50.9	1.3	61.9	1.6	72.2	1.9	86.4	2.3	101.2	2.8	115.4	3.2
	-5	50.9	1.4	61.9	1.7	72.2	2.0	86.4	2.5	101.2	3.0	115.4	3.4
	10	50.9	1.4	61.9	1.7	72.2	2.1	86.4	2.5	101.2	3.0	115.4	3.5
	15	50.9	1.5	61.9	1.8	72.2	2.1	86.4	2.6	101.2	3.1	115.4	3.6
	20	50.9	1.5	61.9	1.8	72.2	2.2	86.4	2.6	101.2	3.1	115.4	3.7
	25	50.9	1.5	61.9	1.9	72.2	2.2	86.4	2.7	101.2	3.2	115.4	3.8
	30	50.9	1.6	61.9	1.9	72.2	2.3	86.4	2.8	101.2	3.3	115.4	3.9
	35	50.9	1.6	61.9	2.0	72.2	2.3	86.4	2.8	101.2	3.4	115.4	3.9
	40	50.9	1.6	61.9	2.0	72.2	2.4	86.4	2.9	101.2	3.5	115.4	4.0
	45	50.9	1.7	61.9	2.1	72.2	2.4	86.4	3.0	101.2	3.5	115.4	4.1
	50	50.9	1.7	61.9	2.1	72.2	2.5	86.4	3.0	101.2	3.6	115.4	4.2
	55	50.9	1.8	61.9	2.2	72.2	2.6	86.4	3.1	101.2	3.7	115.4	4.4
	60	50.9	1.8	61.9	2.2	72.2	2.6	86.4	3.2	101.2	3.8	115.4	4.5
	65	50.9	1.9	61.9	2.3	72.2	2.7	86.4	3.3	101.2	3.9	115.4	4.6
	70	50.9	2.0	61.9	2.5	72.2	2.9	86.4	3.6	101.2	4.3	115.4	5.0
	75	50.9	2.2	61.9	2.7	72.2	3.2	86.4	3.9	101.2	4.7	115.4	5.5
	80	50.9	2.4	61.9	3.0	72.2	3.5	86.4	4.3	101.2	5.2	115.4	6.0
	85	50.9	2.7	61.9	3.3	72.2	3.9	86.4	4.7	101.2	5.7	115.4	6.6
	90	50.9	2.9	61.9	3.6	72.2	4.3	86.4	5.2	101.2	6.2	115.4	7.3
	95	50.9	3.2	61.9	3.9	72.2	4.6	86.4	5.7	101.2	6.8	115.4	7.9
100	50.9	3.5	61.9	4.3	72.2	5.1	86.4	6.2	101.2	7.4	115.4	8.6	
105	50.9	3.8	61.9	4.6	72.2	5.5	86.4	6.6	101.2	8.0	112.1	9.0	
110	50.9	4.0	61.9	4.9	72.2	5.8	86.4	7.1	101.0	8.5	102.9	8.9	
115	50.9	4.3	61.9	5.2	72.2	6.2	86.4	7.5	89.4	8.0	91.1	8.3	
118	50.9	4.4	61.9	5.4	72.2	6.4	78.6	7.0	81.0	7.4	82.5	7.7	
125	49.4	4.4	51.6	4.7	53.3	4.9	55.4	5.2	57.0	5.5	58.1	5.7	
80%	-10	45.3	1.1	55.0	1.4	64.2	1.7	76.8	2.0	90.0	2.4	102.6	2.8
	-5	45.3	1.2	55.0	1.5	64.2	1.8	76.8	2.2	90.0	2.6	102.6	3.0
	10	45.3	1.2	55.0	1.5	64.2	1.8	76.8	2.2	90.0	2.6	102.6	3.1
	15	45.3	1.3	55.0	1.6	64.2	1.8	76.8	2.3	90.0	2.7	102.6	3.2
	20	45.3	1.3	55.0	1.6	64.2	1.9	76.8	2.3	90.0	2.8	102.6	3.2
	25	45.3	1.3	55.0	1.6	64.2	1.9	76.8	2.4	90.0	2.8	102.6	3.3
	30	45.3	1.4	55.0	1.7	64.2	2.0	76.8	2.4	90.0	2.9	102.6	3.4
	35	45.3	1.4	55.0	1.7	64.2	2.0	76.8	2.5	90.0	3.0	102.6	3.5
	40	45.3	1.4	55.0	1.8	64.2	2.1	76.8	2.5	90.0	3.0	102.6	3.5
	45	45.3	1.5	55.0	1.8	64.2	2.1	76.8	2.6	90.0	3.1	102.6	3.6
	50	45.3	1.5	55.0	1.8	64.2	2.2	76.8	2.7	90.0	3.2	102.6	3.7
	55	45.3	1.5	55.0	1.9	64.2	2.2	76.8	2.7	90.0	3.3	102.6	3.8
	60	45.3	1.6	55.0	1.9	64.2	2.3	76.8	2.8	90.0	3.4	102.6	3.9
	65	45.3	1.6	55.0	2.0	64.2	2.4	76.8	2.9	90.0	3.5	102.6	4.0
	70	45.3	1.8	55.0	2.2	64.2	2.6	76.8	3.1	90.0	3.8	102.6	4.4
	75	45.3	1.9	55.0	2.4	64.2	2.8	76.8	3.4	90.0	4.1	102.6	4.8
	80	45.3	2.1	55.0	2.6	64.2	3.1	76.8	3.8	90.0	4.5	102.6	5.3
	85	45.3	2.3	55.0	2.9	64.2	3.4	76.8	4.1	90.0	5.0	102.6	5.8
	90	45.3	2.6	55.0	3.2	64.2	3.7	76.8	4.5	90.0	5.4	102.6	6.4
	95	45.3	2.8	55.0	3.4	64.2	4.1	76.8	5.0	90.0	5.9	102.6	6.9
100	45.3	3.0	55.0	3.7	64.2	4.4	76.8	5.4	90.0	6.5	102.6	7.5	
105	45.3	3.3	55.0	4.0	64.2	4.8	76.8	5.8	90.0	7.0	102.6	8.1	
110	45.3	3.5	55.0	4.3	64.2	5.1	76.8	6.2	90.0	7.5	102.6	8.7	
115	45.3	3.7	55.0	4.6	64.2	5.4	76.8	6.6	89.4	7.8	91.1	8.2	
118	45.3	3.8	55.0	4.7	64.2	5.6	76.8	6.8	81.0	7.3	82.5	7.6	
125	45.3	4.0	51.6	4.6	53.3	4.8	55.4	5.1	57.0	5.4	58.1	5.6	

NOTE - Power Input = Compressor + Outdoor Fan Motor.  
MBH = 1000 BTUs per hour.

# COOLING CAPACITY - SINGLE MODULE | VRB096H4

Combination (%)	Outdoor Temperature °F (Dry Bulb)	Indoor Temperature - °F (Dry Bulb / Wet Bulb)											
		67 / 57		71 / 60		75 / 63		80 / 67		85 / 71		90 / 75	
		Total Cap.	Power Input	Total Cap.	Power Input	Total Cap.	Power Input	Total Cap.	Power Input	Total Cap.	Power Input	Total Cap.	Power Input
		MBH	KW	MBH	KW	MBH	KW	MBH	KW	MBH	KW	MBH	KW
70%	-10	39.6	1.0	48.1	1.2	56.2	1.4	67.2	1.8	78.7	2.1	89.8	2.5
	-5	39.6	1.1	48.1	1.3	56.2	1.5	67.2	1.9	78.7	2.2	89.8	2.6
	10	39.6	1.1	48.1	1.3	56.2	1.6	67.2	1.9	78.7	2.3	89.8	2.7
	15	39.6	1.1	48.1	1.4	56.2	1.6	67.2	1.9	78.7	2.3	89.8	2.7
	20	39.6	1.1	48.1	1.4	56.2	1.6	67.2	2.0	78.7	2.4	89.8	2.8
	25	39.6	1.1	48.1	1.4	56.2	1.7	67.2	2.0	78.7	2.4	89.8	2.8
	30	39.6	1.2	48.1	1.4	56.2	1.7	67.2	2.1	78.7	2.5	89.8	2.9
	35	39.6	1.2	48.1	1.5	56.2	1.7	67.2	2.1	78.7	2.6	89.8	3.0
	40	39.6	1.2	48.1	1.5	56.2	1.8	67.2	2.2	78.7	2.6	89.8	3.1
	45	39.6	1.3	48.1	1.6	56.2	1.8	67.2	2.2	78.7	2.7	89.8	3.1
	50	39.6	1.3	48.1	1.6	56.2	1.9	67.2	2.3	78.7	2.7	89.8	3.2
	55	39.6	1.3	48.1	1.6	56.2	1.9	67.2	2.4	78.7	2.8	89.8	3.3
	60	39.6	1.4	48.1	1.7	56.2	2.0	67.2	2.4	78.7	2.9	89.8	3.4
	65	39.6	1.4	48.1	1.7	56.2	2.0	67.2	2.5	78.7	3.0	89.8	3.5
	70	39.6	1.5	48.1	1.9	56.2	2.2	67.2	2.7	78.7	3.2	89.8	3.8
	75	39.6	1.7	48.1	2.1	56.2	2.4	67.2	3.0	78.7	3.6	89.8	4.2
	80	39.6	1.8	48.1	2.3	56.2	2.7	67.2	3.3	78.7	3.9	89.8	4.6
	85	39.6	2.0	48.1	2.5	56.2	2.9	67.2	3.6	78.7	4.3	89.8	5.0
	90	39.6	2.2	48.1	2.7	56.2	3.2	67.2	3.9	78.7	4.7	89.8	5.5
	95	39.6	2.4	48.1	3.0	56.2	3.5	67.2	4.3	78.7	5.1	89.8	6.0
100	39.6	2.6	48.1	3.2	56.2	3.8	67.2	4.7	78.7	5.6	89.8	6.5	
105	39.6	2.8	48.1	3.5	56.2	4.1	67.2	5.0	78.7	6.0	89.8	7.0	
110	39.6	3.0	48.1	3.7	56.2	4.4	67.2	5.4	78.7	6.4	89.8	7.5	
115	39.6	3.2	48.1	4.0	56.2	4.7	67.2	5.7	78.7	6.8	89.8	8.0	
118	39.6	3.3	48.1	4.1	56.2	4.8	67.2	5.8	78.7	7.0	82.5	7.5	
125	39.6	3.4	48.1	4.2	53.3	4.8	55.4	5.0	57.0	5.3	58.1	5.5	
60%	-10	34.0	0.8	41.3	1.0	48.1	1.2	57.6	1.5	67.5	1.8	76.9	2.1
	-5	34.0	0.9	41.3	1.1	48.1	1.3	57.6	1.6	67.5	1.9	76.9	2.2
	10	34.0	0.9	41.3	1.1	48.1	1.3	57.6	1.6	67.5	1.9	76.9	2.2
	15	34.0	0.9	41.3	1.1	48.1	1.3	57.6	1.6	67.5	2.0	76.9	2.3
	20	34.0	0.9	41.3	1.2	48.1	1.4	57.6	1.7	67.5	2.0	76.9	2.3
	25	34.0	1.0	41.3	1.2	48.1	1.4	57.6	1.7	67.5	2.1	76.9	2.4
	30	34.0	1.0	41.3	1.2	48.1	1.4	57.6	1.8	67.5	2.1	76.9	2.5
	35	34.0	1.0	41.3	1.3	48.1	1.5	57.6	1.8	67.5	2.2	76.9	2.5
	40	34.0	1.0	41.3	1.3	48.1	1.5	57.6	1.8	67.5	2.2	76.9	2.6
	45	34.0	1.1	41.3	1.3	48.1	1.6	57.6	1.9	67.5	2.3	76.9	2.6
	50	34.0	1.1	41.3	1.3	48.1	1.6	57.6	1.9	67.5	2.3	76.9	2.7
	55	34.0	1.1	41.3	1.4	48.1	1.6	57.6	2.0	67.5	2.4	76.9	2.8
	60	34.0	1.2	41.3	1.4	48.1	1.7	57.6	2.0	67.5	2.4	76.9	2.9
	65	34.0	1.2	41.3	1.5	48.1	1.7	57.6	2.1	67.5	2.5	76.9	2.9
	70	34.0	1.3	41.3	1.6	48.1	1.9	57.6	2.3	67.5	2.7	76.9	3.2
	75	34.0	1.4	41.3	1.7	48.1	2.1	57.6	2.5	67.5	3.0	76.9	3.5
	80	34.0	1.6	41.3	1.9	48.1	2.3	57.6	2.8	67.5	3.3	76.9	3.9
	85	34.0	1.7	41.3	2.1	48.1	2.5	57.6	3.0	67.5	3.6	76.9	4.2
	90	34.0	1.9	41.3	2.3	48.1	2.7	57.6	3.3	67.5	4.0	76.9	4.6
	95	34.0	2.0	41.3	2.5	48.1	3.0	57.6	3.6	67.5	4.3	76.9	5.1
100	34.0	2.2	41.3	2.7	48.1	3.2	57.6	3.9	67.5	4.7	76.9	5.5	
105	34.0	2.4	41.3	2.9	48.1	3.5	57.6	4.2	67.5	5.1	76.9	5.9	
110	34.0	2.6	41.3	3.2	48.1	3.7	57.6	4.5	67.5	5.4	76.9	6.4	
115	34.0	2.7	41.3	3.3	48.1	3.9	57.6	4.8	67.5	5.8	76.9	6.7	
118	34.0	2.8	41.3	3.4	48.1	4.1	57.6	4.9	67.5	5.9	76.9	6.9	
125	34.0	2.9	41.3	3.6	48.1	4.2	55.4	5.0	57.0	5.2	58.1	5.4	

NOTE - Power Input = Compressor + Outdoor Fan Motor.  
 MBH = 1000 BTUs per hour.

## COOLING CAPACITY - SINGLE MODULE | VRB096H4

Combination (%)	Outdoor Temperature °F (Dry Bulb)	Indoor Temperature - °F (Dry Bulb / Wet Bulb)											
		67 / 57		71 / 60		75 / 63		80 / 67		85 / 71		90 / 75	
		Total Cap.	Power Input	Total Cap.	Power Input	Total Cap.	Power Input	Total Cap.	Power Input	Total Cap.	Power Input	Total Cap.	Power Input
		MBH	kW	MBH	kW	MBH	kW	MBH	kW	MBH	kW	MBH	kW
50%	-10	27.3	0.7	34.4	0.8	40.1	1.0	48.0	1.2	56.2	1.5	64.1	1.7
	-5	28.3	0.7	34.4	0.9	40.1	1.1	48.0	1.3	56.2	1.5	64.1	1.8
	10	28.3	0.7	34.4	0.9	40.1	1.1	48.0	1.3	56.2	1.6	64.1	1.8
	15	28.3	0.8	34.4	0.9	40.1	1.1	48.0	1.3	56.2	1.6	64.1	1.9
	20	28.3	0.8	34.4	1.0	40.1	1.1	48.0	1.4	56.2	1.7	64.1	1.9
	25	28.3	0.8	34.4	1.0	40.1	1.2	48.0	1.4	56.2	1.7	64.1	2.0
	30	28.3	0.8	34.4	1.0	40.1	1.2	48.0	1.4	56.2	1.7	64.1	2.0
	35	28.3	0.8	34.4	1.0	40.1	1.2	48.0	1.5	56.2	1.8	64.1	2.1
	40	28.3	0.9	34.4	1.1	40.1	1.2	48.0	1.5	56.2	1.8	64.1	2.1
	45	28.3	0.9	34.4	1.1	40.1	1.3	48.0	1.6	56.2	1.9	64.1	2.2
	50	28.3	0.9	34.4	1.1	40.1	1.3	48.0	1.6	56.2	1.9	64.1	2.2
	55	28.3	0.9	34.4	1.1	40.1	1.3	48.0	1.6	56.2	2.0	64.1	2.3
	60	28.3	0.9	34.4	1.2	40.1	1.4	48.0	1.7	56.2	2.0	64.1	2.3
	65	28.3	1.0	34.4	1.2	40.1	1.4	48.0	1.7	56.2	2.1	64.1	2.4
	70	28.3	1.1	34.4	1.3	40.1	1.5	48.0	1.9	56.2	2.2	64.1	2.6
	75	28.3	1.2	34.4	1.4	40.1	1.7	48.0	2.1	56.2	2.5	64.1	2.9
	80	28.3	1.3	34.4	1.6	40.1	1.9	48.0	2.3	56.2	2.7	64.1	3.2
	85	28.3	1.4	34.4	1.7	40.1	2.0	48.0	2.5	56.2	3.0	64.1	3.5
90	28.3	1.5	34.4	1.9	40.1	2.2	48.0	2.7	56.2	3.3	64.1	3.8	
95	28.3	1.7	34.4	2.1	40.1	2.4	48.0	3.0	56.2	3.6	64.1	4.2	
100	28.3	1.8	34.4	2.2	40.1	2.7	48.0	3.2	56.2	3.9	64.1	4.5	
105	28.3	2.0	34.4	2.4	40.1	2.9	48.0	3.5	56.2	4.2	64.1	4.9	
110	28.3	2.1	34.4	2.6	40.1	3.1	48.0	3.7	56.2	4.5	64.1	5.2	
115	28.3	2.2	34.4	2.7	40.1	3.2	48.0	3.9	56.2	4.7	64.1	5.5	
118	28.3	2.3	34.4	2.8	40.1	3.3	48.0	4.1	56.2	4.9	64.1	5.7	
125	28.3	2.4	34.4	2.9	40.1	3.5	48.0	4.2	56.2	5.1	58.1	5.4	

NOTE - Power Input = Compressor + Outdoor Fan Motor.  
 MBH = 1000 BTUs per hour.

# HEATING CAPACITY - SINGLE MODULE | VRB096H4

Combination (%)	Outdoor Temperature (°F)		Indoor Temperature - °F Dry Bulb											
			61		64		67		70		73		75	
			Total Cap. MBH	Power Input kW	Total Cap. MBH	Power Input kW	Total Cap. MBH	Power Input kW	Total Cap. MBH	Power Input kW	Total Cap. MBH	Power Input kW	Total Cap. MBH	Power Input kW
Dry Bulb	Wet Bulb													
130%	-13	-14	63.5	5.9	63.3	6.1	63.2	6.2	63.0	6.4	62.9	6.6	62.8	6.8
	-8	-9	68.0	6.3	67.8	6.5	67.7	6.7	67.5	6.9	67.3	7.1	67.2	7.2
	-3	-4	74.2	6.9	74.1	7.1	73.9	7.3	73.7	7.5	73.5	7.7	73.4	7.8
	2	1	81.7	7.5	81.5	7.7	81.3	7.9	81.1	8.1	80.9	8.3	80.7	8.5
	7	6	89.8	8.1	89.5	8.3	89.3	8.5	89.1	8.7	88.9	9.0	88.7	9.2
	12	10	98.0	8.6	97.7	8.8	97.5	9.0	97.3	9.3	97.0	9.6	96.8	9.7
	17	15	106.0	9.1	105.7	9.3	105.5	9.5	105.2	9.7	104.9	10.0	104.8	10.2
	22	20	113.4	9.4	113.2	9.6	112.9	9.8	112.6	10.1	112.3	10.3	112.1	10.5
	27	24	120.1	9.5	119.8	9.8	119.5	10.0	119.2	10.2	118.9	10.5	118.7	10.6
	32	29	125.8	9.6	125.5	9.8	125.2	10.0	124.8	10.2	124.6	10.4	124.4	10.2
	37	34	130.4	9.5	130.1	9.7	129.7	9.9	129.5	9.9	129.3	9.7	125.8	9.3
	42	38	133.9	9.3	133.7	9.5	133.5	9.4	133.3	9.2	131.5	8.9	125.8	8.5
	47	43	140.8	9.2	140.6	9.1	140.4	9.0	140.1	8.8	131.5	8.2	125.8	7.8
	52	47	153.4	9.1	153.2	9.0	149.3	8.7	140.4	8.1	131.5	7.5	125.8	7.2
	57	52	165.4	9.1	157.6	8.6	149.3	8.1	140.4	7.5	131.5	7.0	125.8	6.6
	62	56	166.5	8.4	157.6	7.9	149.3	7.5	140.4	7.0	131.5	6.5	125.8	6.2
	67	61	166.5	7.8	157.6	7.4	149.3	7.0	140.4	6.5	131.5	6.1	125.8	5.8
	72	66	166.5	7.3	157.6	6.9	149.3	6.5	140.4	6.1	131.5	5.7	125.8	5.5
	75	69	166.5	7.0	157.6	6.7	149.3	6.3	140.4	5.9	131.5	5.5	125.8	5.3
	80	74	166.5	6.6	157.6	6.3	149.3	5.9	140.4	5.6	131.5	5.2	125.8	5.0
120%	-13	-14	63.3	5.8	63.1	6.0	62.9	6.1	62.8	6.3	62.6	6.5	62.5	6.6
	-8	-9	67.7	6.2	67.5	6.4	67.4	6.6	67.2	6.8	67.0	7.0	66.9	7.1
	-3	-4	74.0	6.8	73.8	6.9	73.6	7.1	73.4	7.3	73.2	7.5	73.1	7.7
	2	1	81.4	7.3	81.2	7.5	81.0	7.7	80.8	8.0	80.5	8.2	80.4	8.3
	7	6	89.4	7.9	89.2	8.1	89.0	8.3	88.7	8.6	88.5	8.8	88.4	9.0
	12	10	97.6	8.4	97.4	8.7	97.1	8.9	96.9	9.1	96.6	9.4	96.5	9.5
	17	15	105.6	8.9	105.3	9.1	105.1	9.3	104.8	9.6	104.5	9.8	104.3	10.0
	22	20	113.0	9.2	112.7	9.4	112.4	9.6	112.2	9.9	111.9	10.1	111.7	10.3
	27	24	119.6	9.4	119.3	9.6	119.0	9.8	118.7	10.0	118.4	10.3	116.1	10.2
	32	29	125.3	9.4	125.0	9.6	124.7	9.8	124.3	10.0	121.4	10.0	116.1	9.4
	37	34	129.9	9.3	129.5	9.5	129.2	9.7	129.0	9.7	121.4	8.9	116.1	8.4
	42	38	133.4	9.1	133.2	9.3	133.0	9.2	129.6	8.8	121.4	8.1	116.1	7.7
	47	43	140.8	9.1	140.6	8.9	137.8	8.7	129.6	8.0	121.4	7.4	116.1	7.0
	52	47	153.4	9.0	145.5	8.5	137.8	7.9	129.6	7.4	121.4	6.8	116.1	6.5
	57	52	153.7	8.3	145.5	7.8	137.8	7.3	129.6	6.8	121.4	6.3	116.1	6.0
	62	56	153.7	7.7	145.5	7.2	137.8	6.8	129.6	6.4	121.4	5.9	116.1	5.6
	67	61	153.7	7.1	145.5	6.7	137.8	6.3	129.6	5.9	121.4	5.5	116.1	5.3
	72	66	153.7	6.6	145.5	6.3	137.8	5.9	129.6	5.6	121.4	5.2	116.1	5.0
	75	69	153.7	6.4	145.5	6.0	137.8	5.7	129.6	5.4	121.4	5.0	116.1	4.8
	80	74	153.7	6.0	145.5	5.7	137.8	5.4	129.6	5.1	121.4	4.8	116.1	4.6
110%	-13	-14	63.0	5.7	62.8	5.9	62.7	6.0	62.5	6.2	62.4	6.4	62.3	6.5
	-8	-9	67.5	6.1	67.3	6.3	67.1	6.4	66.9	6.6	66.8	6.8	66.7	7.0
	-3	-4	73.7	6.6	73.5	6.8	73.3	7.0	73.1	7.2	72.9	7.4	72.8	7.5
	2	1	81.0	7.2	80.8	7.4	80.6	7.6	80.4	7.8	80.2	8.0	80.1	8.2
	7	6	89.1	7.8	88.8	8.0	88.6	8.2	88.4	8.4	88.2	8.6	88.0	8.8
	12	10	97.2	8.3	97.0	8.5	96.7	8.7	96.5	8.9	96.2	9.2	96.1	9.4
	17	15	105.2	8.7	104.9	8.9	104.6	9.1	104.4	9.4	104.1	9.6	103.9	9.8
	22	20	112.6	9.0	112.3	9.2	112.0	9.4	111.7	9.7	111.3	9.9	106.4	9.7
	27	24	119.2	9.2	118.8	9.4	118.6	9.6	118.3	9.8	111.3	9.5	106.4	9.2
	32	29	124.8	9.2	124.5	9.4	124.2	9.6	118.8	9.4	111.3	9.0	106.4	8.5
	37	34	129.4	9.1	129.0	9.3	126.3	9.3	118.8	8.8	111.3	8.1	106.4	7.6
	42	38	132.9	9.0	132.6	9.1	126.3	8.6	118.8	8.0	111.3	7.3	106.4	6.9
	47	43	140.8	8.9	133.4	8.4	126.3	7.8	118.8	7.3	111.3	6.7	106.4	6.4
	52	47	140.9	8.1	133.4	7.6	126.3	7.2	118.8	6.7	111.3	6.2	106.4	5.9
	57	52	140.9	7.5	133.4	7.0	126.3	6.6	118.8	6.2	111.3	5.7	106.4	5.5
	62	56	140.9	6.9	133.4	6.5	126.3	6.1	118.8	5.7	111.3	5.3	106.4	5.1
	67	61	140.9	6.4	133.4	6.1	126.3	5.7	118.8	5.4	111.3	5.0	106.4	4.8
	72	66	140.9	6.0	133.4	5.7	126.3	5.4	118.8	5.0	111.3	4.7	106.4	4.5
	75	69	140.9	5.8	133.4	5.5	126.3	5.2	118.8	4.9	111.3	4.5	106.4	4.3
	80	74	140.9	5.4	133.4	5.1	126.3	4.9	118.8	4.6	111.3	4.3	106.4	4.1

NOTE - Power Input = Compressor + Outdoor Fan Motor.  
 MBH = 1000 BTUs per hour.

# HEATING CAPACITY - SINGLE MODULE | VRB096H4

Combination (%)	Outdoor Temperature (°F)		Indoor Temperature - °F Dry Bulb											
			61		64		67		70		73		75	
	Dry Bulb	Wet Bulb	Total Cap. MBH	Power Input kW	Total Cap. MBH	Power Input kW	Total Cap. MBH	Power Input kW	Total Cap. MBH	Power Input kW	Total Cap. MBH	Power Input kW	Total Cap. MBH	Power Input kW
100%	-13	-14	62.8	5.6	62.6	5.7	62.4	5.9	62.3	6.1	62.1	6.3	62.0	6.4
	-8	-9	67.2	6.0	67.0	6.2	66.8	6.3	66.7	6.5	66.5	6.7	66.4	6.8
	-3	-4	73.4	6.5	73.2	6.7	73.0	6.9	72.8	7.0	72.6	7.3	72.5	7.4
	2	1	80.7	7.1	80.5	7.3	80.3	7.4	80.1	7.7	79.9	7.9	79.8	8.0
	7	6	88.7	7.6	88.5	7.8	88.3	8.0	88.0	8.2	87.8	8.5	87.7	8.6
	12	10	96.8	8.1	96.6	8.3	96.4	8.5	96.1	8.8	95.9	9.0	95.7	9.2
	17	15	104.7	8.5	104.5	8.8	104.2	9.0	104.0	9.2	101.2	9.2	96.8	9.0
	22	20	112.1	8.8	111.8	9.0	111.5	9.3	108.0	9.2	101.2	8.9	96.8	8.6
	27	24	118.7	9.0	118.4	9.2	114.8	9.2	108.0	8.8	101.2	8.5	96.8	8.3
	32	29	124.3	9.1	121.2	9.0	114.8	8.8	108.0	8.5	101.2	8.1	96.8	7.6
	37	34	128.1	8.9	121.2	8.6	114.8	8.4	108.0	7.9	101.2	7.2	96.8	6.8
	42	38	128.1	8.5	121.2	8.2	114.8	7.7	108.0	7.1	101.2	6.6	96.8	6.2
	47	43	128.1	8.0	121.2	7.5	114.8	7.0	108.0	6.5	101.2	6.0	96.8	5.7
	52	47	128.1	7.3	121.2	6.8	114.8	6.4	108.0	6.0	101.2	5.5	96.8	5.3
	57	52	128.1	6.7	121.2	6.3	114.8	5.9	108.0	5.5	101.2	5.1	96.8	4.9
	62	56	128.1	6.2	121.2	5.8	114.8	5.5	108.0	5.1	101.2	4.8	96.8	4.6
	67	61	128.1	5.8	121.2	5.4	114.8	5.1	108.0	4.8	101.2	4.5	96.8	4.3
	72	66	128.1	5.4	121.2	5.1	114.8	4.8	108.0	4.5	101.2	4.2	96.8	4.0
75	69	128.1	5.2	121.2	4.9	114.8	4.6	108.0	4.3	101.2	4.1	96.8	3.9	
80	74	128.1	4.9	121.2	4.6	114.8	4.4	108.0	4.1	101.2	3.8	96.8	3.7	
90%	-13	-14	62.5	5.5	62.3	5.6	62.2	5.8	62.0	6.0	61.9	6.1	61.8	6.3
	-8	-9	66.9	5.9	66.7	6.0	66.6	6.2	66.4	6.4	66.2	6.6	66.1	6.7
	-3	-4	73.1	6.4	72.9	6.6	72.7	6.7	72.5	6.9	72.3	7.1	72.2	7.3
	2	1	80.4	6.9	80.2	7.1	80.0	7.3	79.8	7.5	79.6	7.7	79.5	7.9
	7	6	88.3	7.5	88.1	7.7	87.9	7.9	87.7	8.1	87.5	8.3	87.1	8.5
	12	10	96.4	8.0	96.2	8.2	96.0	8.4	95.7	8.6	91.1	8.4	87.1	8.2
	17	15	104.3	8.4	104.1	8.6	103.3	8.8	97.2	8.5	91.1	8.2	87.1	8.0
	22	20	111.7	8.7	109.1	8.7	103.3	8.4	97.2	8.2	91.1	7.9	87.1	7.7
	27	24	115.3	8.6	109.1	8.4	103.3	8.1	97.2	7.8	91.1	7.5	87.1	7.3
	32	29	115.3	8.3	109.1	8.0	103.3	7.8	97.2	7.5	91.1	7.1	87.1	6.7
	37	34	115.3	7.9	109.1	7.7	103.3	7.4	97.2	7.0	91.1	6.4	87.1	6.1
	42	38	115.3	7.5	109.1	7.3	103.3	6.8	97.2	6.3	91.1	5.8	87.1	5.5
	47	43	115.3	7.1	109.1	6.6	103.3	6.2	97.2	5.8	91.1	5.3	87.1	5.0
	52	47	115.3	6.5	109.1	6.1	103.3	5.7	97.2	5.3	91.1	4.9	87.1	4.7
	57	52	115.3	5.9	109.1	5.6	103.3	5.2	97.2	4.9	91.1	4.6	87.1	4.3
	62	56	115.3	5.5	109.1	5.2	103.3	4.9	97.2	4.6	91.1	4.2	87.1	4.0
	67	61	115.3	5.1	109.1	4.8	103.3	4.5	97.2	4.3	91.1	4.0	87.1	3.8
	72	66	115.3	4.8	109.1	4.5	103.3	4.3	97.2	4.0	91.1	3.7	87.1	3.6
75	69	115.3	4.6	109.1	4.3	103.3	4.1	97.2	3.9	91.1	3.6	87.1	3.4	
80	74	115.3	4.3	109.1	4.1	103.3	3.9	97.2	3.6	91.1	3.4	87.1	3.3	
80%	-13	-14	62.3	5.4	62.1	5.5	61.9	5.7	61.8	5.8	61.6	6.0	61.5	6.1
	-8	-9	66.6	5.8	66.5	5.9	66.3	6.1	66.1	6.3	66.0	6.4	65.9	6.6
	-3	-4	72.8	6.3	72.6	6.4	72.4	6.6	72.2	6.8	72.0	7.0	71.9	7.1
	2	1	80.1	6.8	79.9	7.0	79.7	7.2	79.5	7.4	79.3	7.6	77.4	7.6
	7	6	88.0	7.3	87.8	7.5	87.6	7.7	86.4	7.9	80.9	7.6	77.4	7.4
	12	10	96.1	7.8	95.8	8.0	91.9	7.9	86.4	7.7	80.9	7.4	77.4	7.2
	17	15	102.5	8.1	97.0	7.9	91.9	7.7	86.4	7.4	80.9	7.2	77.4	7.0
	22	20	102.5	7.8	97.0	7.6	91.9	7.4	86.4	7.2	80.9	6.9	77.4	6.7
	27	24	102.5	7.6	97.0	7.3	91.9	7.1	86.4	6.9	80.9	6.6	77.4	6.4
	32	29	102.5	7.2	97.0	7.0	91.9	6.8	86.4	6.6	80.9	6.3	77.4	5.9
	37	34	102.5	6.9	97.0	6.7	91.9	6.5	86.4	6.1	80.9	5.6	77.4	5.3
	42	38	102.5	6.6	97.0	6.4	91.9	6.0	86.4	5.5	80.9	5.1	77.4	4.8
	47	43	102.5	6.2	97.0	5.8	91.9	5.4	86.4	5.0	80.9	4.7	77.4	4.4
	52	47	102.5	5.7	97.0	5.3	91.9	5.0	86.4	4.6	80.9	4.3	77.4	4.1
	57	52	102.5	5.2	97.0	4.9	91.9	4.6	86.4	4.3	80.9	4.0	77.4	3.8
	62	56	102.5	4.8	97.0	4.5	91.9	4.3	86.4	4.0	80.9	3.7	77.4	3.5
	67	61	102.5	4.5	97.0	4.2	91.9	4.0	86.4	3.7	80.9	3.5	77.4	3.3
	72	66	102.5	4.2	97.0	3.9	91.9	3.7	86.4	3.5	80.9	3.3	77.4	3.1
75	69	102.5	4.0	97.0	3.8	91.9	3.6	86.4	3.4	80.9	3.2	77.4	3.0	
80	74	102.5	3.8	97.0	3.6	91.9	3.4	86.4	3.2	80.9	3.0	77.4	2.9	

NOTE - Power Input = Compressor + Outdoor Fan Motor.  
 MBH = 1000 BTUs per hour.



# HEATING CAPACITY - SINGLE MODULE | VRB096H4

Combination (%)	Outdoor Temperature (°F)		Indoor Temperature - °F Dry Bulb											
			61		64		67		70		73		75	
	Dry Bulb	Wet Bulb	Total Cap.	Power Input	Total Cap.	Power Input	Total Cap.	Power Input	Total Cap.	Power Input	Total Cap.	Power Input	Total Cap.	Power Input
			MBH	kW	MBH	kW	MBH	kW	MBH	kW	MBH	kW	MBH	kW
70%	-13	-14	62.0	5.3	61.8	5.4	61.7	5.6	61.5	5.7	61.4	5.9	61.3	6.0
	-8	-9	66.4	5.7	66.2	5.8	66.0	6.0	65.9	6.1	65.7	6.3	65.6	6.5
	-3	-4	72.5	6.1	72.3	6.3	72.1	6.5	71.9	6.7	70.8	6.8	67.7	6.6
	2	1	79.8	6.7	79.5	6.9	79.4	7.0	75.6	6.9	70.8	6.7	67.7	6.5
	7	6	87.6	7.2	84.9	7.2	80.4	7.0	75.6	6.8	70.8	6.5	67.7	6.4
	12	10	89.7	7.2	84.9	7.0	80.4	6.8	75.6	6.6	70.8	6.4	67.7	6.2
	17	15	89.7	7.0	84.9	6.8	80.4	6.6	75.6	6.4	70.8	6.2	67.7	6.0
	22	20	89.7	6.8	84.9	6.6	80.4	6.4	75.6	6.2	70.8	5.9	67.7	5.8
	27	24	89.7	6.5	84.9	6.3	80.4	6.1	75.6	5.9	70.8	5.7	67.7	5.5
	32	29	89.7	6.2	84.9	6.1	80.4	5.9	75.6	5.7	70.8	5.4	67.7	5.1
	37	34	89.7	6.0	84.9	5.8	80.4	5.6	75.6	5.3	70.8	4.8	67.7	4.6
	42	38	89.7	5.7	84.9	5.5	80.4	5.2	75.6	4.8	70.8	4.4	67.7	4.2
	47	43	89.7	5.4	84.9	5.0	80.4	4.7	75.6	4.3	70.8	4.0	67.7	3.8
	52	47	89.7	4.9	84.9	4.6	80.4	4.3	75.6	4.0	70.8	3.7	67.7	3.5
	57	52	89.7	4.5	84.9	4.2	80.4	4.0	75.6	3.7	70.8	3.4	67.7	3.3
	62	56	89.7	4.1	84.9	3.9	80.4	3.7	75.6	3.4	70.8	3.2	67.7	3.1
	67	61	89.7	3.9	84.9	3.6	80.4	3.4	75.6	3.2	70.8	3.0	67.7	2.9
	72	66	89.7	3.6	84.9	3.4	80.4	3.2	75.6	3.0	70.8	2.8	67.7	2.7
	75	69	89.7	3.5	84.9	3.3	80.4	3.1	75.6	2.9	70.8	2.7	67.7	2.6
	80	74	89.7	3.3	84.9	3.1	80.4	2.9	75.6	2.8	70.8	2.6	67.7	2.5
60%	-13	-14	61.8	5.2	61.6	5.3	61.4	5.5	61.3	5.6	60.7	5.8	58.1	5.6
	-8	-9	66.1	5.6	65.9	5.7	65.8	5.9	64.8	6.0	60.7	5.8	58.1	5.6
	-3	-4	72.2	6.0	72.0	6.2	68.9	6.1	64.8	5.9	60.7	5.7	58.1	5.6
	2	1	76.8	6.3	72.7	6.2	68.9	6.0	64.8	5.8	60.7	5.6	58.1	5.5
	7	6	76.8	6.2	72.7	6.1	68.9	5.9	64.8	5.7	60.7	5.5	58.1	5.4
	12	10	76.8	6.1	72.7	5.9	68.9	5.8	64.8	5.6	60.7	5.4	58.1	5.3
	17	15	76.8	5.9	72.7	5.7	68.9	5.6	64.8	5.4	60.7	5.2	58.1	5.1
	22	20	76.8	5.7	72.7	5.6	68.9	5.4	64.8	5.2	60.7	5.0	58.1	4.9
	27	24	76.8	5.5	72.7	5.3	68.9	5.2	64.8	5.0	60.7	4.8	58.1	4.7
	32	29	76.8	5.3	72.7	5.1	68.9	5.0	64.8	4.8	60.7	4.6	58.1	4.3
	37	34	76.8	5.0	72.7	4.9	68.9	4.7	64.8	4.5	60.7	4.1	58.1	3.9
	42	38	76.8	4.8	72.7	4.7	68.9	4.4	64.8	4.0	60.7	3.7	58.1	3.5
	47	43	76.8	4.5	72.7	4.2	68.9	4.0	64.8	3.7	60.7	3.4	58.1	3.2
	52	47	76.8	4.1	72.7	3.9	68.9	3.6	64.8	3.4	60.7	3.1	58.1	3.0
	57	52	76.8	3.8	72.7	3.6	68.9	3.3	64.8	3.1	60.7	2.9	58.1	2.8
	62	56	76.8	3.5	72.7	3.3	68.9	3.1	64.8	2.9	60.7	2.7	58.1	2.6
	67	61	76.8	3.3	72.7	3.1	68.9	2.9	64.8	2.7	60.7	2.5	58.1	2.4
	72	66	76.8	3.0	72.7	2.9	68.9	2.7	64.8	2.6	60.7	2.4	58.1	2.3
	75	69	76.8	2.9	72.7	2.8	68.9	2.6	64.8	2.5	60.7	2.3	58.1	2.2
	80	74	76.8	2.8	72.7	2.6	68.9	2.5	64.8	2.3	60.7	2.2	58.1	2.1
50%	-13	-14	61.5	5.1	60.6	5.2	57.4	5.0	54.0	4.9	50.6	4.7	48.4	4.6
	-8	-9	64.0	5.3	60.6	5.2	57.4	5.0	54.0	4.9	50.6	4.7	48.4	4.6
	-3	-4	64.0	5.3	60.6	5.1	57.4	5.0	54.0	4.9	50.6	4.7	48.4	4.6
	2	1	64.0	5.2	60.6	5.1	57.4	4.9	54.0	4.8	50.6	4.6	48.4	4.5
	7	6	64.0	5.1	60.6	5.0	57.4	4.9	54.0	4.7	50.6	4.5	48.4	4.4
	12	10	64.0	5.0	60.6	4.9	57.4	4.7	54.0	4.6	50.6	4.4	48.4	4.3
	17	15	64.0	4.9	60.6	4.7	57.4	4.6	54.0	4.4	50.6	4.3	48.4	4.2
	22	20	64.0	4.7	60.6	4.6	57.4	4.4	54.0	4.3	50.6	4.1	48.4	4.0
	27	24	64.0	4.5	60.6	4.4	57.4	4.3	54.0	4.1	50.6	4.0	48.4	3.9
	32	29	64.0	4.3	60.6	4.2	57.4	4.1	54.0	3.9	50.6	3.7	48.4	3.5
	37	34	64.0	4.1	60.6	4.0	57.4	3.9	54.0	3.7	50.6	3.4	48.4	3.2
	42	38	64.0	4.0	60.6	3.8	57.4	3.6	54.0	3.3	50.6	3.1	48.4	2.9
	47	43	64.0	3.7	60.6	3.5	57.4	3.3	54.0	3.0	50.6	2.8	48.4	2.6
	52	47	64.0	3.4	60.6	3.2	57.4	3.0	54.0	2.8	50.6	2.6	48.4	2.4
	57	52	64.0	3.1	60.6	2.9	57.4	2.8	54.0	2.6	50.6	2.4	48.4	2.3
	62	56	64.0	2.9	60.6	2.7	57.4	2.6	54.0	2.4	50.6	2.2	48.4	2.1
	67	61	64.0	2.7	60.6	2.5	57.4	2.4	54.0	2.2	50.6	2.1	48.4	2.0
	72	66	64.0	2.5	60.6	2.4	57.4	2.2	54.0	2.1	50.6	2.0	48.4	1.9
	75	69	64.0	2.4	60.6	2.3	57.4	2.2	54.0	2.0	50.6	1.9	48.4	1.8
	80	74	64.0	2.3	60.6	2.1	57.4	2.0	54.0	1.9	50.6	1.8	48.4	1.7

NOTE - Power Input = Compressor + Outdoor Fan Motor.  
 MBH = 1000 BTUs per hour.

# COOLING CAPACITY - SINGLE MODULE | VRB120H4

Combination (%)	Outdoor Temperature °F (Dry Bulb)	Indoor Temperature - °F (Dry Bulb / Wet Bulb)											
		67 / 57		71 / 60		75 / 63		80 / 67		85 / 71		90 / 75	
		Total Cap.	Power Input	Total Cap.	Power Input	Total Cap.	Power Input	Total Cap.	Power Input	Total Cap.	Power Input	Total Cap.	Power Input
		MBH	kW	MBH	kW	MBH	kW	MBH	kW	MBH	kW	MBH	kW
130%	-10	92.0	3.0	111.8	3.6	130.4	4.3	156.0	5.2	182.8	6.3	200.9	7.1
	-5	92.0	3.1	111.8	3.9	130.4	4.6	156.0	5.6	182.8	6.7	190.4	7.1
	10	92.0	3.2	111.8	4.0	130.4	4.7	156.0	5.7	182.8	6.8	186.7	7.1
	15	92.0	3.3	111.8	4.0	130.4	4.8	156.0	5.8	180.2	6.9	182.6	7.1
	20	92.0	3.4	111.8	4.1	130.4	4.9	156.0	5.9	176.0	6.9	178.4	7.1
	25	92.0	3.4	111.8	4.2	130.4	5.0	156.0	6.1	171.7	6.8	174.1	7.1
	30	92.0	3.5	111.8	4.3	130.4	5.1	156.0	6.2	167.6	6.8	170.0	7.1
	35	92.0	3.6	111.8	4.4	130.4	5.2	156.0	6.4	163.6	6.8	166.0	7.1
	40	92.0	3.7	111.8	4.5	130.4	5.4	156.0	6.5	161.1	6.9	163.5	7.2
	45	92.0	3.8	111.8	4.6	130.4	5.5	156.0	6.7	160.1	7.0	162.5	7.3
	50	92.0	3.9	111.8	4.8	130.4	5.6	156.0	6.9	159.3	7.2	161.7	7.4
	55	92.0	4.0	111.8	4.9	130.4	5.8	156.0	7.0	158.7	7.3	161.1	7.6
	60	92.0	4.1	111.8	5.0	130.4	5.9	156.0	7.2	158.9	7.5	160.6	7.8
	65	92.0	4.2	111.8	5.2	130.4	6.1	156.0	7.4	157.1	7.7	160.1	8.0
	70	92.0	4.6	111.8	5.6	130.4	6.6	156.0	8.1	156.4	8.3	159.4	8.7
	75	92.0	5.0	111.8	6.2	130.4	7.3	153.0	8.7	155.4	9.0	158.4	9.4
	80	92.0	5.5	111.8	6.8	130.4	8.0	151.5	9.5	153.9	9.8	156.9	10.3
	85	92.0	6.0	111.8	7.4	130.4	8.8	149.2	10.2	151.6	10.6	154.5	11.1
	90	92.0	6.6	111.8	8.1	130.4	9.6	145.7	10.9	148.1	11.4	151.0	11.9
	95	92.0	7.2	111.8	8.9	130.4	10.5	133.0	10.9	135.4	11.4	137.8	11.8
100	92.0	7.9	111.8	9.7	124.1	10.9	126.5	11.3	128.9	11.8	131.4	12.3	
105	92.0	8.5	111.8	10.4	114.8	10.8	117.2	11.3	120.6	11.9	123.0	12.4	
110	92.0	9.1	100.4	10.0	102.8	10.4	106.8	11.0	109.9	11.6	112.0	12.1	
115	84.7	8.9	87.1	9.2	90.1	9.6	93.6	10.2	96.4	10.7	98.2	11.2	
118	74.9	8.0	78.2	8.5	80.9	8.9	84.0	9.4	86.5	9.9	88.2	10.3	
125	50.8	5.7	53.1	6.0	54.9	6.3	57.0	6.7	58.7	7.0	59.8	7.3	
120%	-10	84.9	2.7	103.2	3.3	120.4	3.9	144.0	4.8	168.7	5.7	192.4	6.7
	-5	84.9	2.9	103.2	3.5	120.4	4.2	144.0	5.1	168.7	6.1	187.2	6.9
	10	84.9	2.9	103.2	3.6	120.4	4.2	144.0	5.2	168.7	6.2	183.5	6.9
	15	84.9	3.0	103.2	3.7	120.4	4.3	144.0	5.3	168.7	6.3	179.4	6.9
	20	84.9	3.1	103.2	3.8	120.4	4.4	144.0	5.4	168.7	6.5	175.3	6.9
	25	84.9	3.1	103.2	3.8	120.4	4.5	144.0	5.5	168.7	6.6	171.0	6.9
	30	84.9	3.2	103.2	3.9	120.4	4.6	144.0	5.7	164.5	6.6	166.9	6.9
	35	84.9	3.3	103.2	4.0	120.4	4.7	144.0	5.8	160.6	6.6	163.0	6.9
	40	84.9	3.4	103.2	4.1	120.4	4.9	144.0	5.9	158.0	6.7	160.4	6.9
	45	84.9	3.4	103.2	4.2	120.4	5.0	144.0	6.1	157.0	6.8	159.4	7.0
	50	84.9	3.5	103.2	4.3	120.4	5.1	144.0	6.2	156.2	6.9	158.6	7.2
	55	84.9	3.6	103.2	4.4	120.4	5.3	144.0	6.4	155.6	7.1	158.0	7.4
	60	84.9	3.7	103.2	4.6	120.4	5.4	144.0	6.6	155.7	7.3	157.6	7.5
	65	84.9	3.8	103.2	4.7	120.4	5.5	144.0	6.8	154.1	7.4	157.1	7.7
	70	84.9	4.2	103.2	5.1	120.4	6.0	144.0	7.4	153.5	8.0	156.4	8.4
	75	84.9	4.6	103.2	5.6	120.4	6.6	144.0	8.1	152.5	8.7	155.4	9.1
	80	84.9	5.0	103.2	6.2	120.4	7.3	144.0	8.9	151.0	9.5	153.9	9.9
	85	84.9	5.5	103.2	6.8	120.4	8.0	144.0	9.7	148.7	10.3	151.6	10.7
	90	84.9	6.0	103.2	7.4	120.4	8.7	144.0	10.6	145.3	11.0	148.1	11.5
	95	84.9	6.6	103.2	8.1	120.4	9.5	133.0	10.7	135.4	11.2	137.8	11.7
100	84.9	7.1	103.2	8.8	120.4	10.4	126.5	11.1	128.9	11.6	131.4	12.1	
105	84.9	7.7	103.2	9.5	114.8	10.7	117.2	11.1	120.6	11.7	123.0	12.2	
110	84.9	8.3	100.4	9.9	102.8	10.2	106.8	10.8	109.9	11.4	112.0	11.9	
115	84.9	8.7	87.1	9.1	90.1	9.5	93.6	10.0	96.4	10.6	98.2	11.0	
118	74.9	7.9	78.2	8.4	80.9	8.8	84.0	9.3	86.5	9.8	88.2	10.2	
125	50.8	5.6	53.1	5.9	54.9	6.2	57.0	6.6	58.7	6.9	59.8	7.2	

NOTE - Power Input = Compressor + Outdoor Fan Motor.  
 MBH = 1000 BTUs per hour.

# COOLING CAPACITY - SINGLE MODULE | VRB120H4

Combination (%)	Outdoor Temperature °F (Dry Bulb)	Indoor Temperature - °F (Dry Bulb / Wet Bulb)											
		67 / 57		71 / 60		75 / 63		80 / 67		85 / 71		90 / 75	
		Total Cap.	Power Input	Total Cap.	Power Input	Total Cap.	Power Input	Total Cap.	Power Input	Total Cap.	Power Input	Total Cap.	Power Input
		MBH	KW	MBH	KW	MBH	KW	MBH	KW	MBH	KW	MBH	KW
110%	-10	77.8	2.4	94.6	3.0	110.3	3.5	132.0	4.3	154.7	5.1	176.3	6.0
	-5	77.8	2.6	94.6	3.2	110.3	3.7	132.0	4.6	154.7	5.5	176.3	6.4
	10	77.8	2.6	94.6	3.2	110.3	3.8	132.0	4.7	154.7	5.6	176.3	6.5
	15	77.8	2.7	94.6	3.3	110.3	3.9	132.0	4.8	154.7	5.7	176.3	6.7
	20	77.8	2.8	94.6	3.4	110.3	4.0	132.0	4.9	154.7	5.8	172.2	6.7
	25	77.8	2.8	94.6	3.5	110.3	4.1	132.0	5.0	154.7	6.0	167.9	6.6
	30	77.8	2.9	94.6	3.5	110.3	4.2	132.0	5.1	154.7	6.1	163.8	6.6
	35	77.8	3.0	94.6	3.6	110.3	4.3	132.0	5.2	154.7	6.3	159.9	6.6
	40	77.8	3.0	94.6	3.7	110.3	4.4	132.0	5.4	154.7	6.4	157.3	6.7
	45	77.8	3.1	94.6	3.8	110.3	4.5	132.0	5.5	154.7	6.6	156.3	6.8
	50	77.8	3.2	94.6	3.9	110.3	4.6	132.0	5.6	154.7	6.7	155.6	6.9
	55	77.8	3.3	94.6	4.0	110.3	4.7	132.0	5.8	154.7	6.9	155.0	7.1
	60	77.8	3.4	94.6	4.1	110.3	4.9	132.0	5.9	152.6	7.0	154.5	7.3
	65	77.8	3.4	94.6	4.2	110.3	5.0	132.0	6.1	151.1	7.1	154.0	7.5
	70	77.8	3.8	94.6	4.6	110.3	5.4	132.0	6.6	150.5	7.7	153.4	8.1
	75	77.8	4.1	94.6	5.1	110.3	6.0	132.0	7.3	149.6	8.4	152.4	8.8
	80	77.8	4.5	94.6	5.6	110.3	6.6	132.0	8.0	148.1	9.2	150.9	9.6
	85	77.8	5.0	94.6	6.1	110.3	7.2	132.0	8.8	145.8	9.9	148.6	10.3
	90	77.8	5.4	94.6	6.7	110.3	7.9	132.0	9.6	142.5	10.6	145.3	11.1
	95	77.8	5.9	94.6	7.3	110.3	8.6	132.0	10.5	135.4	11.0	137.8	11.5
100	77.8	6.5	94.6	7.9	110.3	9.4	128.5	11.1	128.9	11.4	131.4	11.9	
105	77.8	7.0	94.6	8.6	110.3	10.1	117.2	10.9	120.6	11.5	123.0	12.0	
110	77.8	7.5	94.6	9.2	102.8	10.1	106.8	10.7	109.9	11.2	112.0	11.7	
115	77.8	7.9	87.1	8.9	90.1	9.3	93.6	9.9	96.4	10.4	98.2	10.9	
118	74.9	7.8	78.2	8.2	80.9	8.6	84.0	9.1	86.5	9.6	88.2	10.0	
125	50.8	5.5	53.1	5.8	54.9	6.1	57.0	6.5	58.7	6.8	59.8	7.1	
100%	-10	70.7	2.2	86.0	2.7	100.3	3.2	120.0	3.8	140.6	4.6	160.3	5.4
	-5	70.7	2.3	86.0	2.8	100.3	3.4	120.0	4.1	140.6	4.9	160.3	5.7
	10	70.7	2.4	86.0	2.9	100.3	3.4	120.0	4.2	140.6	5.0	160.3	5.8
	15	70.7	2.4	86.0	3.0	100.3	3.5	120.0	4.3	140.6	5.1	160.3	6.0
	20	70.7	2.5	86.0	3.0	100.3	3.6	120.0	4.4	140.6	5.2	160.1	6.1
	25	70.7	2.5	86.0	3.1	100.3	3.7	120.0	4.5	140.6	5.3	158.5	6.2
	30	70.7	2.6	86.0	3.2	100.3	3.7	120.0	4.6	140.6	5.5	156.9	6.3
	35	70.7	2.6	86.0	3.3	100.3	3.8	120.0	4.7	140.6	5.6	155.5	6.3
	40	70.7	2.7	86.0	3.3	100.3	3.9	120.0	4.8	140.6	5.7	154.3	6.5
	45	70.7	2.8	86.0	3.4	100.3	4.0	120.0	4.9	140.6	5.9	153.3	6.6
	50	70.7	2.8	86.0	3.5	100.3	4.1	120.0	5.0	140.6	6.0	152.5	6.7
	55	70.7	2.9	86.0	3.6	100.3	4.2	120.0	5.2	140.6	6.2	152.0	6.9
	60	70.7	3.0	86.0	3.7	100.3	4.4	120.0	5.3	140.6	6.4	151.5	7.0
	65	70.7	3.1	86.0	3.8	100.3	4.5	120.0	5.5	140.6	6.5	151.0	7.2
	70	70.7	3.4	86.0	4.1	100.3	4.9	120.0	5.9	140.6	7.1	150.4	7.8
	75	70.7	3.7	86.0	4.5	100.3	5.4	120.0	6.5	140.6	7.8	149.5	8.5
	80	70.7	4.0	86.0	5.0	100.3	5.9	120.0	7.2	140.6	8.6	148.0	9.2
	85	70.7	4.4	86.0	5.5	100.3	6.4	120.0	7.9	140.6	9.4	145.7	10.0
	90	70.7	4.9	86.0	6.0	100.3	7.1	120.0	8.6	139.7	10.2	142.4	10.7
	95	70.7	5.3	86.0	6.5	100.3	7.7	120.0	9.4	135.2	10.8	137.8	11.3
100	70.7	5.8	86.0	7.1	100.3	8.4	120.0	10.2	128.9	11.2	131.4	11.7	
105	70.7	6.2	86.0	7.7	100.3	9.1	117.2	10.8	120.6	11.3	123.0	11.8	
110	70.7	6.7	86.0	8.2	100.3	9.7	106.8	10.5	109.9	11.1	112.0	11.5	
115	70.7	7.1	86.0	8.7	90.1	9.2	93.6	9.7	96.4	10.3	98.2	10.7	
118	70.7	7.3	78.2	8.1	80.9	8.5	84.0	9.0	86.5	9.5	88.2	9.9	
125	50.8	5.4	53.1	5.7	54.9	6.0	57.0	6.4	58.7	6.7	59.8	7.0	

NOTE - Power Input = Compressor + Outdoor Fan Motor.  
 MBH = 1000 BTUs per hour.

# COOLING CAPACITY - SINGLE MODULE | VRB120H4

Combination (%)	Outdoor Temperature °F (Dry Bulb)	Indoor Temperature - °F (Dry Bulb / Wet Bulb)											
		67 / 57		71 / 60		75 / 63		80 / 67		85 / 71		90 / 75	
		Total Cap.	Power Input	Total Cap.	Power Input	Total Cap.	Power Input	Total Cap.	Power Input	Total Cap.	Power Input	Total Cap.	Power Input
		MBH	kW	MBH	kW	MBH	kW	MBH	kW	MBH	kW	MBH	kW
90%	-10	63.7	1.9	77.4	2.4	90.3	2.8	108.0	3.4	126.5	4.1	144.3	4.8
	-5	63.7	2.1	77.4	2.5	90.3	3.0	108.0	3.6	126.5	4.3	144.3	5.1
	10	63.7	2.1	77.4	2.6	90.3	3.0	108.0	3.7	126.5	4.4	144.3	5.2
	15	63.7	2.1	77.4	2.6	90.3	3.1	108.0	3.8	126.5	4.5	144.3	5.3
	20	63.7	2.2	77.4	2.7	90.3	3.2	108.0	3.9	126.5	4.6	144.3	5.4
	25	63.7	2.2	77.4	2.8	90.3	3.2	108.0	4.0	126.5	4.7	144.3	5.5
	30	63.7	2.3	77.4	2.8	90.3	3.3	108.0	4.1	126.5	4.9	144.3	5.7
	35	63.7	2.3	77.4	2.9	90.3	3.4	108.0	4.1	126.5	5.0	144.3	5.8
	40	63.7	2.4	77.4	3.0	90.3	3.5	108.0	4.2	126.5	5.1	144.3	5.9
	45	63.7	2.5	77.4	3.0	90.3	3.6	108.0	4.4	126.5	5.2	144.3	6.1
	50	63.7	2.5	77.4	3.1	90.3	3.7	108.0	4.5	126.5	5.4	144.3	6.3
	55	63.7	2.6	77.4	3.2	90.3	3.8	108.0	4.6	126.5	5.5	144.3	6.4
	60	63.7	2.7	77.4	3.3	90.3	3.9	108.0	4.7	126.5	5.6	144.3	6.6
	65	63.7	2.7	77.4	3.4	90.3	4.0	108.0	4.8	126.5	5.8	144.3	6.8
	70	63.7	3.0	77.4	3.7	90.3	4.3	108.0	5.3	126.5	6.3	144.3	7.4
	75	63.7	3.3	77.4	4.0	90.3	4.7	108.0	5.8	126.5	6.9	144.3	8.1
	80	63.7	3.6	77.4	4.4	90.3	5.2	108.0	6.3	126.5	7.6	144.3	8.9
	85	63.7	3.9	77.4	4.8	90.3	5.7	108.0	7.0	126.5	8.3	142.8	9.6
	90	63.7	4.3	77.4	5.3	90.3	6.3	108.0	7.6	126.5	9.1	139.6	10.3
	95	63.7	4.7	77.4	5.8	90.3	6.8	108.0	8.3	126.5	10.0	137.8	11.1
100	63.7	5.1	77.4	6.3	90.3	7.4	108.0	9.1	126.3	10.8	131.4	11.5	
105	63.7	5.5	77.4	6.8	90.3	8.0	108.0	9.8	120.6	11.2	123.0	11.7	
110	63.7	5.9	77.4	7.3	90.3	8.6	106.8	10.4	109.9	10.9	112.0	11.4	
115	63.7	6.3	77.4	7.7	90.1	9.1	93.6	9.6	96.4	10.1	98.2	10.5	
118	63.7	6.4	77.4	7.9	80.9	8.4	84.0	8.9	86.5	9.3	88.2	9.7	
125	50.8	5.4	53.1	5.7	54.9	5.9	57.0	6.3	58.7	6.6	59.8	6.9	
80%	-10	56.6	1.7	68.8	2.1	80.2	2.5	96.0	3.0	112.5	3.6	128.2	4.2
	-5	56.6	1.8	68.8	2.2	80.2	2.6	96.0	3.2	112.5	3.8	128.2	4.4
	10	56.6	1.8	68.8	2.3	80.2	2.7	96.0	3.2	112.5	3.9	128.2	4.5
	15	56.6	1.9	68.8	2.3	80.2	2.7	96.0	3.3	112.5	4.0	128.2	4.6
	20	56.6	1.9	68.8	2.4	80.2	2.8	96.0	3.4	112.5	4.1	128.2	4.7
	25	56.6	2.0	68.8	2.4	80.2	2.8	96.0	3.5	112.5	4.2	128.2	4.9
	30	56.6	2.0	68.8	2.5	80.2	2.9	96.0	3.5	112.5	4.3	128.2	5.0
	35	56.6	2.1	68.8	2.5	80.2	3.0	96.0	3.6	112.5	4.4	128.2	5.1
	40	56.6	2.1	68.8	2.6	80.2	3.1	96.0	3.7	112.5	4.5	128.2	5.2
	45	56.6	2.2	68.8	2.7	80.2	3.1	96.0	3.8	112.5	4.6	128.2	5.3
	50	56.6	2.2	68.8	2.7	80.2	3.2	96.0	3.9	112.5	4.7	128.2	5.5
	55	56.6	2.3	68.8	2.8	80.2	3.3	96.0	4.0	112.5	4.8	128.2	5.6
	60	56.6	2.3	68.8	2.9	80.2	3.4	96.0	4.1	112.5	4.9	128.2	5.8
	65	56.6	2.4	68.8	2.9	80.2	3.5	96.0	4.2	112.5	5.1	128.2	5.9
	70	56.6	2.6	68.8	3.2	80.2	3.8	96.0	4.6	112.5	5.5	128.2	6.5
	75	56.6	2.9	68.8	3.5	80.2	4.2	96.0	5.1	112.5	6.1	128.2	7.1
	80	56.6	3.1	68.8	3.9	80.2	4.6	96.0	5.6	112.5	6.7	128.2	7.8
	85	56.6	3.5	68.8	4.2	80.2	5.0	96.0	6.1	112.5	7.3	128.2	8.5
	90	56.6	3.8	68.8	4.6	80.2	5.5	96.0	6.7	112.5	8.0	128.2	9.4
	95	56.6	4.1	68.8	5.1	80.2	6.0	96.0	7.3	112.5	8.7	128.2	10.2
100	56.6	4.5	68.8	5.5	80.2	6.5	96.0	7.9	112.5	9.5	128.2	11.1	
105	56.6	4.8	68.8	6.0	80.2	7.0	96.0	8.6	112.5	10.3	123.0	11.5	
110	56.6	5.2	68.8	6.4	80.2	7.5	96.0	9.2	109.9	10.7	112.0	11.2	
115	56.6	5.5	68.8	6.7	80.2	8.0	93.6	9.5	96.4	10.0	98.2	10.4	
118	56.6	5.6	68.8	6.9	80.2	8.2	84.0	8.7	86.5	9.2	88.2	9.6	
125	50.8	5.3	53.1	5.6	54.9	5.8	57.0	6.2	58.7	6.5	59.8	6.8	

NOTE - Power Input = Compressor + Outdoor Fan Motor.  
 MBH = 1000 BTUs per hour.

# COOLING CAPACITY - SINGLE MODULE | VRB120H4

Combination (%)	Outdoor Temperature °F (Dry Bulb)	Indoor Temperature - °F (Dry Bulb / Wet Bulb)											
		67 / 57		71 / 60		75 / 63		80 / 67		85 / 71		90 / 75	
		Total Cap.	Power Input	Total Cap.	Power Input	Total Cap.	Power Input	Total Cap.	Power Input	Total Cap.	Power Input	Total Cap.	Power Input
		MBH	KW	MBH	KW	MBH	KW	MBH	KW	MBH	KW	MBH	KW
70%	-10	49.5	1.5	60.2	1.8	70.2	2.1	84.0	2.6	98.4	3.1	112.2	3.6
	-5	49.5	1.5	60.2	1.9	70.2	2.2	84.0	2.7	98.4	3.3	112.2	3.8
	10	49.5	1.6	60.2	1.9	70.2	2.3	84.0	2.8	98.4	3.4	112.2	3.9
	15	49.5	1.6	60.2	2.0	70.2	2.3	84.0	2.9	98.4	3.4	112.2	4.0
	20	49.5	1.7	60.2	2.0	70.2	2.4	84.0	2.9	98.4	3.5	112.2	4.1
	25	49.5	1.7	60.2	2.1	70.2	2.5	84.0	3.0	98.4	3.6	112.2	4.2
	30	49.5	1.7	60.2	2.1	70.2	2.5	84.0	3.1	98.4	3.7	112.2	4.3
	35	49.5	1.8	60.2	2.2	70.2	2.6	84.0	3.1	98.4	3.8	112.2	4.4
	40	49.5	1.8	60.2	2.2	70.2	2.6	84.0	3.2	98.4	3.8	112.2	4.5
	45	49.5	1.9	60.2	2.3	70.2	2.7	84.0	3.3	98.4	3.9	112.2	4.6
	50	49.5	1.9	60.2	2.3	70.2	2.8	84.0	3.4	98.4	4.0	112.2	4.7
	55	49.5	2.0	60.2	2.4	70.2	2.8	84.0	3.5	98.4	4.2	112.2	4.8
	60	49.5	2.0	60.2	2.5	70.2	2.9	84.0	3.6	98.4	4.3	112.2	5.0
	65	49.5	2.1	60.2	2.5	70.2	3.0	84.0	3.7	98.4	4.4	112.2	5.1
	70	49.5	2.2	60.2	2.8	70.2	3.3	84.0	4.0	98.4	4.8	112.2	5.6
	75	49.5	2.5	60.2	3.0	70.2	3.6	84.0	4.4	98.4	5.2	112.2	6.1
	80	49.5	2.7	60.2	3.3	70.2	3.9	84.0	4.8	98.4	5.7	112.2	6.7
	85	49.5	3.0	60.2	3.7	70.2	4.3	84.0	5.3	98.4	6.3	112.2	7.4
	90	49.5	3.3	60.2	4.0	70.2	4.7	84.0	5.8	98.4	6.9	112.2	8.1
	95	49.5	3.6	60.2	4.4	70.2	5.2	84.0	6.3	98.4	7.5	112.2	8.8
100	49.5	3.9	60.2	4.8	70.2	5.6	84.0	6.8	98.4	8.2	112.2	9.6	
105	49.5	4.2	60.2	5.1	70.2	6.1	84.0	7.4	98.4	8.9	112.2	10.3	
110	49.5	4.5	60.2	5.5	70.2	6.5	84.0	7.9	98.4	9.5	112.0	11.0	
115	49.5	4.7	60.2	5.8	70.2	6.9	84.0	8.4	96.4	9.8	98.2	10.2	
118	49.5	4.9	60.2	6.0	70.2	7.1	84.0	8.6	86.5	9.1	88.2	9.5	
125	47.8	4.9	53.1	5.5	54.9	5.8	57.0	6.1	58.7	6.4	59.8	6.7	
60%	-10	42.4	1.2	51.6	1.5	60.2	1.8	72.0	2.2	84.4	2.6	96.2	3.0
	-5	42.4	1.3	51.6	1.6	60.2	1.9	72.0	2.3	84.4	2.8	96.2	3.2
	10	42.4	1.3	51.6	1.6	60.2	1.9	72.0	2.4	84.4	2.8	96.2	3.3
	15	42.4	1.4	51.6	1.7	60.2	2.0	72.0	2.4	84.4	2.9	96.2	3.4
	20	42.4	1.4	51.6	1.7	60.2	2.0	72.0	2.5	84.4	3.0	96.2	3.5
	25	42.4	1.4	51.6	1.8	60.2	2.1	72.0	2.5	84.4	3.0	96.2	3.5
	30	42.4	1.5	51.6	1.8	60.2	2.1	72.0	2.6	84.4	3.1	96.2	3.6
	35	42.4	1.5	51.6	1.8	60.2	2.2	72.0	2.6	84.4	3.2	96.2	3.7
	40	42.4	1.5	51.6	1.9	60.2	2.2	72.0	2.7	84.4	3.2	96.2	3.8
	45	42.4	1.6	51.6	1.9	60.2	2.3	72.0	2.8	84.4	3.3	96.2	3.9
	50	42.4	1.6	51.6	2.0	60.2	2.3	72.0	2.9	84.4	3.4	96.2	4.0
	55	42.4	1.7	51.6	2.0	60.2	2.4	72.0	2.9	84.4	3.5	96.2	4.1
	60	42.4	1.7	51.6	2.1	60.2	2.5	72.0	3.0	84.4	3.6	96.2	4.2
	65	42.4	1.7	51.6	2.1	60.2	2.5	72.0	3.1	84.4	3.7	96.2	4.3
	70	42.4	1.9	51.6	2.3	60.2	2.8	72.0	3.4	84.4	4.0	96.2	4.7
	75	42.4	2.1	51.6	2.6	60.2	3.0	72.0	3.7	84.4	4.4	96.2	5.2
	80	42.4	2.3	51.6	2.8	60.2	3.3	72.0	4.1	84.4	4.9	96.2	5.7
	85	42.4	2.5	51.6	3.1	60.2	3.6	72.0	4.4	84.4	5.3	96.2	6.2
	90	42.4	2.8	51.6	3.4	60.2	4.0	72.0	4.9	84.4	5.8	96.2	6.8
	95	42.4	3.0	51.6	3.7	60.2	4.4	72.0	5.3	84.4	6.4	96.2	7.4
100	42.4	3.3	51.6	4.0	60.2	4.7	72.0	5.8	84.4	6.9	96.2	8.1	
105	42.4	3.5	51.6	4.3	60.2	5.1	72.0	6.2	84.4	7.5	96.2	8.7	
110	42.4	3.8	51.6	4.6	60.2	5.5	72.0	6.7	84.4	8.0	96.2	9.3	
115	42.4	4.0	51.6	4.9	60.2	5.8	72.0	7.1	84.4	8.5	96.2	9.9	
118	42.4	4.1	51.6	5.1	60.2	6.0	72.0	7.3	84.4	8.7	88.2	9.3	
125	42.4	4.3	51.6	5.3	54.9	5.7	57.0	6.0	58.7	6.3	59.8	6.6	

NOTE - Power Input = Compressor + Outdoor Fan Motor.  
 MBH = 1000 BTUs per hour.

## COOLING CAPACITY - SINGLE MODULE | VRB120H4

Combination (%)	Outdoor Temperature °F (Dry Bulb)	Indoor Temperature - °F (Dry Bulb / Wet Bulb)											
		67 / 57		71 / 60		75 / 63		80 / 67		85 / 71		90 / 75	
		Total Cap.	Power Input	Total Cap.	Power Input	Total Cap.	Power Input	Total Cap.	Power Input	Total Cap.	Power Input	Total Cap.	Power Input
		MBH	kW	MBH	kW	MBH	kW	MBH	kW	MBH	kW	MBH	kW
50%	-10	32.6	0.9	43.0	1.2	50.1	1.5	60.0	1.8	70.3	2.1	80.1	2.5
	-5	35.4	1.1	43.0	1.3	50.1	1.6	60.0	1.9	70.3	2.3	80.1	2.7
	10	35.4	1.1	43.0	1.4	50.1	1.6	60.0	1.9	70.3	2.3	80.1	2.7
	15	35.4	1.1	43.0	1.4	50.1	1.6	60.0	2.0	70.3	2.4	80.1	2.8
	20	35.4	1.1	43.0	1.4	50.1	1.7	60.0	2.0	70.3	2.4	80.1	2.8
	25	35.4	1.2	43.0	1.4	50.1	1.7	60.0	2.1	70.3	2.5	80.1	2.9
	30	35.4	1.2	43.0	1.5	50.1	1.7	60.0	2.1	70.3	2.5	80.1	3.0
	35	35.4	1.2	43.0	1.5	50.1	1.8	60.0	2.2	70.3	2.6	80.1	3.0
	40	35.4	1.3	43.0	1.5	50.1	1.8	60.0	2.2	70.3	2.7	80.1	3.1
	45	35.4	1.3	43.0	1.6	50.1	1.9	60.0	2.3	70.3	2.7	80.1	3.2
	50	35.4	1.3	43.0	1.6	50.1	1.9	60.0	2.3	70.3	2.8	80.1	3.3
	55	35.4	1.4	43.0	1.7	50.1	2.0	60.0	2.4	70.3	2.9	80.1	3.4
	60	35.4	1.4	43.0	1.7	50.1	2.0	60.0	2.5	70.3	3.0	80.1	3.5
	65	35.4	1.4	43.0	1.8	50.1	2.1	60.0	2.5	70.3	3.0	80.1	3.6
	70	35.4	1.6	43.0	1.9	50.1	2.3	60.0	2.8	70.3	3.3	80.1	3.9
	75	35.4	1.7	43.0	2.1	50.1	2.5	60.0	3.0	70.3	3.6	80.1	4.2
	80	35.4	1.9	43.0	2.3	50.1	2.7	60.0	3.3	70.3	4.0	80.1	4.7
	85	35.4	2.1	43.0	2.5	50.1	3.0	60.0	3.7	70.3	4.4	80.1	5.1
90	35.4	2.3	43.0	2.8	50.1	3.3	60.0	4.0	70.3	4.8	80.1	5.6	
95	35.4	2.5	43.0	3.0	50.1	3.6	60.0	4.4	70.3	5.2	80.1	6.1	
100	35.4	2.7	43.0	3.3	50.1	3.9	60.0	4.8	70.3	5.7	80.1	6.6	
105	35.4	2.9	43.0	3.6	50.1	4.2	60.0	5.1	70.3	6.1	80.1	7.2	
110	35.4	3.1	43.0	3.8	50.1	4.5	60.0	5.5	70.3	6.6	80.1	7.7	
115	35.4	3.3	43.0	4.0	50.1	4.8	60.0	5.8	70.3	7.0	80.1	8.1	
118	35.4	3.4	43.0	4.2	50.1	4.9	60.0	6.0	70.3	7.2	80.1	8.4	
125	35.4	3.5	43.0	4.3	50.1	5.1	57.0	5.9	58.7	6.2	59.8	6.5	

NOTE - Power Input = Compressor + Outdoor Fan Motor.  
 MBH = 1000 BTUs per hour.



# HEATING CAPACITY - SINGLE MODULE | VRB120H4

Combination (%)	Outdoor Temperature (°F)		Indoor Temperature - °F Dry Bulb											
			61		64		67		70		73		75	
			Total Cap.	Power Input	Total Cap.	Power Input	Total Cap.	Power Input	Total Cap.	Power Input	Total Cap.	Power Input	Total Cap.	Power Input
	Dry Bulb	Wet Bulb	MBH	kW	MBH	kW	MBH	kW	MBH	kW	MBH	kW	MBH	kW
130%	-13	-14	71.2	8.0	71.0	8.2	70.8	8.4	70.6	8.7	70.4	8.9	70.3	9.1
	-8	-9	74.6	8.4	74.4	8.6	74.2	8.8	74.0	9.1	73.8	9.4	73.7	9.5
	-3	-4	79.9	8.9	79.7	9.2	79.5	9.4	79.3	9.7	79.1	10.0	79.0	10.2
	2	1	86.7	9.6	86.5	9.8	86.3	10.1	86.1	10.4	85.8	10.7	85.7	10.9
	7	6	94.4	10.2	94.2	10.5	93.9	10.8	93.7	11.1	93.4	11.4	93.3	11.6
	12	10	102.6	10.9	102.3	11.1	102.1	11.4	101.8	11.7	101.5	12.0	101.4	12.3
	17	15	110.9	11.4	110.6	11.7	110.3	12.0	110.0	12.3	109.8	12.6	109.6	12.8
	22	20	119.0	11.8	118.7	12.1	118.4	12.4	118.1	12.7	117.8	13.0	117.6	13.2
	27	24	126.6	12.1	126.3	12.4	126.0	12.7	125.6	13.0	125.3	13.3	125.1	13.5
	32	29	133.5	12.3	133.2	12.5	132.9	12.8	132.5	13.1	132.3	13.3	132.0	13.0
	37	34	139.7	12.3	139.3	12.5	139.0	12.8	138.7	12.8	138.4	12.5	138.1	12.3
	42	38	144.8	12.1	144.6	12.4	144.3	12.2	144.0	12.0	143.7	11.7	143.5	11.6
	47	43	153.8	12.1	153.6	11.9	153.3	11.8	153.0	11.6	152.8	11.4	152.5	11.3
	52	47	169.3	12.2	169.1	12.0	168.8	11.9	168.5	11.7	164.4	11.3	157.2	10.8
	57	52	184.2	12.1	184.0	12.0	183.7	11.9	175.5	11.3	164.4	10.5	157.2	10.0
	62	56	198.5	12.1	197.0	11.9	186.6	11.2	175.5	10.5	164.4	9.8	157.2	9.3
	67	61	208.1	11.8	197.0	11.1	186.6	10.5	175.5	9.8	164.4	9.2	157.2	8.8
	72	66	208.1	11.0	197.0	10.4	186.6	9.8	175.5	9.2	164.4	8.6	157.2	8.2
	75	69	208.1	10.6	197.0	10.0	186.6	9.5	175.5	8.9	164.4	8.3	157.2	8.0
	80	74	208.1	10.0	197.0	9.4	186.6	8.9	175.5	8.4	164.4	7.9	157.2	7.5
120%	-13	-14	70.9	7.8	70.7	8.1	70.5	8.3	70.3	8.5	70.2	8.8	70.0	8.9
	-8	-9	74.3	8.2	74.1	8.4	73.9	8.7	73.7	8.9	73.5	9.2	73.4	9.4
	-3	-4	79.6	8.8	79.4	9.0	79.2	9.2	79.0	9.5	78.8	9.8	78.7	10.0
	2	1	86.4	9.4	86.1	9.6	85.9	9.9	85.7	10.2	85.5	10.5	85.4	10.7
	7	6	94.0	10.0	93.8	10.3	93.6	10.5	93.3	10.8	93.1	11.2	92.9	11.4
	12	10	102.2	10.6	101.9	10.9	101.7	11.2	101.4	11.5	101.1	11.8	101.0	12.0
	17	15	110.4	11.2	110.2	11.4	109.9	11.7	109.6	12.0	109.3	12.3	109.1	12.6
	22	20	118.5	11.6	118.2	11.9	117.9	12.1	117.6	12.4	117.3	12.8	117.1	13.0
	27	24	126.1	11.9	125.8	12.1	125.5	12.4	125.2	12.7	124.8	13.0	124.6	13.2
	32	29	133.0	12.0	132.7	12.3	132.4	12.5	132.0	12.8	131.7	13.0	131.5	12.8
	37	34	139.1	12.0	138.7	12.3	138.4	12.5	138.1	12.5	137.9	12.2	137.6	12.0
	42	38	144.3	11.9	144.0	12.1	143.7	12.0	143.4	11.7	143.2	11.5	142.9	11.4
	47	43	153.8	11.9	153.6	11.8	153.3	11.6	153.0	11.4	151.8	11.2	145.1	10.6
	52	47	169.3	12.0	169.1	11.8	168.8	11.7	162.0	11.1	151.8	10.3	145.1	9.8
	57	52	184.2	12.0	181.9	11.7	172.2	11.0	162.0	10.3	151.8	9.6	145.1	9.1
	62	56	192.1	11.5	181.9	10.8	172.2	10.2	162.0	9.6	151.8	8.9	145.1	8.5
	67	61	192.1	10.7	181.9	10.1	172.2	9.5	162.0	8.9	151.8	8.3	145.1	8.0
	72	66	192.1	10.0	181.9	9.5	172.2	8.9	162.0	8.4	151.8	7.8	145.1	7.5
	75	69	192.1	9.6	181.9	9.1	172.2	8.6	162.0	8.1	151.8	7.6	145.1	7.2
	80	74	192.1	9.0	181.9	8.6	172.2	8.1	162.0	7.6	151.8	7.2	145.1	6.9
110%	-13	-14	70.6	7.7	70.4	7.9	70.2	8.1	70.1	8.3	69.9	8.6	69.8	8.8
	-8	-9	74.0	8.1	73.8	8.3	73.6	8.5	73.4	8.7	73.2	9.0	73.1	9.2
	-3	-4	79.3	8.6	79.1	8.8	78.9	9.0	78.7	9.3	78.5	9.6	78.4	9.8
	2	1	86.0	9.2	85.8	9.4	85.6	9.7	85.4	10.0	85.2	10.3	85.0	10.5
	7	6	93.7	9.8	93.4	10.1	93.2	10.3	93.0	10.6	92.7	10.9	92.6	11.1
	12	10	101.8	10.4	101.5	10.7	101.3	11.0	101.0	11.3	100.7	11.6	100.6	11.8
	17	15	110.0	11.0	109.7	11.2	109.5	11.5	109.2	11.8	108.9	12.1	108.7	12.3
	22	20	118.0	11.4	117.7	11.6	117.4	11.9	117.1	12.2	116.8	12.5	116.7	12.7
	27	24	125.6	11.6	125.3	11.9	125.0	12.2	124.7	12.5	124.3	12.8	124.3	13.0
	32	29	132.5	11.8	132.1	12.0	131.8	12.3	131.5	12.6	131.2	12.8	131.0	12.5
	37	34	138.5	11.8	138.2	12.0	137.9	12.3	137.6	12.3	137.3	12.0	133.0	11.5
	42	38	143.7	11.7	143.4	11.9	143.1	11.7	142.9	11.5	139.1	11.0	133.0	10.4
	47	43	153.8	11.8	153.6	11.6	153.3	11.4	148.5	10.9	139.1	10.1	133.0	9.6
	52	47	169.3	11.8	166.7	11.5	157.9	10.8	148.5	10.0	139.1	9.3	133.0	8.8
	57	52	176.1	11.2	166.7	10.6	157.9	9.9	148.5	9.3	139.1	8.6	133.0	8.2
	62	56	176.1	10.4	166.7	9.8	157.9	9.2	148.5	8.6	139.1	8.0	133.0	7.7
	67	61	176.1	9.7	166.7	9.1	157.9	8.6	148.5	8.1	139.1	7.5	133.0	7.2
	72	66	176.1	9.0	166.7	8.5	157.9	8.1	148.5	7.6	139.1	7.1	133.0	6.8
	75	69	176.1	8.7	166.7	8.2	157.9	7.8	148.5	7.3	139.1	6.8	133.0	6.5
	80	74	176.1	8.2	166.7	7.7	157.9	7.3	148.5	6.9	139.1	6.5	133.0	6.2

NOTE - Power Input = Compressor + Outdoor Fan Motor.  
 MBH = 1000 BTUs per hour.

# HEATING CAPACITY - SINGLE MODULE | VRB120H4

Combination (%)	Outdoor Temperature (°F)		Indoor Temperature - °F Dry Bulb											
			61		64		67		70		73		75	
	Dry Bulb	Wet Bulb	Total Cap. MBH	Power Input kW	Total Cap. MBH	Power Input kW	Total Cap. MBH	Power Input kW	Total Cap. MBH	Power Input kW	Total Cap. MBH	Power Input kW	Total Cap. MBH	Power Input kW
100%	-13	-14	70.3	7.5	70.1	7.7	70.0	8.0	69.8	8.2	69.6	8.4	69.5	8.6
	-8	-9	73.7	7.9	73.5	8.1	73.3	8.3	73.1	8.6	73.0	8.8	72.8	9.0
	-3	-4	79.0	8.4	78.8	8.7	78.6	8.9	78.4	9.1	78.2	9.4	78.1	9.6
	2	1	85.7	9.0	85.5	9.3	85.3	9.5	85.0	9.8	84.8	10.1	84.7	10.3
	7	6	93.3	9.6	93.0	9.9	92.8	10.2	92.6	10.4	92.3	10.7	92.2	10.9
	12	10	101.4	10.2	101.1	10.5	100.9	10.8	100.6	11.0	100.3	11.4	100.2	11.6
	17	15	109.6	10.8	109.3	11.0	109.0	11.3	108.7	11.6	108.5	11.9	108.3	12.1
	22	20	117.6	11.2	117.3	11.4	117.0	11.7	116.7	12.0	116.4	12.3	116.2	12.5
	27	24	125.1	11.4	124.8	11.7	124.5	11.9	124.2	12.2	123.8	12.5	120.9	12.5
	32	29	132.0	11.6	131.6	11.8	131.3	12.1	131.0	12.3	126.5	12.1	120.9	11.4
	37	34	138.0	11.6	137.6	11.8	137.3	12.0	135.0	11.9	126.5	10.9	120.9	10.3
	42	38	143.1	11.4	142.7	11.7	142.4	11.5	135.0	10.7	126.5	9.9	120.9	9.3
	47	43	147.3	11.1	146.9	10.9	143.5	10.5	135.0	9.8	126.5	9.0	120.9	8.6
	52	47	150.4	10.3	150.1	10.2	143.5	9.6	135.0	9.0	126.5	8.3	120.9	7.9
	57	52	152.7	9.6	151.6	9.5	143.5	8.9	135.0	8.3	126.5	7.7	120.9	7.3
	62	56	154.3	9.0	151.6	8.8	143.5	8.3	135.0	7.7	126.5	7.2	120.9	6.9
	67	61	155.2	8.4	151.6	8.2	143.5	7.7	135.0	7.2	126.5	6.7	120.9	6.4
72	66	155.7	7.9	151.6	7.6	143.5	7.2	135.0	6.8	126.5	6.3	120.9	6.1	
75	69	156.0	7.6	151.6	7.4	143.5	7.0	135.0	6.5	126.5	6.1	120.9	5.9	
80	74	156.5	7.2	151.6	6.9	143.5	6.6	135.0	6.2	126.5	5.8	120.9	5.5	
90%	-13	-14	70.0	7.4	69.9	7.6	69.7	7.8	69.5	8.0	69.3	8.3	69.2	8.4
	-8	-9	73.4	7.8	73.2	8.0	73.0	8.2	72.8	8.4	72.7	8.7	72.5	8.8
	-3	-4	78.7	8.3	78.5	8.5	78.3	8.7	78.1	9.0	77.9	9.2	77.8	9.4
	2	1	85.3	8.9	85.1	9.1	84.9	9.3	84.7	9.6	84.5	9.9	84.3	10.1
	7	6	92.9	9.5	92.7	9.7	92.4	10.0	92.2	10.2	92.0	10.5	91.8	10.7
	12	10	101.0	10.0	100.7	10.3	100.5	10.6	100.2	10.8	99.9	11.1	99.8	11.3
	17	15	109.1	10.6	108.8	10.8	108.6	11.1	108.3	11.4	108.0	11.7	107.8	11.9
	22	20	117.1	10.9	116.8	11.2	116.5	11.5	116.2	11.7	113.8	11.8	108.9	11.5
	27	24	124.6	11.2	124.3	11.5	124.0	11.7	121.5	11.8	113.8	11.3	108.9	11.0
	32	29	131.4	11.3	131.1	11.6	129.2	11.7	121.5	11.3	113.8	10.7	108.9	10.1
	37	34	137.4	11.3	136.4	11.5	129.2	11.2	121.5	10.5	113.8	9.6	108.9	9.1
	42	38	142.5	11.2	136.4	11.0	129.2	10.3	121.5	9.5	113.8	8.8	108.9	8.3
	47	43	138.8	10.3	136.4	10.0	129.2	9.3	121.5	8.7	113.8	8.0	108.9	7.6
	52	47	135.4	9.1	136.4	9.1	129.2	8.5	121.5	8.0	113.8	7.4	108.9	7.0
	57	52	137.5	8.5	136.4	8.4	129.2	7.9	121.5	7.4	113.8	6.8	108.9	6.5
	62	56	138.8	8.0	136.4	7.8	129.2	7.3	121.5	6.9	113.8	6.4	108.9	6.1
	67	61	139.7	7.4	136.4	7.2	129.2	6.8	121.5	6.4	113.8	6.0	108.9	5.7
72	66	140.2	7.0	136.4	6.8	129.2	6.4	121.5	6.0	113.8	5.6	108.9	5.4	
75	69	140.4	6.7	136.4	6.5	129.2	6.2	121.5	5.8	113.8	5.4	108.9	5.2	
80	74	140.9	6.3	136.4	6.1	129.2	5.8	121.5	5.5	113.8	5.1	108.9	4.9	
80%	-13	-14	69.8	7.3	69.6	7.5	69.4	7.7	69.2	7.9	69.0	8.1	68.9	8.3
	-8	-9	73.1	7.6	72.9	7.8	72.7	8.0	72.6	8.3	72.4	8.5	72.2	8.7
	-3	-4	78.4	8.1	78.2	8.3	78.0	8.5	77.8	8.8	77.6	9.1	77.4	9.2
	2	1	85.0	8.7	84.8	8.9	84.6	9.2	84.4	9.4	84.1	9.7	84.0	9.9
	7	6	92.5	9.3	92.3	9.5	92.1	9.8	91.8	10.0	91.6	10.3	91.4	10.5
	12	10	100.6	9.9	100.3	10.1	100.1	10.4	99.8	10.6	99.5	10.9	96.8	10.8
	17	15	108.7	10.4	108.4	10.6	108.2	10.9	107.9	11.1	101.2	10.8	96.8	10.5
	22	20	116.6	10.7	116.3	11.0	114.8	11.1	108.0	10.8	101.2	10.4	96.8	10.1
	27	24	124.1	11.0	121.2	11.0	114.8	10.7	108.0	10.3	101.2	9.9	96.8	9.7
	32	29	128.1	10.9	121.2	10.6	114.8	10.2	108.0	9.9	101.2	9.4	96.8	8.9
	37	34	128.1	10.4	121.2	10.1	114.8	9.8	108.0	9.2	101.2	8.5	96.8	8.0
	42	38	128.1	9.9	121.2	9.6	114.8	9.0	108.0	8.3	101.2	7.7	96.8	7.3
	47	43	128.1	9.4	121.2	8.7	114.8	8.2	108.0	7.6	101.2	7.0	96.8	6.7
	52	47	128.1	8.5	121.2	8.0	114.8	7.5	108.0	7.0	101.2	6.5	96.8	6.1
	57	52	128.1	7.8	121.2	7.3	114.8	6.9	108.0	6.5	101.2	6.0	96.8	5.7
	62	56	128.1	7.2	121.2	6.8	114.8	6.4	108.0	6.0	101.2	5.6	96.8	5.3
	67	61	128.1	6.7	121.2	6.3	114.8	6.0	108.0	5.6	101.2	5.2	96.8	5.0
72	66	128.1	6.3	121.2	5.9	114.8	5.6	108.0	5.3	101.2	4.9	96.8	4.7	
75	69	128.1	6.0	121.2	5.7	114.8	5.4	108.0	5.1	101.2	4.8	96.8	4.5	
80	74	128.1	5.7	121.2	5.4	114.8	5.1	108.0	4.8	101.2	4.5	96.8	4.3	

NOTE - Power Input = Compressor + Outdoor Fan Motor.  
 MBH = 1000 BTUs per hour.

# HEATING CAPACITY - SINGLE MODULE | VRB120H4

Combination (%)	Outdoor Temperature (°F)		Indoor Temperature - °F Dry Bulb											
			61		64		67		70		73		75	
	Dry Bulb	Wet Bulb	Total Cap. MBH	Power Input kW	Total Cap. MBH	Power Input kW	Total Cap. MBH	Power Input kW	Total Cap. MBH	Power Input kW	Total Cap. MBH	Power Input kW	Total Cap. MBH	Power Input kW
70%	-13	-14	69.5	7.1	69.3	7.3	69.1	7.5	68.9	7.7	68.8	8.0	68.7	8.1
	-8	-9	72.8	7.5	72.6	7.7	72.4	7.9	72.3	8.1	72.1	8.4	72.0	8.5
	-3	-4	78.0	8.0	77.8	8.2	77.7	8.4	77.5	8.6	77.3	8.9	77.1	9.1
	2	1	84.7	8.5	84.4	8.8	84.2	9.0	84.0	9.2	83.8	9.5	83.7	9.7
	7	6	92.2	9.1	91.9	9.4	91.7	9.6	91.5	9.9	88.5	9.8	84.7	9.6
	12	10	100.2	9.7	99.9	9.9	99.7	10.2	94.5	9.9	88.5	9.6	84.7	9.4
	17	15	108.3	10.2	106.1	10.2	100.5	9.9	94.5	9.6	88.5	9.3	84.7	9.0
	22	20	112.1	10.2	106.1	9.9	100.5	9.6	94.5	9.3	88.5	8.9	84.7	8.7
	27	24	112.1	9.8	106.1	9.5	100.5	9.2	94.5	8.9	88.5	8.6	84.7	8.3
	32	29	112.1	9.4	106.1	9.1	100.5	8.8	94.5	8.5	88.5	8.1	84.7	7.6
	37	34	112.1	9.0	106.1	8.7	100.5	8.4	94.5	7.9	88.5	7.3	84.7	6.9
	42	38	112.1	8.6	106.1	8.3	100.5	7.8	94.5	7.2	88.5	6.6	84.7	6.3
	47	43	112.1	8.1	106.1	7.5	100.5	7.0	94.5	6.5	88.5	6.1	84.7	5.7
	52	47	112.1	7.3	106.1	6.9	100.5	6.5	94.5	6.0	88.5	5.6	84.7	5.3
	57	52	112.1	6.7	106.1	6.3	100.5	6.0	94.5	5.6	88.5	5.2	84.7	4.9
	62	56	112.1	6.2	106.1	5.9	100.5	5.5	94.5	5.2	88.5	4.8	84.7	4.6
	67	61	112.1	5.8	106.1	5.5	100.5	5.2	94.5	4.8	88.5	4.5	84.7	4.3
	72	66	112.1	5.4	106.1	5.1	100.5	4.8	94.5	4.5	88.5	4.2	84.7	4.1
	75	69	112.1	5.2	106.1	4.9	100.5	4.7	94.5	4.4	88.5	4.1	84.7	3.9
	80	74	112.1	4.9	106.1	4.6	100.5	4.4	94.5	4.1	88.5	3.9	84.7	3.7
60%	-13	-14	69.2	7.0	69.0	7.2	68.8	7.4	68.7	7.6	68.5	7.8	68.4	8.0
	-8	-9	72.5	7.3	72.3	7.5	72.2	7.7	72.0	8.0	71.8	8.2	71.7	8.4
	-3	-4	77.7	7.8	77.5	8.0	77.3	8.2	77.1	8.5	75.9	8.6	72.6	8.4
	2	1	84.3	8.4	84.1	8.6	83.9	8.8	81.0	8.8	75.9	8.5	72.6	8.3
	7	6	91.8	9.0	90.9	9.1	86.1	8.9	81.0	8.6	75.9	8.3	72.6	8.1
	12	10	96.1	9.2	90.9	8.9	86.1	8.7	81.0	8.4	75.9	8.1	72.6	7.9
	17	15	96.1	8.9	90.9	8.6	86.1	8.4	81.0	8.1	75.9	7.8	72.6	7.6
	22	20	96.1	8.6	90.9	8.4	86.1	8.1	81.0	7.8	75.9	7.6	72.6	7.4
	27	24	96.1	8.3	90.9	8.0	86.1	7.8	81.0	7.5	75.9	7.2	72.6	7.1
	32	29	96.1	7.9	90.9	7.7	86.1	7.5	81.0	7.2	75.9	6.9	72.6	6.5
	37	34	96.1	7.6	90.9	7.4	86.1	7.1	81.0	6.7	75.9	6.2	72.6	5.8
	42	38	96.1	7.2	90.9	7.0	86.1	6.6	81.0	6.1	75.9	5.6	72.6	5.3
	47	43	96.1	6.8	90.9	6.4	86.1	6.0	81.0	5.5	75.9	5.1	72.6	4.8
	52	47	96.1	6.2	90.9	5.8	86.1	5.5	81.0	5.1	75.9	4.7	72.6	4.5
	57	52	96.1	5.7	90.9	5.4	86.1	5.0	81.0	4.7	75.9	4.4	72.6	4.2
	62	56	96.1	5.3	90.9	5.0	86.1	4.7	81.0	4.4	75.9	4.1	72.6	3.9
	67	61	96.1	4.9	90.9	4.6	86.1	4.4	81.0	4.1	75.9	3.8	72.6	3.6
	72	66	96.1	4.6	90.9	4.3	86.1	4.1	81.0	3.8	75.9	3.6	72.6	3.4
	75	69	96.1	4.4	90.9	4.2	86.1	3.9	81.0	3.7	75.9	3.5	72.6	3.3
	80	74	96.1	4.1	90.9	3.9	86.1	3.7	81.0	3.5	75.9	3.3	72.6	3.1
50%	-13	-14	68.9	6.9	68.7	7.1	68.6	7.3	67.5	7.4	63.2	7.1	60.5	7.0
	-8	-9	72.2	7.2	72.0	7.4	71.8	7.6	67.5	7.4	63.2	7.1	60.5	7.0
	-3	-4	77.4	7.7	75.8	7.7	71.8	7.5	67.5	7.3	63.2	7.1	60.5	6.9
	2	1	80.0	7.8	75.8	7.6	71.8	7.4	67.5	7.2	63.2	7.0	60.5	6.8
	7	6	80.0	7.7	75.8	7.5	71.8	7.3	67.5	7.1	63.2	6.8	60.5	6.7
	12	10	80.0	7.5	75.8	7.3	71.8	7.1	67.5	6.9	63.2	6.7	60.5	6.5
	17	15	80.0	7.3	75.8	7.1	71.8	6.9	67.5	6.7	63.2	6.4	60.5	6.3
	22	20	80.0	7.1	75.8	6.9	71.8	6.7	67.5	6.4	63.2	6.2	60.5	6.0
	27	24	80.0	6.8	75.8	6.6	71.8	6.4	67.5	6.2	63.2	6.0	60.5	5.8
	32	29	80.0	6.5	75.8	6.3	71.8	6.1	67.5	5.9	63.2	5.6	60.5	5.3
	37	34	80.0	6.2	75.8	6.0	71.8	5.9	67.5	5.5	63.2	5.1	60.5	4.8
	42	38	80.0	5.9	75.8	5.8	71.8	5.4	67.5	5.0	63.2	4.6	60.5	4.3
	47	43	80.0	5.6	75.8	5.2	71.8	4.9	67.5	4.5	63.2	4.2	60.5	4.0
	52	47	80.0	5.1	75.8	4.8	71.8	4.5	67.5	4.2	63.2	3.9	60.5	3.7
	57	52	80.0	4.7	75.8	4.4	71.8	4.1	67.5	3.9	63.2	3.6	60.5	3.4
	62	56	80.0	4.3	75.8	4.1	71.8	3.8	67.5	3.6	63.2	3.3	60.5	3.2
	67	61	80.0	4.0	75.8	3.8	71.8	3.6	67.5	3.4	63.2	3.1	60.5	3.0
	72	66	80.0	3.8	75.8	3.6	71.8	3.4	67.5	3.2	63.2	2.9	60.5	2.8
	75	69	80.0	3.6	75.8	3.4	71.8	3.2	67.5	3.0	63.2	2.8	60.5	2.7
	80	74	80.0	3.4	75.8	3.2	71.8	3.1	67.5	2.9	63.2	2.7	60.5	2.6

NOTE - Power Input = Compressor + Outdoor Fan Motor.  
 MBH = 1000 BTUs per hour.

# COOLING CAPACITY - SINGLE MODULE | VRB144H4

Combination (%)	Outdoor Temperature °F (Dry Bulb)	Indoor Temperature - °F (Dry Bulb / Wet Bulb)											
		67 / 57		71 / 60		75 / 63		80 / 67		85 / 71		90 / 75	
		Total Cap.	Power Input	Total Cap.	Power Input	Total Cap.	Power Input	Total Cap.	Power Input	Total Cap.	Power Input	Total Cap.	Power Input
		MBH	kW	MBH	kW	MBH	kW	MBH	kW	MBH	kW	MBH	kW
130%	-10	110.4	3.8	134.1	4.6	156.5	5.4	187.2	6.6	219.3	7.9	250.1	9.3
	-5	110.4	4.0	134.1	4.9	156.5	5.8	187.2	7.1	219.3	8.4	250.1	9.9
	10	110.4	4.1	134.1	5.0	156.5	5.9	187.2	7.2	219.3	8.6	250.1	10.1
	15	110.4	4.2	134.1	5.1	156.5	6.0	187.2	7.4	219.3	8.8	245.6	10.1
	20	110.4	4.3	134.1	5.2	156.5	6.2	187.2	7.5	219.3	9.0	240.6	10.1
	25	110.4	4.4	134.1	5.3	156.5	6.3	187.2	7.7	219.3	9.2	235.1	10.1
	30	110.4	4.5	134.1	5.5	156.5	6.5	187.2	7.9	219.3	9.4	229.6	10.1
	35	110.4	4.6	134.1	5.6	156.5	6.6	187.2	8.1	219.3	9.7	224.4	10.1
	40	110.4	4.7	134.1	5.7	156.5	6.8	187.2	8.3	219.3	9.9	221.0	10.2
	45	110.4	4.8	134.1	5.9	156.5	6.9	187.2	8.5	219.3	10.1	219.8	10.4
	50	110.4	4.9	134.1	6.0	156.5	7.1	187.2	8.7	216.1	10.3	219.0	10.6
	55	110.4	5.0	134.1	6.2	156.5	7.3	187.2	8.9	215.8	10.5	218.7	10.9
	60	110.4	5.2	134.1	6.4	156.5	7.5	187.2	9.2	216.5	10.8	218.8	11.2
	65	110.4	5.3	134.1	6.5	156.5	7.7	187.2	9.4	215.0	11.1	219.1	11.5
	70	110.4	5.8	134.1	7.1	156.5	8.4	187.2	10.2	215.4	12.0	219.5	12.6
	75	110.4	6.4	134.1	7.8	156.5	9.2	187.2	11.2	215.5	13.2	219.7	13.8
	80	110.4	7.0	134.1	8.6	156.5	10.1	187.2	12.3	215.2	14.5	219.3	15.1
	85	110.4	7.7	134.1	9.4	156.5	11.1	187.2	13.5	214.0	15.8	218.1	16.5
	90	110.4	8.4	134.1	10.3	156.5	12.2	187.2	14.8	211.5	17.1	215.5	17.9
	95	110.4	9.2	134.1	11.3	156.5	13.3	187.2	16.2	196.3	17.4	199.2	18.1
100	110.4	10.0	134.1	12.2	156.5	14.5	187.2	17.6	189.1	18.2	192.8	19.0	
105	110.4	10.8	134.1	13.2	156.5	15.6	174.9	17.8	180.1	18.7	183.5	19.5	
110	110.4	11.5	134.1	14.1	156.5	16.7	162.7	17.7	167.6	18.6	170.8	19.4	
115	110.4	12.2	134.1	15.0	141.2	15.9	146.6	16.9	151.0	17.8	153.9	18.5	
118	110.4	12.5	125.2	14.4	129.6	15.0	134.5	15.9	138.5	16.8	141.2	17.5	
125	88.7	10.5	92.6	11.1	95.8	11.6	99.5	12.3	102.4	12.9	104.4	13.5	
120%	-10	101.9	3.4	123.8	4.2	144.4	4.9	172.8	6.0	202.5	7.2	230.8	8.4
	-5	101.9	3.6	123.8	4.5	144.4	5.3	172.8	6.4	202.5	7.7	230.8	9.0
	10	101.9	3.7	123.8	4.5	144.4	5.4	172.8	6.5	202.5	7.8	230.8	9.2
	15	101.9	3.8	123.8	4.6	144.4	5.5	172.8	6.7	202.5	8.0	230.8	9.4
	20	101.9	3.9	123.8	4.7	144.4	5.6	172.8	6.8	202.5	8.2	230.8	9.6
	25	101.9	4.0	123.8	4.9	144.4	5.7	172.8	7.0	202.5	8.4	230.8	9.8
	30	101.9	4.0	123.8	5.0	144.4	5.9	172.8	7.2	202.5	8.6	225.5	9.8
	35	101.9	4.1	123.8	5.1	144.4	6.0	172.8	7.3	202.5	8.8	220.3	9.8
	40	101.9	4.2	123.8	5.2	144.4	6.2	172.8	7.5	202.5	9.0	216.9	9.9
	45	101.9	4.4	123.8	5.3	144.4	6.3	172.8	7.7	202.5	9.2	215.7	10.1
	50	101.9	4.5	123.8	5.5	144.4	6.5	172.8	7.9	202.5	9.5	214.9	10.3
	55	101.9	4.6	123.8	5.6	144.4	6.6	172.8	8.1	202.5	9.7	214.6	10.5
	60	101.9	4.7	123.8	5.8	144.4	6.8	172.8	8.3	202.5	10.0	214.7	10.8
	65	101.9	4.8	123.8	5.9	144.4	7.0	172.8	8.6	202.5	10.2	215.0	11.1
	70	101.9	5.3	123.8	6.5	144.4	7.6	172.8	9.3	202.5	11.1	215.3	12.1
	75	101.9	5.8	123.8	7.1	144.4	8.4	172.8	10.2	202.5	12.2	215.5	13.3
	80	101.9	6.3	123.8	7.8	144.4	9.2	172.8	11.2	202.5	13.4	215.2	14.6
	85	101.9	7.0	123.8	8.6	144.4	10.1	172.8	12.3	202.5	14.7	214.0	16.0
	90	101.9	7.6	123.8	9.4	144.4	11.1	172.8	13.5	202.5	16.2	211.5	17.3
	95	101.9	8.3	123.8	10.2	144.4	12.1	172.8	14.7	196.3	17.1	199.2	17.8
100	101.9	9.1	123.8	11.1	144.4	13.1	172.8	16.0	189.1	17.9	192.8	18.7	
105	101.9	9.8	123.8	12.0	144.4	14.2	172.8	17.3	180.1	18.4	183.5	19.2	
110	101.9	10.5	123.8	12.9	144.4	15.2	162.7	17.4	167.6	18.3	170.8	19.1	
115	101.9	11.1	123.8	13.6	141.2	15.7	146.6	16.6	151.0	17.5	153.9	18.2	
118	101.9	11.4	123.8	14.0	129.6	14.8	134.5	15.7	138.5	16.5	141.2	17.2	
125	88.7	10.3	92.6	10.9	95.8	11.4	99.5	12.1	102.4	12.7	104.4	13.3	

NOTE - Power Input = Compressor + Outdoor Fan Motor.  
 MBH = 1000 BTUs per hour.

# COOLING CAPACITY - SINGLE MODULE | VRB144H4

Combination (%)	Outdoor Temperature °F (Dry Bulb)	Indoor Temperature - °F (Dry Bulb / Wet Bulb)											
		67 / 57		71 / 60		75 / 63		80 / 67		85 / 71		90 / 75	
		Total Cap.	Power Input	Total Cap.	Power Input	Total Cap.	Power Input	Total Cap.	Power Input	Total Cap.	Power Input	Total Cap.	Power Input
		MBH	KW	MBH	KW	MBH	KW	MBH	KW	MBH	KW	MBH	KW
110%	-10	93.4	3.1	113.5	3.8	132.4	4.5	158.4	5.4	185.6	6.5	211.6	7.6
	-5	93.4	3.3	113.5	4.0	132.4	4.7	158.4	5.8	185.6	6.9	211.6	8.1
	10	93.4	3.3	113.5	4.1	132.4	4.8	158.4	5.9	185.6	7.1	211.6	8.3
	15	93.4	3.4	113.5	4.2	132.4	5.0	158.4	6.0	185.6	7.2	211.6	8.4
	20	93.4	3.5	113.5	4.3	132.4	5.1	158.4	6.2	185.6	7.4	211.6	8.6
	25	93.4	3.6	113.5	4.4	132.4	5.2	158.4	6.3	185.6	7.6	211.6	8.8
	30	93.4	3.7	113.5	4.5	132.4	5.3	158.4	6.5	185.6	7.7	211.6	9.0
	35	93.4	3.7	113.5	4.6	132.4	5.4	158.4	6.6	185.6	7.9	211.6	9.3
	40	93.4	3.8	113.5	4.7	132.4	5.6	158.4	6.8	185.6	8.1	211.6	9.5
	45	93.4	3.9	113.5	4.8	132.4	5.7	158.4	6.9	185.6	8.3	211.5	9.7
	50	93.4	4.0	113.5	5.0	132.4	5.8	158.4	7.1	185.6	8.5	210.8	9.9
	55	93.4	4.1	113.5	5.1	132.4	6.0	158.4	7.3	185.6	8.8	210.5	10.2
	60	93.4	4.2	113.5	5.2	132.4	6.2	158.4	7.5	185.6	9.0	210.5	10.5
	65	93.4	4.4	113.5	5.4	132.4	6.3	158.4	7.7	185.6	9.3	210.8	10.8
	70	93.4	4.7	113.5	5.8	132.4	6.9	158.4	8.4	185.6	10.1	211.2	11.7
	75	93.4	5.2	113.5	6.4	132.4	7.6	158.4	9.2	185.6	11.0	211.4	12.9
	80	93.4	5.7	113.5	7.0	132.4	8.3	158.4	10.1	185.6	12.1	211.1	14.1
	85	93.4	6.3	113.5	7.7	132.4	9.1	158.4	11.1	185.6	13.3	209.9	15.4
	90	93.4	6.9	113.5	8.5	132.4	10.0	158.4	12.2	185.6	14.6	207.4	16.7
	95	93.4	7.5	113.5	9.2	132.4	10.9	158.4	13.3	185.6	15.9	199.2	17.5
100	93.4	8.2	113.5	10.0	132.4	11.9	158.4	14.5	185.6	17.3	192.8	18.4	
105	93.4	8.8	113.5	10.8	132.4	12.8	158.4	15.6	180.1	18.1	183.5	18.9	
110	93.4	9.4	113.5	11.6	132.4	13.7	158.4	16.7	167.6	18.1	170.8	18.9	
115	93.4	10.0	113.5	12.3	132.4	14.5	146.6	16.4	151.0	17.2	153.9	18.0	
118	93.4	10.3	113.5	12.6	129.6	14.6	134.5	15.4	138.5	16.2	141.2	17.0	
125	88.7	10.2	92.6	10.7	95.8	11.2	99.5	11.9	102.4	12.5	104.4	13.1	
100%	-10	84.9	2.8	103.2	3.4	120.4	4.0	144.0	4.9	168.7	5.8	192.4	6.8
	-5	84.9	2.9	103.2	3.6	120.4	4.3	144.0	5.2	168.7	6.2	192.4	7.2
	10	84.9	3.0	103.2	3.7	120.4	4.3	144.0	5.3	168.7	6.3	192.4	7.4
	15	84.9	3.1	103.2	3.8	120.4	4.4	144.0	5.4	168.7	6.5	192.4	7.6
	20	84.9	3.1	103.2	3.8	120.4	4.5	144.0	5.5	168.7	6.6	192.4	7.7
	25	84.9	3.2	103.2	3.9	120.4	4.6	144.0	5.7	168.7	6.8	192.4	7.9
	30	84.9	3.3	103.2	4.0	120.4	4.7	144.0	5.8	168.7	6.9	192.4	8.1
	35	84.9	3.3	103.2	4.1	120.4	4.9	144.0	5.9	168.7	7.1	192.4	8.3
	40	84.9	3.4	103.2	4.2	120.4	5.0	144.0	6.1	168.7	7.3	192.4	8.5
	45	84.9	3.5	103.2	4.3	120.4	5.1	144.0	6.2	168.7	7.5	192.4	8.7
	50	84.9	3.6	103.2	4.4	120.4	5.2	144.0	6.4	168.7	7.6	192.4	8.9
	55	84.9	3.7	103.2	4.6	120.4	5.4	144.0	6.6	168.7	7.8	192.4	9.2
	60	84.9	3.8	103.2	4.7	120.4	5.5	144.0	6.7	168.7	8.1	192.4	9.4
	65	84.9	3.9	103.2	4.8	120.4	5.7	144.0	6.9	168.7	8.3	192.4	9.7
	70	84.9	4.3	103.2	5.2	120.4	6.2	144.0	7.5	168.7	9.0	192.4	10.5
	75	84.9	4.7	103.2	5.7	120.4	6.8	144.0	8.3	168.7	9.9	192.4	11.6
	80	84.9	5.1	103.2	6.3	120.4	7.4	144.0	9.1	168.7	10.9	192.4	12.7
	85	84.9	5.6	103.2	6.9	120.4	8.2	144.0	9.9	168.7	11.9	192.4	13.9
	90	84.9	6.2	103.2	7.6	120.4	8.9	144.0	10.9	168.7	13.1	192.4	15.2
	95	84.9	6.7	103.2	8.3	120.4	9.8	144.0	11.9	168.7	14.3	192.4	16.7
100	84.9	7.3	103.2	9.0	120.4	10.6	144.0	12.9	168.7	15.5	192.4	18.1	
105	84.9	7.9	103.2	9.7	120.4	11.5	144.0	14.0	168.7	16.7	183.5	18.6	
110	84.9	8.5	103.2	10.4	120.4	12.3	144.0	15.0	167.6	17.8	170.8	18.6	
115	84.9	8.9	103.2	11.0	120.4	13.0	144.0	15.8	151.0	17.0	153.9	17.7	
118	84.9	9.2	103.2	11.3	120.4	13.3	134.5	15.2	138.5	16.0	141.2	16.7	
125	84.9	9.6	92.6	10.6	95.8	11.1	99.5	11.7	102.4	12.3	104.4	12.9	

NOTE - Power Input = Compressor + Outdoor Fan Motor.  
MBH = 1000 BTUs per hour.

# COOLING CAPACITY - SINGLE MODULE | VRB144H4

Combination (%)	Outdoor Temperature °F (Dry Bulb)	Indoor Temperature - °F (Dry Bulb / Wet Bulb)											
		67 / 57		71 / 60		75 / 63		80 / 67		85 / 71		90 / 75	
		Total Cap.	Power Input	Total Cap.	Power Input	Total Cap.	Power Input	Total Cap.	Power Input	Total Cap.	Power Input	Total Cap.	Power Input
		MBH	kW	MBH	kW	MBH	kW	MBH	kW	MBH	kW	MBH	kW
90%	-10	76.4	2.4	92.8	3.0	108.3	3.5	129.6	4.3	151.8	5.2	173.1	6.0
	-5	76.4	2.6	92.8	3.2	108.3	3.8	129.6	4.6	151.8	5.5	173.1	6.4
	10	76.4	2.7	92.8	3.3	108.3	3.8	129.6	4.7	151.8	5.6	173.1	6.6
	15	76.4	2.7	92.8	3.3	108.3	3.9	129.6	4.8	151.8	5.7	173.1	6.7
	20	76.4	2.8	92.8	3.4	108.3	4.0	129.6	4.9	151.8	5.9	173.1	6.9
	25	76.4	2.8	92.8	3.5	108.3	4.1	129.6	5.0	151.8	6.0	173.1	7.0
	30	76.4	2.9	92.8	3.6	108.3	4.2	129.6	5.1	151.8	6.1	173.1	7.2
	35	76.4	3.0	92.8	3.6	108.3	4.3	129.6	5.3	151.8	6.3	173.1	7.3
	40	76.4	3.0	92.8	3.7	108.3	4.4	129.6	5.4	151.8	6.4	173.1	7.5
	45	76.4	3.1	92.8	3.8	108.3	4.5	129.6	5.5	151.8	6.6	173.1	7.7
	50	76.4	3.2	92.8	3.9	108.3	4.6	129.6	5.7	151.8	6.8	173.1	7.9
	55	76.4	3.3	92.8	4.0	108.3	4.8	129.6	5.8	151.8	7.0	173.1	8.1
	60	76.4	3.4	92.8	4.1	108.3	4.9	129.6	6.0	151.8	7.1	173.1	8.3
	65	76.4	3.5	92.8	4.3	108.3	5.0	129.6	6.1	151.8	7.3	173.1	8.6
	70	76.4	3.8	92.8	4.6	108.3	5.5	129.6	6.7	151.8	8.0	173.1	9.3
	75	76.4	4.1	92.8	5.1	108.3	6.0	129.6	7.3	151.8	8.8	173.1	10.2
	80	76.4	4.5	92.8	5.6	108.3	6.6	129.6	8.0	151.8	9.6	173.1	11.2
	85	76.4	5.0	92.8	6.1	108.3	7.2	129.6	8.8	151.8	10.6	173.1	12.3
	90	76.4	5.5	92.8	6.7	108.3	7.9	129.6	9.7	151.8	11.6	173.1	13.5
	95	76.4	6.0	92.8	7.3	108.3	8.7	129.6	10.6	151.8	12.6	173.1	14.8
100	76.4	6.5	92.8	8.0	108.3	9.4	129.6	11.5	151.8	13.7	173.1	16.1	
105	76.4	7.0	92.8	8.6	108.3	10.2	129.6	12.4	151.8	14.8	173.1	17.3	
110	76.4	7.5	92.8	9.2	108.3	10.9	129.6	13.3	151.8	15.9	170.8	18.3	
115	76.4	7.9	92.8	9.7	108.3	11.5	129.6	14.0	151.0	16.7	153.9	17.4	
118	76.4	8.2	92.8	10.0	108.3	11.8	129.6	14.4	138.5	15.8	141.2	16.5	
125	76.4	8.5	92.6	10.4	95.8	10.9	99.5	11.5	102.4	12.2	104.4	12.7	
80%	-10	67.9	2.1	82.5	2.6	96.3	3.1	115.2	3.8	135.0	4.5	153.9	5.3
	-5	67.9	2.3	82.5	2.8	96.3	3.3	115.2	4.0	135.0	4.8	153.9	5.6
	10	67.9	2.3	82.5	2.9	96.3	3.4	115.2	4.1	135.0	4.9	153.9	5.7
	15	67.9	2.4	82.5	2.9	96.3	3.4	115.2	4.2	135.0	5.0	153.9	5.9
	20	67.9	2.4	82.5	3.0	96.3	3.5	115.2	4.3	135.0	5.1	153.9	6.0
	25	67.9	2.5	82.5	3.1	96.3	3.6	115.2	4.4	135.0	5.3	153.9	6.1
	30	67.9	2.5	82.5	3.1	96.3	3.7	115.2	4.5	135.0	5.4	153.9	6.3
	35	67.9	2.6	82.5	3.2	96.3	3.8	115.2	4.6	135.0	5.5	153.9	6.4
	40	67.9	2.7	82.5	3.3	96.3	3.9	115.2	4.7	135.0	5.6	153.9	6.6
	45	67.9	2.7	82.5	3.4	96.3	4.0	115.2	4.8	135.0	5.8	153.9	6.8
	50	67.9	2.8	82.5	3.4	96.3	4.1	115.2	5.0	135.0	5.9	153.9	6.9
	55	67.9	2.9	82.5	3.5	96.3	4.2	115.2	5.1	135.0	6.1	153.9	7.1
	60	67.9	3.0	82.5	3.6	96.3	4.3	115.2	5.2	135.0	6.3	153.9	7.3
	65	67.9	3.0	82.5	3.7	96.3	4.4	115.2	5.4	135.0	6.4	153.9	7.5
	70	67.9	3.3	82.5	4.1	96.3	4.8	115.2	5.8	135.0	7.0	153.9	8.2
	75	67.9	3.6	82.5	4.5	96.3	5.3	115.2	6.4	135.0	7.7	153.9	9.0
	80	67.9	4.0	82.5	4.9	96.3	5.8	115.2	7.0	135.0	8.4	153.9	9.9
	85	67.9	4.4	82.5	5.4	96.3	6.3	115.2	7.7	135.0	9.3	153.9	10.8
	90	67.9	4.8	82.5	5.9	96.3	6.9	115.2	8.5	135.0	10.1	153.9	11.8
	95	67.9	5.2	82.5	6.4	96.3	7.6	115.2	9.2	135.0	11.1	153.9	12.9
100	67.9	5.7	82.5	7.0	96.3	8.2	115.2	10.1	135.0	12.0	153.9	14.1	
105	67.9	6.1	82.5	7.5	96.3	8.9	115.2	10.9	135.0	13.0	153.9	15.2	
110	67.9	6.6	82.5	8.1	96.3	9.5	115.2	11.6	135.0	13.9	153.9	16.2	
115	67.9	6.9	82.5	8.5	96.3	10.1	115.2	12.3	135.0	14.7	153.9	17.2	
118	67.9	7.1	82.5	8.8	96.3	10.4	115.2	12.6	135.0	15.1	141.2	16.2	
125	67.9	7.5	82.5	9.2	95.8	10.8	99.5	11.4	102.4	12.0	104.4	12.5	

NOTE - Power Input = Compressor + Outdoor Fan Motor.  
 MBH = 1000 BTUs per hour.



# COOLING CAPACITY - SINGLE MODULE | VRB144H4

Combination (%)	Outdoor Temperature °F (Dry Bulb)	Indoor Temperature - °F (Dry Bulb / Wet Bulb)											
		67 / 57		71 / 60		75 / 63		80 / 67		85 / 71		90 / 75	
		Total Cap.	Power Input	Total Cap.	Power Input	Total Cap.	Power Input	Total Cap.	Power Input	Total Cap.	Power Input	Total Cap.	Power Input
		MBH	KW	MBH	KW	MBH	KW	MBH	KW	MBH	KW	MBH	KW
70%	-10	59.4	1.8	72.2	2.3	84.3	2.7	100.8	3.3	118.1	3.9	134.7	4.6
	-5	59.4	2.0	72.2	2.4	84.3	2.8	100.8	3.5	118.1	4.2	134.7	4.9
	10	59.4	2.0	72.2	2.5	84.3	2.9	100.8	3.5	118.1	4.2	134.7	5.0
	15	59.4	2.0	72.2	2.5	84.3	3.0	100.8	3.6	118.1	4.3	134.7	5.1
	20	59.4	2.1	72.2	2.6	84.3	3.0	100.8	3.7	118.1	4.4	134.7	5.2
	25	59.4	2.1	72.2	2.6	84.3	3.1	100.8	3.8	118.1	4.5	134.7	5.3
	30	59.4	2.2	72.2	2.7	84.3	3.2	100.8	3.9	118.1	4.6	134.7	5.4
	35	59.4	2.2	72.2	2.8	84.3	3.3	100.8	4.0	118.1	4.8	134.7	5.6
	40	59.4	2.3	72.2	2.8	84.3	3.3	100.8	4.1	118.1	4.9	134.7	5.7
	45	59.4	2.4	72.2	2.9	84.3	3.4	100.8	4.2	118.1	5.0	134.7	5.8
	50	59.4	2.4	72.2	3.0	84.3	3.5	100.8	4.3	118.1	5.1	134.7	6.0
	55	59.4	2.5	72.2	3.0	84.3	3.6	100.8	4.4	118.1	5.3	134.7	6.1
	60	59.4	2.5	72.2	3.1	84.3	3.7	100.8	4.5	118.1	5.4	134.7	6.3
	65	59.4	2.6	72.2	3.2	84.3	3.8	100.8	4.6	118.1	5.5	134.7	6.5
	70	59.4	2.8	72.2	3.5	84.3	4.1	100.8	5.0	118.1	6.0	134.7	7.0
	75	59.4	3.1	72.2	3.8	84.3	4.5	100.8	5.5	118.1	6.6	134.7	7.7
	80	59.4	3.4	72.2	4.2	84.3	5.0	100.8	6.1	118.1	7.3	134.7	8.5
	85	59.4	3.8	72.2	4.6	84.3	5.5	100.8	6.7	118.1	8.0	134.7	9.3
	90	59.4	4.1	72.2	5.1	84.3	6.0	100.8	7.3	118.1	8.7	134.7	10.2
	95	59.4	4.5	72.2	5.5	84.3	6.5	100.8	8.0	118.1	9.6	134.7	11.2
100	59.4	4.9	72.2	6.0	84.3	7.1	100.8	8.7	118.1	10.4	134.7	12.1	
105	59.4	5.3	72.2	6.5	84.3	7.7	100.8	9.4	118.1	11.2	134.7	13.1	
110	59.4	5.7	72.2	7.0	84.3	8.2	100.8	10.0	118.1	12.0	134.7	14.0	
115	59.4	6.0	72.2	7.4	84.3	8.7	100.8	10.6	118.1	12.7	134.7	14.8	
118	59.4	6.2	72.2	7.6	84.3	8.9	100.8	10.9	118.1	13.1	134.7	15.2	
125	59.4	6.4	72.2	7.9	84.3	9.3	99.5	11.2	102.4	11.8	104.4	12.3	
60%	-10	50.9	1.6	61.9	1.9	72.2	2.3	86.4	2.8	101.2	3.3	115.4	3.9
	-5	50.9	1.7	61.9	2.0	72.2	2.4	86.4	2.9	101.2	3.5	115.4	4.1
	10	50.9	1.7	61.9	2.1	72.2	2.5	86.4	3.0	101.2	3.6	115.4	4.2
	15	50.9	1.7	61.9	2.1	72.2	2.5	86.4	3.1	101.2	3.7	115.4	4.3
	20	50.9	1.8	61.9	2.2	72.2	2.6	86.4	3.1	101.2	3.7	115.4	4.4
	25	50.9	1.8	61.9	2.2	72.2	2.6	86.4	3.2	101.2	3.8	115.4	4.5
	30	50.9	1.9	61.9	2.3	72.2	2.7	86.4	3.3	101.2	3.9	115.4	4.6
	35	50.9	1.9	61.9	2.3	72.2	2.8	86.4	3.4	101.2	4.0	115.4	4.7
	40	50.9	1.9	61.9	2.4	72.2	2.8	86.4	3.4	101.2	4.1	115.4	4.8
	45	50.9	2.0	61.9	2.4	72.2	2.9	86.4	3.5	101.2	4.2	115.4	4.9
	50	50.9	2.0	61.9	2.5	72.2	3.0	86.4	3.6	101.2	4.3	115.4	5.1
	55	50.9	2.1	61.9	2.6	72.2	3.0	86.4	3.7	101.2	4.4	115.4	5.2
	60	50.9	2.2	61.9	2.6	72.2	3.1	86.4	3.8	101.2	4.6	115.4	5.3
	65	50.9	2.2	61.9	2.7	72.2	3.2	86.4	3.9	101.2	4.7	115.4	5.5
	70	50.9	2.4	61.9	3.0	72.2	3.5	86.4	4.3	101.2	5.1	115.4	6.0
	75	50.9	2.6	61.9	3.2	72.2	3.8	86.4	4.7	101.2	5.6	115.4	6.5
	80	50.9	2.9	61.9	3.6	72.2	4.2	86.4	5.1	101.2	6.1	115.4	7.2
	85	50.9	3.2	61.9	3.9	72.2	4.6	86.4	5.6	101.2	6.7	115.4	7.9
	90	50.9	3.5	61.9	4.3	72.2	5.1	86.4	6.2	101.2	7.4	115.4	8.6
	95	50.9	3.8	61.9	4.7	72.2	5.5	86.4	6.7	101.2	8.1	115.4	9.4
100	50.9	4.1	61.9	5.1	72.2	6.0	86.4	7.3	101.2	8.8	115.4	10.2	
105	50.9	4.5	61.9	5.5	72.2	6.5	86.4	7.9	101.2	9.5	115.4	11.1	
110	50.9	4.8	61.9	5.9	72.2	6.9	86.4	8.5	101.2	10.1	115.4	11.8	
115	50.9	5.1	61.9	6.2	72.2	7.3	86.4	9.0	101.2	10.7	115.4	12.5	
118	50.9	5.2	61.9	6.4	72.2	7.6	86.4	9.2	101.2	11.0	115.4	12.9	
125	50.9	5.4	61.9	6.7	72.2	7.9	86.4	9.6	101.2	11.5	104.4	12.1	

NOTE - Power Input = Compressor + Outdoor Fan Motor.  
 MBH = 1000 BTUs per hour.

## COOLING CAPACITY - SINGLE MODULE | VRB144H4

Combination (%)	Outdoor Temperature °F (Dry Bulb)	Indoor Temperature - °F (Dry Bulb / Wet Bulb)											
		67 / 57		71 / 60		75 / 63		80 / 67		85 / 71		90 / 75	
		Total Cap.	Power Input	Total Cap.	Power Input	Total Cap.	Power Input	Total Cap.	Power Input	Total Cap.	Power Input	Total Cap.	Power Input
		MBH	kW	MBH	kW	MBH	kW	MBH	kW	MBH	kW	MBH	kW
50%	-10	42.4	1.3	51.6	1.6	60.2	1.9	72.0	2.3	84.4	2.7	96.2	3.2
	-5	42.4	1.4	51.6	1.7	60.2	2.0	72.0	2.4	84.4	2.9	96.2	3.4
	10	42.4	1.4	51.6	1.7	60.2	2.0	72.0	2.5	84.4	2.9	96.2	3.4
	15	42.4	1.4	51.6	1.7	60.2	2.1	72.0	2.5	84.4	3.0	96.2	3.5
	20	42.4	1.5	51.6	1.8	60.2	2.1	72.0	2.6	84.4	3.1	96.2	3.6
	25	42.4	1.5	51.6	1.8	60.2	2.2	72.0	2.6	84.4	3.1	96.2	3.7
	30	42.4	1.5	51.6	1.9	60.2	2.2	72.0	2.7	84.4	3.2	96.2	3.8
	35	42.4	1.6	51.6	1.9	60.2	2.3	72.0	2.8	84.4	3.3	96.2	3.9
	40	42.4	1.6	51.6	2.0	60.2	2.3	72.0	2.8	84.4	3.4	96.2	3.9
	45	42.4	1.6	51.6	2.0	60.2	2.4	72.0	2.9	84.4	3.5	96.2	4.0
	50	42.4	1.7	51.6	2.1	60.2	2.4	72.0	3.0	84.4	3.6	96.2	4.2
	55	42.4	1.7	51.6	2.1	60.2	2.5	72.0	3.0	84.4	3.6	96.2	4.3
	60	42.4	1.8	51.6	2.2	60.2	2.6	72.0	3.1	84.4	3.7	96.2	4.4
	65	42.4	1.8	51.6	2.2	60.2	2.6	72.0	3.2	84.4	3.9	96.2	4.5
	70	42.4	2.0	51.6	2.4	60.2	2.9	72.0	3.5	84.4	4.2	96.2	4.9
	75	42.4	2.2	51.6	2.7	60.2	3.2	72.0	3.8	84.4	4.6	96.2	5.4
	80	42.4	2.4	51.6	2.9	60.2	3.5	72.0	4.2	84.4	5.1	96.2	5.9
	85	42.4	2.6	51.6	3.2	60.2	3.8	72.0	4.6	84.4	5.5	96.2	6.5
90	42.4	2.9	51.6	3.5	60.2	4.2	72.0	5.1	84.4	6.1	96.2	7.1	
95	42.4	3.1	51.6	3.8	60.2	4.5	72.0	5.5	84.4	6.6	96.2	7.7	
100	42.4	3.4	51.6	4.2	60.2	4.9	72.0	6.0	84.4	7.2	96.2	8.4	
105	42.4	3.7	51.6	4.5	60.2	5.3	72.0	6.5	84.4	7.8	96.2	9.1	
110	42.4	3.9	51.6	4.8	60.2	5.7	72.0	7.0	84.4	8.3	96.2	9.7	
115	42.4	4.2	51.6	5.1	60.2	6.0	72.0	7.4	84.4	8.8	96.2	10.3	
118	42.4	4.3	51.6	5.3	60.2	6.2	72.0	7.6	84.4	9.1	96.2	10.6	
125	42.4	4.5	51.6	5.5	60.2	6.5	72.0	7.9	84.4	9.5	96.2	11.0	

NOTE - Power Input = Compressor + Outdoor Fan Motor.  
 MBH = 1000 BTUs per hour.

# HEATING CAPACITY - SINGLE MODULE | VRB144H4

Combination (%)	Outdoor Temperature (°F)		Indoor Temperature - °F Dry Bulb											
			61		64		67		70		73		75	
			Total Cap.	Power Input	Total Cap.	Power Input	Total Cap.	Power Input	Total Cap.	Power Input	Total Cap.	Power Input	Total Cap.	Power Input
	Dry Bulb	Wet Bulb	MBH	kW	MBH	kW	MBH	kW	MBH	kW	MBH	kW	MBH	kW
130%	-13	-14	94.6	9.7	94.4	9.9	94.2	10.2	93.9	10.5	93.7	10.8	93.5	11.0
	-8	-9	97.6	10.0	97.3	10.2	97.1	10.5	96.9	10.8	96.6	11.1	96.5	11.4
	-3	-4	103.5	10.5	103.3	10.8	103.0	11.1	102.8	11.4	102.5	11.7	102.3	12.0
	2	1	111.6	11.2	111.3	11.5	111.1	11.8	110.8	12.1	110.5	12.5	110.3	12.7
	7	6	121.0	11.9	120.7	12.2	120.4	12.5	120.1	12.9	119.8	13.3	119.6	13.5
	12	10	131.0	12.6	130.7	12.9	130.4	13.2	130.1	13.6	129.7	14.0	129.5	14.2
	17	15	141.1	13.2	140.8	13.5	140.4	13.8	140.1	14.2	139.7	14.6	139.5	14.8
	22	20	150.8	13.6	150.4	13.9	150.0	14.3	149.7	14.6	149.3	15.0	149.0	15.3
	27	24	159.6	13.9	159.2	14.2	158.8	14.5	158.4	14.9	158.0	15.2	157.8	15.5
	32	29	167.4	14.0	167.0	14.3	166.6	14.6	166.1	14.9	165.8	15.1	165.5	14.9
	37	34	173.9	13.9	173.4	14.2	173.0	14.4	172.7	14.4	172.4	14.1	172.1	13.9
	42	38	179.0	13.6	178.7	13.9	178.4	13.7	178.1	13.5	177.7	13.2	177.4	13.0
	47	43	188.8	13.5	188.5	13.3	188.1	13.1	187.8	12.9	187.5	12.8	187.2	12.6
	52	47	206.3	13.5	206.0	13.3	205.7	13.2	205.3	13.0	197.3	12.4	188.7	11.8
	57	52	223.1	13.4	222.8	13.2	222.5	13.1	210.6	12.3	197.3	11.5	188.7	10.9
	62	56	239.4	13.3	236.4	13.0	223.9	12.3	210.6	11.5	197.3	10.7	188.7	10.2
	67	61	249.7	12.9	236.4	12.1	223.9	11.4	210.6	10.7	197.3	10.0	188.7	9.6
	72	66	249.7	12.0	236.4	11.3	223.9	10.7	210.6	10.1	197.3	9.4	188.7	9.0
75	69	249.7	11.6	236.4	10.9	223.9	10.3	210.6	9.7	197.3	9.1	188.7	8.7	
80	74	249.7	10.9	236.4	10.3	223.9	9.7	210.6	9.2	197.3	8.6	188.7	8.2	
120%	-13	-14	94.3	9.5	94.0	9.7	93.8	10.0	93.6	10.3	93.3	10.6	93.2	10.8
	-8	-9	97.2	9.8	97.0	10.0	96.7	10.3	96.5	10.6	96.2	10.9	96.1	11.1
	-3	-4	103.1	10.3	102.9	10.6	102.6	10.9	102.4	11.2	102.1	11.5	101.9	11.7
	2	1	111.2	11.0	110.9	11.3	110.6	11.6	110.3	11.9	110.1	12.2	109.9	12.5
	7	6	120.5	11.7	120.2	12.0	119.9	12.3	119.6	12.6	119.3	13.0	119.1	13.2
	12	10	130.5	12.4	130.2	12.7	129.9	13.0	129.5	13.3	129.2	13.7	129.0	14.0
	17	15	140.6	12.9	140.2	13.2	139.9	13.6	139.5	13.9	139.2	14.3	138.9	14.5
	22	20	150.2	13.4	149.8	13.7	149.4	14.0	149.1	14.3	148.7	14.7	148.4	15.0
	27	24	159.0	13.6	158.6	13.9	158.2	14.2	157.8	14.6	157.4	14.9	157.1	15.2
	32	29	166.7	13.7	166.3	14.0	165.9	14.3	165.5	14.6	165.2	14.8	164.8	14.6
	37	34	173.2	13.6	172.8	13.9	172.3	14.2	172.0	14.2	171.7	13.8	171.4	13.6
	42	38	178.3	13.4	178.0	13.6	177.7	13.4	177.4	13.2	177.0	13.0	174.2	12.6
	47	43	188.8	13.3	188.5	13.1	188.1	12.9	187.8	12.7	182.1	12.2	174.2	11.6
	52	47	206.3	13.3	206.0	13.1	205.7	13.0	194.4	12.1	182.1	11.2	174.2	10.7
	57	52	223.1	13.2	218.2	12.8	206.7	12.0	194.4	11.2	182.1	10.4	174.2	9.9
	62	56	230.5	12.6	218.2	11.8	206.7	11.1	194.4	10.4	182.1	9.7	174.2	9.3
	67	61	230.5	11.7	218.2	11.0	206.7	10.4	194.4	9.7	182.1	9.1	174.2	8.7
	72	66	230.5	10.9	218.2	10.3	206.7	9.7	194.4	9.2	182.1	8.6	174.2	8.2
75	69	230.5	10.5	218.2	9.9	206.7	9.4	194.4	8.8	182.1	8.3	174.2	7.9	
80	74	230.5	9.9	218.2	9.4	206.7	8.9	194.4	8.3	182.1	7.8	174.2	7.5	
110%	-13	-14	93.9	9.3	93.7	9.6	93.4	9.8	93.2	10.1	92.9	10.4	92.8	10.6
	-8	-9	96.8	9.6	96.6	9.9	96.3	10.1	96.1	10.4	95.9	10.7	95.7	10.9
	-3	-4	102.7	10.1	102.5	10.4	102.2	10.7	102.0	11.0	101.7	11.3	101.5	11.5
	2	1	110.7	10.8	110.5	11.1	110.2	11.3	109.9	11.7	109.6	12.0	109.4	12.2
	7	6	120.1	11.5	119.7	11.8	119.5	12.1	119.2	12.4	118.8	12.7	118.6	13.0
	12	10	130.0	12.1	129.7	12.4	129.4	12.7	129.0	13.1	128.7	13.4	128.5	13.7
	17	15	140.0	12.7	139.7	13.0	139.3	13.3	139.0	13.7	138.6	14.0	138.4	14.3
	22	20	149.6	13.1	149.2	13.4	148.9	13.7	148.5	14.1	148.1	14.4	147.8	14.7
	27	24	158.4	13.4	158.0	13.7	157.6	14.0	157.2	14.3	156.8	14.6	156.8	14.9
	32	29	166.1	13.4	165.6	13.7	165.2	14.0	164.8	14.3	164.5	14.6	159.7	13.9
	37	34	172.5	13.3	172.1	13.6	171.7	13.9	171.3	13.9	166.9	13.3	159.7	12.5
	42	38	177.6	13.1	177.3	13.4	177.0	13.2	176.6	12.9	166.9	12.0	159.7	11.4
	47	43	188.8	13.1	188.5	12.9	188.1	12.7	178.2	11.9	166.9	11.0	159.7	10.4
	52	47	206.3	13.1	200.1	12.5	189.5	11.7	178.2	10.9	166.9	10.1	159.7	9.6
	57	52	211.3	12.3	200.1	11.5	189.5	10.8	178.2	10.1	166.9	9.4	159.7	9.0
	62	56	211.3	11.3	200.1	10.7	189.5	10.1	178.2	9.4	166.9	8.8	159.7	8.4
	67	61	211.3	10.5	200.1	9.9	189.5	9.4	178.2	8.8	166.9	8.2	159.7	7.8
	72	66	211.3	9.9	200.1	9.3	189.5	8.8	178.2	8.3	166.9	7.7	159.7	7.4
75	69	211.3	9.5	200.1	9.0	189.5	8.5	178.2	8.0	166.9	7.5	159.7	7.1	
80	74	211.3	8.9	200.1	8.4	189.5	8.0	178.2	7.5	166.9	7.1	159.7	6.7	

NOTE - Power Input = Compressor + Outdoor Fan Motor.  
 MBH = 1000 BTUs per hour.

# HEATING CAPACITY - SINGLE MODULE | VRB144H4

Combination (%)	Outdoor Temperature (°F)		Indoor Temperature - °F Dry Bulb											
			61		64		67		70		73		75	
	Dry Bulb	Wet Bulb	Total Cap. MBH	Power Input kW	Total Cap. MBH	Power Input kW	Total Cap. MBH	Power Input kW	Total Cap. MBH	Power Input kW	Total Cap. MBH	Power Input kW	Total Cap. MBH	Power Input kW
100%	-13	-14	93.5	9.1	93.3	9.4	93.1	9.6	92.8	9.9	92.6	10.2	92.4	10.4
	-8	-9	96.4	9.4	96.2	9.7	96.0	9.9	95.7	10.2	95.5	10.5	95.3	10.7
	-3	-4	102.3	9.9	102.1	10.2	101.8	10.5	101.6	10.8	101.3	11.1	101.1	11.3
	2	1	110.3	10.6	110.0	10.8	109.7	11.1	109.5	11.4	109.2	11.8	109.0	12.0
	7	6	119.6	11.2	119.3	11.5	119.0	11.8	118.7	12.2	118.4	12.5	118.2	12.7
	12	10	129.5	11.9	129.2	12.2	128.8	12.5	128.5	12.8	128.2	13.2	128.0	13.4
	17	15	139.5	12.4	139.1	12.7	138.8	13.1	138.4	13.4	138.1	13.8	137.8	14.0
	22	20	149.0	12.9	148.6	13.2	148.3	13.5	147.9	13.8	147.5	14.2	145.1	14.2
	27	24	157.7	13.1	157.3	13.4	157.0	13.7	156.6	14.0	151.8	14.0	145.1	13.6
	32	29	165.4	13.2	165.0	13.5	164.6	13.7	162.0	13.9	151.8	13.2	145.1	12.4
	37	34	171.8	13.1	171.4	13.4	171.0	13.6	162.0	12.9	151.8	11.9	145.1	11.2
	42	38	176.9	12.9	176.5	13.1	172.2	12.6	162.0	11.7	151.8	10.8	145.1	10.2
	47	43	180.7	12.4	180.2	12.2	172.2	11.5	162.0	10.7	151.8	9.9	145.1	9.3
	52	47	183.3	11.4	181.9	11.2	172.2	10.5	162.0	9.8	151.8	9.1	145.1	8.6
	57	52	184.9	10.6	181.9	10.3	172.2	9.7	162.0	9.1	151.8	8.4	145.1	8.0
	62	56	186.0	9.8	181.9	9.6	172.2	9.0	162.0	8.4	151.8	7.9	145.1	7.5
	67	61	186.8	9.2	181.9	8.9	172.2	8.4	162.0	7.9	151.8	7.4	145.1	7.0
	72	66	187.9	8.6	181.9	8.3	172.2	7.9	162.0	7.4	151.8	6.9	145.1	6.6
75	69	189.0	8.3	181.9	8.0	172.2	7.6	162.0	7.1	151.8	6.7	145.1	6.4	
80	74	192.0	8.0	181.9	7.6	172.2	7.2	162.0	6.7	151.8	6.3	145.1	6.0	
90%	-13	-14	93.1	9.0	92.9	9.2	92.7	9.4	92.4	9.7	92.2	10.0	92.1	10.2
	-8	-9	96.1	9.2	95.8	9.5	95.6	9.7	95.3	10.0	95.1	10.3	94.9	10.5
	-3	-4	101.9	9.7	101.7	10.0	101.4	10.3	101.1	10.6	100.9	10.9	100.7	11.1
	2	1	109.9	10.4	109.6	10.6	109.3	10.9	109.0	11.2	108.7	11.6	108.6	11.8
	7	6	119.1	11.0	118.8	11.3	118.5	11.6	118.2	11.9	117.9	12.3	117.7	12.5
	12	10	129.0	11.7	128.6	12.0	128.3	12.3	128.0	12.6	127.7	12.9	127.5	13.2
	17	15	138.9	12.2	138.5	12.5	138.2	12.8	137.9	13.1	136.6	13.4	130.6	13.1
	22	20	148.4	12.6	148.0	12.9	147.7	13.2	145.8	13.4	136.6	12.9	130.6	12.6
	27	24	157.1	12.9	156.7	13.1	155.0	13.3	145.8	12.9	136.6	12.4	130.6	12.1
	32	29	164.7	12.9	163.7	13.2	155.0	12.8	145.8	12.3	136.6	11.7	130.6	11.0
	37	34	171.1	12.8	163.7	12.6	155.0	12.2	145.8	11.5	136.6	10.5	130.6	9.9
	42	38	172.9	12.4	163.7	12.0	155.0	11.2	145.8	10.4	136.6	9.6	130.6	9.0
	47	43	172.9	11.7	163.7	10.9	155.0	10.2	145.8	9.5	136.6	8.7	130.6	8.3
	52	47	172.9	10.6	163.7	9.9	155.0	9.3	145.8	8.7	136.6	8.1	130.6	7.7
	57	52	172.9	9.7	163.7	9.2	155.0	8.6	145.8	8.0	136.6	7.5	130.6	7.1
	62	56	172.9	9.0	163.7	8.5	155.0	8.0	145.8	7.5	136.6	7.0	130.6	6.6
	67	61	172.9	8.4	163.7	7.9	155.0	7.5	145.8	7.0	136.6	6.5	130.6	6.2
	72	66	172.9	7.8	163.7	7.4	155.0	7.0	145.8	6.6	136.6	6.1	130.6	5.9
75	69	172.9	7.5	163.7	7.1	155.0	6.7	145.8	6.3	136.6	5.9	130.6	5.7	
80	74	172.9	7.1	163.7	6.7	155.0	6.4	145.8	6.0	136.6	5.6	130.6	5.4	
80%	-13	-14	92.8	8.8	92.5	9.0	92.3	9.3	92.1	9.5	91.8	9.8	91.7	10.0
	-8	-9	95.7	9.1	95.4	9.3	95.2	9.6	95.0	9.8	94.7	10.1	94.5	10.3
	-3	-4	101.5	9.6	101.2	9.8	101.0	10.1	100.7	10.4	100.5	10.7	100.3	10.9
	2	1	109.4	10.2	109.1	10.4	108.9	10.7	108.6	11.0	108.3	11.3	108.1	11.6
	7	6	118.6	10.8	118.3	11.1	118.0	11.4	117.7	11.7	117.4	12.0	116.1	12.2
	12	10	128.5	11.5	128.1	11.7	127.8	12.0	127.5	12.4	121.4	12.1	116.1	11.8
	17	15	138.3	12.0	138.0	12.3	137.7	12.6	129.6	12.2	121.4	11.7	116.1	11.4
	22	20	147.8	12.4	145.5	12.5	137.8	12.1	129.6	11.7	121.4	11.3	116.1	11.0
	27	24	153.7	12.4	145.5	12.0	137.8	11.7	129.6	11.3	121.4	10.8	116.1	10.6
	32	29	153.7	11.9	145.5	11.5	137.8	11.2	129.6	10.8	121.4	10.3	116.1	9.7
	37	34	153.7	11.4	145.5	11.0	137.8	10.7	129.6	10.1	121.4	9.2	116.1	8.7
	42	38	153.7	10.8	145.5	10.5	137.8	9.8	129.6	9.1	121.4	8.4	116.1	7.9
	47	43	153.7	10.2	145.5	9.5	137.8	8.9	129.6	8.3	121.4	7.7	116.1	7.3
	52	47	153.7	9.3	145.5	8.7	137.8	8.2	129.6	7.6	121.4	7.1	116.1	6.7
	57	52	153.7	8.5	145.5	8.0	137.8	7.5	129.6	7.0	121.4	6.5	116.1	6.2
	62	56	153.7	7.9	145.5	7.4	137.8	7.0	129.6	6.5	121.4	6.1	116.1	5.8
	67	61	153.7	7.3	145.5	6.9	137.8	6.5	129.6	6.1	121.4	5.7	116.1	5.5
	72	66	153.7	6.9	145.5	6.5	137.8	6.1	129.6	5.7	121.4	5.4	116.1	5.1
75	69	153.7	6.6	145.5	6.2	137.8	5.9	129.6	5.5	121.4	5.2	116.1	5.0	
80	74	153.7	6.2	145.5	5.9	137.8	5.6	129.6	5.2	121.4	4.9	116.1	4.7	

NOTE - Power Input = Compressor + Outdoor Fan Motor.  
MBH = 1000 BTUs per hour.

# HEATING CAPACITY - SINGLE MODULE | VRB144H4

Combination (%)	Outdoor Temperature (°F)		Indoor Temperature - °F Dry Bulb														
			61		64		67		70		73		75				
			Total Cap.	Power Input	Total Cap.	Power Input	Total Cap.	Power Input	Total Cap.	Power Input	Total Cap.	Power Input	Total Cap.	Power Input			
	MBH	kW	MBH	kW	MBH	kW	MBH	kW	MBH	kW	MBH	kW					
70%	Dry Bulb	Wet Bulb															
	60%																
50%																	

NOTE - Power Input = Compressor + Outdoor Fan Motor.  
 MBH = 1000 BTUs per hour.

# COOLING CAPACITY - SINGLE MODULE | VRB168H4

Combination (%)	Outdoor Temperature °F (Dry Bulb)	Indoor Temperature - °F (Dry Bulb / Wet Bulb)											
		67 / 57		71 / 60		75 / 63		80 / 67		85 / 71		90 / 75	
		Total Cap.	Power Input	Total Cap.	Power Input	Total Cap.	Power Input	Total Cap.	Power Input	Total Cap.	Power Input	Total Cap.	Power Input
		MBH	kW	MBH	kW	MBH	kW	MBH	kW	MBH	kW	MBH	kW
130%	-10	128.8	4.5	156.5	5.5	182.5	6.5	218.4	7.9	255.9	9.5	291.7	11.1
	-5	128.8	4.7	156.5	5.8	182.5	6.9	218.4	8.4	255.9	10.1	278.5	11.2
	10	128.8	4.9	156.5	6.0	182.5	7.0	218.4	8.6	255.9	10.3	273.8	11.3
	15	128.8	5.0	156.5	6.1	182.5	7.2	218.4	8.8	255.9	10.5	268.5	11.3
	20	128.8	5.1	156.5	6.2	182.5	7.4	218.4	9.0	255.9	10.7	263.3	11.3
	25	128.8	5.2	156.5	6.4	182.5	7.5	218.4	9.2	255.9	11.0	257.9	11.3
	30	128.8	5.3	156.5	6.5	182.5	7.7	218.4	9.4	249.5	11.0	252.9	11.4
	35	128.8	5.4	156.5	6.7	182.5	7.9	218.4	9.6	244.8	11.0	248.1	11.4
	40	128.8	5.6	156.5	6.8	182.5	8.1	218.4	9.8	242.2	11.2	245.6	11.6
	45	128.8	5.7	156.5	7.0	182.5	8.3	218.4	10.1	241.9	11.4	245.2	11.9
	50	128.8	5.9	156.5	7.2	182.5	8.5	218.4	10.4	241.9	11.7	245.2	12.2
	55	128.8	6.0	156.5	7.4	182.5	8.7	218.4	10.6	242.2	12.0	245.5	12.5
	60	128.8	6.2	156.5	7.6	182.5	9.0	218.4	10.9	243.4	12.4	246.0	12.9
	65	128.8	6.3	156.5	7.8	182.5	9.2	218.4	11.2	241.7	12.7	246.3	13.2
	70	128.8	6.9	156.5	8.5	182.5	10.0	218.4	12.2	241.8	13.8	246.4	14.4
	75	128.8	7.6	156.5	9.3	182.5	11.0	218.4	13.4	241.3	15.1	245.9	15.8
	80	128.8	8.3	156.5	10.2	182.5	12.1	218.4	14.7	239.9	16.5	244.5	17.2
	85	128.8	9.1	156.5	11.2	182.5	13.2	218.4	16.1	237.3	17.9	241.8	18.7
	90	128.8	10.0	156.5	12.3	182.5	14.5	218.4	17.7	232.8	19.3	237.3	20.1
	95	128.8	10.9	156.5	13.4	182.5	15.8	210.8	18.6	214.1	19.4	217.5	20.1
100	128.8	11.9	156.5	14.6	182.5	17.2	201.2	19.3	204.5	20.1	208.5	21.0	
105	128.8	12.8	156.5	15.7	182.5	18.6	186.9	19.4	192.5	20.4	196.2	21.3	
110	128.8	13.7	156.5	16.9	165.2	18.0	171.6	19.1	176.7	20.1	180.1	20.9	
115	128.8	14.5	141.4	16.1	146.3	16.9	151.9	17.8	156.4	18.8	159.4	19.6	
118	122.6	14.2	128.0	15.0	132.5	15.7	137.6	16.6	141.7	17.5	144.4	18.3	
125	86.4	10.4	90.2	11.0	93.3	11.5	96.9	12.2	99.8	12.9	101.7	13.4	
120%	-10	118.9	4.1	144.4	5.0	168.5	5.9	201.6	7.2	236.2	8.6	269.3	10.0
	-5	118.9	4.3	144.4	5.3	168.5	6.3	201.6	7.6	236.2	9.1	269.3	10.7
	10	118.9	4.4	144.4	5.4	168.5	6.4	201.6	7.8	236.2	9.3	269.1	10.9
	15	118.9	4.5	144.4	5.5	168.5	6.5	201.6	8.0	236.2	9.5	263.9	10.9
	20	118.9	4.6	144.4	5.7	168.5	6.7	201.6	8.1	236.2	9.8	258.7	10.9
	25	118.9	4.7	144.4	5.8	168.5	6.8	201.6	8.3	236.2	10.0	253.3	11.0
	30	118.9	4.8	144.4	5.9	168.5	7.0	201.6	8.5	236.2	10.2	248.3	11.0
	35	118.9	4.9	144.4	6.1	168.5	7.2	201.6	8.7	236.2	10.5	243.6	11.0
	40	118.9	5.1	144.4	6.2	168.5	7.3	201.6	8.9	236.2	10.7	240.9	11.2
	45	118.9	5.2	144.4	6.4	168.5	7.5	201.6	9.2	236.2	11.0	240.6	11.5
	50	118.9	5.3	144.4	6.5	168.5	7.7	201.6	9.4	236.2	11.3	240.6	11.8
	55	118.9	5.5	144.4	6.7	168.5	7.9	201.6	9.7	236.2	11.6	240.9	12.1
	60	118.9	5.6	144.4	6.9	168.5	8.1	201.6	9.9	236.2	11.9	241.3	12.4
	65	118.9	5.8	144.4	7.1	168.5	8.4	201.6	10.2	236.2	12.2	241.7	12.8
	70	118.9	6.3	144.4	7.7	168.5	9.1	201.6	11.1	236.2	13.3	241.8	13.9
	75	118.9	6.9	144.4	8.5	168.5	10.0	201.6	12.2	236.2	14.6	241.3	15.3
	80	118.9	7.6	144.4	9.3	168.5	11.0	201.6	13.4	235.4	16.0	239.9	16.7
	85	118.9	8.3	144.4	10.2	168.5	12.0	201.6	14.7	232.8	17.3	237.2	18.1
	90	118.9	9.1	144.4	11.2	168.5	13.2	201.6	16.1	228.5	18.6	232.8	19.4
	95	118.9	9.9	144.4	12.2	168.5	14.4	201.6	17.5	214.1	19.1	217.5	19.8
100	118.9	10.8	144.4	13.3	168.5	15.7	201.6	19.1	204.5	19.8	208.5	20.7	
105	118.9	11.6	144.4	14.3	168.5	16.9	186.9	19.1	192.5	20.1	196.2	21.0	
110	118.9	12.5	144.4	15.3	165.2	17.7	171.6	18.8	176.7	19.7	180.1	20.6	
115	118.9	13.2	141.4	15.9	146.3	16.6	151.9	17.6	156.4	18.5	159.4	19.3	
118	118.9	13.6	128.0	14.8	132.5	15.5	137.6	16.4	141.7	17.2	144.4	18.0	
125	86.4	10.3	90.2	10.9	93.3	11.4	96.9	12.0	99.8	12.7	101.7	13.2	

NOTE - Power Input = Compressor + Outdoor Fan Motor.  
MBH = 1000 BTUs per hour.



# COOLING CAPACITY - SINGLE MODULE | VRB168H4

Combination (%)	Outdoor Temperature °F (Dry Bulb)	Indoor Temperature - °F (Dry Bulb / Wet Bulb)											
		67 / 57		71 / 60		75 / 63		80 / 67		85 / 71		90 / 75	
		Total Cap.	Power Input	Total Cap.	Power Input	Total Cap.	Power Input	Total Cap.	Power Input	Total Cap.	Power Input	Total Cap.	Power Input
		MBH	KW	MBH	KW	MBH	KW	MBH	KW	MBH	KW	MBH	KW
110%	-10	108.9	3.7	132.4	4.5	154.5	5.3	184.8	6.5	216.5	7.8	246.9	9.1
	-5	108.9	3.9	132.4	4.8	154.5	5.7	184.8	6.9	216.5	8.3	246.9	9.6
	10	108.9	4.0	132.4	4.9	154.5	5.8	184.8	7.0	216.5	8.4	246.9	9.8
	15	108.9	4.1	132.4	5.0	154.5	5.9	184.8	7.2	216.5	8.6	246.9	10.1
	20	108.9	4.2	132.4	5.1	154.5	6.0	184.8	7.4	216.5	8.8	246.9	10.3
	25	108.9	4.3	132.4	5.2	154.5	6.2	184.8	7.5	216.5	9.0	246.9	10.5
	30	108.9	4.4	132.4	5.3	154.5	6.3	184.8	7.7	216.5	9.2	243.7	10.6
	35	108.9	4.5	132.4	5.5	154.5	6.5	184.8	7.9	216.5	9.4	239.1	10.7
	40	108.9	4.6	132.4	5.6	154.5	6.6	184.8	8.1	216.5	9.7	236.3	10.8
	45	108.9	4.7	132.4	5.8	154.5	6.8	184.8	8.3	216.5	9.9	236.0	11.1
	50	108.9	4.8	132.4	5.9	154.5	7.0	184.8	8.5	216.5	10.2	236.0	11.4
	55	108.9	4.9	132.4	6.1	154.5	7.2	184.8	8.7	216.5	10.4	236.3	11.7
	60	108.9	5.1	132.4	6.2	154.5	7.3	184.8	9.0	216.5	10.7	236.7	12.0
	65	108.9	5.2	132.4	6.4	154.5	7.6	184.8	9.2	216.5	11.0	237.0	12.4
	70	108.9	5.7	132.4	7.0	154.5	8.2	184.8	10.0	216.5	12.0	237.1	13.5
	75	108.9	6.2	132.4	7.6	154.5	9.0	184.8	11.0	216.5	13.2	236.7	14.7
	80	108.9	6.8	132.4	8.4	154.5	9.9	184.8	12.1	216.5	14.5	235.3	16.1
	85	108.9	7.5	132.4	9.2	154.5	10.9	184.8	13.2	216.5	15.9	232.7	17.5
	90	108.9	8.2	132.4	10.1	154.5	11.9	184.8	14.5	216.5	17.4	228.4	18.8
	95	108.9	9.0	132.4	11.0	154.5	13.0	184.8	15.8	216.5	19.0	217.5	19.5
100	108.9	9.7	132.4	12.0	154.5	14.1	184.8	17.2	204.5	19.5	208.5	20.3	
105	108.9	10.5	132.4	12.9	154.5	15.3	184.8	18.6	192.5	19.8	196.2	20.7	
110	108.9	11.2	132.4	13.8	154.5	16.3	171.6	18.5	176.7	19.4	180.1	20.3	
115	108.9	11.9	132.4	14.6	146.3	16.4	151.9	17.3	156.4	18.2	159.4	19.0	
118	108.9	12.2	128.0	14.5	132.5	15.2	137.6	16.1	141.7	17.0	144.4	17.7	
125	86.4	10.1	90.2	10.7	93.3	11.2	96.9	11.8	99.8	12.5	101.7	13.0	
100%	-10	99.0	3.3	120.4	4.0	140.4	4.8	168.0	5.8	196.8	7.0	224.4	8.1
	-5	99.0	3.5	120.4	4.3	140.4	5.1	168.0	6.2	196.8	7.4	224.4	8.6
	10	99.0	3.6	120.4	4.4	140.4	5.2	168.0	6.3	196.8	7.6	224.4	8.8
	15	99.0	3.6	120.4	4.5	140.4	5.3	168.0	6.4	196.8	7.7	224.4	9.0
	20	99.0	3.7	120.4	4.6	140.4	5.4	168.0	6.6	196.8	7.9	224.4	9.2
	25	99.0	3.8	120.4	4.7	140.4	5.5	168.0	6.7	196.8	8.1	224.4	9.4
	30	99.0	3.9	120.4	4.8	140.4	5.7	168.0	6.9	196.8	8.3	224.4	9.6
	35	99.0	4.0	120.4	4.9	140.4	5.8	168.0	7.1	196.8	8.5	224.4	9.9
	40	99.0	4.1	120.4	5.0	140.4	5.9	168.0	7.2	196.8	8.7	224.4	10.1
	45	99.0	4.2	120.4	5.2	140.4	6.1	168.0	7.4	196.8	8.9	224.4	10.4
	50	99.0	4.3	120.4	5.3	140.4	6.2	168.0	7.6	196.8	9.1	224.4	10.6
	55	99.0	4.4	120.4	5.4	140.4	6.4	168.0	7.8	196.8	9.3	224.4	10.9
	60	99.0	4.5	120.4	5.6	140.4	6.6	168.0	8.0	196.8	9.6	224.4	11.2
	65	99.0	4.7	120.4	5.7	140.4	6.8	168.0	8.2	196.8	9.9	224.4	11.5
	70	99.0	5.1	120.4	6.2	140.4	7.4	168.0	9.0	196.8	10.7	224.4	12.5
	75	99.0	5.6	120.4	6.8	140.4	8.1	168.0	9.8	196.8	11.8	224.4	13.8
	80	99.0	6.1	120.4	7.5	140.4	8.9	168.0	10.8	196.8	12.9	224.4	15.1
	85	99.0	6.7	120.4	8.2	140.4	9.7	168.0	11.9	196.8	14.2	224.4	16.6
	90	99.0	7.3	120.4	9.0	140.4	10.7	168.0	13.0	196.8	15.6	223.9	18.1
	95	99.0	8.0	120.4	9.9	140.4	11.6	<b>168.0</b>	<b>14.2</b>	196.8	17.0	217.5	19.2
100	99.0	8.7	120.4	10.7	140.4	12.7	168.0	15.4	196.8	18.5	208.5	20.0	
105	99.0	9.4	120.4	11.6	140.4	13.7	168.0	16.6	192.5	19.5	196.2	20.4	
110	99.0	10.1	120.4	12.4	140.4	14.6	168.0	17.8	176.7	19.2	180.1	20.0	
115	99.0	10.7	120.4	13.1	140.4	15.5	151.9	17.0	156.4	17.9	159.4	18.7	
118	99.0	11.0	120.4	13.5	132.5	15.0	137.6	15.9	141.7	16.7	144.4	17.4	
125	86.4	10.0	90.2	10.5	93.3	11.0	96.9	11.7	99.8	12.3	101.7	12.8	

NOTE - Power Input = Compressor + Outdoor Fan Motor.  
 MBH = 1000 BTUs per hour.



# COOLING CAPACITY - SINGLE MODULE | VRB168H4

Combination (%)	Outdoor Temperature °F (Dry Bulb)	Indoor Temperature - °F (Dry Bulb / Wet Bulb)											
		67 / 57		71 / 60		75 / 63		80 / 67		85 / 71		90 / 75	
		Total Cap.	Power Input	Total Cap.	Power Input	Total Cap.	Power Input	Total Cap.	Power Input	Total Cap.	Power Input	Total Cap.	Power Input
		MBH	kW	MBH	kW	MBH	kW	MBH	kW	MBH	kW	MBH	kW
90%	-10	89.1	2.9	108.3	3.6	126.4	4.2	151.2	5.1	177.2	6.2	202.0	7.2
	-5	89.1	3.1	108.3	3.8	126.4	4.5	151.2	5.5	177.2	6.6	202.0	7.7
	10	89.1	3.2	108.3	3.9	126.4	4.6	151.2	5.6	177.2	6.7	202.0	7.8
	15	89.1	3.2	108.3	4.0	126.4	4.7	151.2	5.7	177.2	6.8	202.0	8.0
	20	89.1	3.3	108.3	4.1	126.4	4.8	151.2	5.8	177.2	7.0	202.0	8.2
	25	89.1	3.4	108.3	4.1	126.4	4.9	151.2	6.0	177.2	7.2	202.0	8.4
	30	89.1	3.5	108.3	4.2	126.4	5.0	151.2	6.1	177.2	7.3	202.0	8.5
	35	89.1	3.5	108.3	4.3	126.4	5.1	151.2	6.3	177.2	7.5	202.0	8.8
	40	89.1	3.6	108.3	4.5	126.4	5.3	151.2	6.4	177.2	7.7	202.0	9.0
	45	89.1	3.7	108.3	4.6	126.4	5.4	151.2	6.6	177.2	7.9	202.0	9.2
	50	89.1	3.8	108.3	4.7	126.4	5.5	151.2	6.7	177.2	8.1	202.0	9.4
	55	89.1	3.9	108.3	4.8	126.4	5.7	151.2	6.9	177.2	8.3	202.0	9.7
	60	89.1	4.0	108.3	4.9	126.4	5.8	151.2	7.1	177.2	8.5	202.0	9.9
	65	89.1	4.1	108.3	5.1	126.4	6.0	151.2	7.3	177.2	8.8	202.0	10.2
	70	89.1	4.5	108.3	5.5	126.4	6.5	151.2	7.9	177.2	9.5	202.0	11.1
	75	89.1	4.9	108.3	6.1	126.4	7.2	151.2	8.7	177.2	10.5	202.0	12.2
	80	89.1	5.4	108.3	6.7	126.4	7.9	151.2	9.6	177.2	11.5	202.0	13.4
	85	89.1	5.9	108.3	7.3	126.4	8.6	151.2	10.5	177.2	12.6	202.0	14.7
	90	89.1	6.5	108.3	8.0	126.4	9.4	151.2	11.5	177.2	13.8	202.0	16.1
	95	89.1	7.1	108.3	8.7	126.4	10.3	151.2	12.6	177.2	15.1	202.0	17.6
100	89.1	7.7	108.3	9.5	126.4	11.2	151.2	13.7	177.2	16.4	202.0	19.1	
105	89.1	8.3	108.3	10.3	126.4	12.1	151.2	14.8	177.2	17.7	196.2	20.1	
110	89.1	8.9	108.3	11.0	126.4	13.0	151.2	15.8	176.7	18.9	180.1	19.7	
115	89.1	9.4	108.3	11.6	126.4	13.7	151.2	16.7	156.4	17.7	159.4	18.5	
118	89.1	9.7	108.3	11.9	126.4	14.1	137.6	15.6	141.7	16.5	144.4	17.2	
125	86.4	9.8	90.2	10.4	93.3	10.9	96.9	11.5	99.8	12.1	101.7	12.6	
80%	-10	79.2	2.5	96.3	3.1	112.3	3.7	134.4	4.5	157.5	5.4	179.5	6.3
	-5	79.2	2.7	96.3	3.3	112.3	3.9	134.4	4.8	157.5	5.7	179.5	6.7
	10	79.2	2.8	96.3	3.4	112.3	4.0	134.4	4.9	157.5	5.9	179.5	6.8
	15	79.2	2.8	96.3	3.5	112.3	4.1	134.4	5.0	157.5	6.0	179.5	7.0
	20	79.2	2.9	96.3	3.6	112.3	4.2	134.4	5.1	157.5	6.1	179.5	7.2
	25	79.2	3.0	96.3	3.6	112.3	4.3	134.4	5.2	157.5	6.3	179.5	7.3
	30	79.2	3.0	96.3	3.7	112.3	4.4	134.4	5.4	157.5	6.4	179.5	7.5
	35	79.2	3.1	96.3	3.8	112.3	4.5	134.4	5.5	157.5	6.6	179.5	7.7
	40	79.2	3.2	96.3	3.9	112.3	4.6	134.4	5.6	157.5	6.7	179.5	7.9
	45	79.2	3.3	96.3	4.0	112.3	4.7	134.4	5.8	157.5	6.9	179.5	8.1
	50	79.2	3.3	96.3	4.1	112.3	4.8	134.4	5.9	157.5	7.1	179.5	8.3
	55	79.2	3.4	96.3	4.2	112.3	5.0	134.4	6.1	157.5	7.3	179.5	8.5
	60	79.2	3.5	96.3	4.3	112.3	5.1	134.4	6.2	157.5	7.5	179.5	8.7
	65	79.2	3.6	96.3	4.4	112.3	5.3	134.4	6.4	157.5	7.7	179.5	9.0
	70	79.2	3.9	96.3	4.8	112.3	5.7	134.4	7.0	157.5	8.3	179.5	9.7
	75	79.2	4.3	96.3	5.3	112.3	6.3	134.4	7.6	157.5	9.2	179.5	10.7
	80	79.2	4.7	96.3	5.8	112.3	6.9	134.4	8.4	157.5	10.1	179.5	11.7
	85	79.2	5.2	96.3	6.4	112.3	7.6	134.4	9.2	157.5	11.0	179.5	12.9
	90	79.2	5.7	96.3	7.0	112.3	8.3	134.4	10.1	157.5	12.1	179.5	14.1
	95	79.2	6.2	96.3	7.7	112.3	9.0	134.4	11.0	157.5	13.2	179.5	15.4
100	79.2	6.8	96.3	8.3	112.3	9.8	134.4	12.0	157.5	14.3	179.5	16.8	
105	79.2	7.3	96.3	9.0	112.3	10.6	134.4	12.9	157.5	15.5	179.5	18.1	
110	79.2	7.8	96.3	9.6	112.3	11.4	134.4	13.8	157.5	16.6	179.5	19.4	
115	79.2	8.3	96.3	10.2	112.3	12.0	134.4	14.6	156.4	17.4	159.4	18.2	
118	79.2	8.5	96.3	10.5	112.3	12.3	134.4	15.1	141.7	16.2	144.4	16.9	
125	79.2	8.9	90.2	10.2	93.3	10.7	96.9	11.3	99.8	11.9	101.7	12.4	

NOTE - Power Input = Compressor + Outdoor Fan Motor.  
 MBH = 1000 BTUs per hour.

# COOLING CAPACITY - SINGLE MODULE | VRB168H4

Combination (%)	Outdoor Temperature °F (Dry Bulb)	Indoor Temperature - °F (Dry Bulb / Wet Bulb)											
		67 / 57		71 / 60		75 / 63		80 / 67		85 / 71		90 / 75	
		Total Cap.	Power Input	Total Cap.	Power Input	Total Cap.	Power Input	Total Cap.	Power Input	Total Cap.	Power Input	Total Cap.	Power Input
		MBH	KW	MBH	KW	MBH	KW	MBH	KW	MBH	KW	MBH	KW
70%	-10	69.3	2.2	84.3	2.7	98.3	3.2	117.6	3.9	137.8	4.7	157.1	5.4
	-5	69.3	2.3	84.3	2.9	98.3	3.4	117.6	4.1	137.8	5.0	157.1	5.8
	10	69.3	2.4	84.3	2.9	98.3	3.5	117.6	4.2	137.8	5.1	157.1	5.9
	15	69.3	2.4	84.3	3.0	98.3	3.5	117.6	4.3	137.8	5.2	157.1	6.0
	20	69.3	2.5	84.3	3.1	98.3	3.6	117.6	4.4	137.8	5.3	157.1	6.2
	25	69.3	2.6	84.3	3.1	98.3	3.7	117.6	4.5	137.8	5.4	157.1	6.3
	30	69.3	2.6	84.3	3.2	98.3	3.8	117.6	4.6	137.8	5.5	157.1	6.5
	35	69.3	2.7	84.3	3.3	98.3	3.9	117.6	4.7	137.8	5.7	157.1	6.6
	40	69.3	2.7	84.3	3.4	98.3	4.0	117.6	4.8	137.8	5.8	157.1	6.8
	45	69.3	2.8	84.3	3.5	98.3	4.1	117.6	5.0	137.8	5.9	157.1	6.9
	50	69.3	2.9	84.3	3.5	98.3	4.2	117.6	5.1	137.8	6.1	157.1	7.1
	55	69.3	3.0	84.3	3.6	98.3	4.3	117.6	5.2	137.8	6.3	157.1	7.3
	60	69.3	3.0	84.3	3.7	98.3	4.4	117.6	5.4	137.8	6.4	157.1	7.5
	65	69.3	3.1	84.3	3.8	98.3	4.5	117.6	5.5	137.8	6.6	157.1	7.7
	70	69.3	3.4	84.3	4.2	98.3	4.9	117.6	6.0	137.8	7.2	157.1	8.4
	75	69.3	3.7	84.3	4.6	98.3	5.4	117.6	6.6	137.8	7.9	157.1	9.2
	80	69.3	4.1	84.3	5.0	98.3	5.9	117.6	7.2	137.8	8.7	157.1	10.1
	85	69.3	4.5	84.3	5.5	98.3	6.5	117.6	7.9	137.8	9.5	157.1	11.1
	90	69.3	4.9	84.3	6.0	98.3	7.1	117.6	8.7	137.8	10.4	157.1	12.2
	95	69.3	5.4	84.3	6.6	98.3	7.8	117.6	9.5	137.8	11.4	157.1	13.3
100	69.3	5.8	84.3	7.2	98.3	8.5	117.6	10.3	137.8	12.4	157.1	14.4	
105	69.3	6.3	84.3	7.7	98.3	9.1	117.6	11.2	137.8	13.4	157.1	15.6	
110	69.3	6.7	84.3	8.3	98.3	9.8	117.6	11.9	137.8	14.3	157.1	16.7	
115	69.3	7.1	84.3	8.8	98.3	10.4	117.6	12.6	137.8	15.1	157.1	17.7	
118	69.3	7.3	84.3	9.0	98.3	10.7	117.6	13.0	137.8	15.6	144.4	16.7	
125	69.3	7.7	84.3	9.4	93.3	10.6	96.9	11.2	99.8	11.8	101.7	12.3	
60%	-10	59.4	1.9	72.2	2.3	84.3	2.7	100.8	3.3	118.1	3.9	134.7	4.6
	-5	59.4	2.0	72.2	2.4	84.3	2.9	100.8	3.5	118.1	4.2	134.7	4.9
	10	59.4	2.0	72.2	2.5	84.3	2.9	100.8	3.6	118.1	4.3	134.7	5.0
	15	59.4	2.1	72.2	2.5	84.3	3.0	100.8	3.6	118.1	4.4	134.7	5.1
	20	59.4	2.1	72.2	2.6	84.3	3.1	100.8	3.7	118.1	4.5	134.7	5.2
	25	59.4	2.2	72.2	2.6	84.3	3.1	100.8	3.8	118.1	4.6	134.7	5.3
	30	59.4	2.2	72.2	2.7	84.3	3.2	100.8	3.9	118.1	4.7	134.7	5.5
	35	59.4	2.3	72.2	2.8	84.3	3.3	100.8	4.0	118.1	4.8	134.7	5.6
	40	59.4	2.3	72.2	2.8	84.3	3.4	100.8	4.1	118.1	4.9	134.7	5.7
	45	59.4	2.4	72.2	2.9	84.3	3.4	100.8	4.2	118.1	5.0	134.7	5.9
	50	59.4	2.4	72.2	3.0	84.3	3.5	100.8	4.3	118.1	5.2	134.7	6.0
	55	59.4	2.5	72.2	3.1	84.3	3.6	100.8	4.4	118.1	5.3	134.7	6.2
	60	59.4	2.6	72.2	3.2	84.3	3.7	100.8	4.5	118.1	5.4	134.7	6.3
	65	59.4	2.6	72.2	3.2	84.3	3.8	100.8	4.7	118.1	5.6	134.7	6.5
	70	59.4	2.9	72.2	3.5	84.3	4.2	100.8	5.1	118.1	6.1	134.7	7.1
	75	59.4	3.1	72.2	3.9	84.3	4.6	100.8	5.6	118.1	6.7	134.7	7.8
	80	59.4	3.5	72.2	4.2	84.3	5.0	100.8	6.1	118.1	7.3	134.7	8.6
	85	59.4	3.8	72.2	4.7	84.3	5.5	100.8	6.7	118.1	8.0	134.7	9.4
	90	59.4	4.2	72.2	5.1	84.3	6.0	100.8	7.4	118.1	8.8	134.7	10.3
	95	59.4	4.5	72.2	5.6	84.3	6.6	100.8	8.0	118.1	9.6	134.7	11.2
100	59.4	4.9	72.2	6.1	84.3	7.2	100.8	8.7	118.1	10.5	134.7	12.2	
105	59.4	5.3	72.2	6.5	84.3	7.7	100.8	9.4	118.1	11.3	134.7	13.2	
110	59.4	5.7	72.2	7.0	84.3	8.3	100.8	10.1	118.1	12.1	134.7	14.1	
115	59.4	6.0	72.2	7.4	84.3	8.8	100.8	10.7	118.1	12.8	134.7	14.9	
118	59.4	6.2	72.2	7.6	84.3	9.0	100.8	11.0	118.1	13.1	134.7	15.3	
125	59.4	6.5	72.2	8.0	84.3	9.4	96.9	11.0	99.8	11.6	101.7	12.1	

NOTE - Power Input = Compressor + Outdoor Fan Motor.  
 MBH = 1000 BTUs per hour.

## COOLING CAPACITY - SINGLE MODULE | VRB168H4

Combination (%)	Outdoor Temperature °F (Dry Bulb)	Indoor Temperature - °F (Dry Bulb / Wet Bulb)											
		67 / 57		71 / 60		75 / 63		80 / 67		85 / 71		90 / 75	
		Total Cap.	Power Input	Total Cap.	Power Input	Total Cap.	Power Input	Total Cap.	Power Input	Total Cap.	Power Input	Total Cap.	Power Input
		MBH	kW	MBH	kW	MBH	kW	MBH	kW	MBH	kW	MBH	kW
50%	-10	47.7	1.5	60.2	1.9	70.2	2.2	84.0	2.7	98.4	3.2	112.2	3.8
	-5	49.5	1.6	60.2	2.0	70.2	2.4	84.0	2.9	98.4	3.4	112.2	4.0
	10	49.5	1.7	60.2	2.0	70.2	2.4	84.0	2.9	98.4	3.5	112.2	4.1
	15	49.5	1.7	60.2	2.1	70.2	2.5	84.0	3.0	98.4	3.6	112.2	4.2
	20	49.5	1.7	60.2	2.1	70.2	2.5	84.0	3.1	98.4	3.7	112.2	4.3
	25	49.5	1.8	60.2	2.2	70.2	2.6	84.0	3.1	98.4	3.8	112.2	4.4
	30	49.5	1.8	60.2	2.2	70.2	2.6	84.0	3.2	98.4	3.8	112.2	4.5
	35	49.5	1.9	60.2	2.3	70.2	2.7	84.0	3.3	98.4	3.9	112.2	4.6
	40	49.5	1.9	60.2	2.3	70.2	2.8	84.0	3.4	98.4	4.0	112.2	4.7
	45	49.5	1.9	60.2	2.4	70.2	2.8	84.0	3.4	98.4	4.1	112.2	4.8
	50	49.5	2.0	60.2	2.5	70.2	2.9	84.0	3.5	98.4	4.2	112.2	4.9
	55	49.5	2.1	60.2	2.5	70.2	3.0	84.0	3.6	98.4	4.3	112.2	5.1
	60	49.5	2.1	60.2	2.6	70.2	3.1	84.0	3.7	98.4	4.5	112.2	5.2
	65	49.5	2.2	60.2	2.7	70.2	3.1	84.0	3.8	98.4	4.6	112.2	5.4
	70	49.5	2.4	60.2	2.9	70.2	3.4	84.0	4.2	98.4	5.0	112.2	5.8
	75	49.5	2.6	60.2	3.2	70.2	3.8	84.0	4.6	98.4	5.5	112.2	6.4
	80	49.5	2.8	60.2	3.5	70.2	4.1	84.0	5.0	98.4	6.0	112.2	7.0
	85	49.5	3.1	60.2	3.8	70.2	4.5	84.0	5.5	98.4	6.6	112.2	7.7
90	49.5	3.4	60.2	4.2	70.2	5.0	84.0	6.0	98.4	7.2	112.2	8.4	
95	49.5	3.7	60.2	4.6	70.2	5.4	84.0	6.6	98.4	7.9	112.2	9.2	
100	49.5	4.1	60.2	5.0	70.2	5.9	84.0	7.2	98.4	8.6	112.2	10.0	
105	49.5	4.4	60.2	5.4	70.2	6.4	84.0	7.7	98.4	9.3	112.2	10.8	
110	49.5	4.7	60.2	5.8	70.2	6.8	84.0	8.3	98.4	9.9	112.2	11.6	
115	49.5	5.0	60.2	6.1	70.2	7.2	84.0	8.8	98.4	10.5	112.2	12.3	
118	49.5	5.1	60.2	6.3	70.2	7.4	84.0	9.0	98.4	10.8	112.2	12.6	
125	49.5	5.3	60.2	6.5	70.2	7.7	84.0	9.4	98.4	11.3	101.7	11.9	

NOTE - Power Input = Compressor + Outdoor Fan Motor.  
 MBH = 1000 BTUs per hour.

# HEATING CAPACITY - SINGLE MODULE | VRB168H4

Combination (%)	Outdoor Temperature (°F)		Indoor Temperature - °F Dry Bulb											
			61		64		67		70		73		75	
			Total Cap.	Power Input	Total Cap.	Power Input	Total Cap.	Power Input	Total Cap.	Power Input	Total Cap.	Power Input	Total Cap.	Power Input
Dry Bulb	Wet Bulb	MBH	kW	MBH	kW	MBH	kW	MBH	kW	MBH	kW	MBH	kW	
130%	-13	-14	102.8	11.7	102.5	12.0	102.3	12.4	102.0	12.7	101.7	13.1	101.6	13.4
	-8	-9	107.0	12.2	106.7	12.5	106.5	12.9	106.2	13.2	105.9	13.6	105.7	13.9
	-3	-4	113.6	12.9	113.3	13.2	113.0	13.6	112.7	14.0	112.4	14.4	112.2	14.7
	2	1	121.8	13.6	121.5	14.0	121.2	14.4	120.9	14.8	120.6	15.2	120.4	15.5
	7	6	131.2	14.4	130.9	14.8	130.5	15.2	130.2	15.6	129.9	16.0	129.7	16.3
	12	10	141.2	15.2	140.8	15.5	140.5	15.9	140.1	16.4	139.8	16.8	139.5	17.1
	17	15	151.4	15.8	151.0	16.2	150.6	16.6	150.2	17.0	149.8	17.5	149.6	17.8
	22	20	161.3	16.3	160.9	16.7	160.5	17.0	160.1	17.5	159.7	17.9	159.4	18.2
	27	24	170.8	16.6	170.3	17.0	169.9	17.3	169.5	17.7	169.1	18.2	168.8	18.5
	32	29	179.4	16.7	179.0	17.1	178.6	17.4	178.1	17.8	177.7	18.1	177.3	17.8
	37	34	187.1	16.7	186.6	17.0	186.2	17.3	185.8	17.4	185.4	17.0	185.1	16.7
	42	38	193.7	16.5	193.3	16.8	193.0	16.6	192.6	16.2	192.2	15.9	191.8	15.8
	47	43	205.6	16.4	205.2	16.2	204.8	16.0	204.4	15.7	204.1	15.5	203.7	15.3
	52	47	226.2	16.5	225.8	16.3	225.4	16.1	225.1	15.9	224.7	15.7	219.0	15.2
	57	52	246.2	16.5	245.8	16.3	245.4	16.2	244.4	16.0	229.0	14.9	219.0	14.1
	62	56	265.4	16.4	265.0	16.3	259.8	15.9	244.4	14.9	229.0	13.9	219.0	13.2
	67	61	283.8	16.3	274.4	15.7	259.8	14.8	244.4	13.9	229.0	13.0	219.0	12.4
	72	66	289.8	15.6	274.4	14.7	259.8	13.9	244.4	13.0	229.0	12.2	219.0	11.7
	75	69	289.8	15.0	274.4	14.2	259.8	13.4	244.4	12.6	229.0	11.8	219.0	11.3
	80	74	289.8	14.1	274.4	13.3	259.8	12.6	244.4	11.9	229.0	11.1	219.0	10.7
120%	-13	-14	102.4	11.5	102.1	11.8	101.9	12.1	101.6	12.5	101.3	12.8	101.2	13.1
	-8	-9	106.6	12.0	106.3	12.3	106.1	12.6	105.8	13.0	105.5	13.4	105.3	13.6
	-3	-4	113.1	12.6	112.8	13.0	112.6	13.3	112.3	13.7	112.0	14.1	111.8	14.4
	2	1	121.3	13.4	121.0	13.7	120.7	14.1	120.4	14.5	120.1	14.9	119.9	15.2
	7	6	130.7	14.1	130.3	14.5	130.0	14.9	129.7	15.3	129.4	15.7	129.1	16.0
	12	10	140.6	14.9	140.3	15.2	139.9	15.6	139.6	16.0	139.2	16.5	139.0	16.8
	17	15	150.8	15.5	150.4	15.9	150.0	16.2	149.6	16.7	149.3	17.1	149.0	17.4
	22	20	160.7	16.0	160.3	16.3	159.9	16.7	159.5	17.1	159.1	17.6	158.8	17.9
	27	24	170.1	16.3	169.7	16.6	169.3	17.0	168.8	17.4	168.4	17.8	168.1	18.1
	32	29	178.7	16.4	178.3	16.7	177.8	17.1	177.4	17.5	177.0	17.8	176.6	17.4
	37	34	186.4	16.3	185.9	16.7	185.5	17.0	185.1	17.0	184.7	16.6	184.3	16.4
	42	38	192.9	16.1	192.6	16.5	192.2	16.2	191.8	15.9	191.4	15.6	191.1	15.4
	47	43	205.6	16.2	205.2	15.9	204.8	15.7	204.4	15.5	204.1	15.3	202.1	15.0
	52	47	226.2	16.2	225.8	16.0	225.4	15.9	225.1	15.7	211.3	14.6	202.1	13.8
	57	52	246.2	16.2	245.8	16.1	239.9	15.6	225.6	14.5	211.3	13.5	202.1	12.9
	62	56	265.4	16.2	253.3	15.3	239.9	14.4	225.6	13.5	211.3	12.6	202.1	12.0
	67	61	267.5	15.1	253.3	14.3	239.9	13.5	225.6	12.6	211.3	11.8	202.1	11.3
	72	66	267.5	14.1	253.3	13.4	239.9	12.6	225.6	11.9	211.3	11.1	202.1	10.6
	75	69	267.5	13.6	253.3	12.9	239.9	12.2	225.6	11.4	211.3	10.7	202.1	10.2
	80	74	267.5	12.8	253.3	12.1	239.9	11.5	225.6	10.8	211.3	10.1	202.1	9.7
110%	-13	-14	102.0	11.3	101.7	11.6	101.4	11.9	101.2	12.2	100.9	12.6	100.8	12.8
	-8	-9	106.2	11.7	105.9	12.1	105.6	12.4	105.4	12.7	105.1	13.1	104.9	13.4
	-3	-4	112.7	12.4	112.4	12.7	112.1	13.0	111.8	13.4	111.5	13.8	111.3	14.1
	2	1	120.9	13.1	120.5	13.5	120.3	13.8	119.9	14.2	119.6	14.6	119.4	14.9
	7	6	130.2	13.9	129.8	14.2	129.5	14.6	129.2	15.0	128.9	15.4	128.6	15.7
	12	10	140.1	14.6	139.7	15.0	139.4	15.3	139.0	15.7	138.7	16.2	138.4	16.5
	17	15	150.2	15.2	149.8	15.6	149.4	15.9	149.0	16.3	148.7	16.8	148.4	17.1
	22	20	160.1	15.7	159.7	16.0	159.3	16.4	158.9	16.8	158.5	17.2	158.2	17.5
	27	24	169.4	16.0	169.0	16.3	168.6	16.7	168.2	17.1	167.7	17.5	167.7	17.8
	32	29	178.0	16.1	177.6	16.4	177.1	16.8	176.7	17.2	176.3	17.4	175.9	17.1
	37	34	185.6	16.0	185.2	16.4	184.7	16.7	184.4	16.7	184.0	16.3	183.6	16.1
	42	38	192.2	15.8	191.8	16.1	191.4	15.9	191.1	15.6	190.7	15.3	185.3	14.7
	47	43	205.6	15.9	205.2	15.7	204.8	15.5	204.4	15.2	193.7	14.3	185.3	13.5
	52	47	226.2	16.0	225.8	15.8	219.9	15.2	206.8	14.2	193.7	13.1	185.3	12.5
	57	52	245.2	15.9	232.2	14.9	219.9	14.0	206.8	13.1	193.7	12.2	185.3	11.6
	62	56	245.2	14.7	232.2	13.8	219.9	13.0	206.8	12.2	193.7	11.4	185.3	10.8
	67	61	245.2	13.7	232.2	12.9	219.9	12.2	206.8	11.4	193.7	10.6	185.3	10.2
	72	66	245.2	12.8	232.2	12.1	219.9	11.4	206.8	10.7	193.7	10.0	185.3	9.6
	75	69	245.2	12.3	232.2	11.6	219.9	11.0	206.8	10.3	193.7	9.7	185.3	9.2
	80	74	245.2	11.5	232.2	10.9	219.9	10.4	206.8	9.8	193.7	9.1	185.3	8.7

NOTE - Power Input = Compressor + Outdoor Fan Motor.  
 MBH = 1000 BTUs per hour.

# HEATING CAPACITY - SINGLE MODULE | VRB168H4

Combination (%)	Outdoor Temperature (°F)		Indoor Temperature - °F Dry Bulb											
			61		64		67		70		73		75	
	Dry Bulb	Wet Bulb	Total Cap. MBH	Power Input kW	Total Cap. MBH	Power Input kW	Total Cap. MBH	Power Input kW	Total Cap. MBH	Power Input kW	Total Cap. MBH	Power Input kW	Total Cap. MBH	Power Input kW
100%	-13	-14	101.5	11.1	101.3	11.4	101.0	11.7	100.8	12.0	100.5	12.4	100.4	12.6
	-8	-9	105.7	11.5	105.5	11.8	105.2	12.1	104.9	12.5	104.7	12.9	104.5	13.1
	-3	-4	112.2	12.1	111.9	12.5	111.7	12.8	111.4	13.2	111.1	13.6	110.9	13.8
	2	1	120.4	12.9	120.1	13.2	119.8	13.6	119.5	13.9	119.2	14.3	119.0	14.6
	7	6	129.6	13.6	129.3	14.0	129.0	14.3	128.7	14.7	128.3	15.1	128.1	15.4
	12	10	139.5	14.3	139.2	14.7	138.8	15.0	138.5	15.4	138.1	15.9	137.9	16.2
	17	15	149.6	14.9	149.2	15.3	148.8	15.6	148.5	16.0	148.1	16.5	147.8	16.8
	22	20	159.4	15.4	159.0	15.7	158.6	16.1	158.2	16.5	157.8	16.9	157.6	17.2
	27	24	168.8	15.7	168.3	16.0	167.9	16.4	167.5	16.7	167.1	17.2	166.8	17.4
	32	29	177.3	15.8	176.9	16.1	176.4	16.5	176.0	16.8	175.5	17.1	168.4	16.1
	37	34	184.9	15.7	184.4	16.1	184.0	16.4	183.5	16.4	176.1	15.4	168.4	14.5
	42	38	191.4	15.5	190.9	15.8	190.5	15.6	188.0	15.1	176.1	14.0	168.4	13.2
	47	43	196.8	15.0	196.3	14.8	195.8	14.6	188.0	13.8	176.1	12.8	168.4	12.1
	52	47	201.0	14.0	200.5	13.8	199.9	13.6	188.0	12.7	176.1	11.8	168.4	11.2
	57	52	204.1	13.0	203.5	12.9	199.9	12.6	188.0	11.7	176.1	10.9	168.4	10.4
	62	56	206.2	12.2	205.7	12.1	199.9	11.7	188.0	10.9	176.1	10.2	168.4	9.7
	67	61	207.5	11.4	207.0	11.3	199.9	10.9	188.0	10.2	176.1	9.5	168.4	9.1
	72	66	208.3	10.7	207.8	10.6	199.9	10.2	188.0	9.6	176.1	9.0	168.4	8.6
75	69	208.6	10.3	208.1	10.3	199.9	9.8	188.0	9.2	176.1	8.7	168.4	8.3	
80	74	209.2	9.7	208.6	9.7	199.9	9.3	188.0	8.7	176.1	8.2	168.4	7.8	
90%	-13	-14	101.1	10.9	100.9	11.1	100.6	11.4	100.4	11.8	100.1	12.1	100.0	12.4
	-8	-9	105.3	11.3	105.0	11.6	104.8	11.9	104.5	12.3	104.3	12.6	104.1	12.9
	-3	-4	111.8	11.9	111.5	12.2	111.2	12.6	110.9	12.9	110.6	13.3	110.5	13.6
	2	1	119.9	12.6	119.6	13.0	119.3	13.3	119.0	13.7	118.7	14.1	118.5	14.4
	7	6	129.1	13.4	128.8	13.7	128.5	14.1	128.2	14.4	127.8	14.9	127.6	15.1
	12	10	139.0	14.0	138.6	14.4	138.3	14.8	137.9	15.1	137.6	15.6	137.3	15.9
	17	15	149.0	14.6	148.6	15.0	148.2	15.3	147.9	15.7	147.5	16.2	147.2	16.4
	22	20	158.8	15.1	158.4	15.4	158.0	15.8	157.6	16.2	157.2	16.5	149.9	16.1
	27	24	168.1	15.4	167.7	15.7	167.2	16.1	166.8	16.4	155.7	15.8	150.1	15.5
	32	29	176.6	15.5	176.2	15.8	175.7	16.1	164.6	15.5	158.0	15.1	151.6	14.3
	37	34	184.2	15.4	183.7	15.8	172.8	15.1	165.2	14.5	158.5	13.6	151.6	12.9
	42	38	190.7	15.2	179.2	14.6	171.4	13.8	169.2	13.4	158.5	12.4	151.6	11.7
	47	43	185.4	14.0	176.6	13.1	176.2	12.9	169.2	12.2	158.5	11.3	151.6	10.7
	52	47	180.9	12.4	180.4	12.2	179.9	12.1	169.2	11.3	158.5	10.4	151.6	9.9
	57	52	183.7	11.6	183.2	11.4	179.9	11.2	169.2	10.4	158.5	9.7	151.6	9.2
	62	56	185.6	10.8	185.1	10.7	179.9	10.4	169.2	9.7	158.5	9.0	151.6	8.6
	67	61	186.8	10.1	186.3	10.0	179.9	9.7	169.2	9.1	158.5	8.5	151.6	8.1
	72	66	187.5	9.5	187.0	9.4	179.9	9.1	169.2	8.5	158.5	7.9	151.6	7.6
75	69	187.8	9.1	187.3	9.1	179.9	8.7	169.2	8.2	158.5	7.7	151.6	7.3	
80	74	188.3	8.6	187.8	8.6	179.9	8.2	169.2	7.7	158.5	7.3	151.6	6.9	
80%	-13	-14	100.7	10.7	100.5	10.9	100.2	11.2	100.0	11.6	99.7	11.9	99.6	12.1
	-8	-9	104.9	11.1	104.6	11.4	104.4	11.7	104.1	12.0	103.8	12.4	103.7	12.6
	-3	-4	111.3	11.7	111.0	12.0	110.8	12.3	110.5	12.7	110.2	13.1	110.0	13.3
	2	1	119.4	12.4	119.1	12.7	118.8	13.1	118.5	13.4	118.2	13.8	118.0	14.1
	7	6	128.6	13.1	128.3	13.5	128.0	13.8	127.6	14.2	127.3	14.6	127.1	14.9
	12	10	138.4	13.8	138.1	14.1	137.7	14.5	137.4	14.9	137.0	15.3	134.2	15.3
	17	15	148.4	14.4	148.0	14.7	147.6	15.1	147.3	15.4	140.6	15.2	134.7	14.8
	22	20	158.1	14.8	157.7	15.1	157.4	15.5	149.6	15.1	140.3	14.6	134.7	14.3
	27	24	167.4	15.1	167.0	15.4	158.0	14.9	148.2	14.4	138.4	13.8	134.7	13.7
	32	29	175.6	15.2	165.1	14.6	155.4	14.1	145.0	13.5	140.4	13.3	134.7	12.5
	37	34	171.9	14.2	161.0	13.6	150.9	13.0	146.8	12.7	140.9	11.9	134.7	11.3
	42	38	166.3	13.1	155.1	12.5	152.4	12.1	150.4	11.8	140.9	10.8	134.7	10.3
	47	43	159.1	11.8	157.0	11.5	156.6	11.3	150.4	10.7	140.9	9.9	134.7	9.4
	52	47	160.8	10.9	160.4	10.7	159.9	10.6	150.4	9.9	140.9	9.1	134.7	8.7
	57	52	163.2	10.1	162.8	10.0	159.9	9.8	150.4	9.1	140.9	8.5	134.7	8.1
	62	56	164.9	9.5	164.5	9.4	159.9	9.1	150.4	8.5	140.9	7.9	134.7	7.5
	67	61	166.0	8.8	165.6	8.8	159.9	8.5	150.4	7.9	140.9	7.4	134.7	7.1
	72	66	166.6	8.3	166.2	8.3	159.9	7.9	150.4	7.4	140.9	7.0	134.7	6.7
75	69	166.9	8.0	166.5	8.0	159.9	7.6	150.4	7.2	140.9	6.7	134.7	6.4	
80	74	167.3	7.5	166.9	7.5	159.9	7.2	150.4	6.8	140.9	6.4	134.7	6.1	

NOTE - Power Input = Compressor + Outdoor Fan Motor.  
 MBH = 1000 BTUs per hour.

# HEATING CAPACITY - SINGLE MODULE | VRB168H4

Combination (%)	Outdoor Temperature (°F)		Indoor Temperature - °F Dry Bulb											
			61		64		67		70		73		75	
	Dry Bulb	Wet Bulb	Total Cap. MBH	Power Input kW	Total Cap. MBH	Power Input kW	Total Cap. MBH	Power Input kW	Total Cap. MBH	Power Input kW	Total Cap. MBH	Power Input kW	Total Cap. MBH	Power Input kW
70%	-13	-14	100.3	10.5	100.1	10.7	99.8	11.0	99.6	11.3	99.3	11.7	99.2	11.9
	-8	-9	104.5	10.9	104.2	11.2	103.9	11.5	103.7	11.8	103.4	12.2	103.2	12.4
	-3	-4	110.9	11.5	110.6	11.8	110.3	12.1	110.0	12.5	109.8	12.8	109.6	13.1
	2	1	118.9	12.2	118.6	12.5	118.3	12.8	118.0	13.2	117.7	13.6	117.5	13.8
	7	6	128.1	12.9	127.8	13.2	127.5	13.5	127.1	13.9	123.3	13.9	117.9	13.6
	12	10	137.8	13.5	137.5	13.9	137.2	14.2	131.6	14.0	123.3	13.6	117.9	13.2
	17	15	147.8	14.1	147.4	14.4	139.9	14.1	131.6	13.6	123.3	13.1	117.9	12.8
	22	20	155.8	14.4	147.7	14.0	139.9	13.6	131.6	13.1	123.3	12.6	117.9	12.3
	27	24	154.7	13.7	146.1	13.3	139.9	13.0	131.6	12.6	123.3	12.1	117.9	11.8
	32	29	151.8	12.9	142.8	12.5	139.9	12.5	131.6	12.0	123.3	11.5	117.9	10.8
	37	34	147.1	12.0	137.7	11.5	139.9	11.9	131.6	11.2	123.3	10.3	117.9	9.7
	42	38	140.7	10.9	133.6	10.6	139.9	11.0	131.6	10.1	123.3	9.3	117.9	8.8
	47	43	137.7	10.1	137.4	9.9	139.9	10.0	131.6	9.3	123.3	8.6	117.9	8.1
	52	47	140.7	9.4	140.3	9.2	139.9	9.1	131.6	8.5	123.3	7.9	117.9	7.5
	57	52	142.8	8.7	142.5	8.6	139.9	8.4	131.6	7.9	123.3	7.3	117.9	7.0
	62	56	144.3	8.2	144.0	8.1	139.9	7.8	131.6	7.3	123.3	6.8	117.9	6.5
	67	61	145.3	7.6	144.9	7.6	139.9	7.3	131.6	6.8	123.3	6.4	117.9	6.1
	72	66	145.8	7.2	145.4	7.1	139.9	6.8	131.6	6.4	123.3	6.0	117.9	5.7
	75	69	146.0	6.9	145.7	6.9	139.9	6.6	131.6	6.2	123.3	5.8	117.9	5.5
	80	74	146.4	6.5	146.1	6.5	139.9	6.2	131.6	5.8	123.3	5.5	117.9	5.2
60%	-13	-14	99.9	10.3	99.7	10.5	99.4	10.8	99.2	11.1	98.9	11.5	98.8	11.7
	-8	-9	104.0	10.7	103.8	11.0	103.5	11.3	103.3	11.6	103.0	11.9	101.1	12.0
	-3	-4	110.4	11.3	110.1	11.6	109.9	11.9	109.6	12.2	105.7	12.2	101.1	11.9
	2	1	118.4	11.9	118.1	12.3	117.9	12.6	112.8	12.4	105.7	12.0	101.1	11.7
	7	6	127.6	12.6	126.6	12.9	119.9	12.6	112.8	12.2	105.7	11.8	101.1	11.5
	12	10	133.8	12.9	126.6	12.6	119.9	12.2	112.8	11.9	105.7	11.5	101.1	11.2
	17	15	133.8	12.6	126.6	12.2	119.9	11.9	112.8	11.5	105.7	11.1	101.1	10.8
	22	20	133.8	12.2	126.6	11.8	119.9	11.5	112.8	11.1	105.7	10.7	101.1	10.4
	27	24	133.8	11.7	126.6	11.4	119.9	11.0	112.8	10.6	105.7	10.2	101.1	10.0
	32	29	133.8	11.2	126.6	10.9	119.9	10.6	112.8	10.2	105.7	9.7	101.1	9.1
	37	34	133.8	10.7	126.6	10.4	119.9	10.1	112.8	9.5	105.7	8.7	101.1	8.2
	42	38	133.8	10.2	126.6	9.9	119.9	9.3	112.8	8.6	105.7	7.9	101.1	7.5
	47	43	133.8	9.6	126.6	9.0	119.9	8.4	112.8	7.8	105.7	7.2	101.1	6.9
	52	47	133.8	8.8	126.6	8.2	119.9	7.7	112.8	7.2	105.7	6.7	101.1	6.3
	57	52	133.8	8.1	126.6	7.6	119.9	7.1	112.8	6.6	105.7	6.2	101.1	5.9
	62	56	133.8	7.4	126.6	7.0	119.9	6.6	112.8	6.2	105.7	5.8	101.1	5.5
	67	61	133.8	6.9	126.6	6.5	119.9	6.2	112.8	5.8	105.7	5.4	101.1	5.1
	72	66	133.8	6.5	126.6	6.1	119.9	5.8	112.8	5.4	105.7	5.1	101.1	4.8
	75	69	133.8	6.2	126.6	5.9	119.9	5.6	112.8	5.2	105.7	4.9	101.1	4.7
	80	74	133.8	5.9	126.6	5.5	119.9	5.3	112.8	4.9	105.7	4.6	101.1	4.4
50%	-13	-14	99.5	10.1	99.3	10.4	99.0	10.6	94.0	10.4	88.1	10.1	84.2	9.8
	-8	-9	103.6	10.5	103.4	10.8	99.9	10.7	94.0	10.4	88.1	10.1	84.2	9.8
	-3	-4	110.0	11.1	105.5	10.9	99.9	10.7	94.0	10.3	88.1	10.0	84.2	9.8
	2	1	111.5	11.1	105.5	10.8	99.9	10.5	94.0	10.2	88.1	9.9	84.2	9.6
	7	6	111.5	10.9	105.5	10.6	99.9	10.3	94.0	10.0	88.1	9.7	84.2	9.4
	12	10	111.5	10.6	105.5	10.3	99.9	10.1	94.0	9.7	88.1	9.4	84.2	9.2
	17	15	111.5	10.3	105.5	10.0	99.9	9.8	94.0	9.4	88.1	9.1	84.2	8.9
	22	20	111.5	10.0	105.5	9.7	99.9	9.4	94.0	9.1	88.1	8.8	84.2	8.6
	27	24	111.5	9.6	105.5	9.3	99.9	9.1	94.0	8.7	88.1	8.4	84.2	8.2
	32	29	111.5	9.2	105.5	8.9	99.9	8.7	94.0	8.4	88.1	8.0	84.2	7.5
	37	34	111.5	8.8	105.5	8.5	99.9	8.3	94.0	7.8	88.1	7.2	84.2	6.8
	42	38	111.5	8.4	105.5	8.1	99.9	7.6	94.0	7.0	88.1	6.5	84.2	6.1
	47	43	111.5	7.9	105.5	7.4	99.9	6.9	94.0	6.4	88.1	5.9	84.2	5.6
	52	47	111.5	7.2	105.5	6.8	99.9	6.3	94.0	5.9	88.1	5.5	84.2	5.2
	57	52	111.5	6.6	105.5	6.2	99.9	5.9	94.0	5.5	88.1	5.1	84.2	4.8
	62	56	111.5	6.1	105.5	5.8	99.9	5.4	94.0	5.1	88.1	4.7	84.2	4.5
	67	61	111.5	5.7	105.5	5.4	99.9	5.1	94.0	4.7	88.1	4.4	84.2	4.2
	72	66	111.5	5.3	105.5	5.0	99.9	4.7	94.0	4.5	88.1	4.2	84.2	4.0
	75	69	111.5	5.1	105.5	4.8	99.9	4.6	94.0	4.3	88.1	4.0	84.2	3.8
	80	74	111.5	4.8	105.5	4.6	99.9	4.3	94.0	4.1	88.1	3.8	84.2	3.6

NOTE - Power Input = Compressor + Outdoor Fan Motor.  
 MBH = 1000 BTUs per hour.



# COOLING CAPACITY - SINGLE MODULE | VRB192H4

Combination (%)	Outdoor Temperature °F (Dry Bulb)	Indoor Temperature - °F (Dry Bulb / Wet Bulb)											
		67 / 57		71 / 60		75 / 63		80 / 67		85 / 71		90 / 75	
		Total Cap.	Power Input	Total Cap.	Power Input	Total Cap.	Power Input	Total Cap.	Power Input	Total Cap.	Power Input	Total Cap.	Power Input
		MBH	kW	MBH	kW	MBH	kW	MBH	kW	MBH	kW	MBH	kW
130%	-10	147.2	5.3	178.8	6.5	208.6	7.6	249.6	9.3	292.4	11.2	321.5	12.6
	-5	147.2	5.6	178.8	6.9	208.6	8.1	249.6	9.9	292.4	11.9	304.6	12.7
	10	147.2	5.7	178.8	7.0	208.6	8.3	249.6	10.1	292.4	12.1	298.7	12.7
	15	147.2	5.8	178.8	7.2	208.6	8.5	249.6	10.3	288.3	12.2	292.1	12.7
	20	147.2	6.0	178.8	7.3	208.6	8.7	249.6	10.6	281.6	12.2	285.5	12.7
	25	147.2	6.1	178.8	7.5	208.6	8.9	249.6	10.8	274.7	12.2	278.6	12.6
	30	147.2	6.3	178.8	7.7	208.6	9.1	249.6	11.1	268.1	12.1	271.9	12.6
	35	147.2	6.4	178.8	7.9	208.6	9.3	249.6	11.3	261.8	12.1	265.6	12.6
	40	147.2	6.6	178.8	8.1	208.6	9.5	249.6	11.6	257.8	12.3	261.6	12.7
	45	147.2	6.7	178.8	8.3	208.6	9.8	249.6	11.9	256.1	12.5	260.0	13.0
	50	147.2	6.9	178.8	8.5	208.6	10.0	249.6	12.2	254.9	12.7	258.7	13.2
	55	147.2	7.1	178.8	8.7	208.6	10.3	249.6	12.5	253.9	13.0	257.7	13.5
	60	147.2	7.3	178.8	8.9	208.6	10.6	249.6	12.9	254.3	13.4	256.9	13.9
	65	147.2	7.5	178.8	9.2	208.6	10.8	249.6	13.2	251.3	13.6	256.1	14.2
	70	147.2	8.1	178.8	10.0	208.6	11.8	249.6	14.4	250.3	14.7	255.1	15.4
	75	147.2	8.9	178.8	11.0	208.6	13.0	244.9	15.5	248.7	16.1	253.5	16.8
	80	147.2	9.8	178.8	12.0	208.6	14.2	242.4	16.8	246.2	17.5	251.0	18.2
	85	147.2	10.8	178.8	13.2	208.6	15.6	238.7	18.2	242.5	18.9	247.1	19.7
	90	147.2	11.8	178.8	14.5	208.6	17.1	233.2	19.5	237.0	20.2	241.5	21.1
	95	147.2	12.9	178.8	15.8	208.6	18.7	212.7	19.4	216.6	20.2	220.4	21.0
100	147.2	14.0	178.8	17.2	198.6	19.3	202.4	20.1	206.3	20.9	210.2	21.8	
105	147.2	15.1	178.8	18.6	183.6	19.3	187.5	20.1	193.0	21.1	196.7	22.0	
110	147.2	16.2	160.6	17.8	164.5	18.5	170.8	19.6	175.9	20.6	179.3	21.5	
115	135.5	15.7	139.3	16.4	144.2	17.1	149.7	18.1	154.2	19.1	157.1	19.9	
118	119.8	14.3	125.1	15.1	129.4	15.8	134.4	16.7	138.4	17.6	141.1	18.4	
125	81.3	10.1	84.9	10.7	87.8	11.2	91.2	11.9	93.9	12.5	95.7	13.0	
120%	-10	135.8	4.8	165.1	5.9	192.6	6.9	230.4	8.5	269.9	10.1	307.8	11.8
	-5	135.8	5.1	165.1	6.3	192.6	7.4	230.4	9.0	269.9	10.8	299.5	12.2
	10	135.8	5.2	165.1	6.4	192.6	7.5	230.4	9.2	269.9	11.0	293.6	12.3
	15	135.8	5.3	165.1	6.5	192.6	7.7	230.4	9.4	269.9	11.3	287.1	12.3
	20	135.8	5.4	165.1	6.7	192.6	7.9	230.4	9.6	269.9	11.5	280.5	12.2
	25	135.8	5.6	165.1	6.8	192.6	8.1	230.4	9.8	269.9	11.8	273.6	12.2
	30	135.8	5.7	165.1	7.0	192.6	8.2	230.4	10.1	263.2	11.7	267.0	12.2
	35	135.8	5.8	165.1	7.2	192.6	8.4	230.4	10.3	256.9	11.7	260.8	12.2
	40	135.8	6.0	165.1	7.3	192.6	8.7	230.4	10.5	252.8	11.8	256.7	12.3
	45	135.8	6.1	165.1	7.5	192.6	8.9	230.4	10.8	251.2	12.0	255.1	12.5
	50	135.8	6.3	165.1	7.7	192.6	9.1	230.4	11.1	250.0	12.3	253.8	12.8
	55	135.8	6.4	165.1	7.9	192.6	9.3	230.4	11.4	249.0	12.6	252.9	13.1
	60	135.8	6.6	165.1	8.1	192.6	9.6	230.4	11.7	249.2	12.9	252.1	13.4
	65	135.8	6.8	165.1	8.3	192.6	9.9	230.4	12.0	246.6	13.1	251.3	13.7
	70	135.8	7.4	165.1	9.1	192.6	10.7	230.4	13.1	245.6	14.2	250.3	14.9
	75	135.8	8.1	165.1	10.0	192.6	11.8	230.4	14.3	244.0	15.5	248.7	16.2
	80	135.8	8.9	165.1	10.9	192.6	12.9	230.4	15.8	241.6	16.9	246.2	17.6
	85	135.8	9.8	165.1	12.0	192.6	14.2	230.4	17.3	237.9	18.2	242.5	19.1
	90	135.8	10.7	165.1	13.2	192.6	15.5	230.4	18.9	232.5	19.5	237.0	20.4
	95	135.8	11.7	165.1	14.4	192.6	17.0	212.7	19.1	216.6	19.9	220.4	20.7
100	135.8	12.7	165.1	15.6	192.6	18.4	202.4	19.8	206.3	20.6	210.2	21.5	
105	135.8	13.7	165.1	16.9	183.6	19.0	187.5	19.8	193.0	20.8	196.7	21.7	
110	135.8	14.7	160.6	17.6	164.5	18.2	170.8	19.3	175.9	20.3	179.3	21.2	
115	135.8	15.5	139.3	16.1	144.2	16.9	149.7	17.9	154.2	18.8	157.1	19.6	
118	119.8	14.1	125.1	14.9	129.4	15.6	134.4	16.5	138.4	17.4	141.1	18.1	
125	81.3	10.0	84.9	10.5	87.8	11.0	91.2	11.7	93.9	12.3	95.7	12.8	

NOTE - Power Input = Compressor + Outdoor Fan Motor.  
 MBH = 1000 BTUs per hour.



# COOLING CAPACITY - SINGLE MODULE | VRB192H4

Combination (%)	Outdoor Temperature °F (Dry Bulb)	Indoor Temperature - °F (Dry Bulb / Wet Bulb)											
		67 / 57		71 / 60		75 / 63		80 / 67		85 / 71		90 / 75	
		Total Cap.	Power Input	Total Cap.	Power Input	Total Cap.	Power Input	Total Cap.	Power Input	Total Cap.	Power Input	Total Cap.	Power Input
		MBH	KW	MBH	KW	MBH	KW	MBH	KW	MBH	KW	MBH	KW
110%	-10	124.5	4.3	151.3	5.3	176.5	6.3	211.2	7.6	247.5	9.2	282.1	10.7
	-5	124.5	4.6	151.3	5.6	176.5	6.7	211.2	8.1	247.5	9.7	282.1	11.4
	10	124.5	4.7	151.3	5.8	176.5	6.8	211.2	8.3	247.5	9.9	282.1	11.6
	15	124.5	4.8	151.3	5.9	176.5	7.0	211.2	8.5	247.5	10.2	282.0	11.9
	20	124.5	4.9	151.3	6.0	176.5	7.1	211.2	8.7	247.5	10.4	275.5	11.8
	25	124.5	5.0	151.3	6.2	176.5	7.3	211.2	8.9	247.5	10.6	268.6	11.8
	30	124.5	5.1	151.3	6.3	176.5	7.4	211.2	9.1	247.5	10.9	262.1	11.8
	35	124.5	5.3	151.3	6.5	176.5	7.6	211.2	9.3	247.5	11.1	255.9	11.8
	40	124.5	5.4	151.3	6.6	176.5	7.8	211.2	9.5	247.5	11.4	251.7	11.9
	45	124.5	5.5	151.3	6.8	176.5	8.0	211.2	9.8	247.5	11.7	250.2	12.1
	50	124.5	5.7	151.3	7.0	176.5	8.2	211.2	10.0	247.5	12.0	248.9	12.4
	55	124.5	5.8	151.3	7.1	176.5	8.4	211.2	10.3	247.5	12.3	248.0	12.6
	60	124.5	6.0	151.3	7.3	176.5	8.7	211.2	10.6	244.1	12.5	247.2	12.9
	65	124.5	6.1	151.3	7.5	176.5	8.9	211.2	10.8	241.8	12.7	246.5	13.3
	70	124.5	6.7	151.3	8.2	176.5	9.7	211.2	11.8	240.8	13.8	245.5	14.4
	75	124.5	7.3	151.3	9.0	176.5	10.6	211.2	13.0	239.3	15.0	243.9	15.7
	80	124.5	8.0	151.3	9.9	176.5	11.7	211.2	14.2	237.0	16.3	241.5	17.0
	85	124.5	8.8	151.3	10.8	176.5	12.8	211.2	15.6	233.3	17.6	237.8	18.4
	90	124.5	9.7	151.3	11.9	176.5	14.0	211.2	17.1	228.1	18.9	232.4	19.7
	95	124.5	10.6	151.3	13.0	176.5	15.3	211.2	18.7	216.6	19.6	220.4	20.4
100	124.5	11.5	151.3	14.1	176.5	16.7	205.6	19.8	206.3	20.3	210.2	21.2	
105	124.5	12.4	151.3	15.2	176.5	18.0	187.5	19.5	193.0	20.5	196.7	21.4	
110	124.5	13.3	151.3	16.3	164.5	17.9	170.8	19.0	175.9	20.0	179.3	20.8	
115	124.5	14.0	139.3	15.9	144.2	16.6	149.7	17.6	154.2	18.5	157.1	19.3	
118	119.8	13.9	125.1	14.7	129.4	15.3	134.4	16.2	138.4	17.1	141.1	17.8	
125	81.3	9.8	84.9	10.4	87.8	10.9	91.2	11.5	93.9	12.1	95.7	12.6	
100%	-10	113.2	3.9	137.6	4.8	160.5	5.6	192.0	6.8	225.0	8.2	256.5	9.6
	-5	113.2	4.1	137.6	5.1	160.5	6.0	192.0	7.3	225.0	8.7	256.5	10.2
	10	113.2	4.2	137.6	5.2	160.5	6.1	192.0	7.4	225.0	8.9	256.5	10.4
	15	113.2	4.3	137.6	5.3	160.5	6.2	192.0	7.6	225.0	9.1	256.5	10.6
	20	113.2	4.4	137.6	5.4	160.5	6.4	192.0	7.8	225.0	9.3	256.2	10.8
	25	113.2	4.5	137.6	5.5	160.5	6.5	192.0	7.9	225.0	9.5	253.6	11.0
	30	113.2	4.6	137.6	5.6	160.5	6.7	192.0	8.1	225.0	9.7	251.0	11.1
	35	113.2	4.7	137.6	5.8	160.5	6.8	192.0	8.3	225.0	10.0	248.8	11.3
	40	113.2	4.8	137.6	5.9	160.5	7.0	192.0	8.5	225.0	10.2	246.8	11.5
	45	113.2	4.9	137.6	6.1	160.5	7.2	192.0	8.7	225.0	10.5	245.3	11.7
	50	113.2	5.1	137.6	6.2	160.5	7.4	192.0	9.0	225.0	10.7	244.0	11.9
	55	113.2	5.2	137.6	6.4	160.5	7.5	192.0	9.2	225.0	11.0	243.1	12.2
	60	113.2	5.3	137.6	6.6	160.5	7.8	192.0	9.4	225.0	11.3	242.4	12.5
	65	113.2	5.5	137.6	6.7	160.5	8.0	192.0	9.7	225.0	11.6	241.6	12.8
	70	113.2	6.0	137.6	7.3	160.5	8.7	192.0	10.6	225.0	12.7	240.6	13.9
	75	113.2	6.6	137.6	8.1	160.5	9.5	192.0	11.6	225.0	13.9	239.1	15.1
	80	113.2	7.2	137.6	8.8	160.5	10.4	192.0	12.7	225.0	15.3	236.8	16.4
	85	113.2	7.9	137.6	9.7	160.5	11.5	192.0	14.0	225.0	16.7	233.2	17.8
	90	113.2	8.7	137.6	10.6	160.5	12.6	192.0	15.3	223.6	18.2	227.9	19.0
	95	113.2	9.5	137.6	11.6	160.5	13.7	192.0	16.7	216.3	19.3	220.4	20.1
100	113.2	10.3	137.6	12.6	160.5	14.9	192.0	18.2	206.3	20.0	210.2	20.8	
105	113.2	11.1	137.6	13.6	160.5	16.1	187.5	19.2	193.0	20.2	196.7	21.1	
110	113.2	11.9	137.6	14.6	160.5	17.2	170.8	18.7	175.9	19.7	179.3	20.5	
115	113.2	12.6	137.6	15.4	144.2	16.4	149.7	17.3	154.2	18.2	157.1	19.0	
118	113.2	12.9	125.1	14.4	129.4	15.1	134.4	16.0	138.4	16.8	141.1	17.6	
125	81.3	9.7	84.9	10.2	87.8	10.7	91.2	11.3	93.9	11.9	95.7	12.4	

NOTE - Power Input = Compressor + Outdoor Fan Motor.  
MBH = 1000 BTUs per hour.

# COOLING CAPACITY - SINGLE MODULE | VRB192H4

Combination (%)	Outdoor Temperature °F (Dry Bulb)	Indoor Temperature - °F (Dry Bulb / Wet Bulb)											
		67 / 57		71 / 60		75 / 63		80 / 67		85 / 71		90 / 75	
		Total Cap.	Power Input	Total Cap.	Power Input	Total Cap.	Power Input	Total Cap.	Power Input	Total Cap.	Power Input	Total Cap.	Power Input
		MBH	kW	MBH	kW	MBH	kW	MBH	kW	MBH	kW	MBH	kW
90%	-10	101.9	3.4	123.8	4.2	144.4	5.0	172.8	6.1	202.5	7.3	230.8	8.5
	-5	101.9	3.6	123.8	4.5	144.4	5.3	172.8	6.5	202.5	7.7	230.8	9.0
	10	101.9	3.7	123.8	4.6	144.4	5.4	172.8	6.6	202.5	7.9	230.8	9.2
	15	101.9	3.8	123.8	4.7	144.4	5.5	172.8	6.7	202.5	8.1	230.8	9.4
	20	101.9	3.9	123.8	4.8	144.4	5.6	172.8	6.9	202.5	8.2	230.8	9.6
	25	101.9	4.0	123.8	4.9	144.4	5.8	172.8	7.0	202.5	8.4	230.8	9.8
	30	101.9	4.1	123.8	5.0	144.4	5.9	172.8	7.2	202.5	8.6	230.8	10.1
	35	101.9	4.2	123.8	5.1	144.4	6.1	172.8	7.4	202.5	8.8	230.8	10.3
	40	101.9	4.3	123.8	5.3	144.4	6.2	172.8	7.6	202.5	9.1	230.8	10.6
	45	101.9	4.4	123.8	5.4	144.4	6.4	172.8	7.7	202.5	9.3	230.8	10.8
	50	101.9	4.5	123.8	5.5	144.4	6.5	172.8	7.9	202.5	9.5	230.8	11.1
	55	101.9	4.6	123.8	5.7	144.4	6.7	172.8	8.2	202.5	9.8	230.8	11.4
	60	101.9	4.7	123.8	5.8	144.4	6.9	172.8	8.4	202.5	10.0	230.8	11.7
	65	101.9	4.9	123.8	6.0	144.4	7.1	172.8	8.6	202.5	10.3	230.8	12.0
	70	101.9	5.3	123.8	6.5	144.4	7.7	172.8	9.4	202.5	11.2	230.8	13.1
	75	101.9	5.8	123.8	7.1	144.4	8.4	172.8	10.3	202.5	12.3	230.8	14.4
	80	101.9	6.4	123.8	7.8	144.4	9.3	172.8	11.3	202.5	13.5	230.8	15.8
	85	101.9	7.0	123.8	8.6	144.4	10.2	172.8	12.4	202.5	14.8	228.5	17.2
	90	101.9	7.7	123.8	9.4	144.4	11.1	172.8	13.6	202.5	16.3	223.3	18.4
	95	101.9	8.4	123.8	10.3	144.4	12.2	172.8	14.8	202.5	17.8	220.4	19.8
100	101.9	9.1	123.8	11.2	144.4	13.2	172.8	16.1	202.1	19.3	210.2	20.5	
105	101.9	9.8	123.8	12.1	144.4	14.3	172.8	17.4	193.0	19.9	196.7	20.7	
110	101.9	10.5	123.8	12.9	144.4	15.3	170.8	18.4	175.9	19.4	179.3	20.2	
115	101.9	11.1	123.8	13.7	144.2	16.1	149.7	17.1	154.2	18.0	157.1	18.8	
118	101.9	11.5	123.8	14.1	129.4	14.9	134.4	15.8	138.4	16.6	141.1	17.3	
125	81.3	9.5	84.9	10.1	87.8	10.5	91.2	11.2	93.9	11.7	95.7	12.3	
80%	-10	90.6	3.0	110.0	3.7	128.4	4.4	153.6	5.3	180.0	6.4	205.2	7.4
	-5	90.6	3.2	110.0	3.9	128.4	4.6	153.6	5.7	180.0	6.8	205.2	7.9
	10	90.6	3.3	110.0	4.0	128.4	4.7	153.6	5.8	180.0	6.9	205.2	8.1
	15	90.6	3.3	110.0	4.1	128.4	4.8	153.6	5.9	180.0	7.1	205.2	8.3
	20	90.6	3.4	110.0	4.2	128.4	4.9	153.6	6.0	180.0	7.2	205.2	8.4
	25	90.6	3.5	110.0	4.3	128.4	5.1	153.6	6.2	180.0	7.4	205.2	8.6
	30	90.6	3.6	110.0	4.4	128.4	5.2	153.6	6.3	180.0	7.6	205.2	8.8
	35	90.6	3.7	110.0	4.5	128.4	5.3	153.6	6.5	180.0	7.7	205.2	9.0
	40	90.6	3.7	110.0	4.6	128.4	5.4	153.6	6.6	180.0	7.9	205.2	9.3
	45	90.6	3.8	110.0	4.7	128.4	5.6	153.6	6.8	180.0	8.1	205.2	9.5
	50	90.6	3.9	110.0	4.8	128.4	5.7	153.6	7.0	180.0	8.3	205.2	9.7
	55	90.6	4.0	110.0	5.0	128.4	5.9	153.6	7.1	180.0	8.6	205.2	10.0
	60	90.6	4.1	110.0	5.1	128.4	6.0	153.6	7.3	180.0	8.8	205.2	10.3
	65	90.6	4.3	110.0	5.2	128.4	6.2	153.6	7.5	180.0	9.0	205.2	10.6
	70	90.6	4.6	110.0	5.7	128.4	6.7	153.6	8.2	180.0	9.8	205.2	11.5
	75	90.6	5.1	110.0	6.3	128.4	7.4	153.6	9.0	180.0	10.8	205.2	12.6
	80	90.6	5.6	110.0	6.9	128.4	8.1	153.6	9.9	180.0	11.8	205.2	13.8
	85	90.6	6.1	110.0	7.5	128.4	8.9	153.6	10.9	180.0	13.0	205.2	15.2
	90	90.6	6.7	110.0	8.3	128.4	9.8	153.6	11.9	180.0	14.2	205.2	16.6
	95	90.6	7.3	110.0	9.0	128.4	10.7	153.6	13.0	180.0	15.6	205.2	18.2
100	90.6	8.0	110.0	9.8	128.4	11.6	153.6	14.1	180.0	16.9	205.2	19.7	
105	90.6	8.6	110.0	10.6	128.4	12.5	153.6	15.2	180.0	18.3	196.7	20.4	
110	90.6	9.2	110.0	11.3	128.4	13.4	153.6	16.3	175.9	19.1	179.3	19.9	
115	90.6	9.8	110.0	12.0	128.4	14.2	149.7	16.8	154.2	17.7	157.1	18.5	
118	90.6	10.0	110.0	12.3	128.4	14.6	134.4	15.5	138.4	16.3	141.1	17.1	
125	81.3	9.4	84.9	9.9	87.8	10.4	91.2	11.0	93.9	11.6	95.7	12.1	

NOTE - Power Input = Compressor + Outdoor Fan Motor.  
 MBH = 1000 BTUs per hour.

# COOLING CAPACITY - SINGLE MODULE | VRB192H4

Combination (%)	Outdoor Temperature °F (Dry Bulb)	Indoor Temperature - °F (Dry Bulb / Wet Bulb)											
		67 / 57		71 / 60		75 / 63		80 / 67		85 / 71		90 / 75	
		Total Cap.	Power Input	Total Cap.	Power Input	Total Cap.	Power Input	Total Cap.	Power Input	Total Cap.	Power Input	Total Cap.	Power Input
		MBH	KW	MBH	KW	MBH	KW	MBH	KW	MBH	KW	MBH	KW
70%	-10	79.2	2.6	96.3	3.2	112.3	3.8	134.4	4.6	157.5	5.5	179.5	6.4
	-5	79.2	2.8	96.3	3.4	112.3	4.0	134.4	4.9	157.5	5.8	179.5	6.8
	10	79.2	2.8	96.3	3.5	112.3	4.1	134.4	5.0	157.5	6.0	179.5	7.0
	15	79.2	2.9	96.3	3.5	112.3	4.2	134.4	5.1	157.5	6.1	179.5	7.1
	20	79.2	2.9	96.3	3.6	112.3	4.3	134.4	5.2	157.5	6.2	179.5	7.3
	25	79.2	3.0	96.3	3.7	112.3	4.4	134.4	5.3	157.5	6.4	179.5	7.4
	30	79.2	3.1	96.3	3.8	112.3	4.5	134.4	5.4	157.5	6.5	179.5	7.6
	35	79.2	3.2	96.3	3.9	112.3	4.6	134.4	5.6	157.5	6.7	179.5	7.8
	40	79.2	3.2	96.3	4.0	112.3	4.7	134.4	5.7	157.5	6.8	179.5	8.0
	45	79.2	3.3	96.3	4.1	112.3	4.8	134.4	5.9	157.5	7.0	179.5	8.2
	50	79.2	3.4	96.3	4.2	112.3	4.9	134.4	6.0	157.5	7.2	179.5	8.4
	55	79.2	3.5	96.3	4.3	112.3	5.1	134.4	6.2	157.5	7.4	179.5	8.6
	60	79.2	3.6	96.3	4.4	112.3	5.2	134.4	6.3	157.5	7.6	179.5	8.9
	65	79.2	3.7	96.3	4.5	112.3	5.3	134.4	6.5	157.5	7.8	179.5	9.1
	70	79.2	4.0	96.3	4.9	112.3	5.8	134.4	7.1	157.5	8.5	179.5	9.9
	75	79.2	4.4	96.3	5.4	112.3	6.4	134.4	7.8	157.5	9.3	179.5	10.9
	80	79.2	4.8	96.3	5.9	112.3	7.0	134.4	8.5	157.5	10.2	179.5	11.9
	85	79.2	5.3	96.3	6.5	112.3	7.7	134.4	9.4	157.5	11.2	179.5	13.1
	90	79.2	5.8	96.3	7.1	112.3	8.4	134.4	10.3	157.5	12.3	179.5	14.3
	95	79.2	6.3	96.3	7.8	112.3	9.2	134.4	11.2	157.5	13.4	179.5	15.7
100	79.2	6.9	96.3	8.5	112.3	10.0	134.4	12.2	157.5	14.6	179.5	17.0	
105	79.2	7.4	96.3	9.1	112.3	10.8	134.4	13.1	157.5	15.7	179.5	18.4	
110	79.2	8.0	96.3	9.8	112.3	11.5	134.4	14.1	157.5	16.9	179.3	19.6	
115	79.2	8.4	96.3	10.3	112.3	12.2	134.4	14.9	154.2	17.5	157.1	18.2	
118	79.2	8.7	96.3	10.6	112.3	12.6	134.4	15.3	138.4	16.1	141.1	16.8	
125	76.4	8.7	84.9	9.8	87.8	10.2	91.2	10.8	93.9	11.4	95.7	11.9	
60%	-10	67.9	2.2	82.5	2.7	96.3	3.2	115.2	3.9	135.0	4.6	153.9	5.4
	-5	67.9	2.3	82.5	2.9	96.3	3.4	115.2	4.1	135.0	4.9	153.9	5.8
	10	67.9	2.4	82.5	2.9	96.3	3.5	115.2	4.2	135.0	5.0	153.9	5.9
	15	67.9	2.4	82.5	3.0	96.3	3.5	115.2	4.3	135.0	5.1	153.9	6.0
	20	67.9	2.5	82.5	3.1	96.3	3.6	115.2	4.4	135.0	5.3	153.9	6.1
	25	67.9	2.5	82.5	3.1	96.3	3.7	115.2	4.5	135.0	5.4	153.9	6.3
	30	67.9	2.6	82.5	3.2	96.3	3.8	115.2	4.6	135.0	5.5	153.9	6.4
	35	67.9	2.7	82.5	3.3	96.3	3.9	115.2	4.7	135.0	5.6	153.9	6.6
	40	67.9	2.7	82.5	3.4	96.3	4.0	115.2	4.8	135.0	5.8	153.9	6.7
	45	67.9	2.8	82.5	3.4	96.3	4.1	115.2	4.9	135.0	5.9	153.9	6.9
	50	67.9	2.9	82.5	3.5	96.3	4.2	115.2	5.1	135.0	6.1	153.9	7.1
	55	67.9	2.9	82.5	3.6	96.3	4.3	115.2	5.2	135.0	6.2	153.9	7.3
	60	67.9	3.0	82.5	3.7	96.3	4.4	115.2	5.3	135.0	6.4	153.9	7.5
	65	67.9	3.1	82.5	3.8	96.3	4.5	115.2	5.5	135.0	6.6	153.9	7.7
	70	67.9	3.4	82.5	4.2	96.3	4.9	115.2	6.0	135.0	7.2	153.9	8.4
	75	67.9	3.7	82.5	4.6	96.3	5.4	115.2	6.6	135.0	7.9	153.9	9.2
	80	67.9	4.1	82.5	5.0	96.3	5.9	115.2	7.2	135.0	8.6	153.9	10.1
	85	67.9	4.5	82.5	5.5	96.3	6.5	115.2	7.9	135.0	9.5	153.9	11.1
	90	67.9	4.9	82.5	6.0	96.3	7.1	115.2	8.7	135.0	10.4	153.9	12.1
	95	67.9	5.4	82.5	6.6	96.3	7.8	115.2	9.5	135.0	11.3	153.9	13.2
100	67.9	5.8	82.5	7.1	96.3	8.4	115.2	10.3	135.0	12.3	153.9	14.4	
105	67.9	6.3	82.5	7.7	96.3	9.1	115.2	11.1	135.0	13.3	153.9	15.5	
110	67.9	6.7	82.5	8.3	96.3	9.8	115.2	11.9	135.0	14.2	153.9	16.6	
115	67.9	7.1	82.5	8.7	96.3	10.3	115.2	12.6	135.0	15.1	153.9	17.6	
118	67.9	7.3	82.5	9.0	96.3	10.6	115.2	12.9	135.0	15.5	141.1	16.6	
125	67.9	7.6	82.5	9.4	87.8	10.1	91.2	10.7	93.9	11.2	95.7	11.7	

NOTE - Power Input = Compressor + Outdoor Fan Motor.  
 MBH = 1000 BTUs per hour.

## COOLING CAPACITY - SINGLE MODULE | VRB192H4

Combination (%)	Outdoor Temperature °F (Dry Bulb)	Indoor Temperature - °F (Dry Bulb / Wet Bulb)											
		67 / 57		71 / 60		75 / 63		80 / 67		85 / 71		90 / 75	
		Total Cap.	Power Input	Total Cap.	Power Input	Total Cap.	Power Input	Total Cap.	Power Input	Total Cap.	Power Input	Total Cap.	Power Input
		MBH	kW	MBH	kW	MBH	kW	MBH	kW	MBH	kW	MBH	kW
50%	-10	52.2	1.7	68.8	2.2	80.2	2.6	96.0	3.2	112.5	3.8	128.2	4.5
	-5	56.6	1.9	68.8	2.4	80.2	2.8	96.0	3.4	112.5	4.1	128.2	4.7
	10	56.6	2.0	68.8	2.4	80.2	2.8	96.0	3.5	112.5	4.1	128.2	4.8
	15	56.6	2.0	68.8	2.5	80.2	2.9	96.0	3.5	112.5	4.2	128.2	4.9
	20	56.6	2.0	68.8	2.5	80.2	3.0	96.0	3.6	112.5	4.3	128.2	5.0
	25	56.6	2.1	68.8	2.6	80.2	3.0	96.0	3.7	112.5	4.4	128.2	5.2
	30	56.6	2.1	68.8	2.6	80.2	3.1	96.0	3.8	112.5	4.5	128.2	5.3
	35	56.6	2.2	68.8	2.7	80.2	3.2	96.0	3.9	112.5	4.6	128.2	5.4
	40	56.6	2.2	68.8	2.8	80.2	3.3	96.0	4.0	112.5	4.7	128.2	5.5
	45	56.6	2.3	68.8	2.8	80.2	3.3	96.0	4.1	112.5	4.9	128.2	5.7
	50	56.6	2.4	68.8	2.9	80.2	3.4	96.0	4.2	112.5	5.0	128.2	5.8
	55	56.6	2.4	68.8	3.0	80.2	3.5	96.0	4.3	112.5	5.1	128.2	6.0
	60	56.6	2.5	68.8	3.1	80.2	3.6	96.0	4.4	112.5	5.3	128.2	6.1
	65	56.6	2.6	68.8	3.1	80.2	3.7	96.0	4.5	112.5	5.4	128.2	6.3
	70	56.6	2.8	68.8	3.4	80.2	4.0	96.0	4.9	112.5	5.9	128.2	6.9
	75	56.6	3.0	68.8	3.7	80.2	4.4	96.0	5.4	112.5	6.5	128.2	7.5
	80	56.6	3.3	68.8	4.1	80.2	4.9	96.0	5.9	112.5	7.1	128.2	8.3
	85	56.6	3.7	68.8	4.5	80.2	5.3	96.0	6.5	112.5	7.8	128.2	9.1
90	56.6	4.0	68.8	4.9	80.2	5.8	96.0	7.1	112.5	8.5	128.2	10.0	
95	56.6	4.4	68.8	5.4	80.2	6.4	96.0	7.8	112.5	9.3	128.2	10.9	
100	56.6	4.8	68.8	5.9	80.2	6.9	96.0	8.5	112.5	10.1	128.2	11.8	
105	56.6	5.2	68.8	6.3	80.2	7.5	96.0	9.1	112.5	10.9	128.2	12.8	
110	56.6	5.5	68.8	6.8	80.2	8.0	96.0	9.8	112.5	11.7	128.2	13.7	
115	56.6	5.8	68.8	7.2	80.2	8.5	96.0	10.3	112.5	12.4	128.2	14.5	
118	56.6	6.0	68.8	7.4	80.2	8.7	96.0	10.6	112.5	12.7	128.2	14.9	
125	56.6	6.3	68.8	7.7	80.2	9.1	91.2	10.5	93.9	11.1	95.7	11.6	

NOTE - Power Input = Compressor + Outdoor Fan Motor.  
 MBH = 1000 BTUs per hour.

# HEATING CAPACITY - SINGLE MODULE | VRB192H4

Combination (%)	Outdoor Temperature (°F)		Indoor Temperature - °F Dry Bulb												
			61		64		67		70		73		75		
			Total Cap.	Power Input	Total Cap.	Power Input	Total Cap.	Power Input	Total Cap.	Power Input	Total Cap.	Power Input	Total Cap.	Power Input	
	MBH	kW	MBH	kW	MBH	kW	MBH	kW	MBH	kW	MBH	kW			
130%	Dry Bulb	Wet Bulb													
	120%														
110%															

NOTE - Power Input = Compressor + Outdoor Fan Motor.  
 MBH = 1000 BTUs per hour.





# HEATING CAPACITY - SINGLE MODULE | VRB192H4

Combination (%)	Outdoor Temperature (°F)		Indoor Temperature - °F Dry Bulb											
			61		64		67		70		73		75	
	Dry Bulb	Wet Bulb	Total Cap.	Power Input	Total Cap.	Power Input	Total Cap.	Power Input	Total Cap.	Power Input	Total Cap.	Power Input	Total Cap.	Power Input
			MBH	kW	MBH	kW	MBH	kW	MBH	kW	MBH	kW	MBH	kW
70%	-13	-14	113.6	12.0	113.4	12.3	113.1	12.6	112.8	13.0	112.5	13.4	112.3	13.6
	-8	-9	116.8	12.3	116.5	12.6	116.2	13.0	115.9	13.3	115.6	13.7	115.4	14.0
	-3	-4	122.9	12.9	122.6	13.2	122.3	13.6	122.0	13.9	121.6	14.4	121.4	14.6
	2	1	131.2	13.6	130.8	13.9	130.5	14.3	130.2	14.7	129.9	15.1	129.6	15.4
	7	6	141.0	14.3	140.6	14.7	140.3	15.1	139.9	15.5	136.5	15.6	131.9	15.3
	12	10	151.6	15.0	151.2	15.4	150.9	15.8	145.5	15.7	137.7	15.3	132.6	15.0
	17	15	162.6	15.7	162.2	16.0	154.5	15.7	146.1	15.3	137.8	14.8	132.4	14.5
	22	20	171.6	16.0	162.6	15.5	154.2	15.1	145.3	14.6	136.4	14.1	130.7	13.8
	27	24	170.6	15.3	161.1	14.8	152.2	14.3	142.8	13.8	133.4	13.2	128.7	13.0
	32	29	167.6	14.4	157.6	13.9	148.3	13.4	138.4	12.8	135.6	12.8	135.4	12.5
	37	34	162.6	13.4	152.2	12.8	142.5	12.3	142.0	12.2	141.6	12.0	135.5	11.3
	42	38	155.6	12.2	147.8	11.8	147.5	11.7	147.1	11.5	141.6	10.8	135.5	10.3
	47	43	152.5	11.3	152.1	11.1	151.7	10.9	151.2	10.7	141.6	9.9	135.5	9.4
	52	47	155.8	10.5	155.4	10.3	155.1	10.2	151.2	9.9	141.6	9.2	135.5	8.7
	57	52	158.3	9.8	157.9	9.7	157.5	9.6	151.2	9.1	141.6	8.5	135.5	8.1
	62	56	160.1	9.1	159.7	9.1	159.3	9.0	151.2	8.5	141.6	7.9	135.5	7.5
	67	61	161.2	8.6	160.8	8.5	160.4	8.5	151.2	7.9	141.6	7.4	135.5	7.1
	72	66	162.0	8.0	161.6	8.0	160.8	7.9	151.2	7.5	141.6	7.0	135.5	6.7
	75	69	162.4	7.7	162.0	7.7	160.8	7.6	151.2	7.2	141.6	6.7	135.5	6.4
	80	74	163.2	7.3	162.8	7.3	160.8	7.2	151.2	6.8	141.6	6.4	135.5	6.1
60%	-13	-14	113.2	11.7	112.9	12.1	112.6	12.4	112.3	12.7	112.0	13.1	111.9	13.4
	-8	-9	116.3	12.1	116.0	12.4	115.7	12.7	115.4	13.1	115.1	13.5	115.0	13.8
	-3	-4	122.4	12.6	122.1	13.0	121.8	13.3	121.5	13.7	121.2	14.1	116.1	13.8
	2	1	130.6	13.3	130.3	13.7	130.0	14.0	127.1	14.1	121.4	13.9	116.1	13.6
	7	6	140.4	14.0	140.0	14.4	134.2	14.2	128.0	14.0	121.4	13.6	116.1	13.3
	12	10	148.0	14.5	141.4	14.2	135.1	13.9	128.5	13.6	121.4	13.3	116.1	13.0
	17	15	148.8	14.1	141.7	13.8	135.0	13.5	127.9	13.2	121.4	12.9	116.1	12.5
	22	20	148.1	13.6	140.5	13.2	133.4	12.9	125.9	12.5	121.4	12.4	116.1	12.1
	27	24	145.7	12.9	137.7	12.5	130.2	12.1	122.2	11.6	121.4	11.9	116.1	11.6
	32	29	141.4	12.0	133.0	11.5	125.1	11.1	116.8	10.6	121.4	11.3	116.1	10.6
	37	34	135.2	11.0	126.5	10.5	122.0	10.3	121.7	10.3	121.4	10.1	116.1	9.5
	42	38	127.3	9.8	126.7	10.0	126.4	9.9	126.1	9.7	121.4	9.2	116.1	8.7
	47	43	130.7	9.5	130.4	9.4	130.0	9.2	129.6	9.1	121.4	8.4	116.1	8.0
	52	47	133.6	8.9	133.2	8.7	132.9	8.6	129.6	8.3	121.4	7.7	116.1	7.3
	57	52	135.7	8.3	135.4	8.2	135.0	8.1	129.6	7.7	121.4	7.2	116.1	6.8
	62	56	137.2	7.7	136.8	7.7	136.5	7.6	129.6	7.2	121.4	6.7	116.1	6.4
	67	61	138.2	7.2	137.8	7.2	137.5	7.1	129.6	6.7	121.4	6.3	116.1	6.0
	72	66	138.9	6.8	138.5	6.8	137.8	6.7	129.6	6.3	121.4	5.9	116.1	5.6
	75	69	139.2	6.5	138.9	6.5	137.8	6.5	129.6	6.1	121.4	5.7	116.1	5.4
	80	74	139.9	6.2	139.5	6.2	137.8	6.1	129.6	5.7	121.4	5.4	116.1	5.1
50%	-13	-14	112.7	11.5	112.4	11.8	112.2	12.2	108.0	12.1	101.2	11.7	96.8	11.4
	-8	-9	115.8	11.9	115.5	12.2	114.8	12.5	108.0	12.1	101.2	11.7	96.8	11.4
	-3	-4	121.9	12.4	121.2	12.7	114.8	12.4	108.0	12.0	101.2	11.6	96.8	11.3
	2	1	126.4	12.7	121.2	12.5	114.8	12.2	108.0	11.8	101.2	11.4	96.8	11.2
	7	6	127.2	12.5	121.2	12.3	114.8	12.0	108.0	11.6	101.2	11.2	96.8	10.9
	12	10	127.5	12.3	121.2	12.0	114.8	11.7	108.0	11.3	101.2	10.9	96.8	10.7
	17	15	126.8	11.9	121.2	11.7	114.8	11.3	108.0	11.0	101.2	10.6	96.8	10.3
	22	20	124.6	11.3	121.2	11.3	114.8	10.9	108.0	10.6	101.2	10.2	96.8	9.9
	27	24	120.8	10.5	121.2	10.8	114.8	10.5	108.0	10.1	101.2	9.8	96.8	9.5
	32	29	115.2	9.6	121.2	10.4	114.8	10.1	108.0	9.7	101.2	9.3	96.8	8.7
	37	34	107.8	8.6	121.2	9.9	114.8	9.6	108.0	9.1	101.2	8.3	96.8	7.8
	42	38	105.9	8.1	121.2	9.4	114.8	8.8	108.0	8.2	101.2	7.5	96.8	7.1
	47	43	108.9	7.8	121.2	8.6	114.8	8.0	108.0	7.5	101.2	6.9	96.8	6.5
	52	47	111.3	7.3	121.2	7.8	114.8	7.4	108.0	6.9	101.2	6.4	96.8	6.0
	57	52	113.1	6.8	121.2	7.2	114.8	6.8	108.0	6.3	101.2	5.9	96.8	5.6
	62	56	114.3	6.3	121.2	6.7	114.8	6.3	108.0	5.9	101.2	5.5	96.8	5.2
	67	61	115.2	5.9	121.2	6.2	114.8	5.9	108.0	5.5	101.2	5.1	96.8	4.9
	72	66	115.7	5.6	121.2	5.8	114.8	5.5	108.0	5.2	101.2	4.8	96.8	4.6
	75	69	116.0	5.4	121.2	5.6	114.8	5.3	108.0	5.0	101.2	4.7	96.8	4.5
	80	74	116.6	5.1	121.2	5.3	114.8	5.0	108.0	4.7	101.2	4.4	96.8	4.2

NOTE - Power Input = Compressor + Outdoor Fan Motor.  
MBH = 1000 BTUs per hour.



# COOLING CAPACITY - TWO MODULE | VRB216H4

Combination (%)	Outdoor Temperature °F (Dry Bulb)	Indoor Temperature - °F (Dry Bulb / Wet Bulb)											
		67 / 57		71 / 60		75 / 63		80 / 67		85 / 71		90 / 75	
		Total Cap.	Power Input	Total Cap.	Power Input	Total Cap.	Power Input	Total Cap.	Power Input	Total Cap.	Power Input	Total Cap.	Power Input
		MBH	kW	MBH	kW	MBH	kW	MBH	kW	MBH	kW	MBH	kW
130%	-10	165.5	5.5	201.2	6.7	234.7	7.9	280.8	9.7	329.0	11.6	367.6	13.3
	-5	165.5	5.8	201.2	7.1	234.7	8.4	280.8	10.3	329.0	12.3	349.5	13.4
	10	165.5	5.9	201.2	7.3	234.7	8.6	280.8	10.5	329.0	12.6	343.1	13.4
	15	165.5	6.1	201.2	7.5	234.7	8.8	280.8	10.7	326.4	12.8	336.0	13.4
	20	165.5	6.2	201.2	7.6	234.7	9.0	280.8	11.0	322.2	12.9	328.9	13.4
	25	165.5	6.3	201.2	7.8	234.7	9.2	280.8	11.2	317.9	13.0	321.5	13.4
	30	165.5	6.5	201.2	8.0	234.7	9.4	280.8	11.5	310.1	12.9	314.4	13.4
	35	165.5	6.7	201.2	8.2	234.7	9.7	280.8	11.8	303.5	13.0	307.8	13.5
	40	165.5	6.8	201.2	8.4	234.7	9.9	280.8	12.1	299.5	13.1	303.8	13.6
	45	165.5	7.0	201.2	8.6	234.7	10.1	280.8	12.4	298.3	13.4	302.6	13.9
	50	165.5	7.2	201.2	8.8	234.7	10.4	280.8	12.7	297.5	13.7	301.8	14.2
	55	165.5	7.4	201.2	9.0	234.7	10.7	280.8	13.0	297.1	14.0	301.4	14.6
	60	165.5	7.6	201.2	9.3	234.7	11.0	280.8	13.4	298.0	14.4	301.1	15.0
	65	165.5	7.8	201.2	9.5	234.7	11.3	280.8	13.7	295.2	14.7	300.8	15.4
	70	165.5	8.4	201.2	10.4	234.7	12.3	280.8	14.9	294.6	16.0	300.2	16.7
	75	165.5	9.3	201.2	11.4	234.7	13.5	277.8	16.2	293.3	17.4	299.0	18.2
	80	165.5	10.2	201.2	12.5	234.7	14.8	276.3	17.7	291.0	19.0	296.6	19.8
	85	165.5	11.2	201.2	13.7	234.7	16.2	274.0	19.2	287.1	20.6	292.6	21.5
	90	165.5	12.2	201.2	15.0	234.7	17.8	270.5	20.8	281.2	22.1	286.6	23.0
	95	165.5	13.4	201.2	16.4	234.7	19.4	253.4	21.2	257.7	22.1	262.0	23.0
100	165.5	14.5	201.2	17.9	228.4	20.5	241.5	22.0	245.8	22.9	250.5	23.9	
105	165.5	15.7	201.2	19.3	219.1	21.1	224.0	22.0	230.6	23.2	235.1	24.2	
110	165.5	16.8	189.8	19.4	197.2	20.4	204.8	21.5	210.9	22.7	214.9	23.7	
115	158.3	16.9	167.9	18.1	173.7	19.0	180.4	20.1	185.7	21.1	189.3	22.0	
118	145.0	15.9	151.3	16.8	156.6	17.6	162.6	18.6	167.5	19.6	170.7	20.4	
125	100.2	11.4	104.6	12.1	108.2	12.7	112.4	13.4	115.8	14.1	118.0	14.7	
120%	-10	152.8	5.0	185.7	6.1	216.6	7.2	259.2	8.8	303.7	10.5	346.2	12.3
	-5	152.8	5.3	185.7	6.5	216.6	7.7	259.2	9.4	303.7	11.2	341.1	12.9
	10	152.8	5.4	185.7	6.6	216.6	7.8	259.2	9.6	303.7	11.4	337.3	13.0
	15	152.8	5.5	185.7	6.8	216.6	8.0	259.2	9.8	303.7	11.7	330.2	13.0
	20	152.8	5.6	185.7	6.9	216.6	8.2	259.2	10.0	303.7	11.9	323.1	13.0
	25	152.8	5.8	185.7	7.1	216.6	8.4	259.2	10.2	303.7	12.2	315.8	13.0
	30	152.8	5.9	185.7	7.3	216.6	8.6	259.2	10.4	299.5	12.3	308.8	13.0
	35	152.8	6.0	185.7	7.4	216.6	8.8	259.2	10.7	295.6	12.4	302.2	13.0
	40	152.8	6.2	185.7	7.6	216.6	9.0	259.2	11.0	293.0	12.6	298.1	13.2
	45	152.8	6.3	185.7	7.8	216.6	9.2	259.2	11.2	292.0	12.9	296.9	13.4
	50	152.8	6.5	185.7	8.0	216.6	9.5	259.2	11.5	291.2	13.2	296.1	13.7
	55	152.8	6.7	185.7	8.2	216.6	9.7	259.2	11.8	290.6	13.5	295.7	14.1
	60	152.8	6.9	185.7	8.4	216.6	10.0	259.2	12.1	290.7	13.9	295.4	14.4
	65	152.8	7.1	185.7	8.7	216.6	10.2	259.2	12.5	289.1	14.2	295.2	14.8
	70	152.8	7.7	185.7	9.4	216.6	11.1	259.2	13.6	288.4	15.4	294.6	16.1
	75	152.8	8.4	185.7	10.4	216.6	12.2	259.2	14.9	287.5	16.8	293.3	17.6
	80	152.8	9.3	185.7	11.4	216.6	13.4	259.2	16.4	285.5	18.4	291.0	19.2
	85	152.8	10.2	185.7	12.5	216.6	14.7	259.2	18.0	281.7	19.9	287.1	20.7
	90	152.8	11.1	185.7	13.7	216.6	16.1	259.2	19.7	275.9	21.3	281.2	22.2
	95	152.8	12.1	185.7	14.9	216.6	17.6	248.2	20.5	257.7	21.7	262.0	22.6
100	152.8	13.2	185.7	16.2	216.6	19.2	241.7	21.7	245.8	22.5	250.5	23.5	
105	152.8	14.3	185.7	17.5	211.0	20.1	224.0	21.7	230.6	22.8	235.1	23.8	
110	152.8	15.3	182.9	18.5	197.2	20.0	204.8	21.2	210.9	22.3	214.9	23.3	
115	152.8	16.1	167.9	17.8	173.7	18.7	180.4	19.8	185.7	20.8	189.3	21.7	
118	142.8	15.4	151.3	16.5	156.6	17.3	162.6	18.3	167.5	19.3	170.7	20.1	
125	100.2	11.3	104.6	11.9	108.2	12.5	112.4	13.2	115.8	13.9	118.0	14.5	

NOTE - Power Input = Compressor + Outdoor Fan Motor.  
 MBH = 1000 BTUs per hour.

# COOLING CAPACITY - TWO MODULE | VRB216H4

Combination (%)	Outdoor Temperature °F (Dry Bulb)	Indoor Temperature - °F (Dry Bulb / Wet Bulb)											
		67 / 57		71 / 60		75 / 63		80 / 67		85 / 71		90 / 75	
		Total Cap.	Power Input	Total Cap.	Power Input	Total Cap.	Power Input	Total Cap.	Power Input	Total Cap.	Power Input	Total Cap.	Power Input
		MBH	KW	MBH	KW	MBH	KW	MBH	KW	MBH	KW	MBH	KW
110%	-10	140.1	4.5	170.2	5.5	198.6	6.5	237.6	7.9	278.4	9.5	317.4	11.1
	-5	140.1	4.8	170.2	5.9	198.6	6.9	237.6	8.4	278.4	10.1	317.4	11.8
	10	140.1	4.9	170.2	6.0	198.6	7.1	237.6	8.6	278.4	10.3	317.4	12.1
	15	140.1	5.0	170.2	6.1	198.6	7.2	237.6	8.8	278.4	10.6	317.3	12.3
	20	140.1	5.1	170.2	6.3	198.6	7.4	237.6	9.0	278.4	10.8	313.2	12.4
	25	140.1	5.2	170.2	6.4	198.6	7.6	237.6	9.2	278.4	11.0	309.0	12.5
	30	140.1	5.3	170.2	6.5	198.6	7.7	237.6	9.4	278.4	11.3	303.1	12.6
	35	140.1	5.5	170.2	6.7	198.6	7.9	237.6	9.7	278.4	11.6	296.5	12.6
	40	140.1	5.6	170.2	6.9	198.6	8.1	237.6	9.9	278.4	11.8	292.4	12.7
	45	140.1	5.7	170.2	7.0	198.6	8.3	237.6	10.1	278.4	12.1	291.2	13.0
	50	140.1	5.9	170.2	7.2	198.6	8.5	237.6	10.4	278.4	12.5	290.4	13.3
	55	140.1	6.0	170.2	7.4	198.6	8.8	237.6	10.7	278.4	12.8	290.0	13.6
	60	140.1	6.2	170.2	7.6	198.6	9.0	237.6	11.0	276.3	13.0	289.8	13.9
	65	140.1	6.4	170.2	7.8	198.6	9.2	237.6	11.3	274.9	13.3	289.5	14.3
	70	140.1	6.9	170.2	8.5	198.6	10.1	237.6	12.3	274.2	14.5	288.9	15.5
	75	140.1	7.6	170.2	9.3	198.6	11.0	237.6	13.5	273.3	15.8	287.7	17.0
	80	140.1	8.4	170.2	10.3	198.6	12.1	237.6	14.8	271.8	17.2	285.4	18.5
	85	140.1	9.2	170.2	11.3	198.6	13.3	237.6	16.2	269.6	18.8	281.6	20.0
	90	140.1	10.0	170.2	12.3	198.6	14.6	237.6	17.8	266.3	20.3	275.8	21.5
	95	140.1	11.0	170.2	13.5	198.6	15.9	237.6	19.4	259.1	21.5	262.0	22.3
100	140.1	11.9	170.2	14.7	198.6	17.3	234.1	20.8	245.8	22.2	250.5	23.2	
105	140.1	12.9	170.2	15.8	198.6	18.7	222.8	21.2	230.6	22.5	235.1	23.5	
110	140.1	13.8	170.2	16.9	191.1	19.2	204.8	20.9	210.9	22.0	214.9	23.0	
115	140.1	14.6	162.7	17.1	173.7	18.4	180.4	19.5	185.7	20.5	189.3	21.4	
118	137.1	14.6	151.3	16.3	156.6	17.0	162.6	18.0	167.5	19.0	170.7	19.8	
125	100.2	11.1	104.6	11.7	108.2	12.3	112.4	13.0	115.8	13.7	118.0	14.3	
100%	-10	127.3	4.0	154.7	4.9	180.5	5.8	216.0	7.1	253.1	8.5	288.5	9.9
	-5	127.3	4.3	154.7	5.3	180.5	6.2	216.0	7.6	253.1	9.1	288.5	10.6
	10	127.3	4.4	154.7	5.4	180.5	6.3	216.0	7.7	253.1	9.2	288.5	10.8
	15	127.3	4.5	154.7	5.5	180.5	6.5	216.0	7.9	253.1	9.5	288.5	11.0
	20	127.3	4.6	154.7	5.6	180.5	6.6	216.0	8.1	253.1	9.7	288.4	11.3
	25	127.3	4.7	154.7	5.7	180.5	6.8	216.0	8.2	253.1	9.9	286.7	11.5
	30	127.3	4.8	154.7	5.9	180.5	6.9	216.0	8.4	253.1	10.1	285.1	11.7
	35	127.3	4.9	154.7	6.0	180.5	7.1	216.0	8.6	253.1	10.4	283.7	11.9
	40	127.3	5.0	154.7	6.2	180.5	7.3	216.0	8.9	253.1	10.6	282.5	12.1
	45	127.3	5.1	154.7	6.3	180.5	7.4	216.0	9.1	253.1	10.9	281.5	12.4
	50	127.3	5.3	154.7	6.5	180.5	7.6	216.0	9.3	253.1	11.2	280.8	12.6
	55	127.3	5.4	154.7	6.6	180.5	7.8	216.0	9.6	253.1	11.4	280.2	13.0
	60	127.3	5.5	154.7	6.8	180.5	8.1	216.0	9.8	253.1	11.8	279.7	13.3
	65	127.3	5.7	154.7	7.0	180.5	8.3	216.0	10.1	253.1	12.1	279.3	13.6
	70	127.3	6.2	154.7	7.6	180.5	9.0	216.0	11.0	253.1	13.1	278.6	14.8
	75	127.3	6.8	154.7	8.4	180.5	9.9	216.0	12.0	253.1	14.4	277.7	16.2
	80	127.3	7.5	154.7	9.2	180.5	10.9	216.0	13.2	253.1	15.8	276.2	17.7
	85	127.3	8.2	154.7	10.1	180.5	11.9	216.0	14.5	253.1	17.4	274.0	19.2
	90	127.3	9.0	154.7	11.1	180.5	13.0	216.0	15.9	252.2	19.0	270.3	20.7
	95	127.3	9.8	154.7	12.1	180.5	14.3	<b>216.0</b>	<b>17.4</b>	247.6	20.3	262.0	22.0
100	127.3	10.7	154.7	13.1	180.5	15.5	216.0	18.9	241.4	21.5	250.5	22.8	
105	127.3	11.5	154.7	14.2	180.5	16.7	213.2	20.1	230.6	22.1	235.1	23.1	
110	127.3	12.3	154.7	15.2	180.5	17.9	202.8	20.4	210.9	21.7	214.9	22.6	
115	127.3	13.0	154.7	16.0	170.3	17.8	180.4	19.2	185.7	20.2	189.3	21.1	
118	127.3	13.4	147.0	15.6	156.6	16.8	162.6	17.8	167.5	18.7	170.7	19.5	
125	100.2	10.9	104.6	11.5	108.2	12.1	112.4	12.8	115.8	13.5	118.0	14.0	

NOTE - Power Input = Compressor + Outdoor Fan Motor.  
 MBH = 1000 BTUs per hour.

# COOLING CAPACITY - TWO MODULE | VRB216H4

Combination (%)	Outdoor Temperature °F (Dry Bulb)	Indoor Temperature - °F (Dry Bulb / Wet Bulb)											
		67 / 57		71 / 60		75 / 63		80 / 67		85 / 71		90 / 75	
		Total Cap.	Power Input	Total Cap.	Power Input	Total Cap.	Power Input	Total Cap.	Power Input	Total Cap.	Power Input	Total Cap.	Power Input
		MBH	kW	MBH	kW	MBH	kW	MBH	kW	MBH	kW	MBH	kW
90%	-10	114.6	3.6	139.3	4.4	162.5	5.2	194.4	6.3	227.8	7.6	259.7	8.8
	-5	114.6	3.8	139.3	4.7	162.5	5.5	194.4	6.7	227.8	8.0	259.7	9.4
	10	114.6	3.9	139.3	4.8	162.5	5.6	194.4	6.8	227.8	8.2	259.7	9.6
	15	114.6	4.0	139.3	4.9	162.5	5.7	194.4	7.0	227.8	8.4	259.7	9.8
	20	114.6	4.0	139.3	5.0	162.5	5.9	194.4	7.1	227.8	8.6	259.7	10.0
	25	114.6	4.1	139.3	5.1	162.5	6.0	194.4	7.3	227.8	8.8	259.7	10.2
	30	114.6	4.2	139.3	5.2	162.5	6.1	194.4	7.5	227.8	9.0	259.7	10.5
	35	114.6	4.3	139.3	5.3	162.5	6.3	194.4	7.7	227.8	9.2	259.7	10.7
	40	114.6	4.4	139.3	5.5	162.5	6.4	194.4	7.9	227.8	9.4	259.7	11.0
	45	114.6	4.5	139.3	5.6	162.5	6.6	194.4	8.0	227.8	9.6	259.7	11.3
	50	114.6	4.7	139.3	5.7	162.5	6.8	194.4	8.3	227.8	9.9	259.7	11.5
	55	114.6	4.8	139.3	5.9	162.5	7.0	194.4	8.5	227.8	10.2	259.7	11.9
	60	114.6	4.9	139.3	6.0	162.5	7.1	194.4	8.7	227.8	10.4	259.7	12.2
	65	114.6	5.1	139.3	6.2	162.5	7.3	194.4	8.9	227.8	10.7	259.7	12.5
	70	114.6	5.5	139.3	6.8	162.5	8.0	194.4	9.7	227.8	11.7	259.7	13.6
	75	114.6	6.0	139.3	7.4	162.5	8.8	194.4	10.7	227.8	12.8	259.7	14.9
	80	114.6	6.6	139.3	8.2	162.5	9.6	194.4	11.7	227.8	14.1	259.7	16.4
	85	114.6	7.3	139.3	8.9	162.5	10.6	194.4	12.9	227.8	15.4	258.2	17.9
	90	114.6	8.0	139.3	9.8	162.5	11.6	194.4	14.1	227.8	16.9	255.0	19.3
	95	114.6	8.7	139.3	10.7	162.5	12.6	194.4	15.4	227.8	18.4	253.2	21.0
100	114.6	9.5	139.3	11.6	162.5	13.7	194.4	16.7	227.6	20.0	246.8	22.2	
105	114.6	10.2	139.3	12.6	162.5	14.8	194.4	18.1	221.9	21.1	235.1	22.8	
110	114.6	10.9	139.3	13.4	162.5	15.9	193.2	19.2	210.9	21.3	214.9	22.3	
115	114.6	11.6	139.3	14.2	162.3	16.8	180.0	18.8	185.7	19.9	189.3	20.7	
118	114.6	11.9	139.3	14.6	153.1	16.2	162.6	17.5	167.5	18.4	170.7	19.2	
125	100.2	10.8	104.6	11.4	108.2	11.9	112.4	12.6	115.8	13.3	118.0	13.8	
80%	-10	101.9	3.1	123.8	3.8	144.4	4.5	172.8	5.5	202.5	6.6	230.8	7.7
	-5	101.9	3.3	123.8	4.1	144.4	4.8	172.8	5.9	202.5	7.0	230.8	8.2
	10	101.9	3.4	123.8	4.2	144.4	4.9	172.8	6.0	202.5	7.2	230.8	8.4
	15	101.9	3.5	123.8	4.3	144.4	5.0	172.8	6.1	202.5	7.3	230.8	8.6
	20	101.9	3.5	123.8	4.4	144.4	5.1	172.8	6.3	202.5	7.5	230.8	8.8
	25	101.9	3.6	123.8	4.5	144.4	5.3	172.8	6.4	202.5	7.7	230.8	9.0
	30	101.9	3.7	123.8	4.6	144.4	5.4	172.8	6.6	202.5	7.9	230.8	9.2
	35	101.9	3.8	123.8	4.7	144.4	5.5	172.8	6.7	202.5	8.0	230.8	9.4
	40	101.9	3.9	123.8	4.8	144.4	5.6	172.8	6.9	202.5	8.2	230.8	9.6
	45	101.9	4.0	123.8	4.9	144.4	5.8	172.8	7.1	202.5	8.4	230.8	9.9
	50	101.9	4.1	123.8	5.0	144.4	5.9	172.8	7.2	202.5	8.7	230.8	10.1
	55	101.9	4.2	123.8	5.2	144.4	6.1	172.8	7.4	202.5	8.9	230.8	10.4
	60	101.9	4.3	123.8	5.3	144.4	6.3	172.8	7.6	202.5	9.1	230.8	10.7
	65	101.9	4.4	123.8	5.4	144.4	6.4	172.8	7.8	202.5	9.4	230.8	11.0
	70	101.9	4.8	123.8	5.9	144.4	7.0	172.8	8.5	202.5	10.2	230.8	11.9
	75	101.9	5.3	123.8	6.5	144.4	7.7	172.8	9.4	202.5	11.2	230.8	13.1
	80	101.9	5.8	123.8	7.1	144.4	8.4	172.8	10.3	202.5	12.3	230.8	14.4
	85	101.9	6.4	123.8	7.8	144.4	9.3	172.8	11.3	202.5	13.5	230.8	15.8
	90	101.9	7.0	123.8	8.6	144.4	10.1	172.8	12.4	202.5	14.8	230.8	17.3
	95	101.9	7.6	123.8	9.4	144.4	11.1	172.8	13.5	202.5	16.2	230.8	18.9
100	101.9	8.3	123.8	10.2	144.4	12.0	172.8	14.7	202.5	17.6	230.8	20.5	
105	101.9	9.0	123.8	11.0	144.4	13.0	172.8	15.8	202.5	19.0	225.5	21.6	
110	101.9	9.6	123.8	11.8	144.4	13.9	172.8	16.9	199.9	20.0	214.6	21.9	
115	101.9	10.1	123.8	12.5	144.4	14.7	170.4	17.7	185.7	19.6	189.3	20.4	
118	101.9	10.4	123.8	12.8	144.4	15.1	160.8	17.1	167.5	18.1	170.7	18.9	
125	96.1	10.2	104.6	11.2	108.2	11.7	112.4	12.4	115.8	13.1	118.0	13.6	

NOTE - Power Input = Compressor + Outdoor Fan Motor.  
 MBH = 1000 BTUs per hour.

# COOLING CAPACITY - TWO MODULE | VRB216H4

Combination (%)	Outdoor Temperature °F (Dry Bulb)	Indoor Temperature - °F (Dry Bulb / Wet Bulb)											
		67 / 57		71 / 60		75 / 63		80 / 67		85 / 71		90 / 75	
		Total Cap.	Power Input	Total Cap.	Power Input	Total Cap.	Power Input	Total Cap.	Power Input	Total Cap.	Power Input	Total Cap.	Power Input
		MBH	KW	MBH	KW	MBH	KW	MBH	KW	MBH	KW	MBH	KW
70%	-10	89.1	2.7	108.3	3.3	126.4	3.9	151.2	4.8	177.2	5.7	202.0	6.7
	-5	89.1	2.9	108.3	3.5	126.4	4.2	151.2	5.1	177.2	6.1	202.0	7.1
	10	89.1	2.9	108.3	3.6	126.4	4.2	151.2	5.2	177.2	6.2	202.0	7.2
	15	89.1	3.0	108.3	3.7	126.4	4.3	151.2	5.3	177.2	6.3	202.0	7.4
	20	89.1	3.1	108.3	3.8	126.4	4.4	151.2	5.4	177.2	6.5	202.0	7.6
	25	89.1	3.1	108.3	3.8	126.4	4.5	151.2	5.5	177.2	6.6	202.0	7.7
	30	89.1	3.2	108.3	3.9	126.4	4.6	151.2	5.7	177.2	6.8	202.0	7.9
	35	89.1	3.3	108.3	4.0	126.4	4.7	151.2	5.8	177.2	6.9	202.0	8.1
	40	89.1	3.4	108.3	4.1	126.4	4.9	151.2	5.9	177.2	7.1	202.0	8.3
	45	89.1	3.4	108.3	4.2	126.4	5.0	151.2	6.1	177.2	7.3	202.0	8.5
	50	89.1	3.5	108.3	4.3	126.4	5.1	151.2	6.2	177.2	7.5	202.0	8.7
	55	89.1	3.6	108.3	4.4	126.4	5.3	151.2	6.4	177.2	7.7	202.0	9.0
	60	89.1	3.7	108.3	4.6	126.4	5.4	151.2	6.6	177.2	7.9	202.0	9.2
	65	89.1	3.8	108.3	4.7	126.4	5.5	151.2	6.8	177.2	8.1	202.0	9.5
	70	89.1	4.2	108.3	5.1	126.4	6.0	151.2	7.4	177.2	8.8	202.0	10.3
	75	89.1	4.6	108.3	5.6	126.4	6.6	151.2	8.1	177.2	9.7	202.0	11.3
	80	89.1	5.0	108.3	6.2	126.4	7.3	151.2	8.9	177.2	10.6	202.0	12.4
	85	89.1	5.5	108.3	6.8	126.4	8.0	151.2	9.7	177.2	11.6	202.0	13.6
	90	89.1	6.0	108.3	7.4	126.4	8.7	151.2	10.7	177.2	12.8	202.0	14.9
	95	89.1	6.6	108.3	8.1	126.4	9.5	151.2	11.6	177.2	13.9	202.0	16.3
100	89.1	7.2	108.3	8.8	126.4	10.4	151.2	12.6	177.2	15.2	202.0	17.7	
105	89.1	7.7	108.3	9.5	126.4	11.2	151.2	13.7	177.2	16.4	202.0	19.1	
110	89.1	8.3	108.3	10.2	126.4	12.0	151.2	14.6	177.2	17.5	201.8	20.4	
115	89.1	8.7	108.3	10.7	126.4	12.7	151.2	15.5	175.1	18.3	188.0	20.0	
118	89.1	9.0	108.3	11.0	126.4	13.0	151.2	15.9	165.2	17.7	170.7	18.7	
125	87.4	9.2	101.2	10.7	108.2	11.6	112.4	12.2	115.8	12.9	118.0	13.4	
60%	-10	76.4	2.3	92.8	2.8	108.3	3.3	129.6	4.0	151.8	4.8	173.1	5.6
	-5	76.4	2.4	92.8	3.0	108.3	3.5	129.6	4.3	151.8	5.1	173.1	6.0
	10	76.4	2.5	92.8	3.0	108.3	3.6	129.6	4.4	151.8	5.2	173.1	6.1
	15	76.4	2.5	92.8	3.1	108.3	3.7	129.6	4.5	151.8	5.4	173.1	6.2
	20	76.4	2.6	92.8	3.2	108.3	3.7	129.6	4.6	151.8	5.5	173.1	6.4
	25	76.4	2.6	92.8	3.2	108.3	3.8	129.6	4.7	151.8	5.6	173.1	6.5
	30	76.4	2.7	92.8	3.3	108.3	3.9	129.6	4.8	151.8	5.7	173.1	6.7
	35	76.4	2.8	92.8	3.4	108.3	4.0	129.6	4.9	151.8	5.9	173.1	6.8
	40	76.4	2.8	92.8	3.5	108.3	4.1	129.6	5.0	151.8	6.0	173.1	7.0
	45	76.4	2.9	92.8	3.6	108.3	4.2	129.6	5.1	151.8	6.2	173.1	7.2
	50	76.4	3.0	92.8	3.7	108.3	4.3	129.6	5.3	151.8	6.3	173.1	7.4
	55	76.4	3.1	92.8	3.8	108.3	4.4	129.6	5.4	151.8	6.5	173.1	7.6
	60	76.4	3.1	92.8	3.9	108.3	4.6	129.6	5.6	151.8	6.7	173.1	7.8
	65	76.4	3.2	92.8	4.0	108.3	4.7	129.6	5.7	151.8	6.8	173.1	8.0
	70	76.4	3.5	92.8	4.3	108.3	5.1	129.6	6.2	151.8	7.4	173.1	8.7
	75	76.4	3.9	92.8	4.7	108.3	5.6	129.6	6.8	151.8	8.2	173.1	9.5
	80	76.4	4.2	92.8	5.2	108.3	6.1	129.6	7.5	151.8	9.0	173.1	10.5
	85	76.4	4.6	92.8	5.7	108.3	6.7	129.6	8.2	151.8	9.8	173.1	11.5
	90	76.4	5.1	92.8	6.3	108.3	7.4	129.6	9.0	151.8	10.8	173.1	12.6
	95	76.4	5.6	92.8	6.8	108.3	8.1	129.6	9.8	151.8	11.8	173.1	13.8
100	76.4	6.0	92.8	7.4	108.3	8.8	129.6	10.7	151.8	12.8	173.1	14.9	
105	76.4	6.5	92.8	8.0	108.3	9.5	129.6	11.5	151.8	13.8	173.1	16.1	
110	76.4	7.0	92.8	8.6	108.3	10.1	129.6	12.3	151.8	14.8	173.1	17.3	
115	76.4	7.4	92.8	9.1	108.3	10.7	129.6	13.1	151.8	15.7	173.1	18.3	
118	76.4	7.6	92.8	9.3	108.3	11.0	129.6	13.4	151.8	16.1	165.1	17.9	
125	76.4	7.9	92.8	9.7	103.0	10.9	112.4	12.1	115.8	12.7	118.0	13.3	

NOTE - Power Input = Compressor + Outdoor Fan Motor.  
 MBH = 1000 BTUs per hour.

## COOLING CAPACITY - TWO MODULE | VRB216H4

Combination (%)	Outdoor Temperature °F (Dry Bulb)	Indoor Temperature - °F (Dry Bulb / Wet Bulb)											
		67 / 57		71 / 60		75 / 63		80 / 67		85 / 71		90 / 75	
		Total Cap.	Power Input	Total Cap.	Power Input	Total Cap.	Power Input	Total Cap.	Power Input	Total Cap.	Power Input	Total Cap.	Power Input
		MBH	kW	MBH	kW	MBH	kW	MBH	kW	MBH	kW	MBH	kW
50%	-10	59.9	1.8	77.4	2.3	90.3	2.7	108.0	3.3	126.5	4.0	144.3	4.6
	-5	63.7	2.0	77.4	2.4	90.3	2.9	108.0	3.5	126.5	4.2	144.3	4.9
	10	63.7	2.0	77.4	2.5	90.3	2.9	108.0	3.6	126.5	4.3	144.3	5.0
	15	63.7	2.1	77.4	2.6	90.3	3.0	108.0	3.7	126.5	4.4	144.3	5.1
	20	63.7	2.1	77.4	2.6	90.3	3.1	108.0	3.7	126.5	4.5	144.3	5.2
	25	63.7	2.2	77.4	2.7	90.3	3.1	108.0	3.8	126.5	4.6	144.3	5.4
	30	63.7	2.2	77.4	2.7	90.3	3.2	108.0	3.9	126.5	4.7	144.3	5.5
	35	63.7	2.3	77.4	2.8	90.3	3.3	108.0	4.0	126.5	4.8	144.3	5.6
	40	63.7	2.3	77.4	2.9	90.3	3.4	108.0	4.1	126.5	4.9	144.3	5.8
	45	63.7	2.4	77.4	2.9	90.3	3.5	108.0	4.2	126.5	5.1	144.3	5.9
	50	63.7	2.4	77.4	3.0	90.3	3.6	108.0	4.3	126.5	5.2	144.3	6.1
	55	63.7	2.5	77.4	3.1	90.3	3.6	108.0	4.4	126.5	5.3	144.3	6.2
	60	63.7	2.6	77.4	3.2	90.3	3.7	108.0	4.6	126.5	5.5	144.3	6.4
	65	63.7	2.7	77.4	3.3	90.3	3.9	108.0	4.7	126.5	5.6	144.3	6.6
	70	63.7	2.9	77.4	3.5	90.3	4.2	108.0	5.1	126.5	6.1	144.3	7.1
	75	63.7	3.2	77.4	3.9	90.3	4.6	108.0	5.6	126.5	6.7	144.3	7.8
	80	63.7	3.5	77.4	4.3	90.3	5.0	108.0	6.2	126.5	7.4	144.3	8.6
	85	63.7	3.8	77.4	4.7	90.3	5.5	108.0	6.8	126.5	8.1	144.3	9.4
	90	63.7	4.2	77.4	5.1	90.3	6.1	108.0	7.4	126.5	8.9	144.3	10.3
	95	63.7	4.6	77.4	5.6	90.3	6.6	108.0	8.1	126.5	9.7	144.3	11.3
100	63.7	5.0	77.4	6.1	90.3	7.2	108.0	8.8	126.5	10.5	144.3	12.3	
105	63.7	5.4	77.4	6.6	90.3	7.8	108.0	9.5	126.5	11.4	144.3	13.3	
110	63.7	5.7	77.4	7.1	90.3	8.3	108.0	10.1	126.5	12.2	144.3	14.2	
115	63.7	6.1	77.4	7.5	90.3	8.8	108.0	10.7	126.5	12.9	144.3	15.0	
118	63.7	6.2	77.4	7.7	90.3	9.1	108.0	11.0	126.5	13.2	144.3	15.4	
125	63.7	6.5	77.4	8.0	90.3	9.4	105.0	11.2	114.9	12.4	118.0	13.1	

NOTE - Power Input = Compressor + Outdoor Fan Motor.  
 MBH = 1000 BTUs per hour.





# HEATING CAPACITY - TWO MODULE | VRB216H4

Combination (%)	Outdoor Temperature (°F)		Indoor Temperature - °F Dry Bulb											
			61		64		67		70		73		75	
			Total Cap.	Power Input	Total Cap.	Power Input	Total Cap.	Power Input	Total Cap.	Power Input	Total Cap.	Power Input	Total Cap.	Power Input
	Dry Bulb	Wet Bulb	MBH	kW	MBH	kW	MBH	kW	MBH	kW	MBH	kW	MBH	kW
100%	-13	-14	133.1	13.7	132.7	14.0	132.4	14.4	132.1	14.8	131.7	15.3	131.5	15.6
	-8	-9	140.9	14.5	140.5	14.8	140.2	15.2	139.8	15.7	139.5	16.1	139.2	16.5
	-3	-4	152.4	15.5	152.0	15.9	151.6	16.4	151.2	16.8	150.8	17.3	150.6	17.7
	2	1	166.4	16.7	166.0	17.2	165.6	17.6	165.2	18.1	164.7	18.7	164.5	19.0
	7	6	182.0	18.0	181.5	18.4	181.1	18.9	180.6	19.4	180.1	20.0	179.8	20.4
	12	10	198.2	19.1	197.7	19.6	197.2	20.1	196.7	20.6	196.2	21.2	195.9	21.6
	17	15	214.3	20.1	213.8	20.6	213.2	21.0	212.7	21.6	209.6	21.9	205.0	21.9
	22	20	229.7	20.8	229.1	21.3	228.5	21.8	224.7	22.0	217.6	22.0	212.9	22.0
	27	24	243.8	21.3	243.2	21.7	239.3	21.9	232.2	21.9	225.0	21.9	217.7	21.6
	32	29	256.3	21.4	252.9	21.7	246.1	21.7	239.0	21.6	227.6	21.0	217.7	19.7
	37	34	266.1	21.3	258.9	21.3	252.1	21.2	243.0	20.5	227.6	18.8	217.7	17.8
	42	38	271.2	20.7	264.0	20.7	257.2	20.0	243.0	18.5	227.6	17.1	217.7	16.2
	47	43	275.3	19.9	268.1	19.1	258.4	18.2	243.0	16.9	227.6	15.6	217.7	14.8
	52	47	278.5	18.3	271.3	17.7	258.4	16.7	243.0	15.5	227.6	14.4	217.7	13.7
	57	52	280.8	17.0	272.8	16.4	258.4	15.4	243.0	14.4	227.6	13.4	217.7	12.7
	62	56	282.3	15.8	272.8	15.2	258.4	14.3	243.0	13.4	227.6	12.5	217.7	11.9
	67	61	283.3	14.7	272.8	14.1	258.4	13.3	243.0	12.5	227.6	11.7	217.7	11.1
	72	66	283.8	13.8	272.8	13.2	258.4	12.5	243.0	11.7	227.6	11.0	217.7	10.5
75	69	284.1	13.3	272.8	12.7	258.4	12.1	243.0	11.3	227.6	10.6	217.7	10.1	
80	74	284.6	12.5	272.8	12.0	258.4	11.4	243.0	10.7	227.6	10.0	217.7	9.6	
90%	-13	-14	132.5	13.4	132.2	13.8	131.9	14.1	131.5	14.5	131.2	15.0	131.0	15.3
	-8	-9	140.3	14.2	140.0	14.6	139.6	15.0	139.3	15.4	138.9	15.8	138.7	16.2
	-3	-4	151.8	15.2	151.4	15.6	151.0	16.1	150.6	16.5	150.2	17.0	150.0	17.3
	2	1	165.7	16.4	165.3	16.9	164.9	17.3	164.5	17.8	164.1	18.3	163.8	18.7
	7	6	181.2	17.6	180.8	18.1	180.4	18.5	179.9	19.1	179.4	19.6	178.9	20.0
	12	10	197.4	18.7	196.9	19.2	196.4	19.7	195.9	20.2	191.0	20.4	186.9	20.4
	17	15	213.5	19.7	212.9	20.2	211.9	20.6	205.5	20.6	199.1	20.6	194.9	20.6
	22	20	228.7	20.4	225.9	20.7	219.9	20.7	213.4	20.7	204.9	20.5	195.9	20.0
	27	24	239.9	20.6	233.4	20.6	227.3	20.6	218.7	20.4	204.9	19.6	195.9	19.1
	32	29	246.7	20.4	240.2	20.4	232.5	20.2	218.7	19.5	204.9	18.6	195.9	17.5
	37	34	252.7	20.0	245.5	19.9	232.5	19.3	218.7	18.2	204.9	16.7	195.9	15.8
	42	38	257.8	19.5	245.5	19.0	232.5	17.8	218.7	16.4	204.9	15.2	195.9	14.3
	47	43	254.0	18.1	245.5	17.3	232.5	16.2	218.7	15.0	204.9	13.9	195.9	13.2
	52	47	250.7	16.2	245.5	15.8	232.5	14.8	218.7	13.8	204.9	12.8	195.9	12.1
	57	52	252.7	15.0	245.5	14.5	232.5	13.7	218.7	12.7	204.9	11.9	195.9	11.3
	62	56	254.1	14.0	245.5	13.5	232.5	12.7	218.7	11.9	204.9	11.1	195.9	10.5
	67	61	254.9	13.0	245.5	12.5	232.5	11.8	218.7	11.1	204.9	10.4	195.9	9.9
	72	66	255.4	12.2	245.5	11.7	232.5	11.1	218.7	10.4	204.9	9.7	195.9	9.3
75	69	255.7	11.8	245.5	11.3	232.5	10.7	218.7	10.0	204.9	9.4	195.9	9.0	
80	74	256.2	11.1	245.5	10.6	232.5	10.1	218.7	9.5	204.9	8.9	195.9	8.5	
80%	-13	-14	132.0	13.2	131.7	13.5	131.3	13.9	131.0	14.3	130.7	14.7	130.5	15.0
	-8	-9	139.7	13.9	139.4	14.3	139.1	14.7	138.7	15.1	138.3	15.6	138.1	15.9
	-3	-4	151.1	14.9	150.8	15.4	150.4	15.8	150.0	16.2	149.6	16.7	149.4	17.0
	2	1	165.1	16.1	164.6	16.5	164.3	17.0	163.8	17.5	163.4	18.0	161.4	18.1
	7	6	180.5	17.3	180.1	17.8	179.6	18.2	178.2	18.6	172.5	18.6	168.9	18.7
	12	10	196.6	18.4	196.1	18.9	191.9	19.0	186.2	19.0	180.5	19.1	174.2	18.8
	17	15	211.1	19.2	205.4	19.2	200.0	19.3	194.3	19.3	182.1	18.6	174.2	18.2
	22	20	219.1	19.3	213.3	19.4	206.7	19.3	194.4	18.6	182.1	17.9	174.2	17.5
	27	24	226.6	19.3	218.2	19.1	206.7	18.5	194.4	17.9	182.1	17.2	174.2	16.8
	32	29	230.5	18.9	218.2	18.3	206.7	17.7	194.4	17.1	182.1	16.3	174.2	15.3
	37	34	230.5	18.0	218.2	17.5	206.7	16.9	194.4	15.9	182.1	14.6	174.2	13.8
	42	38	230.5	17.2	218.2	16.6	206.7	15.6	194.4	14.4	182.1	13.3	174.2	12.6
	47	43	230.5	16.2	218.2	15.1	206.7	14.2	194.4	13.1	182.1	12.1	174.2	11.5
	52	47	230.5	14.8	218.2	13.8	206.7	13.0	194.4	12.1	182.1	11.2	174.2	10.6
	57	52	230.5	13.5	218.2	12.7	206.7	12.0	194.4	11.2	182.1	10.4	174.2	9.9
	62	56	230.5	12.5	218.2	11.8	206.7	11.1	194.4	10.4	182.1	9.7	174.2	9.2
	67	61	230.5	11.6	218.2	11.0	206.7	10.4	194.4	9.7	182.1	9.1	174.2	8.7
	72	66	230.5	10.9	218.2	10.3	206.7	9.7	194.4	9.1	182.1	8.5	174.2	8.1
75	69	230.5	10.5	218.2	9.9	206.7	9.4	194.4	8.8	182.1	8.2	174.2	7.9	
80	74	230.5	9.8	218.2	9.3	206.7	8.8	194.4	8.3	182.1	7.8	174.2	7.4	

NOTE - Power Input = Compressor + Outdoor Fan Motor.  
 MBH = 1000 BTUs per hour.

# HEATING CAPACITY - TWO MODULE | VRB216H4

Combination (%)	Outdoor Temperature (°F)		Indoor Temperature - °F Dry Bulb											
			61		64		67		70		73		75	
			Total Cap.	Power Input	Total Cap.	Power Input	Total Cap.	Power Input	Total Cap.	Power Input	Total Cap.	Power Input	Total Cap.	Power Input
	Dry Bulb	Wet Bulb	MBH	kW	MBH	kW	MBH	kW	MBH	kW	MBH	kW	MBH	kW
70%	-13	-14	131.5	12.9	131.1	13.3	130.8	13.6	130.5	14.0	130.1	14.4	129.9	14.7
	-8	-9	139.2	13.7	138.8	14.0	138.5	14.4	138.1	14.8	137.8	15.3	137.6	15.6
	-3	-4	150.5	14.7	150.1	15.1	149.8	15.5	149.4	15.9	148.1	16.3	144.9	16.3
	2	1	164.4	15.8	164.0	16.2	163.6	16.7	159.6	16.8	154.6	16.8	151.4	16.9
	7	6	179.8	17.0	176.8	17.2	172.1	17.2	167.1	17.3	159.4	17.0	152.4	16.6
	12	10	189.8	17.6	184.8	17.6	180.0	17.7	170.1	17.2	159.4	16.6	152.4	16.2
	17	15	197.9	17.8	191.0	17.7	180.8	17.2	170.1	16.7	159.4	16.1	152.4	15.7
	22	20	201.7	17.6	191.0	17.1	180.8	16.6	170.1	16.1	159.4	15.5	152.4	15.1
	27	24	201.7	17.0	191.0	16.5	180.8	16.0	170.1	15.4	159.4	14.8	152.4	14.4
	32	29	201.7	16.3	191.0	15.8	180.8	15.3	170.1	14.7	159.4	14.1	152.4	13.2
	37	34	201.7	15.6	191.0	15.1	180.8	14.6	170.1	13.8	159.4	12.6	152.4	11.9
	42	38	201.7	14.8	191.0	14.4	180.8	13.4	170.1	12.4	159.4	11.4	152.4	10.8
	47	43	201.7	14.0	191.0	13.1	180.8	12.2	170.1	11.3	159.4	10.5	152.4	9.9
	52	47	201.7	12.7	191.0	11.9	180.8	11.2	170.1	10.4	159.4	9.7	152.4	9.2
	57	52	201.7	11.7	191.0	11.0	180.8	10.3	170.1	9.6	159.4	9.0	152.4	8.5
	62	56	201.7	10.8	191.0	10.2	180.8	9.6	170.1	9.0	159.4	8.3	152.4	8.0
	67	61	201.7	10.0	191.0	9.5	180.8	8.9	170.1	8.4	159.4	7.8	152.4	7.5
	72	66	201.7	9.4	191.0	8.9	180.8	8.4	170.1	7.9	159.4	7.4	152.4	7.0
	75	69	201.7	9.0	191.0	8.5	180.8	8.1	170.1	7.6	159.4	7.1	152.4	6.8
	80	74	201.7	8.5	191.0	8.0	180.8	7.6	170.1	7.2	159.4	6.7	152.4	6.4
60%	-13	-14	130.9	12.7	130.6	13.0	130.3	13.4	130.0	13.8	129.2	14.1	126.4	14.2
	-8	-9	138.6	13.4	138.3	13.8	137.9	14.1	136.8	14.5	132.5	14.5	129.7	14.6
	-3	-4	149.9	14.4	149.5	14.8	146.2	14.9	141.9	15.0	136.6	14.9	130.6	14.6
	2	1	161.2	15.3	156.8	15.4	152.8	15.4	145.8	15.2	136.6	14.7	130.6	14.4
	7	6	168.6	15.8	163.7	15.8	155.0	15.4	145.8	14.9	136.6	14.4	130.6	14.1
	12	10	172.9	15.8	163.7	15.4	155.0	15.0	145.8	14.5	136.6	14.0	130.6	13.7
	17	15	172.9	15.4	163.7	15.0	155.0	14.6	145.8	14.1	136.6	13.6	130.6	13.2
	22	20	172.9	14.9	163.7	14.5	155.0	14.0	145.8	13.6	136.6	13.1	130.6	12.7
	27	24	172.9	14.3	163.7	13.9	155.0	13.5	145.8	13.0	136.6	12.5	130.6	12.2
	32	29	172.9	13.7	163.7	13.3	155.0	12.9	145.8	12.5	136.6	11.9	130.6	11.2
	37	34	172.9	13.1	163.7	12.7	155.0	12.3	145.8	11.6	136.6	10.7	130.6	10.1
	42	38	172.9	12.5	163.7	12.1	155.0	11.4	145.8	10.5	136.6	9.7	130.6	9.2
	47	43	172.9	11.8	163.7	11.0	155.0	10.3	145.8	9.6	136.6	8.9	130.6	8.4
	52	47	172.9	10.8	163.7	10.1	155.0	9.4	145.8	8.8	136.6	8.2	130.6	7.8
	57	52	172.9	9.9	163.7	9.3	155.0	8.7	145.8	8.1	136.6	7.6	130.6	7.2
	62	56	172.9	9.1	163.7	8.6	155.0	8.1	145.8	7.6	136.6	7.1	130.6	6.7
	67	61	172.9	8.5	163.7	8.0	155.0	7.6	145.8	7.1	136.6	6.6	130.6	6.3
	72	66	172.9	7.9	163.7	7.5	155.0	7.1	145.8	6.6	136.6	6.2	130.6	5.9
	75	69	172.9	7.6	163.7	7.2	155.0	6.8	145.8	6.4	136.6	6.0	130.6	5.7
	80	74	172.9	7.2	163.7	6.8	155.0	6.4	145.8	6.1	136.6	5.7	130.6	5.4
50%	-13	-14	130.4	12.5	129.4	12.7	126.0	12.8	121.5	12.7	113.8	12.3	108.9	12.0
	-8	-9	136.3	13.0	132.7	13.1	129.2	13.1	121.5	12.7	113.8	12.3	108.9	12.0
	-3	-4	141.4	13.5	136.4	13.4	129.2	13.1	121.5	12.7	113.8	12.2	108.9	12.0
	2	1	144.1	13.6	136.4	13.2	129.2	12.9	121.5	12.5	113.8	12.1	108.9	11.8
	7	6	144.1	13.3	136.4	13.0	129.2	12.6	121.5	12.2	113.8	11.8	108.9	11.6
	12	10	144.1	13.0	136.4	12.7	129.2	12.3	121.5	11.9	113.8	11.5	108.9	11.2
	17	15	144.1	12.7	136.4	12.3	129.2	12.0	121.5	11.6	113.8	11.2	108.9	10.9
	22	20	144.1	12.2	136.4	11.9	129.2	11.5	121.5	11.2	113.8	10.7	108.9	10.5
	27	24	144.1	11.8	136.4	11.4	129.2	11.1	121.5	10.7	113.8	10.3	108.9	10.0
	32	29	144.1	11.3	136.4	11.0	129.2	10.6	121.5	10.2	113.8	9.8	108.9	9.2
	37	34	144.1	10.8	136.4	10.5	129.2	10.1	121.5	9.5	113.8	8.8	108.9	8.3
	42	38	144.1	10.3	136.4	10.0	129.2	9.3	121.5	8.6	113.8	7.9	108.9	7.5
	47	43	144.1	9.7	136.4	9.1	129.2	8.5	121.5	7.9	113.8	7.3	108.9	6.9
	52	47	144.1	8.8	136.4	8.3	129.2	7.8	121.5	7.2	113.8	6.7	108.9	6.4
	57	52	144.1	8.1	136.4	7.6	129.2	7.2	121.5	6.7	113.8	6.2	108.9	5.9
	62	56	144.1	7.5	136.4	7.1	129.2	6.7	121.5	6.2	113.8	5.8	108.9	5.5
	67	61	144.1	7.0	136.4	6.6	129.2	6.2	121.5	5.8	113.8	5.4	108.9	5.2
	72	66	144.1	6.5	136.4	6.2	129.2	5.8	121.5	5.5	113.8	5.1	108.9	4.9
	75	69	144.1	6.3	136.4	5.9	129.2	5.6	121.5	5.3	113.8	4.9	108.9	4.7
	80	74	144.1	5.9	136.4	5.6	129.2	5.3	121.5	5.0	113.8	4.7	108.9	4.5

NOTE - Power Input = Compressor + Outdoor Fan Motor.  
 MBH = 1000 BTUs per hour.

# COOLING CAPACITY - TWO MODULE | VRB240H4

Combination (%)	Outdoor Temperature °F (Dry Bulb)	Indoor Temperature - °F (Dry Bulb / Wet Bulb)											
		67 / 57		71 / 60		75 / 63		80 / 67		85 / 71		90 / 75	
		Total Cap.	Power Input	Total Cap.	Power Input	Total Cap.	Power Input	Total Cap.	Power Input	Total Cap.	Power Input	Total Cap.	Power Input
		MBH	kW	MBH	kW	MBH	kW	MBH	kW	MBH	kW	MBH	kW
130%	-10	183.9	6.8	223.5	8.3	260.8	9.8	312.0	11.9	365.6	14.3	401.8	16.1
	-5	183.9	7.2	223.5	8.8	260.8	10.4	312.0	12.7	365.6	15.2	380.8	16.2
	10	183.9	7.3	223.5	9.0	260.8	10.6	312.0	13.0	365.6	15.5	373.4	16.3
	15	183.9	7.5	223.5	9.2	260.8	10.9	312.0	13.3	360.4	15.7	365.2	16.2
	20	183.9	7.7	223.5	9.4	260.8	11.1	312.0	13.5	352.1	15.6	356.9	16.2
	25	183.9	7.8	223.5	9.6	260.8	11.4	312.0	13.9	343.4	15.6	348.2	16.2
	30	183.9	8.0	223.5	9.9	260.8	11.6	312.0	14.2	335.1	15.6	339.9	16.2
	35	183.9	8.2	223.5	10.1	260.8	11.9	312.0	14.5	327.2	15.6	332.0	16.2
	40	183.9	8.4	223.5	10.3	260.8	12.2	312.0	14.9	322.2	15.7	327.0	16.3
	45	183.9	8.6	223.5	10.6	260.8	12.5	312.0	15.2	320.2	16.0	325.0	16.6
	50	183.9	8.8	223.5	10.9	260.8	12.8	312.0	15.6	318.6	16.3	323.4	17.0
	55	183.9	9.1	223.5	11.2	260.8	13.2	312.0	16.1	317.4	16.7	322.2	17.4
	60	183.9	9.3	223.5	11.5	260.8	13.5	312.0	16.5	317.8	17.2	321.2	17.8
	65	183.9	9.6	223.5	11.8	260.8	13.9	312.0	17.0	314.1	17.5	320.2	18.2
	70	183.9	10.4	223.5	12.8	260.8	15.1	312.0	18.4	312.8	18.9	318.8	19.7
	75	183.9	11.4	223.5	14.1	260.8	16.6	306.1	19.9	310.9	20.6	316.8	21.5
	80	183.9	12.6	223.5	15.4	260.8	18.2	303.0	21.6	307.8	22.4	313.7	23.4
	85	183.9	13.8	223.5	16.9	260.8	20.0	298.3	23.3	303.1	24.2	308.9	25.3
	90	183.9	15.1	223.5	18.6	260.8	21.9	291.4	25.0	296.2	25.9	301.9	27.1
	95	183.9	16.5	223.5	20.3	260.8	23.9	265.9	24.9	270.7	25.9	275.5	27.0
100	183.9	17.9	223.5	22.0	248.2	24.8	253.0	25.7	257.8	26.8	262.8	28.0	
105	183.9	19.4	223.5	23.8	229.5	24.7	234.3	25.7	241.3	27.1	245.9	28.3	
110	183.9	20.7	200.8	22.9	205.6	23.7	213.5	25.1	219.9	26.4	224.1	27.6	
115	169.4	20.2	174.2	21.0	180.2	22.0	187.1	23.3	192.7	24.5	196.4	25.6	
118	149.8	18.4	156.4	19.4	161.8	20.3	168.0	21.5	173.0	22.6	176.3	23.6	
125	101.6	13.0	106.1	13.7	109.8	14.4	114.0	15.2	117.4	16.0	119.7	16.7	
120%	-10	169.8	6.1	206.3	7.5	240.7	8.9	288.0	10.9	337.4	13.0	384.7	15.2
	-5	169.8	6.5	206.3	8.0	240.7	9.5	288.0	11.5	337.4	13.8	374.4	15.7
	10	169.8	6.7	206.3	8.2	240.7	9.7	288.0	11.8	337.4	14.1	367.0	15.7
	15	169.8	6.8	206.3	8.4	240.7	9.9	288.0	12.0	337.4	14.4	358.8	15.7
	20	169.8	7.0	206.3	8.6	240.7	10.1	288.0	12.3	337.4	14.7	350.6	15.7
	25	169.8	7.1	206.3	8.7	240.7	10.3	288.0	12.6	337.4	15.1	342.0	15.7
	30	169.8	7.3	206.3	9.0	240.7	10.6	288.0	12.9	329.0	15.0	333.8	15.6
	35	169.8	7.5	206.3	9.2	240.7	10.8	288.0	13.2	321.2	15.0	326.0	15.6
	40	169.8	7.6	206.3	9.4	240.7	11.1	288.0	13.5	316.1	15.2	320.9	15.8
	45	169.8	7.8	206.3	9.6	240.7	11.4	288.0	13.9	314.0	15.4	318.8	16.1
	50	169.8	8.0	206.3	9.9	240.7	11.7	288.0	14.2	312.5	15.8	317.3	16.4
	55	169.8	8.2	206.3	10.1	240.7	12.0	288.0	14.6	311.3	16.1	316.1	16.8
	60	169.8	8.5	206.3	10.4	240.7	12.3	288.0	15.0	311.5	16.6	315.1	17.2
	65	169.8	8.7	206.3	10.7	240.7	12.6	288.0	15.4	308.2	16.9	314.1	17.6
	70	169.8	9.5	206.3	11.6	240.7	13.7	288.0	16.8	306.9	18.3	312.8	19.1
	75	169.8	10.4	206.3	12.8	240.7	15.1	288.0	18.4	305.0	19.9	310.9	20.8
	80	169.8	11.4	206.3	14.0	240.7	16.6	288.0	20.2	302.0	21.7	307.8	22.6
	85	169.8	12.5	206.3	15.4	240.7	18.2	288.0	22.2	297.4	23.4	303.1	24.4
	90	169.8	13.7	206.3	16.9	240.7	19.9	288.0	24.3	290.7	25.1	296.2	26.2
	95	169.8	15.0	206.3	18.4	240.7	21.8	265.9	24.5	270.7	25.5	275.5	26.6
100	169.8	16.3	206.3	20.0	240.7	23.7	253.0	25.3	257.8	26.4	262.8	27.5	
105	169.8	17.6	206.3	21.6	229.5	24.3	234.3	25.3	241.3	26.7	245.9	27.8	
110	169.8	18.8	200.8	22.5	205.6	23.3	213.5	24.7	219.9	26.0	224.1	27.1	
115	169.8	19.9	174.2	20.7	180.2	21.6	187.1	22.9	192.7	24.1	196.4	25.2	
118	149.8	18.1	156.4	19.1	161.8	20.0	168.0	21.1	173.0	22.3	176.3	23.2	
125	101.6	12.8	106.1	13.5	109.8	14.1	114.0	15.0	117.4	15.8	119.7	16.4	

NOTE - Power Input = Compressor + Outdoor Fan Motor.  
 MBH = 1000 BTUs per hour.

# COOLING CAPACITY - TWO MODULE | VRB240H4

Combination (%)	Outdoor Temperature °F (Dry Bulb)	Indoor Temperature - °F (Dry Bulb / Wet Bulb)											
		67 / 57		71 / 60		75 / 63		80 / 67		85 / 71		90 / 75	
		Total Cap.	Power Input	Total Cap.	Power Input	Total Cap.	Power Input	Total Cap.	Power Input	Total Cap.	Power Input	Total Cap.	Power Input
		MBH	KW	MBH	KW	MBH	KW	MBH	KW	MBH	KW	MBH	KW
110%	-10	155.6	5.5	189.1	6.8	220.7	8.0	264.0	9.8	309.3	11.7	352.7	13.7
	-5	155.6	5.9	189.1	7.2	220.7	8.5	264.0	10.4	309.3	12.5	352.7	14.6
	10	155.6	6.0	189.1	7.4	220.7	8.7	264.0	10.6	309.3	12.7	352.7	14.9
	15	155.6	6.1	189.1	7.6	220.7	8.9	264.0	10.9	309.3	13.0	352.5	15.2
	20	155.6	6.3	189.1	7.7	220.7	9.1	264.0	11.1	309.3	13.3	344.3	15.2
	25	155.6	6.4	189.1	7.9	220.7	9.3	264.0	11.4	309.3	13.6	335.8	15.1
	30	155.6	6.6	189.1	8.1	220.7	9.5	264.0	11.6	309.3	13.9	327.6	15.1
	35	155.6	6.7	189.1	8.3	220.7	9.8	264.0	11.9	309.3	14.3	319.9	15.1
	40	155.6	6.9	189.1	8.5	220.7	10.0	264.0	12.2	309.3	14.6	314.7	15.2
	45	155.6	7.1	189.1	8.7	220.7	10.3	264.0	12.5	309.3	15.0	312.7	15.5
	50	155.6	7.3	189.1	8.9	220.7	10.5	264.0	12.8	309.3	15.4	311.2	15.8
	55	155.6	7.4	189.1	9.2	220.7	10.8	264.0	13.2	309.3	15.8	310.0	16.2
	60	155.6	7.6	189.1	9.4	220.7	11.1	264.0	13.5	305.1	16.0	309.0	16.6
	65	155.6	7.9	189.1	9.7	220.7	11.4	264.0	13.9	302.3	16.3	308.1	17.0
	70	155.6	8.6	189.1	10.5	220.7	12.4	264.0	15.1	301.0	17.6	306.8	18.4
	75	155.6	9.4	189.1	11.5	220.7	13.6	264.0	16.6	299.1	19.2	304.9	20.1
	80	155.6	10.3	189.1	12.7	220.7	15.0	264.0	18.2	296.2	20.9	301.9	21.8
	85	155.6	11.3	189.1	13.9	220.7	16.4	264.0	20.0	291.7	22.6	297.3	23.6
	90	155.6	12.4	189.1	15.2	220.7	18.0	264.0	21.9	285.1	24.2	290.5	25.3
	95	155.6	13.5	189.1	16.6	220.7	19.6	264.0	23.9	270.7	25.1	275.5	26.2
100	155.6	14.7	189.1	18.1	220.7	21.4	257.0	25.3	257.8	26.0	262.8	27.1	
105	155.6	15.9	189.1	19.5	220.7	23.1	234.3	24.9	241.3	26.3	245.9	27.4	
110	155.6	17.0	189.1	20.9	205.6	23.0	213.5	24.3	219.9	25.6	224.1	26.7	
115	155.6	18.0	174.2	20.4	180.2	21.3	187.1	22.6	192.7	23.7	196.4	24.8	
118	149.8	17.8	156.4	18.8	161.8	19.7	168.0	20.8	173.0	21.9	176.3	22.9	
125	101.6	12.6	106.1	13.3	109.8	13.9	114.0	14.7	117.4	15.5	119.7	16.2	
100%	-10	141.5	5.0	171.9	6.1	200.6	7.2	240.0	8.8	281.2	10.5	320.6	12.3
	-5	141.5	5.3	171.9	6.5	200.6	7.7	240.0	9.3	281.2	11.2	320.6	13.0
	10	141.5	5.4	171.9	6.6	200.6	7.8	240.0	9.5	281.2	11.4	320.6	13.3
	15	141.5	5.5	171.9	6.8	200.6	8.0	240.0	9.7	281.2	11.7	320.6	13.6
	20	141.5	5.6	171.9	6.9	200.6	8.2	240.0	9.9	281.2	11.9	320.3	13.9
	25	141.5	5.8	171.9	7.1	200.6	8.4	240.0	10.2	281.2	12.2	317.0	14.1
	30	141.5	5.9	171.9	7.2	200.6	8.5	240.0	10.4	281.2	12.5	313.8	14.3
	35	141.5	6.0	171.9	7.4	200.6	8.8	240.0	10.7	281.2	12.8	310.9	14.5
	40	141.5	6.2	171.9	7.6	200.6	9.0	240.0	10.9	281.2	13.1	308.5	14.7
	45	141.5	6.3	171.9	7.8	200.6	9.2	240.0	11.2	281.2	13.4	306.6	15.0
	50	141.5	6.5	171.9	8.0	200.6	9.4	240.0	11.5	281.2	13.8	305.1	15.3
	55	141.5	6.7	171.9	8.2	200.6	9.7	240.0	11.8	281.2	14.1	303.9	15.6
	60	141.5	6.8	171.9	8.4	200.6	9.9	240.0	12.1	281.2	14.5	303.0	16.0
	65	141.5	7.0	171.9	8.7	200.6	10.2	240.0	12.5	281.2	14.9	302.0	16.4
	70	141.5	7.7	171.9	9.4	200.6	11.1	240.0	13.5	281.2	16.2	300.8	17.8
	75	141.5	8.4	171.9	10.3	200.6	12.2	240.0	14.9	281.2	17.8	298.9	19.4
	80	141.5	9.2	171.9	11.3	200.6	13.4	240.0	16.3	281.2	19.6	296.0	21.1
	85	141.5	10.1	171.9	12.4	200.6	14.7	240.0	17.9	281.2	21.5	291.4	22.8
	90	141.5	11.1	171.9	13.6	200.6	16.1	240.0	19.6	279.5	23.4	284.8	24.4
	95	141.5	12.1	171.9	14.9	200.6	17.6	240.0	21.4	270.3	24.7	275.5	25.8
100	141.5	13.2	171.9	16.2	200.6	19.1	240.0	23.3	257.8	25.6	262.8	26.7	
105	141.5	14.2	171.9	17.5	200.6	20.6	234.3	24.6	241.3	25.9	245.9	27.0	
110	141.5	15.2	171.9	18.7	200.6	22.1	213.5	24.0	219.9	25.2	224.1	26.3	
115	141.5	16.1	171.9	19.8	180.2	21.0	187.1	22.2	192.7	23.4	196.4	24.4	
118	141.5	16.6	156.4	18.5	161.8	19.4	168.0	20.5	173.0	21.6	176.3	22.5	
125	101.6	12.4	106.1	13.1	109.8	13.7	114.0	14.5	117.4	15.3	119.7	16.0	

NOTE - Power Input = Compressor + Outdoor Fan Motor.  
MBH = 1000 BTUs per hour.

# COOLING CAPACITY - TWO MODULE | VRB240H4

Combination (%)	Outdoor Temperature °F (Dry Bulb)	Indoor Temperature - °F (Dry Bulb / Wet Bulb)											
		67 / 57		71 / 60		75 / 63		80 / 67		85 / 71		90 / 75	
		Total Cap.	Power Input	Total Cap.	Power Input	Total Cap.	Power Input	Total Cap.	Power Input	Total Cap.	Power Input	Total Cap.	Power Input
		MBH	kW	MBH	kW	MBH	kW	MBH	kW	MBH	kW	MBH	kW
90%	-10	127.3	4.4	154.7	5.4	180.5	6.4	216.0	7.8	253.1	9.3	288.5	10.9
	-5	127.3	4.7	154.7	5.7	180.5	6.8	216.0	8.3	253.1	9.9	288.5	11.6
	10	127.3	4.8	154.7	5.9	180.5	6.9	216.0	8.4	253.1	10.1	288.5	11.8
	15	127.3	4.9	154.7	6.0	180.5	7.1	216.0	8.6	253.1	10.3	288.5	12.1
	20	127.3	5.0	154.7	6.1	180.5	7.2	216.0	8.8	253.1	10.6	288.5	12.3
	25	127.3	5.1	154.7	6.3	180.5	7.4	216.0	9.0	253.1	10.8	288.5	12.6
	30	127.3	5.2	154.7	6.4	180.5	7.6	216.0	9.2	253.1	11.1	288.5	12.9
	35	127.3	5.3	154.7	6.6	180.5	7.8	216.0	9.5	253.1	11.3	288.5	13.2
	40	127.3	5.5	154.7	6.7	180.5	7.9	216.0	9.7	253.1	11.6	288.5	13.6
	45	127.3	5.6	154.7	6.9	180.5	8.1	216.0	9.9	253.1	11.9	288.5	13.9
	50	127.3	5.8	154.7	7.1	180.5	8.4	216.0	10.2	253.1	12.2	288.5	14.3
	55	127.3	5.9	154.7	7.3	180.5	8.6	216.0	10.5	253.1	12.5	288.5	14.6
	60	127.3	6.1	154.7	7.5	180.5	8.8	216.0	10.7	253.1	12.9	288.5	15.0
	65	127.3	6.2	154.7	7.7	180.5	9.1	216.0	11.0	253.1	13.2	288.5	15.4
	70	127.3	6.8	154.7	8.3	180.5	9.9	216.0	12.0	253.1	14.4	288.5	16.8
	75	127.3	7.5	154.7	9.2	180.5	10.8	216.0	13.2	253.1	15.8	288.5	18.4
	80	127.3	8.2	154.7	10.1	180.5	11.9	216.0	14.5	253.1	17.3	288.5	20.2
	85	127.3	9.0	154.7	11.0	180.5	13.0	216.0	15.9	253.1	19.0	285.6	22.0
	90	127.3	9.8	154.7	12.1	180.5	14.3	216.0	17.4	253.1	20.8	279.1	23.5
	95	127.3	10.7	154.7	13.2	180.5	15.6	216.0	19.0	253.1	22.8	275.5	25.4
100	127.3	11.7	154.7	14.4	180.5	17.0	216.0	20.7	252.7	24.7	262.8	26.3	
105	127.3	12.6	154.7	15.5	180.5	18.3	216.0	22.3	241.3	25.5	245.9	26.6	
110	127.3	13.5	154.7	16.6	180.5	19.6	213.5	23.6	219.9	24.8	224.1	25.9	
115	127.3	14.3	154.7	17.6	180.2	20.7	187.1	21.9	192.7	23.0	196.4	24.0	
118	127.3	14.7	154.7	18.0	161.8	19.1	168.0	20.2	173.0	21.3	176.3	22.2	
125	101.6	12.2	106.1	12.9	109.8	13.5	114.0	14.3	117.4	15.1	119.7	15.7	
80%	-10	113.2	3.9	137.6	4.7	160.5	5.6	192.0	6.8	225.0	8.2	256.5	9.5
	-5	113.2	4.1	137.6	5.0	160.5	5.9	192.0	7.2	225.0	8.7	256.5	10.1
	10	113.2	4.2	137.6	5.1	160.5	6.1	192.0	7.4	225.0	8.9	256.5	10.4
	15	113.2	4.3	137.6	5.3	160.5	6.2	192.0	7.6	225.0	9.1	256.5	10.6
	20	113.2	4.4	137.6	5.4	160.5	6.3	192.0	7.7	225.0	9.3	256.5	10.8
	25	113.2	4.5	137.6	5.5	160.5	6.5	192.0	7.9	225.0	9.5	256.5	11.1
	30	113.2	4.6	137.6	5.6	160.5	6.6	192.0	8.1	225.0	9.7	256.5	11.3
	35	113.2	4.7	137.6	5.8	160.5	6.8	192.0	8.3	225.0	9.9	256.5	11.6
	40	113.2	4.8	137.6	5.9	160.5	7.0	192.0	8.5	225.0	10.2	256.5	11.9
	45	113.2	4.9	137.6	6.0	160.5	7.1	192.0	8.7	225.0	10.4	256.5	12.2
	50	113.2	5.0	137.6	6.2	160.5	7.3	192.0	8.9	225.0	10.7	256.5	12.5
	55	113.2	5.2	137.6	6.4	160.5	7.5	192.0	9.2	225.0	11.0	256.5	12.8
	60	113.2	5.3	137.6	6.5	160.5	7.7	192.0	9.4	225.0	11.3	256.5	13.2
	65	113.2	5.5	137.6	6.7	160.5	7.9	192.0	9.7	225.0	11.6	256.5	13.5
	70	113.2	5.9	137.6	7.3	160.5	8.6	192.0	10.5	225.0	12.6	256.5	14.7
	75	113.2	6.5	137.6	8.0	160.5	9.5	192.0	11.5	225.0	13.8	256.5	16.2
	80	113.2	7.2	137.6	8.8	160.5	10.4	192.0	12.7	225.0	15.2	256.5	17.7
	85	113.2	7.9	137.6	9.7	160.5	11.4	192.0	13.9	225.0	16.7	256.5	19.5
	90	113.2	8.6	137.6	10.6	160.5	12.5	192.0	15.2	225.0	18.3	256.5	21.3
	95	113.2	9.4	137.6	11.6	160.5	13.7	192.0	16.6	225.0	19.9	256.5	23.3
100	113.2	10.2	137.6	12.6	160.5	14.8	192.0	18.1	225.0	21.7	256.5	25.3	
105	113.2	11.0	137.6	13.6	160.5	16.0	192.0	19.5	225.0	23.4	245.9	26.2	
110	113.2	11.8	137.6	14.5	160.5	17.2	192.0	20.9	219.9	24.5	224.1	25.6	
115	113.2	12.5	137.6	15.4	160.5	18.2	187.1	21.6	192.7	22.7	196.4	23.7	
118	113.2	12.9	137.6	15.8	160.5	18.7	168.0	19.9	173.0	21.0	176.3	21.9	
125	101.6	12.0	106.1	12.7	109.8	13.3	114.0	14.1	117.4	14.8	119.7	15.5	

NOTE - Power Input = Compressor + Outdoor Fan Motor.  
 MBH = 1000 BTUs per hour.

# COOLING CAPACITY - TWO MODULE | VRB240H4

Combination (%)	Outdoor Temperature °F (Dry Bulb)	Indoor Temperature - °F (Dry Bulb / Wet Bulb)											
		67 / 57		71 / 60		75 / 63		80 / 67		85 / 71		90 / 75	
		Total Cap.	Power Input	Total Cap.	Power Input	Total Cap.	Power Input	Total Cap.	Power Input	Total Cap.	Power Input	Total Cap.	Power Input
		MBH	KW	MBH	KW	MBH	KW	MBH	KW	MBH	KW	MBH	KW
70%	-10	99.0	3.3	120.4	4.1	140.4	4.8	168.0	5.9	196.8	7.0	224.4	8.2
	-5	99.0	3.5	120.4	4.3	140.4	5.1	168.0	6.2	196.8	7.5	224.4	8.7
	10	99.0	3.6	120.4	4.4	140.4	5.2	168.0	6.4	196.8	7.6	224.4	8.9
	15	99.0	3.7	120.4	4.5	140.4	5.4	168.0	6.5	196.8	7.8	224.4	9.1
	20	99.0	3.8	120.4	4.6	140.4	5.5	168.0	6.7	196.8	8.0	224.4	9.3
	25	99.0	3.9	120.4	4.7	140.4	5.6	168.0	6.8	196.8	8.2	224.4	9.5
	30	99.0	3.9	120.4	4.8	140.4	5.7	168.0	7.0	196.8	8.4	224.4	9.8
	35	99.0	4.0	120.4	5.0	140.4	5.9	168.0	7.1	196.8	8.6	224.4	10.0
	40	99.0	4.1	120.4	5.1	140.4	6.0	168.0	7.3	196.8	8.8	224.4	10.2
	45	99.0	4.2	120.4	5.2	140.4	6.2	168.0	7.5	196.8	9.0	224.4	10.5
	50	99.0	4.4	120.4	5.3	140.4	6.3	168.0	7.7	196.8	9.2	224.4	10.8
	55	99.0	4.5	120.4	5.5	140.4	6.5	168.0	7.9	196.8	9.5	224.4	11.1
	60	99.0	4.6	120.4	5.6	140.4	6.7	168.0	8.1	196.8	9.7	224.4	11.4
	65	99.0	4.7	120.4	5.8	140.4	6.8	168.0	8.3	196.8	10.0	224.4	11.7
	70	99.0	5.1	120.4	6.3	140.4	7.4	168.0	9.1	196.8	10.9	224.4	12.7
	75	99.0	5.6	120.4	6.9	140.4	8.2	168.0	10.0	196.8	11.9	224.4	13.9
	80	99.0	6.2	120.4	7.6	140.4	9.0	168.0	10.9	196.8	13.1	224.4	15.3
	85	99.0	6.8	120.4	8.3	140.4	9.8	168.0	12.0	196.8	14.4	224.4	16.8
	90	99.0	7.4	120.4	9.1	140.4	10.8	168.0	13.1	196.8	15.7	224.4	18.4
	95	99.0	8.1	120.4	10.0	140.4	11.8	168.0	14.4	196.8	17.2	224.4	20.1
100	99.0	8.8	120.4	10.8	140.4	12.8	168.0	15.6	196.8	18.7	224.4	21.8	
105	99.0	9.5	120.4	11.7	140.4	13.8	168.0	16.9	196.8	20.2	224.4	23.6	
110	99.0	10.2	120.4	12.5	140.4	14.8	168.0	18.0	196.8	21.6	224.1	25.2	
115	99.0	10.8	120.4	13.3	140.4	15.7	168.0	19.1	192.7	22.4	196.4	23.4	
118	99.0	11.1	120.4	13.6	140.4	16.1	168.0	19.6	173.0	20.7	176.3	21.6	
125	95.5	11.2	106.1	12.5	109.8	13.1	114.0	13.9	117.4	14.6	119.7	15.3	
60%	-10	84.9	2.8	103.2	3.5	120.4	4.1	144.0	5.0	168.7	6.0	192.4	6.9
	-5	84.9	3.0	103.2	3.7	120.4	4.3	144.0	5.3	168.7	6.3	192.4	7.4
	10	84.9	3.0	103.2	3.7	120.4	4.4	144.0	5.4	168.7	6.5	192.4	7.5
	15	84.9	3.1	103.2	3.8	120.4	4.5	144.0	5.5	168.7	6.6	192.4	7.7
	20	84.9	3.2	103.2	3.9	120.4	4.6	144.0	5.6	168.7	6.7	192.4	7.9
	25	84.9	3.3	103.2	4.0	120.4	4.7	144.0	5.8	168.7	6.9	192.4	8.1
	30	84.9	3.3	103.2	4.1	120.4	4.8	144.0	5.9	168.7	7.1	192.4	8.2
	35	84.9	3.4	103.2	4.2	120.4	5.0	144.0	6.0	168.7	7.2	192.4	8.4
	40	84.9	3.5	103.2	4.3	120.4	5.1	144.0	6.2	168.7	7.4	192.4	8.7
	45	84.9	3.6	103.2	4.4	120.4	5.2	144.0	6.3	168.7	7.6	192.4	8.9
	50	84.9	3.7	103.2	4.5	120.4	5.3	144.0	6.5	168.7	7.8	192.4	9.1
	55	84.9	3.8	103.2	4.6	120.4	5.5	144.0	6.7	168.7	8.0	192.4	9.3
	60	84.9	3.9	103.2	4.8	120.4	5.6	144.0	6.9	168.7	8.2	192.4	9.6
	65	84.9	4.0	103.2	4.9	120.4	5.8	144.0	7.0	168.7	8.4	192.4	9.9
	70	84.9	4.3	103.2	5.3	120.4	6.3	144.0	7.7	168.7	9.2	192.4	10.7
	75	84.9	4.8	103.2	5.8	120.4	6.9	144.0	8.4	168.7	10.1	192.4	11.8
	80	84.9	5.2	103.2	6.4	120.4	7.6	144.0	9.2	168.7	11.1	192.4	12.9
	85	84.9	5.7	103.2	7.0	120.4	8.3	144.0	10.1	168.7	12.1	192.4	14.2
	90	84.9	6.3	103.2	7.7	120.4	9.1	144.0	11.1	168.7	13.3	192.4	15.5
	95	84.9	6.9	103.2	8.4	120.4	10.0	144.0	12.1	168.7	14.5	192.4	17.0
100	84.9	7.5	103.2	9.2	120.4	10.8	144.0	13.2	168.7	15.8	192.4	18.4	
105	84.9	8.1	103.2	9.9	120.4	11.7	144.0	14.2	168.7	17.1	192.4	19.9	
110	84.9	8.6	103.2	10.6	120.4	12.5	144.0	15.2	168.7	18.3	192.4	21.3	
115	84.9	9.1	103.2	11.2	120.4	13.2	144.0	16.1	168.7	19.3	192.4	22.6	
118	84.9	9.4	103.2	11.5	120.4	13.6	144.0	16.6	168.7	19.9	176.3	21.3	
125	84.9	9.8	103.2	12.0	109.8	12.9	114.0	13.7	117.4	14.4	119.7	15.0	

NOTE - Power Input = Compressor + Outdoor Fan Motor.  
 MBH = 1000 BTUs per hour.



## COOLING CAPACITY - TWO MODULE | VRB240H4

Combination (%)	Outdoor Temperature °F (Dry Bulb)	Indoor Temperature - °F (Dry Bulb / Wet Bulb)											
		67 / 57		71 / 60		75 / 63		80 / 67		85 / 71		90 / 75	
		Total Cap.	Power Input	Total Cap.	Power Input	Total Cap.	Power Input	Total Cap.	Power Input	Total Cap.	Power Input	Total Cap.	Power Input
		MBH	kW	MBH	kW	MBH	kW	MBH	kW	MBH	kW	MBH	kW
50%	-10	65.3	2.1	86.0	2.8	100.3	3.3	120.0	4.1	140.6	4.9	160.3	5.7
	-5	70.7	2.5	86.0	3.0	100.3	3.6	120.0	4.3	140.6	5.2	160.3	6.1
	10	70.7	2.5	86.0	3.1	100.3	3.6	120.0	4.4	140.6	5.3	160.3	6.2
	15	70.7	2.6	86.0	3.1	100.3	3.7	120.0	4.5	140.6	5.4	160.3	6.3
	20	70.7	2.6	86.0	3.2	100.3	3.8	120.0	4.6	140.6	5.5	160.3	6.5
	25	70.7	2.7	86.0	3.3	100.3	3.9	120.0	4.7	140.6	5.7	160.3	6.6
	30	70.7	2.7	86.0	3.4	100.3	4.0	120.0	4.8	140.6	5.8	160.3	6.8
	35	70.7	2.8	86.0	3.4	100.3	4.1	120.0	5.0	140.6	5.9	160.3	6.9
	40	70.7	2.9	86.0	3.5	100.3	4.2	120.0	5.1	140.6	6.1	160.3	7.1
	45	70.7	2.9	86.0	3.6	100.3	4.3	120.0	5.2	140.6	6.2	160.3	7.3
	50	70.7	3.0	86.0	3.7	100.3	4.4	120.0	5.3	140.6	6.4	160.3	7.5
	55	70.7	3.1	86.0	3.8	100.3	4.5	120.0	5.5	140.6	6.6	160.3	7.7
	60	70.7	3.2	86.0	3.9	100.3	4.6	120.0	5.6	140.6	6.7	160.3	7.9
	65	70.7	3.3	86.0	4.0	100.3	4.8	120.0	5.8	140.6	6.9	160.3	8.1
	70	70.7	3.6	86.0	4.4	100.3	5.2	120.0	6.3	140.6	7.5	160.3	8.8
	75	70.7	3.9	86.0	4.8	100.3	5.7	120.0	6.9	140.6	8.3	160.3	9.7
	80	70.7	4.3	86.0	5.3	100.3	6.2	120.0	7.6	140.6	9.1	160.3	10.6
	85	70.7	4.7	86.0	5.8	100.3	6.8	120.0	8.3	140.6	10.0	160.3	11.7
90	70.7	5.2	86.0	6.3	100.3	7.5	120.0	9.1	140.6	10.9	160.3	12.8	
95	70.7	5.6	86.0	6.9	100.3	8.2	120.0	10.0	140.6	11.9	160.3	13.9	
100	70.7	6.1	86.0	7.5	100.3	8.9	120.0	10.8	140.6	13.0	160.3	15.2	
105	70.7	6.6	86.0	8.1	100.3	9.6	120.0	11.7	140.6	14.0	160.3	16.4	
110	70.7	7.1	86.0	8.7	100.3	10.3	120.0	12.5	140.6	15.0	160.3	17.5	
115	70.7	7.5	86.0	9.2	100.3	10.9	120.0	13.2	140.6	15.9	160.3	18.5	
118	70.7	7.7	86.0	9.5	100.3	11.2	120.0	13.6	140.6	16.3	160.3	19.1	
125	70.7	8.0	86.0	9.9	100.3	11.7	114.0	13.5	117.4	14.2	119.7	14.8	

NOTE - Power Input = Compressor + Outdoor Fan Motor.  
 MBH = 1000 BTUs per hour.

# HEATING CAPACITY - TWO MODULE | VRB240H4

Combination (%)	Outdoor Temperature (°F)		Indoor Temperature - °F Dry Bulb											
			61		64		67		70		73		75	
			Total Cap.	Power Input	Total Cap.	Power Input	Total Cap.	Power Input	Total Cap.	Power Input	Total Cap.	Power Input	Total Cap.	Power Input
	Dry Bulb	Wet Bulb	MBH	kW	MBH	kW	MBH	kW	MBH	kW	MBH	kW	MBH	kW
130%	-13	-14	142.3	17.1	142.0	17.6	141.6	18.0	141.2	18.6	140.9	19.1	140.6	19.5
	-8	-9	149.2	17.9	148.8	18.4	148.4	18.9	148.0	19.5	147.7	20.0	147.4	20.4
	-3	-4	159.9	19.1	159.5	19.6	159.1	20.1	158.7	20.7	158.3	21.3	158.0	21.7
	2	1	173.4	20.5	173.0	21.0	172.6	21.6	172.1	22.2	171.7	22.8	171.4	23.3
	7	6	188.8	21.9	188.3	22.5	187.9	23.0	187.4	23.7	186.9	24.3	186.6	24.8
	12	10	205.2	23.2	204.6	23.8	204.1	24.4	203.6	25.1	203.1	25.8	202.8	26.2
	17	15	221.8	24.4	221.2	25.0	220.7	25.6	220.1	26.2	219.5	26.9	219.2	27.4
	22	20	237.9	25.3	237.3	25.9	236.8	26.5	236.2	27.2	235.6	27.9	235.2	28.3
	27	24	253.2	25.9	252.5	26.5	251.9	27.1	251.3	27.7	250.6	28.4	250.2	28.9
	32	29	267.1	26.2	266.4	26.8	265.8	27.4	265.1	28.0	264.5	28.4	264.0	27.9
	37	34	279.3	26.2	278.6	26.8	277.9	27.3	277.4	27.3	276.8	26.7	276.3	26.3
	42	38	289.7	25.9	289.1	26.5	288.6	26.1	288.0	25.6	287.5	25.1	287.0	24.8
	47	43	307.7	25.9	307.1	25.6	306.6	25.2	306.1	24.8	305.5	24.5	305.0	24.2
	52	47	338.7	26.0	338.1	25.7	337.6	25.4	337.0	25.1	328.8	24.3	314.5	23.0
	57	52	368.5	26.0	368.0	25.7	367.4	25.5	351.0	24.2	328.8	22.5	314.5	21.4
	62	56	397.1	25.9	394.1	25.5	373.2	24.1	351.0	22.5	328.8	21.0	314.5	20.0
	67	61	416.2	25.2	394.1	23.8	373.2	22.4	351.0	21.0	328.8	19.6	314.5	18.7
	72	66	416.2	23.6	394.1	22.3	373.2	21.0	351.0	19.8	328.8	18.5	314.5	17.6
	75	69	416.2	22.7	394.1	21.4	373.2	20.3	351.0	19.1	328.8	17.8	314.5	17.0
	80	74	416.2	21.3	394.1	20.2	373.2	19.1	351.0	18.0	328.8	16.9	314.5	16.1
120%	-13	-14	141.8	16.8	141.4	17.2	141.0	17.7	140.7	18.2	140.3	18.7	140.1	19.1
	-8	-9	148.6	17.6	148.2	18.1	147.8	18.5	147.4	19.1	147.1	19.6	146.8	20.0
	-3	-4	159.2	18.7	158.8	19.2	158.5	19.7	158.0	20.3	157.6	20.9	157.4	21.3
	2	1	172.7	20.1	172.3	20.6	171.9	21.1	171.4	21.7	171.0	22.4	170.7	22.8
	7	6	188.1	21.5	187.6	22.0	187.1	22.6	186.6	23.2	186.2	23.9	185.8	24.3
	12	10	204.4	22.8	203.8	23.3	203.3	23.9	202.8	24.6	202.3	25.3	202.0	25.7
	17	15	220.9	23.9	220.3	24.5	219.8	25.1	219.2	25.7	218.7	26.4	218.3	26.9
	22	20	237.0	24.8	236.4	25.4	235.8	26.0	235.2	26.6	234.6	27.3	234.2	27.8
	27	24	252.2	25.4	251.6	26.0	250.9	26.6	250.3	27.2	249.7	27.9	249.2	28.3
	32	29	266.0	25.7	265.3	26.3	264.7	26.8	264.0	27.4	263.5	27.9	262.9	27.4
	37	34	278.2	25.7	277.5	26.2	276.8	26.8	276.3	26.8	275.7	26.2	275.2	25.8
	42	38	288.5	25.4	288.0	25.9	287.4	25.6	286.9	25.1	286.3	24.7	285.8	24.4
	47	43	307.7	25.5	307.1	25.2	306.6	24.8	306.1	24.4	303.5	23.9	290.3	22.7
	52	47	338.7	25.6	338.1	25.3	337.6	25.0	324.0	23.8	303.5	22.0	290.3	20.9
	57	52	368.5	25.6	363.7	25.1	344.5	23.6	324.0	22.0	303.5	20.4	290.3	19.5
	62	56	384.2	24.6	363.7	23.2	344.5	21.9	324.0	20.5	303.5	19.1	290.3	18.2
	67	61	384.2	22.9	363.7	21.6	344.5	20.4	324.0	19.1	303.5	17.9	290.3	17.0
	72	66	384.2	21.4	363.7	20.2	344.5	19.1	324.0	18.0	303.5	16.8	290.3	16.0
	75	69	384.2	20.6	363.7	19.5	344.5	18.4	324.0	17.3	303.5	16.2	290.3	15.5
	80	74	384.2	19.4	363.7	18.3	344.5	17.4	324.0	16.4	303.5	15.3	290.3	14.7
110%	-13	-14	141.2	16.5	140.8	16.9	140.5	17.3	140.1	17.9	139.8	18.4	139.5	18.8
	-8	-9	148.0	17.2	147.6	17.7	147.2	18.2	146.9	18.7	146.5	19.3	146.2	19.7
	-3	-4	158.6	18.4	158.2	18.9	157.8	19.4	157.4	19.9	157.0	20.5	156.8	20.9
	2	1	172.0	19.7	171.6	20.2	171.2	20.7	170.8	21.3	170.3	21.9	170.0	22.4
	7	6	187.3	21.0	186.8	21.6	186.4	22.1	185.9	22.8	185.4	23.4	185.1	23.9
	12	10	203.5	22.3	203.0	22.9	202.5	23.5	202.0	24.1	201.5	24.8	201.2	25.2
	17	15	220.0	23.5	219.4	24.0	218.9	24.6	218.4	25.2	217.8	25.9	217.4	26.4
	22	20	236.1	24.3	235.5	24.9	234.9	25.5	234.3	26.1	233.7	26.8	233.3	27.2
	27	24	251.2	24.9	250.6	25.5	249.9	26.1	249.3	26.7	248.7	27.3	248.6	27.8
	32	29	265.0	25.2	264.3	25.8	263.7	26.3	263.0	26.9	262.4	27.3	261.9	26.8
	37	34	277.1	25.2	276.4	25.7	275.7	26.3	275.2	26.3	274.6	25.7	266.1	24.5
	42	38	287.4	24.9	286.8	25.4	286.3	25.1	285.7	24.6	278.2	23.6	266.1	22.3
	47	43	307.7	25.2	307.1	24.8	306.6	24.4	297.0	23.3	278.2	21.6	266.1	20.5
	52	47	338.7	25.2	333.4	24.6	315.8	23.0	297.0	21.5	278.2	19.9	266.1	18.9
	57	52	352.2	24.1	333.4	22.6	315.8	21.3	297.0	19.8	278.2	18.5	266.1	17.6
	62	56	352.2	22.2	333.4	20.9	315.8	19.7	297.0	18.5	278.2	17.2	266.1	16.4
	67	61	352.2	20.7	333.4	19.5	315.8	18.4	297.0	17.3	278.2	16.1	266.1	15.4
	72	66	352.2	19.3	333.4	18.3	315.8	17.3	297.0	16.2	278.2	15.2	266.1	14.5
	75	69	352.2	18.6	333.4	17.6	315.8	16.6	297.0	15.6	278.2	14.6	266.1	14.0
	80	74	352.2	17.5	333.4	16.6	315.8	15.7	297.0	14.8	278.2	13.8	266.1	13.2

NOTE - Power Input = Compressor + Outdoor Fan Motor.  
 MBH = 1000 BTUs per hour.

# HEATING CAPACITY - TWO MODULE | VRB240H4

Combination (%)	Outdoor Temperature (°F)		Indoor Temperature - °F Dry Bulb											
			61		64		67		70		73		75	
	Dry Bulb	Wet Bulb	Total Cap. MBH	Power Input kW	Total Cap. MBH	Power Input kW	Total Cap. MBH	Power Input kW	Total Cap. MBH	Power Input kW	Total Cap. MBH	Power Input kW	Total Cap. MBH	Power Input kW
100%	-13	-14	140.6	16.1	140.3	16.6	139.9	17.0	139.6	17.5	139.2	18.0	139.0	18.4
	-8	-9	147.4	16.9	147.0	17.4	146.7	17.8	146.3	18.4	145.9	18.9	145.7	19.3
	-3	-4	158.0	18.0	157.6	18.5	157.2	19.0	156.8	19.5	156.4	20.1	156.1	20.5
	2	1	171.4	19.3	170.9	19.8	170.5	20.3	170.1	20.9	169.6	21.5	169.4	21.9
	7	6	186.6	20.6	186.1	21.2	185.6	21.7	185.2	22.3	184.7	23.0	184.4	23.4
	12	10	202.7	21.9	202.2	22.5	201.7	23.0	201.2	23.6	200.7	24.3	200.4	24.7
	17	15	219.1	23.0	218.6	23.6	218.0	24.1	217.5	24.8	216.9	25.4	216.6	25.9
	22	20	235.1	23.9	234.5	24.4	234.0	25.0	233.4	25.6	232.8	26.3	232.4	26.7
	27	24	250.2	24.5	249.6	25.0	249.0	25.6	248.3	26.2	247.7	26.8	247.1	26.7
	32	29	263.9	24.7	263.2	25.3	262.6	25.8	261.9	26.4	261.2	26.9	260.5	26.4
	37	34	276.0	24.7	275.3	25.3	274.6	25.8	274.0	26.4	273.3	26.9	272.6	26.4
	42	38	286.2	24.5	285.5	24.9	284.8	24.6	284.0	22.9	283.3	21.1	282.6	20.0
	47	43	294.5	23.7	293.8	23.3	293.1	22.5	292.4	20.9	291.7	19.3	291.0	18.3
	52	47	300.9	22.1	300.1	21.8	299.3	20.6	298.6	19.2	297.9	17.8	297.1	16.9
	57	52	305.5	20.6	303.1	20.3	300.7	19.0	298.3	17.8	295.9	16.5	293.5	15.7
	62	56	308.5	19.2	303.1	18.8	297.7	17.7	295.3	16.5	292.9	15.4	290.5	14.7
	67	61	310.4	18.0	303.1	17.5	297.7	16.5	295.3	15.5	292.9	14.4	290.5	13.8
72	66	311.4	16.8	303.1	16.3	297.7	15.5	295.3	14.5	292.9	13.6	290.5	13.0	
75	69	312.0	16.2	303.1	15.7	297.7	14.9	295.3	14.0	292.9	13.1	290.5	12.5	
80	74	313.1	15.3	303.1	14.8	297.7	14.0	295.3	13.2	292.9	12.4	290.5	11.9	
90%	-13	-14	140.1	15.8	139.7	16.3	139.4	16.7	139.0	17.2	138.7	17.7	138.4	18.1
	-8	-9	146.8	16.6	146.4	17.1	146.1	17.5	145.7	18.0	145.3	18.6	145.1	18.9
	-3	-4	157.3	17.7	156.9	18.2	156.6	18.6	156.2	19.2	155.8	19.7	155.5	20.1
	2	1	170.7	19.0	170.2	19.5	169.8	20.0	169.4	20.5	169.0	21.1	168.7	21.5
	7	6	185.8	20.3	185.3	20.8	184.9	21.3	184.4	21.9	183.9	22.5	183.6	23.0
	12	10	201.9	21.5	201.4	22.0	200.9	22.6	200.4	23.2	199.9	23.8	199.6	24.3
	17	15	218.3	22.6	217.7	23.1	217.2	23.7	216.6	24.3	216.1	25.0	215.7	25.4
	22	20	234.2	23.4	233.6	24.0	233.0	24.5	232.4	25.1	227.6	25.3	217.7	24.7
	27	24	249.2	24.0	248.6	24.5	248.0	25.1	243.0	25.2	227.6	24.3	217.7	23.6
	32	29	262.9	24.3	262.2	24.8	258.4	25.0	243.0	24.1	227.6	23.0	217.7	21.6
	37	34	274.9	24.3	272.8	24.7	258.4	23.9	243.0	22.5	227.6	20.6	217.7	19.5
	42	38	285.1	24.0	272.8	23.5	258.4	22.0	243.0	20.3	227.6	18.7	217.7	17.7
	47	43	277.5	22.0	272.8	21.4	258.4	20.0	243.0	18.5	227.6	17.1	217.7	16.3
	52	47	270.8	19.6	272.8	19.5	258.4	18.3	243.0	17.0	227.6	15.8	217.7	15.0
	57	52	274.9	18.2	272.8	18.0	258.4	16.9	243.0	15.8	227.6	14.7	217.7	13.9
	62	56	277.7	17.0	272.8	16.6	258.4	15.7	243.0	14.7	227.6	13.7	217.7	13.0
	67	61	279.3	15.9	272.8	15.5	258.4	14.6	243.0	13.7	227.6	12.8	217.7	12.2
72	66	280.3	14.9	272.8	14.5	258.4	13.7	243.0	12.9	227.6	12.0	217.7	11.5	
75	69	280.8	14.4	272.8	14.0	258.4	13.2	243.0	12.4	227.6	11.6	217.7	11.1	
80	74	281.8	13.6	272.8	13.1	258.4	12.5	243.0	11.7	227.6	11.0	217.7	10.5	
80%	-13	-14	139.5	15.5	139.1	16.0	138.8	16.4	138.5	16.9	138.1	17.4	137.9	17.7
	-8	-9	146.2	16.3	145.8	16.7	145.5	17.2	145.1	17.7	144.7	18.2	144.5	18.6
	-3	-4	156.7	17.4	156.3	17.8	155.9	18.3	155.5	18.8	155.1	19.4	154.9	19.8
	2	1	170.0	18.6	169.6	19.1	169.1	19.6	168.7	20.1	168.3	20.7	168.0	21.1
	7	6	185.1	19.9	184.6	20.4	184.2	20.9	183.7	21.5	183.2	22.1	182.9	22.5
	12	10	201.1	21.1	200.6	21.6	200.1	22.2	199.6	22.8	199.1	23.4	193.5	23.2
	17	15	217.4	22.2	216.8	22.7	216.3	23.2	215.7	23.9	202.3	23.0	193.5	22.5
	22	20	233.2	23.0	232.7	23.5	229.7	23.8	216.0	23.0	202.3	22.2	193.5	21.6
	27	24	248.2	23.6	242.5	23.6	229.7	22.9	216.0	22.1	202.3	21.3	193.5	20.7
	32	29	256.1	23.3	242.5	22.6	229.7	21.9	216.0	21.1	202.3	20.1	193.5	19.0
	37	34	256.1	22.3	242.5	21.6	229.7	20.9	216.0	19.7	202.3	18.1	193.5	17.1
	42	38	256.1	21.3	242.5	20.6	229.7	19.3	216.0	17.8	202.3	16.4	193.5	15.5
	47	43	256.1	20.0	242.5	18.7	229.7	17.5	216.0	16.2	202.3	15.0	193.5	14.2
	52	47	256.1	18.2	242.5	17.1	229.7	16.0	216.0	14.9	202.3	13.8	193.5	13.2
	57	52	256.1	16.7	242.5	15.7	229.7	14.8	216.0	13.8	202.3	12.8	193.5	12.2
	62	56	256.1	15.5	242.5	14.6	229.7	13.7	216.0	12.8	202.3	12.0	193.5	11.4
	67	61	256.1	14.4	242.5	13.6	229.7	12.8	216.0	12.0	202.3	11.2	193.5	10.7
72	66	256.1	13.4	242.5	12.7	229.7	12.0	216.0	11.3	202.3	10.5	193.5	10.1	
75	69	256.1	12.9	242.5	12.2	229.7	11.6	216.0	10.9	202.3	10.2	193.5	9.7	
80	74	256.1	12.2	242.5	11.5	229.7	10.9	216.0	10.3	202.3	9.6	193.5	9.2	

NOTE - Power Input = Compressor + Outdoor Fan Motor.  
 MBH = 1000 BTUs per hour.

# HEATING CAPACITY - TWO MODULE | VRB240H4

Combination (%)	Outdoor Temperature (°F)		Indoor Temperature - °F Dry Bulb											
			61		64		67		70		73		75	
	Dry Bulb	Wet Bulb	Total Cap.	Power Input	Total Cap.	Power Input	Total Cap.	Power Input	Total Cap.	Power Input	Total Cap.	Power Input	Total Cap.	Power Input
			MBH	kW	MBH	kW	MBH	kW	MBH	kW	MBH	kW	MBH	kW
70%	-13	-14	138.9	15.3	138.6	15.7	138.3	16.1	137.9	16.6	137.5	17.1	137.3	17.4
	-8	-9	145.6	16.0	145.2	16.4	144.9	16.9	144.5	17.4	144.2	17.9	143.9	18.2
	-3	-4	156.1	17.0	155.7	17.5	155.3	18.0	154.9	18.5	154.5	19.0	154.3	19.4
	2	1	169.3	18.3	168.9	18.7	168.5	19.2	168.0	19.8	167.6	20.4	167.3	20.8
	7	6	184.3	19.5	183.9	20.0	183.4	20.5	182.9	21.1	177.1	21.1	169.3	20.6
	12	10	200.3	20.7	199.8	21.2	199.3	21.8	189.0	21.3	177.1	20.5	169.3	20.0
	17	15	216.5	21.8	212.2	21.9	200.9	21.3	189.0	20.6	177.1	19.9	169.3	19.4
	22	20	224.1	21.8	212.2	21.2	200.9	20.5	189.0	19.9	177.1	19.1	169.3	18.6
	27	24	224.1	21.0	212.2	20.4	200.9	19.7	189.0	19.1	177.1	18.3	169.3	17.9
	32	29	224.1	20.1	212.2	19.5	200.9	18.9	189.0	18.2	177.1	17.4	169.3	16.3
	37	34	224.1	19.2	212.2	18.6	200.9	18.0	189.0	17.0	177.1	15.6	169.3	14.7
	42	38	224.1	18.3	212.2	17.7	200.9	16.6	189.0	15.4	177.1	14.2	169.3	13.4
	47	43	224.1	17.3	212.2	16.1	200.9	15.1	189.0	14.0	177.1	12.9	169.3	12.3
	52	47	224.1	15.7	212.2	14.7	200.9	13.8	189.0	12.9	177.1	11.9	169.3	11.3
	57	52	224.1	14.4	212.2	13.6	200.9	12.8	189.0	11.9	177.1	11.1	169.3	10.5
	62	56	224.1	13.3	212.2	12.6	200.9	11.8	189.0	11.1	177.1	10.3	169.3	9.8
	67	61	224.1	12.4	212.2	11.7	200.9	11.0	189.0	10.4	177.1	9.7	169.3	9.2
	72	66	224.1	11.6	212.2	11.0	200.9	10.4	189.0	9.7	177.1	9.1	169.3	8.7
	75	69	224.1	11.1	212.2	10.5	200.9	10.0	189.0	9.4	177.1	8.8	169.3	8.4
80	74	224.1	10.5	212.2	9.9	200.9	9.4	189.0	8.9	177.1	8.3	169.3	7.9	
60%	-13	-14	138.4	15.0	138.0	15.4	137.7	15.8	137.3	16.3	137.0	16.7	136.8	17.1
	-8	-9	145.0	15.7	144.7	16.1	144.3	16.6	143.9	17.0	143.6	17.6	143.3	17.9
	-3	-4	155.5	16.7	155.1	17.2	154.7	17.6	154.3	18.1	151.8	18.4	145.1	18.0
	2	1	168.6	17.9	168.2	18.4	167.8	18.9	162.0	18.8	151.8	18.2	145.1	17.7
	7	6	183.6	19.2	181.9	19.5	172.2	19.0	162.0	18.4	151.8	17.8	145.1	17.4
	12	10	192.1	19.6	181.9	19.1	172.2	18.5	162.0	18.0	151.8	17.3	145.1	16.9
	17	15	192.1	19.0	181.9	18.5	172.2	18.0	162.0	17.4	151.8	16.8	145.1	16.4
	22	20	192.1	18.4	181.9	17.9	172.2	17.4	162.0	16.8	151.8	16.2	145.1	15.8
	27	24	192.1	17.7	181.9	17.2	172.2	16.7	162.0	16.1	151.8	15.5	145.1	15.1
	32	29	192.1	17.0	181.9	16.5	172.2	16.0	162.0	15.4	151.8	14.7	145.1	13.8
	37	34	192.1	16.3	181.9	15.7	172.2	15.2	162.0	14.4	151.8	13.2	145.1	12.4
	42	38	192.1	15.5	181.9	15.0	172.2	14.0	162.0	13.0	151.8	12.0	145.1	11.3
	47	43	192.1	14.6	181.9	13.6	172.2	12.7	162.0	11.8	151.8	10.9	145.1	10.4
	52	47	192.1	13.3	181.9	12.5	172.2	11.7	162.0	10.9	151.8	10.1	145.1	9.6
	57	52	192.1	12.2	181.9	11.5	172.2	10.8	162.0	10.1	151.8	9.4	145.1	8.9
	62	56	192.1	11.3	181.9	10.6	172.2	10.0	162.0	9.4	151.8	8.7	145.1	8.3
	67	61	192.1	10.5	181.9	9.9	172.2	9.3	162.0	8.7	151.8	8.2	145.1	7.8
	72	66	192.1	9.8	181.9	9.3	172.2	8.7	162.0	8.2	151.8	7.7	145.1	7.3
	75	69	192.1	9.4	181.9	8.9	172.2	8.4	162.0	7.9	151.8	7.4	145.1	7.1
80	74	192.1	8.9	181.9	8.4	172.2	8.0	162.0	7.5	151.8	7.0	145.1	6.7	
50%	-13	-14	137.8	14.7	137.5	15.1	137.1	15.5	135.0	15.8	126.5	15.2	120.9	14.9
	-8	-9	144.4	15.4	144.1	15.8	143.5	16.2	135.0	15.8	126.5	15.2	120.9	14.9
	-3	-4	154.8	16.4	151.6	16.6	143.5	16.1	135.0	15.7	126.5	15.1	120.9	14.8
	2	1	160.1	16.8	151.6	16.4	143.5	15.9	135.0	15.4	126.5	14.9	120.9	14.6
	7	6	160.1	16.5	151.6	16.1	143.5	15.6	135.0	15.1	126.5	14.6	120.9	14.3
	12	10	160.1	16.1	151.6	15.7	143.5	15.2	135.0	14.8	126.5	14.2	120.9	13.9
	17	15	160.1	15.6	151.6	15.2	143.5	14.8	135.0	14.3	126.5	13.8	120.9	13.4
	22	20	160.1	15.1	151.6	14.7	143.5	14.3	135.0	13.8	126.5	13.3	120.9	12.9
	27	24	160.1	14.6	151.6	14.1	143.5	13.7	135.0	13.2	126.5	12.7	120.9	12.4
	32	29	160.1	14.0	151.6	13.5	143.5	13.1	135.0	12.7	126.5	12.1	120.9	11.4
	37	34	160.1	13.4	151.6	12.9	143.5	12.5	135.0	11.8	126.5	10.8	120.9	10.2
	42	38	160.1	12.7	151.6	12.3	143.5	11.5	135.0	10.7	126.5	9.8	120.9	9.3
	47	43	160.1	12.0	151.6	11.2	143.5	10.5	135.0	9.7	126.5	9.0	120.9	8.5
	52	47	160.1	10.9	151.6	10.2	143.5	9.6	135.0	8.9	126.5	8.3	120.9	7.9
	57	52	160.1	10.0	151.6	9.4	143.5	8.9	135.0	8.3	126.5	7.7	120.9	7.3
	62	56	160.1	9.3	151.6	8.7	143.5	8.2	135.0	7.7	126.5	7.2	120.9	6.8
	67	61	160.1	8.6	151.6	8.1	143.5	7.7	135.0	7.2	126.5	6.7	120.9	6.4
	72	66	160.1	8.0	151.6	7.6	143.5	7.2	135.0	6.7	126.5	6.3	120.9	6.0
	75	69	160.1	7.7	151.6	7.3	143.5	6.9	135.0	6.5	126.5	6.1	120.9	5.8
80	74	160.1	7.3	151.6	6.9	143.5	6.5	135.0	6.1	126.5	5.8	120.9	5.5	

NOTE - Power Input = Compressor + Outdoor Fan Motor.  
MBH = 1000 BTUs per hour.

# COOLING CAPACITY - TWO MODULE | VRB264H4

Combination (%)	Outdoor Temperature °F (Dry Bulb)	Indoor Temperature - °F (Dry Bulb / Wet Bulb)											
		67 / 57		71 / 60		75 / 63		80 / 67		85 / 71		90 / 75	
		Total Cap.	Power Input	Total Cap.	Power Input	Total Cap.	Power Input	Total Cap.	Power Input	Total Cap.	Power Input	Total Cap.	Power Input
		MBH	kW	MBH	kW	MBH	kW	MBH	kW	MBH	kW	MBH	kW
130%	-10	202.3	7.3	245.9	8.9	286.9	10.5	343.2	12.8	402.1	15.4	451.0	17.7
	-5	202.3	7.7	245.9	9.5	286.9	11.2	343.2	13.6	402.1	16.3	440.5	18.3
	10	202.3	7.9	245.9	9.7	286.9	11.4	343.2	13.9	402.1	16.7	436.8	18.6
	15	202.3	8.0	245.9	9.9	286.9	11.7	343.2	14.2	399.5	16.9	428.2	18.6
	20	202.3	8.2	245.9	10.1	286.9	11.9	343.2	14.5	395.4	17.1	419.1	18.6
	25	202.3	8.4	245.9	10.3	286.9	12.2	343.2	14.9	391.0	17.3	409.2	18.6
	30	202.3	8.6	245.9	10.6	286.9	12.5	343.2	15.2	386.9	17.6	399.6	18.6
	35	202.3	8.8	245.9	10.8	286.9	12.8	343.2	15.6	383.0	17.8	390.4	18.6
	40	202.3	9.0	245.9	11.1	286.9	13.1	343.2	16.0	380.4	18.1	384.6	18.8
	45	202.3	9.3	245.9	11.4	286.9	13.4	343.2	16.4	379.4	18.5	382.3	19.1
	50	202.3	9.5	245.9	11.7	286.9	13.8	343.2	16.8	375.4	18.8	380.7	19.5
	55	202.3	9.7	245.9	12.0	286.9	14.1	343.2	17.2	374.5	19.3	379.8	20.0
	60	202.3	10.0	245.9	12.3	286.9	14.5	343.2	17.7	375.4	19.8	379.4	20.5
	65	202.3	10.3	245.9	12.6	286.9	14.9	343.2	18.2	372.1	20.2	379.2	21.1
	70	202.3	11.2	245.9	13.8	286.9	16.2	343.2	19.8	371.8	22.0	378.9	22.9
	75	202.3	12.3	245.9	15.1	286.9	17.8	340.2	21.5	371.0	24.1	378.1	25.1
	80	202.3	13.5	245.9	16.6	286.9	19.6	338.7	23.6	369.1	26.3	376.2	27.4
	85	202.3	14.8	245.9	18.2	286.9	21.5	336.4	25.7	365.5	28.6	372.6	29.8
	90	202.3	16.2	245.9	19.9	286.9	23.5	332.9	27.8	359.6	30.8	366.5	32.1
	95	202.3	17.7	245.9	21.8	286.9	25.7	320.2	29.3	331.7	31.0	336.9	32.3
100	202.3	19.3	245.9	23.7	280.6	27.3	313.7	31.2	318.1	32.3	324.2	33.8	
105	202.3	20.8	245.9	25.5	271.2	28.6	292.0	31.4	300.7	33.0	306.5	34.5	
110	202.3	22.2	234.5	26.1	259.3	29.3	269.5	31.0	277.5	32.6	282.8	34.1	
115	195.0	22.7	221.2	26.1	231.3	27.6	240.2	29.2	247.3	30.8	252.1	32.1	
118	185.2	22.2	203.4	24.7	210.4	25.9	218.6	27.4	225.0	28.8	229.4	30.1	
125	139.5	17.5	145.6	18.5	150.7	19.3	156.5	20.5	161.1	21.5	164.2	22.5	
120%	-10	186.8	6.6	227.0	8.1	264.8	9.6	316.8	11.7	371.2	14.0	423.2	16.3
	-5	186.8	7.0	227.0	8.6	264.8	10.2	316.8	12.4	371.2	14.8	418.0	17.1
	10	186.8	7.2	227.0	8.8	264.8	10.4	316.8	12.7	371.2	15.2	414.3	17.3
	15	186.8	7.3	227.0	9.0	264.8	10.6	316.8	12.9	371.2	15.5	410.2	17.6
	20	186.8	7.5	227.0	9.2	264.8	10.8	316.8	13.2	371.2	15.8	406.1	17.8
	25	186.8	7.6	227.0	9.4	264.8	11.1	316.8	13.5	371.2	16.2	401.8	18.0
	30	186.8	7.8	227.0	9.6	264.8	11.3	316.8	13.8	366.9	16.4	392.4	18.0
	35	186.8	8.0	227.0	9.8	264.8	11.6	316.8	14.2	363.0	16.6	383.2	18.0
	40	186.8	8.2	227.0	10.1	264.8	11.9	316.8	14.5	360.5	16.9	377.3	18.1
	45	186.8	8.4	227.0	10.3	264.8	12.2	316.8	14.9	359.5	17.3	375.1	18.5
	50	186.8	8.6	227.0	10.6	264.8	12.5	316.8	15.3	358.7	17.7	373.5	18.9
	55	186.8	8.9	227.0	10.9	264.8	12.9	316.8	15.7	358.1	18.1	372.6	19.3
	60	186.8	9.1	227.0	11.2	264.8	13.2	316.8	16.1	358.2	18.6	372.2	19.8
	65	186.8	9.3	227.0	11.5	264.8	13.6	316.8	16.5	356.6	19.1	372.0	20.4
	70	186.8	10.2	227.0	12.5	264.8	14.8	316.8	18.0	355.9	20.7	371.8	22.1
	75	186.8	11.2	227.0	13.7	264.8	16.2	316.8	19.7	355.0	22.7	371.0	24.3
	80	186.8	12.3	227.0	15.1	264.8	17.8	316.8	21.7	353.5	24.8	369.1	26.5
	85	186.8	13.5	227.0	16.5	264.8	19.5	316.8	23.8	351.2	27.0	365.5	28.8
	90	186.8	14.7	227.0	18.1	264.8	21.4	316.8	26.1	347.8	29.3	359.6	31.0
	95	186.8	16.1	227.0	19.8	264.8	23.4	305.8	27.5	331.7	30.5	336.9	31.8
100	186.8	17.5	227.0	21.5	264.8	25.4	299.3	29.3	318.1	31.8	324.2	33.2	
105	186.8	18.9	227.0	23.2	259.2	26.9	290.0	30.7	300.7	32.5	306.5	33.9	
110	186.8	20.2	224.2	24.6	247.2	27.4	269.5	30.5	277.5	32.1	282.8	33.5	
115	186.8	21.4	210.9	24.5	231.3	27.2	240.2	28.8	247.3	30.3	252.1	31.6	
118	176.8	20.8	202.0	24.1	210.4	25.5	218.6	26.9	225.0	28.4	229.4	29.6	
125	139.5	17.2	145.6	18.2	150.7	19.0	156.5	20.1	161.1	21.2	164.2	22.1	

NOTE - Power Input = Compressor + Outdoor Fan Motor.  
 MBH = 1000 BTUs per hour.

# COOLING CAPACITY - TWO MODULE | VRB264H4

Combination (%)	Outdoor Temperature °F (Dry Bulb)	Indoor Temperature - °F (Dry Bulb / Wet Bulb)											
		67 / 57		71 / 60		75 / 63		80 / 67		85 / 71		90 / 75	
		Total Cap.	Power Input	Total Cap.	Power Input	Total Cap.	Power Input	Total Cap.	Power Input	Total Cap.	Power Input	Total Cap.	Power Input
		MBH	KW	MBH	KW	MBH	KW	MBH	KW	MBH	KW	MBH	KW
110%	-10	171.2	5.9	208.0	7.3	242.7	8.6	290.4	10.5	340.2	12.6	387.9	14.7
	-5	171.2	6.3	208.0	7.8	242.7	9.2	290.4	11.2	340.2	13.4	387.9	15.6
	10	171.2	6.5	208.0	7.9	242.7	9.4	290.4	11.4	340.2	13.7	387.9	16.0
	15	171.2	6.6	208.0	8.1	242.7	9.6	290.4	11.7	340.2	14.0	387.8	16.3
	20	171.2	6.7	208.0	8.3	242.7	9.8	290.4	11.9	340.2	14.3	383.8	16.5
	25	171.2	6.9	208.0	8.5	242.7	10.0	290.4	12.2	340.2	14.6	379.5	16.7
	30	171.2	7.1	208.0	8.7	242.7	10.2	290.4	12.5	340.2	15.0	375.4	16.9
	35	171.2	7.2	208.0	8.9	242.7	10.5	290.4	12.8	340.2	15.3	371.5	17.2
	40	171.2	7.4	208.0	9.1	242.7	10.7	290.4	13.1	340.2	15.7	368.9	17.5
	45	171.2	7.6	208.0	9.3	242.7	11.0	290.4	13.4	340.2	16.1	367.9	17.8
	50	171.2	7.8	208.0	9.6	242.7	11.3	290.4	13.8	340.2	16.5	366.3	18.2
	55	171.2	8.0	208.0	9.8	242.7	11.6	290.4	14.1	340.2	16.9	365.5	18.7
	60	171.2	8.2	208.0	10.1	242.7	11.9	290.4	14.5	338.2	17.3	365.1	19.1
	65	171.2	8.4	208.0	10.4	242.7	12.2	290.4	14.9	336.7	17.7	364.9	19.7
	70	171.2	9.2	208.0	11.3	242.7	13.3	290.4	16.2	336.1	19.2	364.6	21.4
	75	171.2	10.1	208.0	12.4	242.7	14.6	290.4	17.8	335.2	21.0	363.8	23.4
	80	171.2	11.1	208.0	13.6	242.7	16.1	290.4	19.6	333.7	23.0	362.0	25.6
	85	171.2	12.1	208.0	14.9	242.7	17.6	290.4	21.5	331.4	25.1	358.5	27.8
	90	171.2	13.3	208.0	16.3	242.7	19.3	290.4	23.5	328.1	27.2	352.7	30.0
	95	171.2	14.5	208.0	17.9	242.7	21.1	290.4	25.7	320.9	29.1	336.9	31.3
100	171.2	15.8	208.0	19.4	242.7	22.9	286.9	27.6	314.5	31.0	324.2	32.7	
105	171.2	17.1	208.0	21.0	242.7	24.7	275.6	28.7	300.7	32.0	306.5	33.4	
110	171.2	18.2	208.0	22.4	235.2	25.7	265.2	29.6	277.5	31.6	282.8	33.0	
115	171.2	19.3	200.6	22.9	222.5	25.8	240.2	28.3	247.3	29.8	252.1	31.1	
118	168.3	19.5	191.7	22.5	210.4	25.1	218.6	26.5	225.0	27.9	229.4	29.1	
125	139.5	17.0	145.6	17.9	150.7	18.7	156.5	19.8	161.1	20.9	164.2	21.8	
100%	-10	155.6	5.3	189.1	6.5	220.7	7.7	264.0	9.4	309.3	11.3	352.7	13.2
	-5	155.6	5.7	189.1	7.0	220.7	8.2	264.0	10.0	309.3	12.0	352.7	14.0
	10	155.6	5.8	189.1	7.1	220.7	8.4	264.0	10.2	309.3	12.3	352.7	14.3
	15	155.6	5.9	189.1	7.3	220.7	8.6	264.0	10.5	309.3	12.5	352.7	14.6
	20	155.6	6.0	189.1	7.4	220.7	8.8	264.0	10.7	309.3	12.8	352.5	14.9
	25	155.6	6.2	189.1	7.6	220.7	9.0	264.0	10.9	309.3	13.1	350.8	15.2
	30	155.6	6.3	189.1	7.8	220.7	9.2	264.0	11.2	309.3	13.4	349.3	15.5
	35	155.6	6.5	189.1	8.0	220.7	9.4	264.0	11.4	309.3	13.7	347.8	15.8
	40	155.6	6.6	189.1	8.2	220.7	9.6	264.0	11.7	309.3	14.1	346.6	16.1
	45	155.6	6.8	189.1	8.4	220.7	9.9	264.0	12.0	309.3	14.4	345.6	16.5
	50	155.6	7.0	189.1	8.6	220.7	10.1	264.0	12.3	309.3	14.8	344.9	16.9
	55	155.6	7.2	189.1	8.8	220.7	10.4	264.0	12.7	309.3	15.2	344.3	17.3
	60	155.6	7.4	189.1	9.0	220.7	10.7	264.0	13.0	309.3	15.6	343.9	17.8
	65	155.6	7.6	189.1	9.3	220.7	11.0	264.0	13.4	309.3	16.0	343.4	18.2
	70	155.6	8.2	189.1	10.1	220.7	11.9	264.0	14.5	309.3	17.4	342.8	19.8
	75	155.6	9.0	189.1	11.1	220.7	13.1	264.0	16.0	309.3	19.1	341.8	21.7
	80	155.6	9.9	189.1	12.2	220.7	14.4	264.0	17.5	309.3	21.0	340.3	23.7
	85	155.6	10.9	189.1	13.4	220.7	15.8	264.0	19.2	309.3	23.0	338.1	25.8
	90	155.6	11.9	189.1	14.6	220.7	17.3	264.0	21.1	308.5	25.2	334.8	28.0
	95	155.6	13.0	189.1	16.0	220.7	18.9	<b>264.0</b>	<b>23.0</b>	303.9	27.1	330.1	30.2
100	155.6	14.1	189.1	17.4	220.7	20.5	264.0	25.0	297.6	28.9	323.8	32.2	
105	155.6	15.3	189.1	18.8	220.7	22.2	261.2	26.7	289.4	30.3	306.5	32.9	
110	155.6	16.3	189.1	20.1	220.7	23.7	250.8	27.5	277.5	31.2	282.8	32.5	
115	155.6	17.3	189.1	21.2	210.5	24.0	237.6	27.6	247.3	29.4	252.1	30.7	
118	155.6	17.8	181.3	21.0	201.2	23.6	218.6	26.1	225.0	27.5	229.4	28.7	
125	135.7	16.2	145.6	17.6	150.7	18.5	156.5	19.5	161.1	20.6	164.2	21.5	

NOTE - Power Input = Compressor + Outdoor Fan Motor.  
MBH = 1000 BTUs per hour.



# COOLING CAPACITY - TWO MODULE | VRB264H4

Combination (%)	Outdoor Temperature °F (Dry Bulb)	Indoor Temperature - °F (Dry Bulb / Wet Bulb)											
		67 / 57		71 / 60		75 / 63		80 / 67		85 / 71		90 / 75	
		Total Cap.	Power Input	Total Cap.	Power Input	Total Cap.	Power Input	Total Cap.	Power Input	Total Cap.	Power Input	Total Cap.	Power Input
		MBH	kW	MBH	kW	MBH	kW	MBH	kW	MBH	kW	MBH	kW
90%	-10	140.1	4.7	170.2	5.8	198.6	6.9	237.6	8.4	278.4	10.0	317.4	11.7
	-5	140.1	5.0	170.2	6.2	198.6	7.3	237.6	8.9	278.4	10.6	317.4	12.4
	10	140.1	5.1	170.2	6.3	198.6	7.4	237.6	9.1	278.4	10.9	317.4	12.7
	15	140.1	5.2	170.2	6.4	198.6	7.6	237.6	9.3	278.4	11.1	317.4	13.0
	20	140.1	5.4	170.2	6.6	198.6	7.8	237.6	9.5	278.4	11.3	317.4	13.2
	25	140.1	5.5	170.2	6.7	198.6	7.9	237.6	9.7	278.4	11.6	317.4	13.6
	30	140.1	5.6	170.2	6.9	198.6	8.1	237.6	9.9	278.4	11.9	317.4	13.9
	35	140.1	5.7	170.2	7.1	198.6	8.3	237.6	10.2	278.4	12.2	317.4	14.2
	40	140.1	5.9	170.2	7.2	198.6	8.5	237.6	10.4	278.4	12.5	317.4	14.5
	45	140.1	6.0	170.2	7.4	198.6	8.7	237.6	10.7	278.4	12.8	317.4	14.9
	50	140.1	6.2	170.2	7.6	198.6	9.0	237.6	10.9	278.4	13.1	317.4	15.3
	55	140.1	6.3	170.2	7.8	198.6	9.2	237.6	11.2	278.4	13.4	317.4	15.7
	60	140.1	6.5	170.2	8.0	198.6	9.5	237.6	11.5	278.4	13.8	317.4	16.1
	65	140.1	6.7	170.2	8.2	198.6	9.7	237.6	11.9	278.4	14.2	317.4	16.6
	70	140.1	7.3	170.2	9.0	198.6	10.6	237.6	12.9	278.4	15.4	317.4	18.0
	75	140.1	8.0	170.2	9.8	198.6	11.6	237.6	14.2	278.4	17.0	317.4	19.8
	80	140.1	8.8	170.2	10.8	198.6	12.7	237.6	15.5	278.4	18.6	317.4	21.7
	85	140.1	9.6	170.2	11.8	198.6	14.0	237.6	17.1	278.4	20.4	315.9	23.7
	90	140.1	10.6	170.2	13.0	198.6	15.3	237.6	18.7	278.4	22.4	312.7	25.8
	95	140.1	11.5	170.2	14.2	198.6	16.7	237.6	20.4	278.4	24.4	310.9	28.0
100	140.1	12.5	170.2	15.4	198.6	18.2	237.6	22.2	278.2	26.6	304.5	29.8	
105	140.1	13.5	170.2	16.6	198.6	19.6	237.6	23.9	272.5	28.1	296.1	31.3	
110	140.1	14.5	170.2	17.8	198.6	21.0	236.4	25.5	261.8	28.9	282.8	32.0	
115	140.1	15.3	170.2	18.8	198.4	22.2	223.2	25.5	247.3	29.0	252.1	30.2	
118	140.1	15.8	170.2	19.4	189.2	21.8	213.6	25.1	225.0	27.1	229.4	28.3	
125	127.2	15.0	145.6	17.4	150.7	18.2	156.5	19.2	161.1	20.3	164.2	21.1	
80%	-10	124.5	4.1	151.3	5.1	176.5	6.0	211.2	7.3	247.5	8.8	282.1	10.2
	-5	124.5	4.4	151.3	5.4	176.5	6.4	211.2	7.8	247.5	9.3	282.1	10.9
	10	124.5	4.5	151.3	5.5	176.5	6.5	211.2	7.9	247.5	9.5	282.1	11.1
	15	124.5	4.6	151.3	5.6	176.5	6.7	211.2	8.1	247.5	9.7	282.1	11.4
	20	124.5	4.7	151.3	5.8	176.5	6.8	211.2	8.3	247.5	9.9	282.1	11.6
	25	124.5	4.8	151.3	5.9	176.5	7.0	211.2	8.5	247.5	10.2	282.1	11.9
	30	124.5	4.9	151.3	6.0	176.5	7.1	211.2	8.7	247.5	10.4	282.1	12.1
	35	124.5	5.0	151.3	6.2	176.5	7.3	211.2	8.9	247.5	10.7	282.1	12.4
	40	124.5	5.2	151.3	6.3	176.5	7.5	211.2	9.1	247.5	10.9	282.1	12.7
	45	124.5	5.3	151.3	6.5	176.5	7.7	211.2	9.3	247.5	11.2	282.1	13.1
	50	124.5	5.4	151.3	6.7	176.5	7.9	211.2	9.6	247.5	11.5	282.1	13.4
	55	124.5	5.6	151.3	6.8	176.5	8.1	211.2	9.8	247.5	11.8	282.1	13.8
	60	124.5	5.7	151.3	7.0	176.5	8.3	211.2	10.1	247.5	12.1	282.1	14.1
	65	124.5	5.9	151.3	7.2	176.5	8.5	211.2	10.4	247.5	12.4	282.1	14.5
	70	124.5	6.4	151.3	7.8	176.5	9.3	211.2	11.3	247.5	13.5	282.1	15.8
	75	124.5	7.0	151.3	8.6	176.5	10.2	211.2	12.4	247.5	14.9	282.1	17.3
	80	124.5	7.7	151.3	9.5	176.5	11.2	211.2	13.6	247.5	16.3	282.1	19.0
	85	124.5	8.4	151.3	10.4	176.5	12.3	211.2	14.9	247.5	17.9	282.1	20.9
	90	124.5	9.3	151.3	11.4	176.5	13.4	211.2	16.4	247.5	19.6	282.1	22.9
	95	124.5	10.1	151.3	12.4	176.5	14.7	211.2	17.9	247.5	21.4	282.1	25.0
100	124.5	11.0	151.3	13.5	176.5	15.9	211.2	19.4	247.5	23.3	282.1	27.2	
105	124.5	11.9	151.3	14.6	176.5	17.2	211.2	21.0	247.5	25.1	276.8	28.8	
110	124.5	12.7	151.3	15.6	176.5	18.4	211.2	22.4	244.9	26.6	265.9	29.6	
115	124.5	13.4	151.3	16.5	176.5	19.5	208.8	23.5	231.3	26.7	252.1	29.8	
118	124.5	13.8	151.3	17.0	176.5	20.0	199.2	23.1	221.5	26.3	229.4	27.9	
125	118.7	13.8	135.6	15.9	150.7	17.9	156.5	19.0	161.1	20.0	164.2	20.8	

NOTE - Power Input = Compressor + Outdoor Fan Motor.  
 MBH = 1000 BTUs per hour.

# COOLING CAPACITY - TWO MODULE | VRB264H4

Combination (%)	Outdoor Temperature °F (Dry Bulb)	Indoor Temperature - °F (Dry Bulb / Wet Bulb)											
		67 / 57		71 / 60		75 / 63		80 / 67		85 / 71		90 / 75	
		Total Cap.	Power Input	Total Cap.	Power Input	Total Cap.	Power Input	Total Cap.	Power Input	Total Cap.	Power Input	Total Cap.	Power Input
		MBH	KW	MBH	KW	MBH	KW	MBH	KW	MBH	KW	MBH	KW
70%	-10	108.9	3.6	132.4	4.4	154.5	5.2	184.8	6.3	216.5	7.6	246.9	8.8
	-5	108.9	3.8	132.4	4.7	154.5	5.5	184.8	6.7	216.5	8.0	246.9	9.4
	10	108.9	3.9	132.4	4.8	154.5	5.6	184.8	6.9	216.5	8.2	246.9	9.6
	15	108.9	4.0	132.4	4.9	154.5	5.7	184.8	7.0	216.5	8.4	246.9	9.8
	20	108.9	4.0	132.4	5.0	154.5	5.9	184.8	7.2	216.5	8.6	246.9	10.0
	25	108.9	4.1	132.4	5.1	154.5	6.0	184.8	7.3	216.5	8.8	246.9	10.2
	30	108.9	4.2	132.4	5.2	154.5	6.1	184.8	7.5	216.5	9.0	246.9	10.5
	35	108.9	4.3	132.4	5.3	154.5	6.3	184.8	7.7	216.5	9.2	246.9	10.7
	40	108.9	4.4	132.4	5.5	154.5	6.4	184.8	7.9	216.5	9.4	246.9	11.0
	45	108.9	4.6	132.4	5.6	154.5	6.6	184.8	8.1	216.5	9.6	246.9	11.3
	50	108.9	4.7	132.4	5.7	154.5	6.8	184.8	8.3	216.5	9.9	246.9	11.6
	55	108.9	4.8	132.4	5.9	154.5	7.0	184.8	8.5	216.5	10.2	246.9	11.9
	60	108.9	4.9	132.4	6.1	154.5	7.1	184.8	8.7	216.5	10.4	246.9	12.2
	65	108.9	5.1	132.4	6.2	154.5	7.3	184.8	9.0	216.5	10.7	246.9	12.5
	70	108.9	5.5	132.4	6.8	154.5	8.0	184.8	9.7	216.5	11.7	246.9	13.6
	75	108.9	6.0	132.4	7.4	154.5	8.8	184.8	10.7	216.5	12.8	246.9	15.0
	80	108.9	6.6	132.4	8.2	154.5	9.6	184.8	11.7	216.5	14.1	246.9	16.4
	85	108.9	7.3	132.4	9.0	154.5	10.6	184.8	12.9	216.5	15.4	246.9	18.0
	90	108.9	8.0	132.4	9.8	154.5	11.6	184.8	14.1	216.5	16.9	246.9	19.7
	95	108.9	8.7	132.4	10.7	154.5	12.6	184.8	15.4	216.5	18.5	246.9	21.6
100	108.9	9.5	132.4	11.6	154.5	13.7	184.8	16.8	216.5	20.1	246.9	23.4	
105	108.9	10.2	132.4	12.6	154.5	14.8	184.8	18.1	216.5	21.7	246.9	25.3	
110	108.9	10.9	132.4	13.5	154.5	15.9	184.8	19.4	216.5	23.2	246.7	27.1	
115	108.9	11.6	132.4	14.2	154.5	16.8	184.8	20.5	214.5	24.3	232.9	27.1	
118	108.9	11.9	132.4	14.6	154.5	17.3	184.8	21.1	204.6	23.9	222.8	26.7	
125	107.2	12.2	125.3	14.5	139.2	16.3	156.5	18.7	161.1	19.7	164.2	20.5	
60%	-10	93.4	3.0	113.5	3.7	132.4	4.4	158.4	5.3	185.6	6.4	211.6	7.5
	-5	93.4	3.2	113.5	3.9	132.4	4.6	158.4	5.7	185.6	6.8	211.6	7.9
	10	93.4	3.3	113.5	4.0	132.4	4.8	158.4	5.8	185.6	6.9	211.6	8.1
	15	93.4	3.3	113.5	4.1	132.4	4.9	158.4	5.9	185.6	7.1	211.6	8.3
	20	93.4	3.4	113.5	4.2	132.4	5.0	158.4	6.0	185.6	7.2	211.6	8.5
	25	93.4	3.5	113.5	4.3	132.4	5.1	158.4	6.2	185.6	7.4	211.6	8.7
	30	93.4	3.6	113.5	4.4	132.4	5.2	158.4	6.3	185.6	7.6	211.6	8.9
	35	93.4	3.7	113.5	4.5	132.4	5.3	158.4	6.5	185.6	7.8	211.6	9.1
	40	93.4	3.8	113.5	4.6	132.4	5.4	158.4	6.6	185.6	8.0	211.6	9.3
	45	93.4	3.8	113.5	4.7	132.4	5.6	158.4	6.8	185.6	8.2	211.6	9.5
	50	93.4	3.9	113.5	4.9	132.4	5.7	158.4	7.0	185.6	8.4	211.6	9.8
	55	93.4	4.1	113.5	5.0	132.4	5.9	158.4	7.2	185.6	8.6	211.6	10.0
	60	93.4	4.2	113.5	5.1	132.4	6.0	158.4	7.4	185.6	8.8	211.6	10.3
	65	93.4	4.3	113.5	5.3	132.4	6.2	158.4	7.6	185.6	9.1	211.6	10.6
	70	93.4	4.7	113.5	5.7	132.4	6.8	158.4	8.2	185.6	9.9	211.6	11.5
	75	93.4	5.1	113.5	6.3	132.4	7.4	158.4	9.0	185.6	10.8	211.6	12.6
	80	93.4	5.6	113.5	6.9	132.4	8.1	158.4	9.9	185.6	11.9	211.6	13.9
	85	93.4	6.2	113.5	7.6	132.4	8.9	158.4	10.9	185.6	13.0	211.6	15.2
	90	93.4	6.7	113.5	8.3	132.4	9.8	158.4	11.9	185.6	14.3	211.6	16.7
	95	93.4	7.4	113.5	9.1	132.4	10.7	158.4	13.0	185.6	15.6	211.6	18.2
100	93.4	8.0	113.5	9.8	132.4	11.6	158.4	14.2	185.6	17.0	211.6	19.8	
105	93.4	8.6	113.5	10.6	132.4	12.5	158.4	15.3	185.6	18.3	211.6	21.4	
110	93.4	9.2	113.5	11.4	132.4	13.4	158.4	16.4	185.6	19.6	211.6	22.9	
115	93.4	9.8	113.5	12.0	132.4	14.2	158.4	17.3	185.6	20.7	211.6	24.2	
118	93.4	10.1	113.5	12.4	132.4	14.6	158.4	17.8	185.6	21.3	203.6	24.0	
125	93.4	10.5	113.5	12.9	127.1	14.6	143.4	16.9	159.9	19.3	164.2	20.3	

NOTE - Power Input = Compressor + Outdoor Fan Motor.  
 MBH = 1000 BTUs per hour.

## COOLING CAPACITY - TWO MODULE | VRB264H4

Combination (%)	Outdoor Temperature °F (Dry Bulb)	Indoor Temperature - °F (Dry Bulb / Wet Bulb)											
		67 / 57		71 / 60		75 / 63		80 / 67		85 / 71		90 / 75	
		Total Cap.	Power Input	Total Cap.	Power Input	Total Cap.	Power Input	Total Cap.	Power Input	Total Cap.	Power Input	Total Cap.	Power Input
		MBH	kW	MBH	kW	MBH	kW	MBH	kW	MBH	kW	MBH	kW
50%	-10	75.1	2.4	94.6	3.0	110.3	3.6	132.0	4.4	154.7	5.2	176.3	6.1
	-5	77.8	2.6	94.6	3.2	110.3	3.8	132.0	4.7	154.7	5.6	176.3	6.5
	10	77.8	2.7	94.6	3.3	110.3	3.9	132.0	4.8	154.7	5.7	176.3	6.7
	15	77.8	2.7	94.6	3.4	110.3	4.0	132.0	4.9	154.7	5.8	176.3	6.8
	20	77.8	2.8	94.6	3.5	110.3	4.1	132.0	5.0	154.7	6.0	176.3	6.9
	25	77.8	2.9	94.6	3.5	110.3	4.2	132.0	5.1	154.7	6.1	176.3	7.1
	30	77.8	2.9	94.6	3.6	110.3	4.3	132.0	5.2	154.7	6.2	176.3	7.3
	35	77.8	3.0	94.6	3.7	110.3	4.4	132.0	5.3	154.7	6.4	176.3	7.4
	40	77.8	3.1	94.6	3.8	110.3	4.5	132.0	5.5	154.7	6.5	176.3	7.6
	45	77.8	3.2	94.6	3.9	110.3	4.6	132.0	5.6	154.7	6.7	176.3	7.8
	50	77.8	3.2	94.6	4.0	110.3	4.7	132.0	5.7	154.7	6.9	176.3	8.0
	55	77.8	3.3	94.6	4.1	110.3	4.8	132.0	5.9	154.7	7.1	176.3	8.2
	60	77.8	3.4	94.6	4.2	110.3	5.0	132.0	6.0	154.7	7.2	176.3	8.5
	65	77.8	3.5	94.6	4.3	110.3	5.1	132.0	6.2	154.7	7.4	176.3	8.7
	70	77.8	3.8	94.6	4.7	110.3	5.5	132.0	6.8	154.7	8.1	176.3	9.5
	75	77.8	4.2	94.6	5.2	110.3	6.1	132.0	7.4	154.7	8.9	176.3	10.4
	80	77.8	4.6	94.6	5.7	110.3	6.7	132.0	8.2	154.7	9.8	176.3	11.4
	85	77.8	5.1	94.6	6.2	110.3	7.3	132.0	8.9	154.7	10.7	176.3	12.5
90	77.8	5.5	94.6	6.8	110.3	8.0	132.0	9.8	154.7	11.7	176.3	13.7	
95	77.8	6.1	94.6	7.4	110.3	8.8	132.0	10.7	154.7	12.8	176.3	15.0	
100	77.8	6.6	94.6	8.1	110.3	9.5	132.0	11.6	154.7	13.9	176.3	16.3	
105	77.8	7.1	94.6	8.7	110.3	10.3	132.0	12.6	154.7	15.0	176.3	17.6	
110	77.8	7.6	94.6	9.3	110.3	11.0	132.0	13.4	154.7	16.1	176.3	18.8	
115	77.8	8.0	94.6	9.9	110.3	11.7	132.0	14.2	154.7	17.0	176.3	19.9	
118	77.8	8.3	94.6	10.2	110.3	12.0	132.0	14.6	154.7	17.5	176.3	20.5	
125	77.8	8.6	94.6	10.6	110.3	12.5	129.0	14.9	143.1	16.9	156.0	19.0	

NOTE - Power Input = Compressor + Outdoor Fan Motor.  
 MBH = 1000 BTUs per hour.

# HEATING CAPACITY - TWO MODULE | VRB264H4

Combination (%)	Outdoor Temperature (°F)		Indoor Temperature - °F Dry Bulb											
			61		64		67		70		73		75	
			Total Cap.	Power Input	Total Cap.	Power Input	Total Cap.	Power Input	Total Cap.	Power Input	Total Cap.	Power Input	Total Cap.	Power Input
	Dry Bulb	Wet Bulb	MBH	kW	MBH	kW	MBH	kW	MBH	kW	MBH	kW	MBH	kW
130%	-13	-14	165.8	18.4	165.4	18.9	165.0	19.4	164.6	19.9	164.1	20.5	163.9	20.9
	-8	-9	172.2	19.1	171.7	19.6	171.3	20.1	170.9	20.7	170.4	21.3	170.2	21.7
	-3	-4	183.5	20.2	183.0	20.8	182.6	21.3	182.1	21.9	181.6	22.6	181.3	23.0
	2	1	198.3	21.6	197.8	22.2	197.3	22.7	196.8	23.4	196.3	24.1	196.0	24.5
	7	6	215.4	23.0	214.9	23.6	214.3	24.2	213.8	24.9	213.2	25.6	212.9	26.1
	12	10	233.6	24.4	233.0	25.0	232.5	25.6	231.9	26.3	231.3	27.0	230.9	27.5
	17	15	252.0	25.6	251.4	26.2	250.8	26.8	250.1	27.5	249.5	28.3	249.1	28.8
	22	20	269.8	26.5	269.1	27.1	268.4	27.7	267.7	28.4	267.0	29.1	266.6	29.6
	27	24	286.2	27.0	285.5	27.6	284.8	28.3	284.1	28.9	283.4	29.6	282.9	30.1
	32	29	300.9	27.3	300.2	27.9	299.4	28.4	298.7	29.1	298.1	29.5	297.5	29.0
	37	34	313.5	27.2	312.7	27.7	312.0	28.3	311.4	28.3	310.8	27.7	310.2	27.2
	42	38	323.9	26.8	323.3	27.3	322.7	26.9	322.1	26.4	321.5	26.0	320.9	25.6
	47	43	342.6	26.7	342.0	26.3	341.4	25.9	340.8	25.5	340.2	25.1	339.7	24.9
	52	47	375.6	26.6	375.0	26.3	374.4	26.0	373.8	25.7	361.7	24.6	345.9	23.4
	57	52	407.3	26.5	406.8	26.3	406.2	26.1	386.1	24.6	361.7	22.9	345.9	21.8
	62	56	437.9	26.4	433.5	25.9	410.5	24.4	386.1	22.9	361.7	21.3	345.9	20.3
	67	61	457.9	25.6	433.5	24.2	410.5	22.8	386.1	21.4	361.7	20.0	345.9	19.0
	72	66	457.9	23.9	433.5	22.6	410.5	21.4	386.1	20.1	361.7	18.8	345.9	17.9
	75	69	457.9	23.0	433.5	21.8	410.5	20.6	386.1	19.4	361.7	18.1	345.9	17.3
	80	74	457.9	21.7	433.5	20.5	410.5	19.4	386.1	18.3	361.7	17.1	345.9	16.4
120%	-13	-14	165.1	18.0	164.7	18.5	164.3	19.0	163.9	19.5	163.5	20.1	163.2	20.5
	-8	-9	171.5	18.7	171.1	19.2	170.6	19.7	170.2	20.3	169.8	20.9	169.5	21.3
	-3	-4	182.8	19.8	182.3	20.4	181.9	20.9	181.4	21.5	180.9	22.1	180.6	22.6
	2	1	197.5	21.2	197.0	21.7	196.6	22.3	196.1	22.9	195.6	23.6	195.2	24.1
	7	6	214.6	22.6	214.0	23.2	213.5	23.8	212.9	24.4	212.4	25.1	212.0	25.6
	12	10	232.7	23.9	232.1	24.5	231.5	25.1	231.0	25.8	230.4	26.5	230.0	27.0
	17	15	251.0	25.1	250.4	25.7	249.8	26.3	249.1	27.0	248.5	27.7	248.1	28.2
	22	20	268.7	25.9	268.0	26.6	267.4	27.2	266.7	27.9	266.0	28.6	265.5	29.1
	27	24	285.1	26.5	284.4	27.1	283.7	27.7	283.0	28.4	282.2	29.1	281.8	29.5
	32	29	299.7	26.7	299.0	27.3	298.3	27.9	297.5	28.5	296.9	29.0	296.3	28.4
	37	34	312.3	26.6	311.5	27.2	310.8	27.7	310.2	27.7	309.6	27.1	309.0	26.7
	42	38	322.6	26.3	322.0	26.8	321.4	26.4	320.8	25.9	320.2	25.5	317.1	25.0
	47	43	342.6	26.3	342.0	25.9	341.4	25.5	340.8	25.1	333.9	24.3	319.3	23.1
	52	47	375.6	26.2	375.0	25.9	374.4	25.6	356.4	24.2	333.9	22.4	319.3	21.3
	57	52	407.3	26.1	400.1	25.5	378.9	23.9	356.4	22.3	333.9	20.8	319.3	19.8
	62	56	422.6	25.0	400.1	23.6	378.9	22.2	356.4	20.8	333.9	19.4	319.3	18.5
	67	61	422.6	23.3	400.1	22.0	378.9	20.7	356.4	19.4	333.9	18.1	319.3	17.3
	72	66	422.6	21.8	400.1	20.6	378.9	19.4	356.4	18.2	333.9	17.1	319.3	16.3
	75	69	422.6	20.9	400.1	19.8	378.9	18.7	356.4	17.6	333.9	16.5	319.3	15.7
	80	74	422.6	19.7	400.1	18.6	378.9	17.7	356.4	16.6	333.9	15.6	319.3	14.9
110%	-13	-14	164.5	17.7	164.1	18.1	163.7	18.6	163.2	19.2	162.8	19.7	162.6	20.1
	-8	-9	170.8	18.4	170.4	18.9	170.0	19.4	169.5	19.9	169.1	20.5	168.8	20.9
	-3	-4	182.0	19.4	181.6	20.0	181.1	20.5	180.7	21.1	180.2	21.7	179.9	22.1
	2	1	196.8	20.8	196.3	21.3	195.8	21.9	195.3	22.5	194.8	23.1	194.5	23.6
	7	6	213.7	22.1	213.2	22.7	212.6	23.3	212.1	23.9	211.6	24.6	211.2	25.1
	12	10	231.8	23.5	231.2	24.1	230.6	24.6	230.0	25.3	229.4	26.0	229.1	26.5
	17	15	250.0	24.6	249.4	25.2	248.8	25.8	248.1	26.5	247.5	27.2	247.1	27.7
	22	20	267.6	25.5	266.9	26.1	266.3	26.7	265.6	27.3	264.9	28.0	264.5	28.5
	27	24	284.0	26.0	283.2	26.6	282.6	27.2	281.8	27.8	281.1	28.5	281.1	29.0
	32	29	298.6	26.2	297.8	26.8	297.1	27.4	296.3	28.0	295.7	28.4	290.6	27.5
	37	34	311.1	26.1	310.3	26.7	309.5	27.2	308.9	27.2	304.3	26.3	292.7	24.9
	42	38	321.3	25.7	320.7	26.3	320.1	25.9	319.5	25.4	306.1	24.0	292.7	22.7
	47	43	342.6	25.9	342.0	25.5	341.4	25.1	326.7	23.7	306.1	21.9	292.7	20.8
	52	47	375.6	25.8	366.8	25.0	347.3	23.4	326.7	21.8	306.1	20.2	292.7	19.2
	57	52	387.4	24.5	366.8	23.0	347.3	21.6	326.7	20.2	306.1	18.8	292.7	17.8
	62	56	387.4	22.6	366.8	21.3	347.3	20.1	326.7	18.8	306.1	17.5	292.7	16.7
	67	61	387.4	21.0	366.8	19.8	347.3	18.7	326.7	17.5	306.1	16.4	292.7	15.6
	72	66	387.4	19.6	366.8	18.6	347.3	17.5	326.7	16.5	306.1	15.4	292.7	14.7
	75	69	387.4	18.9	366.8	17.9	347.3	16.9	326.7	15.9	306.1	14.9	292.7	14.2
	80	74	387.4	17.8	366.8	16.8	347.3	15.9	326.7	15.0	306.1	14.1	292.7	13.4

NOTE - Power Input = Compressor + Outdoor Fan Motor.  
 MBH = 1000 BTUs per hour.

# HEATING CAPACITY - TWO MODULE | VRB264H4

Combination (%)	Outdoor Temperature (°F)		Indoor Temperature - °F Dry Bulb											
			61		64		67		70		73		75	
	Dry Bulb	Wet Bulb	Total Cap. MBH	Power Input kW	Total Cap. MBH	Power Input kW	Total Cap. MBH	Power Input kW	Total Cap. MBH	Power Input kW	Total Cap. MBH	Power Input kW	Total Cap. MBH	Power Input kW
100%	-13	-14	163.8	17.3	163.4	17.8	163.0	18.3	162.6	18.8	162.2	19.4	161.9	19.8
	-8	-9	170.1	18.0	169.7	18.5	169.3	19.0	168.9	19.5	168.4	20.1	168.1	20.5
	-3	-4	181.3	19.1	180.8	19.6	180.4	20.1	179.9	20.7	179.5	21.3	179.2	21.7
	2	1	196.0	20.4	195.5	20.9	195.0	21.5	194.5	22.1	194.0	22.7	193.7	23.2
	7	6	212.9	21.7	212.3	22.3	211.8	22.9	211.3	23.5	210.7	24.2	210.4	24.6
	12	10	230.9	23.0	230.3	23.6	229.7	24.2	229.1	24.8	228.5	25.5	228.1	26.0
	17	15	249.0	24.1	248.4	24.7	247.8	25.3	247.1	26.0	246.5	26.7	246.1	27.1
	22	20	266.6	25.0	265.9	25.6	265.2	26.1	264.6	26.8	263.9	27.5	263.6	27.7
	27	24	282.8	25.5	282.1	26.1	281.4	26.7	280.7	27.3	275.6	27.6	266.1	27.1
	32	29	297.4	25.7	296.6	26.3	295.9	26.8	293.0	27.3	278.2	26.4	266.1	24.8
	37	34	309.8	25.6	309.0	26.2	308.3	26.7	297.0	25.8	278.2	23.7	266.1	22.3
	42	38	320.0	25.3	319.2	25.8	314.6	25.1	297.0	23.3	278.2	21.5	266.1	20.3
	47	43	328.0	24.4	327.1	24.0	315.8	22.9	297.0	21.2	278.2	19.6	266.1	18.6
	52	47	333.7	22.6	331.9	22.3	315.8	21.0	297.0	19.5	278.2	18.1	266.1	17.2
	57	52	337.7	21.0	333.4	20.6	315.8	19.3	297.0	18.1	278.2	16.8	266.1	16.0
	62	56	340.2	19.6	333.4	19.1	315.8	18.0	297.0	16.8	278.2	15.7	266.1	14.9
	67	61	342.0	18.3	333.4	17.8	315.8	16.8	297.0	15.7	278.2	14.7	266.1	14.0
	72	66	343.6	17.2	333.4	16.6	315.8	15.7	297.0	14.7	278.2	13.8	266.1	13.2
75	69	345.0	16.6	333.4	16.0	315.8	15.1	297.0	14.2	278.2	13.3	266.1	12.7	
80	74	348.5	15.7	333.4	15.1	315.8	14.3	297.0	13.4	278.2	12.6	266.1	12.0	
90%	-13	-14	163.2	17.0	162.8	17.5	162.4	17.9	161.9	18.5	161.5	19.0	161.3	19.4
	-8	-9	169.5	17.7	169.0	18.2	168.6	18.6	168.2	19.2	167.7	19.7	167.5	20.1
	-3	-4	180.6	18.7	180.1	19.2	179.7	19.7	179.2	20.3	178.8	20.9	178.5	21.3
	2	1	195.2	20.0	194.7	20.5	194.2	21.1	193.7	21.6	193.2	22.3	192.9	22.7
	7	6	212.0	21.3	211.5	21.9	211.0	22.4	210.4	23.1	209.9	23.7	209.5	24.2
	12	10	229.9	22.6	229.3	23.2	228.8	23.7	228.2	24.4	227.6	25.0	227.2	25.5
	17	15	248.0	23.7	247.4	24.3	246.8	24.8	246.2	25.5	244.6	26.1	238.5	25.9
	22	20	265.5	24.5	264.8	25.1	264.2	25.7	262.0	26.2	250.4	25.7	239.5	25.1
	27	24	281.7	25.0	281.0	25.6	279.0	26.0	267.3	25.6	250.4	24.7	239.5	24.0
	32	29	296.2	25.3	294.8	25.7	284.2	25.4	267.3	24.5	250.4	23.4	239.5	22.0
	37	34	308.6	25.2	300.1	25.1	284.2	24.3	267.3	22.9	250.4	21.0	239.5	19.8
	42	38	315.4	24.5	300.1	23.9	284.2	22.3	267.3	20.7	250.4	19.0	239.5	18.0
	47	43	311.7	22.8	300.1	21.7	284.2	20.3	267.3	18.8	250.4	17.4	239.5	16.5
	52	47	308.3	20.5	300.1	19.8	284.2	18.6	267.3	17.3	250.4	16.1	239.5	15.3
	57	52	310.4	19.0	300.1	18.2	284.2	17.2	267.3	16.0	250.4	14.9	239.5	14.2
	62	56	311.7	17.6	300.1	16.9	284.2	15.9	267.3	14.9	250.4	13.9	239.5	13.2
	67	61	312.6	16.4	300.1	15.7	284.2	14.9	267.3	13.9	250.4	13.0	239.5	12.4
	72	66	313.1	15.4	300.1	14.7	284.2	13.9	267.3	13.1	250.4	12.2	239.5	11.7
75	69	313.3	14.8	300.1	14.2	284.2	13.4	267.3	12.6	250.4	11.8	239.5	11.3	
80	74	313.8	14.0	300.1	13.4	284.2	12.7	267.3	11.9	250.4	11.2	239.5	10.7	
80%	-13	-14	162.5	16.7	162.1	17.1	161.7	17.6	161.3	18.1	160.9	18.7	160.6	19.0
	-8	-9	168.8	17.3	168.3	17.8	167.9	18.3	167.5	18.8	167.1	19.4	166.8	19.8
	-3	-4	179.9	18.4	179.4	18.9	179.0	19.4	178.5	19.9	178.1	20.5	177.8	20.9
	2	1	194.4	19.6	193.9	20.1	193.4	20.7	192.9	21.2	192.4	21.9	192.1	22.3
	7	6	211.2	20.9	210.6	21.5	210.1	22.0	209.6	22.6	209.0	23.3	207.6	23.6
	12	10	229.0	22.2	228.4	22.7	227.9	23.3	227.3	23.9	221.0	24.0	212.9	23.6
	17	15	247.0	23.2	246.4	23.8	245.8	24.4	237.5	24.3	222.6	23.4	212.9	22.8
	22	20	264.4	24.0	261.8	24.4	252.6	24.2	237.6	23.4	222.6	22.5	212.9	22.0
	27	24	277.8	24.3	266.7	24.0	252.6	23.3	237.6	22.5	222.6	21.6	212.9	21.0
	32	29	281.8	23.7	266.7	23.0	252.6	22.3	237.6	21.5	222.6	20.5	212.9	19.3
	37	34	281.8	22.7	266.7	21.9	252.6	21.2	237.6	20.0	222.6	18.4	212.9	17.3
	42	38	281.8	21.6	266.7	20.9	252.6	19.6	237.6	18.1	222.6	16.7	212.9	15.8
	47	43	281.8	20.4	266.7	19.0	252.6	17.8	237.6	16.5	222.6	15.3	212.9	14.5
	52	47	281.8	18.5	266.7	17.4	252.6	16.3	237.6	15.2	222.6	14.1	212.9	13.4
	57	52	281.8	17.0	266.7	16.0	252.6	15.0	237.6	14.0	222.6	13.0	212.9	12.4
	62	56	281.8	15.7	266.7	14.8	252.6	14.0	237.6	13.1	222.6	12.2	212.9	11.6
	67	61	281.8	14.6	266.7	13.8	252.6	13.0	237.6	12.2	222.6	11.4	212.9	10.9
	72	66	281.8	13.7	266.7	12.9	252.6	12.2	237.6	11.5	222.6	10.7	212.9	10.2
75	69	281.8	13.1	266.7	12.4	252.6	11.8	237.6	11.0	222.6	10.3	212.9	9.9	
80	74	281.8	12.4	266.7	11.7	252.6	11.1	237.6	10.4	222.6	9.8	212.9	9.4	

NOTE - Power Input = Compressor + Outdoor Fan Motor.  
 MBH = 1000 BTUs per hour.

# HEATING CAPACITY - TWO MODULE | VRB264H4

Combination (%)	Outdoor Temperature (°F)		Indoor Temperature - °F Dry Bulb											
			61		64		67		70		73		75	
			Total Cap.	Power Input	Total Cap.	Power Input	Total Cap.	Power Input	Total Cap.	Power Input	Total Cap.	Power Input	Total Cap.	Power Input
Dry Bulb	Wet Bulb	MBH	kW	MBH	kW	MBH	kW	MBH	kW	MBH	kW	MBH	kW	
70%	-13	-14	161.9	16.4	161.5	16.8	161.1	17.3	160.6	17.8	160.2	18.3	160.0	18.7
	-8	-9	168.1	17.0	167.7	17.5	167.3	17.9	166.8	18.5	166.4	19.0	166.1	19.4
	-3	-4	179.1	18.0	178.7	18.5	178.2	19.0	177.8	19.6	177.3	20.1	177.0	20.5
	2	1	193.6	19.3	193.1	19.8	192.7	20.3	192.2	20.9	190.0	21.3	185.3	21.2
	7	6	210.3	20.5	209.8	21.1	209.3	21.6	204.9	21.8	194.8	21.4	186.3	20.9
	12	10	228.1	21.8	227.2	22.3	220.2	22.2	207.9	21.6	194.8	20.8	186.3	20.3
	17	15	242.7	22.5	233.4	22.3	221.0	21.6	207.9	20.9	194.8	20.2	186.3	19.7
	22	20	246.5	22.1	233.4	21.5	221.0	20.9	207.9	20.2	194.8	19.4	186.3	18.9
	27	24	246.5	21.3	233.4	20.7	221.0	20.1	207.9	19.4	194.8	18.6	186.3	18.1
	32	29	246.5	20.4	233.4	19.8	221.0	19.2	207.9	18.5	194.8	17.7	186.3	16.6
	37	34	246.5	19.5	233.4	18.9	221.0	18.3	207.9	17.3	194.8	15.9	186.3	15.0
	42	38	246.5	18.6	233.4	18.0	221.0	16.9	207.9	15.6	194.8	14.4	186.3	13.6
	47	43	246.5	17.6	233.4	16.4	221.0	15.3	207.9	14.2	194.8	13.2	186.3	12.5
	52	47	246.5	16.0	233.4	15.0	221.0	14.0	207.9	13.1	194.8	12.1	186.3	11.5
	57	52	246.5	14.7	233.4	13.8	221.0	13.0	207.9	12.1	194.8	11.2	186.3	10.7
	62	56	246.5	13.6	233.4	12.8	221.0	12.0	207.9	11.3	194.8	10.5	186.3	10.0
	67	61	246.5	12.6	233.4	11.9	221.0	11.2	207.9	10.5	194.8	9.8	186.3	9.4
	72	66	246.5	11.8	233.4	11.1	221.0	10.5	207.9	9.9	194.8	9.2	186.3	8.8
	75	69	246.5	11.3	233.4	10.7	221.0	10.1	207.9	9.5	194.8	8.9	186.3	8.5
	80	74	246.5	10.7	233.4	10.1	221.0	9.6	207.9	9.0	194.8	8.4	186.3	8.1
60%	-13	-14	161.2	16.1	160.8	16.5	160.4	17.0	160.0	17.5	159.5	18.0	155.5	17.9
	-8	-9	167.4	16.7	167.0	17.2	166.6	17.6	166.2	18.1	162.8	18.4	158.7	18.3
	-3	-4	178.4	17.7	178.0	18.2	177.5	18.7	174.3	18.9	166.9	18.7	159.7	18.3
	2	1	192.8	18.9	192.3	19.4	187.2	19.5	178.2	19.1	166.9	18.5	159.7	18.0
	7	6	207.1	20.0	200.1	19.9	189.5	19.3	178.2	18.7	166.9	18.1	159.7	17.7
	12	10	211.3	19.9	200.1	19.4	189.5	18.8	178.2	18.2	166.9	17.6	159.7	17.2
	17	15	211.3	19.3	200.1	18.8	189.5	18.3	178.2	17.7	166.9	17.1	159.7	16.6
	22	20	211.3	18.7	200.1	18.2	189.5	17.6	178.2	17.1	166.9	16.4	159.7	16.0
	27	24	211.3	18.0	200.1	17.5	189.5	17.0	178.2	16.4	166.9	15.8	159.7	15.3
	32	29	211.3	17.3	200.1	16.7	189.5	16.2	178.2	15.7	166.9	14.9	159.7	14.0
	37	34	211.3	16.5	200.1	16.0	189.5	15.5	178.2	14.6	166.9	13.4	159.7	12.6
	42	38	211.3	15.7	200.1	15.2	189.5	14.3	178.2	13.2	166.9	12.2	159.7	11.5
	47	43	211.3	14.8	200.1	13.9	189.5	13.0	178.2	12.0	166.9	11.1	159.7	10.5
	52	47	211.3	13.5	200.1	12.7	189.5	11.9	178.2	11.1	166.9	10.2	159.7	9.7
	57	52	211.3	12.4	200.1	11.6	189.5	11.0	178.2	10.2	166.9	9.5	159.7	9.0
	62	56	211.3	11.5	200.1	10.8	189.5	10.2	178.2	9.5	166.9	8.9	159.7	8.4
	67	61	211.3	10.7	200.1	10.0	189.5	9.5	178.2	8.9	166.9	8.3	159.7	7.9
	72	66	211.3	10.0	200.1	9.4	189.5	8.9	178.2	8.3	166.9	7.8	159.7	7.5
	75	69	211.3	9.6	200.1	9.1	189.5	8.6	178.2	8.1	166.9	7.5	159.7	7.2
	80	74	211.3	9.0	200.1	8.5	189.5	8.1	178.2	7.6	166.9	7.1	159.7	6.8
50%	-13	-14	160.6	15.8	159.7	16.2	154.7	16.2	148.5	16.0	139.1	15.5	133.0	15.1
	-8	-9	166.7	16.4	163.0	16.5	157.9	16.5	148.5	16.0	139.1	15.5	133.0	15.1
	-3	-4	173.5	17.0	166.7	16.8	157.9	16.4	148.5	15.9	139.1	15.4	133.0	15.0
	2	1	176.1	17.1	166.7	16.6	157.9	16.2	148.5	15.7	139.1	15.2	133.0	14.8
	7	6	176.1	16.8	166.7	16.3	157.9	15.9	148.5	15.4	139.1	14.9	133.0	14.5
	12	10	176.1	16.4	166.7	15.9	157.9	15.5	148.5	15.0	139.1	14.5	133.0	14.1
	17	15	176.1	15.9	166.7	15.5	157.9	15.0	148.5	14.5	139.1	14.0	133.0	13.7
	22	20	176.1	15.4	166.7	14.9	157.9	14.5	148.5	14.0	139.1	13.5	133.0	13.2
	27	24	176.1	14.8	166.7	14.4	157.9	13.9	148.5	13.5	139.1	12.9	133.0	12.6
	32	29	176.1	14.2	166.7	13.8	157.9	13.3	148.5	12.9	139.1	12.3	133.0	11.5
	37	34	176.1	13.6	166.7	13.1	157.9	12.7	148.5	12.0	139.1	11.0	133.0	10.4
	42	38	176.1	12.9	166.7	12.5	157.9	11.7	148.5	10.8	139.1	10.0	133.0	9.5
	47	43	176.1	12.2	166.7	11.4	157.9	10.6	148.5	9.9	139.1	9.1	133.0	8.7
	52	47	176.1	11.1	166.7	10.4	157.9	9.8	148.5	9.1	139.1	8.4	133.0	8.0
	57	52	176.1	10.2	166.7	9.6	157.9	9.0	148.5	8.4	139.1	7.8	133.0	7.4
	62	56	176.1	9.4	166.7	8.9	157.9	8.4	148.5	7.8	139.1	7.3	133.0	6.9
	67	61	176.1	8.8	166.7	8.3	157.9	7.8	148.5	7.3	139.1	6.8	133.0	6.5
	72	66	176.1	8.2	166.7	7.7	157.9	7.3	148.5	6.9	139.1	6.4	133.0	6.1
	75	69	176.1	7.9	166.7	7.4	157.9	7.0	148.5	6.6	139.1	6.2	133.0	5.9
	80	74	176.1	7.4	166.7	7.0	157.9	6.6	148.5	6.2	139.1	5.9	133.0	5.6

NOTE - Power Input = Compressor + Outdoor Fan Motor.  
MBH = 1000 BTUs per hour.



# COOLING CAPACITY - TWO MODULE | VRB288H4

Combination (%)	Outdoor Temperature °F (Dry Bulb)	Indoor Temperature - °F (Dry Bulb / Wet Bulb)											
		67 / 57		71 / 60		75 / 63		80 / 67		85 / 71		90 / 75	
		Total Cap.	Power Input	Total Cap.	Power Input	Total Cap.	Power Input	Total Cap.	Power Input	Total Cap.	Power Input	Total Cap.	Power Input
		MBH	kW	MBH	kW	MBH	kW	MBH	kW	MBH	kW	MBH	kW
130%	-10	220.7	8.2	268.2	10.0	312.9	11.9	374.4	14.5	438.7	17.3	492.7	19.9
	-5	220.7	8.7	268.2	10.7	312.9	12.6	374.4	15.4	438.7	18.4	468.9	20.2
	10	220.7	8.9	268.2	10.9	312.9	12.9	374.4	15.7	438.7	18.8	460.5	20.2
	15	220.7	9.1	268.2	11.1	312.9	13.2	374.4	16.0	436.1	19.1	451.1	20.3
	20	220.7	9.3	268.2	11.4	312.9	13.4	374.4	16.4	431.9	19.3	441.7	20.3
	25	220.7	9.5	268.2	11.7	312.9	13.8	374.4	16.8	427.6	19.6	432.0	20.3
	30	220.7	9.7	268.2	11.9	312.9	14.1	374.4	17.2	417.1	19.6	422.8	20.3
	35	220.7	9.9	268.2	12.2	312.9	14.4	374.4	17.6	408.4	19.6	414.2	20.4
	40	220.7	10.2	268.2	12.5	312.9	14.8	374.4	18.0	403.3	19.9	409.1	20.6
	45	220.7	10.4	268.2	12.8	312.9	15.1	374.4	18.5	401.9	20.3	407.7	21.1
	50	220.7	10.7	268.2	13.2	312.9	15.5	374.4	18.9	401.1	20.8	406.9	21.6
	55	220.7	11.0	268.2	13.5	312.9	15.9	374.4	19.4	400.8	21.3	406.6	22.1
	60	220.7	11.3	268.2	13.9	312.9	16.4	374.4	20.0	402.3	22.0	406.5	22.7
	65	220.7	11.6	268.2	14.3	312.9	16.8	374.4	20.5	398.8	22.4	406.4	23.4
	70	220.7	12.6	268.2	15.5	312.9	18.3	374.4	22.3	398.2	24.3	405.9	25.4
	75	220.7	13.8	268.2	17.0	312.9	20.1	371.4	24.3	396.8	26.6	404.4	27.8
	80	220.7	15.2	268.2	18.7	312.9	22.1	369.9	26.6	393.8	29.0	401.4	30.3
	85	220.7	16.7	268.2	20.5	312.9	24.2	367.6	29.0	388.8	31.4	396.3	32.8
	90	220.7	18.3	268.2	22.5	312.9	26.5	364.1	31.5	381.0	33.7	388.3	35.2
	95	220.7	20.0	268.2	24.5	312.9	29.0	343.7	32.5	349.5	33.8	355.3	35.2
100	220.7	21.7	268.2	26.7	306.7	30.9	327.7	33.7	333.4	35.0	339.8	36.6	
105	220.7	23.4	268.2	28.8	297.3	32.4	304.1	33.7	313.1	35.5	319.1	37.1	
110	220.7	25.1	256.9	29.6	268.0	31.2	278.3	33.1	286.6	34.8	292.1	36.3	
115	213.4	25.7	228.5	27.9	236.4	29.2	245.5	30.9	252.8	32.5	257.6	33.9	
118	197.5	24.5	206.2	25.8	213.4	27.1	221.6	28.6	228.2	30.2	232.6	31.5	
125	137.2	17.8	143.3	18.7	148.2	19.6	154.0	20.8	158.5	21.9	161.6	22.8	
120%	-10	203.7	7.4	247.6	9.1	288.9	10.8	345.6	13.1	404.9	15.7	461.7	18.4
	-5	203.7	7.9	247.6	9.7	288.9	11.5	345.6	14.0	404.9	16.7	456.5	19.3
	10	203.7	8.1	247.6	9.9	288.9	11.7	345.6	14.3	404.9	17.1	452.6	19.6
	15	203.7	8.2	247.6	10.1	288.9	12.0	345.6	14.6	404.9	17.5	443.3	19.6
	20	203.7	8.4	247.6	10.4	288.9	12.2	345.6	14.9	404.9	17.8	434.0	19.6
	25	203.7	8.6	247.6	10.6	288.9	12.5	345.6	15.2	404.9	18.3	424.3	19.6
	30	203.7	8.8	247.6	10.8	288.9	12.8	345.6	15.6	400.7	18.5	415.2	19.6
	35	203.7	9.0	247.6	11.1	288.9	13.1	345.6	16.0	396.8	18.8	406.6	19.7
	40	203.7	9.2	247.6	11.4	288.9	13.4	345.6	16.4	394.2	19.1	401.4	19.9
	45	203.7	9.5	247.6	11.7	288.9	13.8	345.6	16.8	393.2	19.5	400.0	20.4
	50	203.7	9.7	247.6	12.0	288.9	14.1	345.6	17.2	392.4	20.0	399.2	20.8
	55	203.7	10.0	247.6	12.3	288.9	14.5	345.6	17.7	391.8	20.5	398.9	21.4
	60	203.7	10.3	247.6	12.6	288.9	14.9	345.6	18.1	391.9	21.1	398.9	22.0
	65	203.7	10.5	247.6	13.0	288.9	15.3	345.6	18.6	390.3	21.6	398.8	22.6
	70	203.7	11.5	247.6	14.1	288.9	16.6	345.6	20.3	389.7	23.4	398.2	24.5
	75	203.7	12.6	247.6	15.5	288.9	18.3	345.6	22.3	388.7	25.6	396.7	26.8
	80	203.7	13.8	247.6	17.0	288.9	20.1	345.6	24.4	386.4	28.0	393.8	29.2
	85	203.7	15.2	247.6	18.6	288.9	22.0	345.6	26.8	381.5	30.3	388.8	31.7
	90	203.7	16.6	247.6	20.4	288.9	24.1	345.6	29.4	373.8	32.6	380.9	34.0
	95	203.7	18.1	247.6	22.3	288.9	26.3	334.6	31.1	349.5	33.3	355.3	34.6
100	203.7	19.7	247.6	24.2	288.9	28.6	328.1	33.2	333.4	34.5	339.8	36.0	
105	203.7	21.3	247.6	26.2	283.3	30.3	304.1	33.2	313.1	35.0	319.1	36.5	
110	203.7	22.8	244.8	27.7	268.0	30.8	278.3	32.5	286.6	34.3	292.1	35.8	
115	203.7	24.1	228.5	27.4	236.4	28.7	245.5	30.4	252.8	32.0	257.6	33.4	
118	193.7	23.6	206.2	25.5	213.4	26.7	221.6	28.2	228.2	29.7	232.6	31.0	
125	137.2	17.5	143.3	18.5	148.2	19.3	154.0	20.5	158.5	21.5	161.6	22.5	

NOTE - Power Input = Compressor + Outdoor Fan Motor.  
 MBH = 1000 BTUs per hour.

# COOLING CAPACITY - TWO MODULE | VRB288H4

Combination (%)	Outdoor Temperature °F (Dry Bulb)	Indoor Temperature - °F (Dry Bulb / Wet Bulb)											
		67 / 57		71 / 60		75 / 63		80 / 67		85 / 71		90 / 75	
		Total Cap.	Power Input	Total Cap.	Power Input	Total Cap.	Power Input	Total Cap.	Power Input	Total Cap.	Power Input	Total Cap.	Power Input
		MBH	KW	MBH	KW	MBH	KW	MBH	KW	MBH	KW	MBH	KW
110%	-10	186.8	6.7	227.0	8.2	264.8	9.7	316.8	11.9	371.2	14.2	423.2	16.6
	-5	186.8	7.1	227.0	8.8	264.8	10.3	316.8	12.6	371.2	15.1	423.2	17.6
	10	186.8	7.3	227.0	8.9	264.8	10.6	316.8	12.9	371.2	15.4	423.2	18.0
	15	186.8	7.4	227.0	9.1	264.8	10.8	316.8	13.2	371.2	15.8	423.1	18.4
	20	186.8	7.6	227.0	9.3	264.8	11.0	316.8	13.4	371.2	16.1	419.0	18.6
	25	186.8	7.8	227.0	9.6	264.8	11.3	316.8	13.8	371.2	16.5	414.8	18.9
	30	186.8	8.0	227.0	9.8	264.8	11.6	316.8	14.1	371.2	16.9	407.5	19.0
	35	186.8	8.1	227.0	10.0	264.8	11.8	316.8	14.4	371.2	17.3	399.0	19.0
	40	186.8	8.3	227.0	10.3	264.8	12.1	316.8	14.8	371.2	17.7	393.6	19.2
	45	186.8	8.6	227.0	10.5	264.8	12.4	316.8	15.1	371.2	18.1	392.3	19.7
	50	186.8	8.8	227.0	10.8	264.8	12.7	316.8	15.5	371.2	18.6	391.6	20.1
	55	186.8	9.0	227.0	11.1	264.8	13.1	316.8	15.9	371.2	19.1	391.3	20.6
	60	186.8	9.3	227.0	11.4	264.8	13.4	316.8	16.4	369.1	19.5	391.2	21.2
	65	186.8	9.5	227.0	11.7	264.8	13.8	316.8	16.8	367.7	20.0	391.1	21.8
	70	186.8	10.4	227.0	12.7	264.8	15.0	316.8	18.3	367.0	21.7	390.5	23.7
	75	186.8	11.4	227.0	14.0	264.8	16.5	316.8	20.1	366.1	23.8	389.1	25.9
	80	186.8	12.5	227.0	15.3	264.8	18.1	316.8	22.1	364.6	26.0	386.2	28.2
	85	186.8	13.7	227.0	16.8	264.8	19.9	316.8	24.2	362.4	28.3	381.3	30.6
	90	186.8	15.0	227.0	18.4	264.8	21.8	316.8	26.5	359.1	30.8	373.6	32.8
	95	186.8	16.4	227.0	20.1	264.8	23.8	316.8	29.0	351.9	33.0	355.3	34.1
100	186.8	17.8	227.0	21.9	264.8	25.8	313.3	31.2	333.4	34.0	339.8	35.5	
105	186.8	19.2	227.0	23.6	264.8	27.9	302.0	32.5	313.1	34.4	319.1	36.0	
110	186.8	20.6	227.0	25.3	257.3	29.0	278.3	32.1	286.6	33.7	292.1	35.2	
115	186.8	21.8	219.5	25.9	236.4	28.3	245.5	29.9	252.8	31.5	257.6	32.9	
118	183.8	22.0	206.2	25.1	213.4	26.2	221.6	27.8	228.2	29.2	232.6	30.5	
125	137.2	17.2	143.3	18.2	148.2	19.0	154.0	20.1	158.5	21.2	161.6	22.1	
100%	-10	169.8	6.0	206.3	7.4	240.7	8.7	288.0	10.6	337.4	12.7	384.7	14.9
	-5	169.8	6.4	206.3	7.8	240.7	9.3	288.0	11.3	337.4	13.5	384.7	15.8
	10	169.8	6.5	206.3	8.0	240.7	9.5	288.0	11.5	337.4	13.8	384.7	16.1
	15	169.8	6.7	206.3	8.2	240.7	9.7	288.0	11.8	337.4	14.1	384.7	16.5
	20	169.8	6.8	206.3	8.4	240.7	9.9	288.0	12.0	337.4	14.4	384.6	16.8
	25	169.8	7.0	206.3	8.6	240.7	10.1	288.0	12.3	337.4	14.8	382.9	17.2
	30	169.8	7.1	206.3	8.8	240.7	10.3	288.0	12.6	337.4	15.1	381.3	17.5
	35	169.8	7.3	206.3	9.0	240.7	10.6	288.0	12.9	337.4	15.5	379.9	17.8
	40	169.8	7.5	206.3	9.2	240.7	10.9	288.0	13.2	337.4	15.8	378.7	18.2
	45	169.8	7.7	206.3	9.4	240.7	11.1	288.0	13.6	337.4	16.2	377.7	18.6
	50	169.8	7.9	206.3	9.7	240.7	11.4	288.0	13.9	337.4	16.7	376.9	19.1
	55	169.8	8.1	206.3	9.9	240.7	11.7	288.0	14.3	337.4	17.1	376.4	19.6
	60	169.8	8.3	206.3	10.2	240.7	12.0	288.0	14.7	337.4	17.6	375.9	20.1
	65	169.8	8.5	206.3	10.5	240.7	12.4	288.0	15.1	337.4	18.1	375.4	20.6
	70	169.8	9.3	206.3	11.4	240.7	13.5	288.0	16.4	337.4	19.6	374.8	22.4
	75	169.8	10.2	206.3	12.5	240.7	14.8	288.0	18.0	337.4	21.6	373.9	24.5
	80	169.8	11.2	206.3	13.7	240.7	16.2	288.0	19.8	337.4	23.7	372.4	26.8
	85	169.8	12.3	206.3	15.1	240.7	17.8	288.0	21.7	337.4	26.0	370.1	29.2
	90	169.8	13.4	206.3	16.5	240.7	19.5	288.0	23.8	336.6	28.4	366.3	31.7
	95	169.8	14.7	206.3	18.0	240.7	21.3	<b>288.0</b>	<b>25.9</b>	332.0	30.6	355.3	33.6
100	169.8	15.9	206.3	19.6	240.7	23.1	288.0	28.2	325.8	32.7	339.8	34.9	
105	169.8	17.2	206.3	21.2	240.7	25.0	285.2	30.2	313.1	33.9	319.1	35.4	
110	169.8	18.4	206.3	22.6	240.7	26.7	274.8	31.2	286.6	33.2	292.1	34.7	
115	169.8	19.5	206.3	24.0	230.5	27.1	245.5	29.5	252.8	31.0	257.6	32.4	
118	169.8	20.0	198.5	23.7	213.4	25.9	221.6	27.4	228.2	28.8	232.6	30.1	
125	137.2	17.0	143.3	17.9	148.2	18.7	154.0	19.8	158.5	20.9	161.6	21.8	

NOTE - Power Input = Compressor + Outdoor Fan Motor.  
MBH = 1000 BTUs per hour.

# COOLING CAPACITY - TWO MODULE | VRB288H4

Combination (%)	Outdoor Temperature °F (Dry Bulb)	Indoor Temperature - °F (Dry Bulb / Wet Bulb)											
		67 / 57		71 / 60		75 / 63		80 / 67		85 / 71		90 / 75	
		Total Cap.	Power Input	Total Cap.	Power Input	Total Cap.	Power Input	Total Cap.	Power Input	Total Cap.	Power Input	Total Cap.	Power Input
		MBH	kW	MBH	kW	MBH	kW	MBH	kW	MBH	kW	MBH	kW
90%	-10	152.8	5.3	185.7	6.5	216.6	7.7	259.2	9.4	303.7	11.3	346.2	13.2
	-5	152.8	5.7	185.7	7.0	216.6	8.2	259.2	10.0	303.7	12.0	346.2	14.0
	10	152.8	5.8	185.7	7.1	216.6	8.4	259.2	10.2	303.7	12.2	346.2	14.3
	15	152.8	5.9	185.7	7.3	216.6	8.6	259.2	10.5	303.7	12.5	346.2	14.6
	20	152.8	6.0	185.7	7.4	216.6	8.8	259.2	10.7	303.7	12.8	346.2	14.9
	25	152.8	6.2	185.7	7.6	216.6	9.0	259.2	10.9	303.7	13.1	346.2	15.3
	30	152.8	6.3	185.7	7.8	216.6	9.2	259.2	11.2	303.7	13.4	346.2	15.6
	35	152.8	6.5	185.7	8.0	216.6	9.4	259.2	11.4	303.7	13.7	346.2	16.0
	40	152.8	6.6	185.7	8.1	216.6	9.6	259.2	11.7	303.7	14.0	346.2	16.4
	45	152.8	6.8	185.7	8.4	216.6	9.9	259.2	12.0	303.7	14.4	346.2	16.8
	50	152.8	7.0	185.7	8.6	216.6	10.1	259.2	12.3	303.7	14.8	346.2	17.2
	55	152.8	7.2	185.7	8.8	216.6	10.4	259.2	12.7	303.7	15.2	346.2	17.7
	60	152.8	7.4	185.7	9.0	216.6	10.7	259.2	13.0	303.7	15.6	346.2	18.2
	65	152.8	7.6	185.7	9.3	216.6	11.0	259.2	13.4	303.7	16.0	346.2	18.7
	70	152.8	8.2	185.7	10.1	216.6	11.9	259.2	14.5	303.7	17.4	346.2	20.3
	75	152.8	9.0	185.7	11.1	216.6	13.1	259.2	16.0	303.7	19.1	346.2	22.3
	80	152.8	9.9	185.7	12.2	216.6	14.4	259.2	17.5	303.7	21.0	346.2	24.5
	85	152.8	10.9	185.7	13.4	216.6	15.8	259.2	19.2	303.7	23.0	344.8	26.8
	90	152.8	11.9	185.7	14.6	216.6	17.3	259.2	21.1	303.7	25.2	341.5	29.1
	95	152.8	13.0	185.7	16.0	216.6	18.9	259.2	23.0	303.7	27.6	339.7	31.6
100	152.8	14.1	185.7	17.4	216.6	20.5	259.2	25.0	303.5	29.9	333.4	33.7	
105	152.8	15.3	185.7	18.8	216.6	22.2	259.2	27.0	297.8	31.7	319.1	34.9	
110	152.8	16.3	185.7	20.1	216.6	23.7	258.0	28.8	286.6	32.7	292.1	34.2	
115	152.8	17.3	185.7	21.2	216.5	25.1	244.8	28.9	252.8	30.6	257.6	31.9	
118	152.8	17.8	185.7	21.8	207.3	24.7	221.6	26.9	228.2	28.4	232.6	29.6	
125	137.2	16.7	143.3	17.6	148.2	18.5	154.0	19.5	158.5	20.6	161.6	21.5	
80%	-10	135.8	4.7	165.1	5.7	192.6	6.8	230.4	8.3	269.9	9.9	307.8	11.5
	-5	135.8	5.0	165.1	6.1	192.6	7.2	230.4	8.8	269.9	10.5	307.8	12.3
	10	135.8	5.1	165.1	6.2	192.6	7.3	230.4	9.0	269.9	10.7	307.8	12.5
	15	135.8	5.2	165.1	6.4	192.6	7.5	230.4	9.2	269.9	11.0	307.8	12.8
	20	135.8	5.3	165.1	6.5	192.6	7.7	230.4	9.4	269.9	11.2	307.8	13.1
	25	135.8	5.4	165.1	6.6	192.6	7.9	230.4	9.6	269.9	11.5	307.8	13.4
	30	135.8	5.5	165.1	6.8	192.6	8.0	230.4	9.8	269.9	11.7	307.8	13.7
	35	135.8	5.7	165.1	7.0	192.6	8.2	230.4	10.0	269.9	12.0	307.8	14.0
	40	135.8	5.8	165.1	7.1	192.6	8.4	230.4	10.3	269.9	12.3	307.8	14.4
	45	135.8	6.0	165.1	7.3	192.6	8.6	230.4	10.5	269.9	12.6	307.8	14.7
	50	135.8	6.1	165.1	7.5	192.6	8.9	230.4	10.8	269.9	12.9	307.8	15.1
	55	135.8	6.3	165.1	7.7	192.6	9.1	230.4	11.1	269.9	13.3	307.8	15.5
	60	135.8	6.4	165.1	7.9	192.6	9.3	230.4	11.4	269.9	13.6	307.8	15.9
	65	135.8	6.6	165.1	8.1	192.6	9.6	230.4	11.7	269.9	14.0	307.8	16.4
	70	135.8	7.2	165.1	8.8	192.6	10.4	230.4	12.7	269.9	15.3	307.8	17.8
	75	135.8	7.9	165.1	9.7	192.6	11.5	230.4	14.0	269.9	16.7	307.8	19.6
	80	135.8	8.7	165.1	10.7	192.6	12.6	230.4	15.3	269.9	18.4	307.8	21.5
	85	135.8	9.5	165.1	11.7	192.6	13.8	230.4	16.8	269.9	20.2	307.8	23.6
	90	135.8	10.4	165.1	12.8	192.6	15.1	230.4	18.5	269.9	22.1	307.8	25.8
	95	135.8	11.4	165.1	14.0	192.6	16.5	230.4	20.2	269.9	24.1	307.8	28.2
100	135.8	12.4	165.1	15.2	192.6	18.0	230.4	21.9	269.9	26.2	307.8	30.6	
105	135.8	13.4	165.1	16.4	192.6	19.4	230.4	23.7	269.9	28.3	302.5	32.5	
110	135.8	14.3	165.1	17.6	192.6	20.8	230.4	25.3	267.4	30.0	291.6	33.6	
115	135.8	15.1	165.1	18.6	192.6	22.0	228.0	26.5	252.8	30.1	257.6	31.4	
118	135.8	15.6	165.1	19.1	192.6	22.6	218.4	26.2	228.2	28.0	232.6	29.2	
125	130.1	15.6	143.3	17.4	148.2	18.2	154.0	19.3	158.5	20.3	161.6	21.2	

NOTE - Power Input = Compressor + Outdoor Fan Motor.  
 MBH = 1000 BTUs per hour.

# COOLING CAPACITY - TWO MODULE | VRB288H4

Combination (%)	Outdoor Temperature °F (Dry Bulb)	Indoor Temperature - °F (Dry Bulb / Wet Bulb)											
		67 / 57		71 / 60		75 / 63		80 / 67		85 / 71		90 / 75	
		Total Cap.	Power Input	Total Cap.	Power Input	Total Cap.	Power Input	Total Cap.	Power Input	Total Cap.	Power Input	Total Cap.	Power Input
		MBH	KW	MBH	KW	MBH	KW	MBH	KW	MBH	KW	MBH	KW
70%	-10	118.9	4.0	144.4	4.9	168.5	5.8	201.6	7.1	236.2	8.5	269.3	10.0
	-5	118.9	4.3	144.4	5.3	168.5	6.2	201.6	7.6	236.2	9.1	269.3	10.6
	10	118.9	4.4	144.4	5.4	168.5	6.3	201.6	7.7	236.2	9.3	269.3	10.8
	15	118.9	4.5	144.4	5.5	168.5	6.5	201.6	7.9	236.2	9.5	269.3	11.0
	20	118.9	4.6	144.4	5.6	168.5	6.6	201.6	8.1	236.2	9.7	269.3	11.3
	25	118.9	4.7	144.4	5.7	168.5	6.8	201.6	8.3	236.2	9.9	269.3	11.5
	30	118.9	4.8	144.4	5.9	168.5	6.9	201.6	8.4	236.2	10.1	269.3	11.8
	35	118.9	4.9	144.4	6.0	168.5	7.1	201.6	8.6	236.2	10.4	269.3	12.1
	40	118.9	5.0	144.4	6.2	168.5	7.3	201.6	8.9	236.2	10.6	269.3	12.4
	45	118.9	5.1	144.4	6.3	168.5	7.5	201.6	9.1	236.2	10.9	269.3	12.7
	50	118.9	5.3	144.4	6.5	168.5	7.6	201.6	9.3	236.2	11.2	269.3	13.0
	55	118.9	5.4	144.4	6.6	168.5	7.8	201.6	9.6	236.2	11.5	269.3	13.4
	60	118.9	5.6	144.4	6.8	168.5	8.1	201.6	9.8	236.2	11.8	269.3	13.7
	65	118.9	5.7	144.4	7.0	168.5	8.3	201.6	10.1	236.2	12.1	269.3	14.1
	70	118.9	6.2	144.4	7.6	168.5	9.0	201.6	11.0	236.2	13.2	269.3	15.4
	75	118.9	6.8	144.4	8.4	168.5	9.9	201.6	12.1	236.2	14.4	269.3	16.9
	80	118.9	7.5	144.4	9.2	168.5	10.9	201.6	13.2	236.2	15.9	269.3	18.5
	85	118.9	8.2	144.4	10.1	168.5	11.9	201.6	14.5	236.2	17.4	269.3	20.3
	90	118.9	9.0	144.4	11.1	168.5	13.1	201.6	15.9	236.2	19.1	269.3	22.3
	95	118.9	9.8	144.4	12.1	168.5	14.3	201.6	17.4	236.2	20.8	269.3	24.3
100	118.9	10.7	144.4	13.1	168.5	15.5	201.6	18.9	236.2	22.6	269.3	26.4	
105	118.9	11.5	144.4	14.2	168.5	16.7	201.6	20.4	236.2	24.4	269.3	28.5	
110	118.9	12.3	144.4	15.2	168.5	17.9	201.6	21.8	236.2	26.1	269.1	30.5	
115	118.9	13.1	144.4	16.0	168.5	18.9	201.6	23.1	234.1	27.4	255.3	30.7	
118	118.9	13.4	144.4	16.5	168.5	19.5	201.6	23.7	224.3	27.1	232.6	28.8	
125	117.1	13.8	137.3	16.4	148.2	17.9	154.0	19.0	158.5	20.0	161.6	20.9	
60%	-10	101.9	3.4	123.8	4.2	144.4	4.9	172.8	6.0	202.5	7.2	230.8	8.4
	-5	101.9	3.6	123.8	4.4	144.4	5.2	172.8	6.4	202.5	7.7	230.8	8.9
	10	101.9	3.7	123.8	4.5	144.4	5.4	172.8	6.5	202.5	7.8	230.8	9.1
	15	101.9	3.8	123.8	4.6	144.4	5.5	172.8	6.7	202.5	8.0	230.8	9.3
	20	101.9	3.9	123.8	4.7	144.4	5.6	172.8	6.8	202.5	8.2	230.8	9.5
	25	101.9	3.9	123.8	4.8	144.4	5.7	172.8	7.0	202.5	8.4	230.8	9.8
	30	101.9	4.0	123.8	5.0	144.4	5.9	172.8	7.1	202.5	8.5	230.8	10.0
	35	101.9	4.1	123.8	5.1	144.4	6.0	172.8	7.3	202.5	8.8	230.8	10.2
	40	101.9	4.2	123.8	5.2	144.4	6.1	172.8	7.5	202.5	9.0	230.8	10.5
	45	101.9	4.3	123.8	5.3	144.4	6.3	172.8	7.7	202.5	9.2	230.8	10.7
	50	101.9	4.5	123.8	5.5	144.4	6.5	172.8	7.9	202.5	9.4	230.8	11.0
	55	101.9	4.6	123.8	5.6	144.4	6.6	172.8	8.1	202.5	9.7	230.8	11.3
	60	101.9	4.7	123.8	5.8	144.4	6.8	172.8	8.3	202.5	9.9	230.8	11.6
	65	101.9	4.8	123.8	5.9	144.4	7.0	172.8	8.5	202.5	10.2	230.8	11.9
	70	101.9	5.2	123.8	6.4	144.4	7.6	172.8	9.3	202.5	11.1	230.8	13.0
	75	101.9	5.8	123.8	7.1	144.4	8.4	172.8	10.2	202.5	12.2	230.8	14.2
	80	101.9	6.3	123.8	7.8	144.4	9.2	172.8	11.2	202.5	13.4	230.8	15.6
	85	101.9	6.9	123.8	8.5	144.4	10.1	172.8	12.3	202.5	14.7	230.8	17.2
	90	101.9	7.6	123.8	9.3	144.4	11.0	172.8	13.4	202.5	16.1	230.8	18.8
	95	101.9	8.3	123.8	10.2	144.4	12.0	172.8	14.7	202.5	17.6	230.8	20.5
100	101.9	9.0	123.8	11.1	144.4	13.1	172.8	16.0	202.5	19.1	230.8	22.3	
105	101.9	9.7	123.8	12.0	144.4	14.1	172.8	17.2	202.5	20.6	230.8	24.1	
110	101.9	10.4	123.8	12.8	144.4	15.1	172.8	18.4	202.5	22.1	230.8	25.8	
115	101.9	11.0	123.8	13.6	144.4	16.0	172.8	19.5	202.5	23.4	230.8	27.3	
118	101.9	11.3	123.8	13.9	144.4	16.5	172.8	20.1	202.5	24.0	222.8	27.1	
125	101.9	11.8	123.8	14.5	139.2	16.6	154.0	18.7	158.5	19.7	161.6	20.6	

NOTE - Power Input = Compressor + Outdoor Fan Motor.  
 MBH = 1000 BTUs per hour.

## COOLING CAPACITY - TWO MODULE | VRB288H4

Combination (%)	Outdoor Temperature °F (Dry Bulb)	Indoor Temperature - °F (Dry Bulb / Wet Bulb)											
		67 / 57		71 / 60		75 / 63		80 / 67		85 / 71		90 / 75	
		Total Cap.	Power Input	Total Cap.	Power Input	Total Cap.	Power Input	Total Cap.	Power Input	Total Cap.	Power Input	Total Cap.	Power Input
		MBH	kW	MBH	kW	MBH	kW	MBH	kW	MBH	kW	MBH	kW
50%	-10	80.4	2.6	103.2	3.4	120.4	4.1	144.0	4.9	168.7	5.9	192.4	6.9
	-5	84.9	3.0	103.2	3.6	120.4	4.3	144.0	5.3	168.7	6.3	192.4	7.3
	10	84.9	3.0	103.2	3.7	120.4	4.4	144.0	5.4	168.7	6.4	192.4	7.5
	15	84.9	3.1	103.2	3.8	120.4	4.5	144.0	5.5	168.7	6.6	192.4	7.7
	20	84.9	3.2	103.2	3.9	120.4	4.6	144.0	5.6	168.7	6.7	192.4	7.8
	25	84.9	3.2	103.2	4.0	120.4	4.7	144.0	5.7	168.7	6.9	192.4	8.0
	30	84.9	3.3	103.2	4.1	120.4	4.8	144.0	5.9	168.7	7.0	192.4	8.2
	35	84.9	3.4	103.2	4.2	120.4	4.9	144.0	6.0	168.7	7.2	192.4	8.4
	40	84.9	3.5	103.2	4.3	120.4	5.0	144.0	6.2	168.7	7.4	192.4	8.6
	45	84.9	3.6	103.2	4.4	120.4	5.2	144.0	6.3	168.7	7.6	192.4	8.8
	50	84.9	3.7	103.2	4.5	120.4	5.3	144.0	6.5	168.7	7.7	192.4	9.0
	55	84.9	3.8	103.2	4.6	120.4	5.4	144.0	6.6	168.7	8.0	192.4	9.3
	60	84.9	3.9	103.2	4.7	120.4	5.6	144.0	6.8	168.7	8.2	192.4	9.5
	65	84.9	4.0	103.2	4.9	120.4	5.8	144.0	7.0	168.7	8.4	192.4	9.8
	70	84.9	4.3	103.2	5.3	120.4	6.3	144.0	7.6	168.7	9.1	192.4	10.7
	75	84.9	4.7	103.2	5.8	120.4	6.9	144.0	8.4	168.7	10.0	192.4	11.7
	80	84.9	5.2	103.2	6.4	120.4	7.5	144.0	9.2	168.7	11.0	192.4	12.9
	85	84.9	5.7	103.2	7.0	120.4	8.3	144.0	10.1	168.7	12.1	192.4	14.1
90	84.9	6.2	103.2	7.7	120.4	9.1	144.0	11.0	168.7	13.2	192.4	15.5	
95	84.9	6.8	103.2	8.4	120.4	9.9	144.0	12.1	168.7	14.5	192.4	16.9	
100	84.9	7.4	103.2	9.1	120.4	10.8	144.0	13.1	168.7	15.7	192.4	18.3	
105	84.9	8.0	103.2	9.8	120.4	11.6	144.0	14.2	168.7	17.0	192.4	19.8	
110	84.9	8.6	103.2	10.5	120.4	12.4	144.0	15.2	168.7	18.2	192.4	21.2	
115	84.9	9.1	103.2	11.1	120.4	13.2	144.0	16.0	168.7	19.2	192.4	22.4	
118	84.9	9.3	103.2	11.5	120.4	13.5	144.0	16.5	168.7	19.7	192.4	23.1	
125	84.9	9.7	103.2	12.0	120.4	14.1	141.0	16.9	157.1	19.2	161.6	20.3	

NOTE - Power Input = Compressor + Outdoor Fan Motor.  
 MBH = 1000 BTUs per hour.

# HEATING CAPACITY - TWO MODULE | VRB288H4

Combination (%)	Outdoor Temperature (°F)		Indoor Temperature - °F Dry Bulb											
			61		64		67		70		73		75	
			Total Cap.	Power Input	Total Cap.	Power Input	Total Cap.	Power Input	Total Cap.	Power Input	Total Cap.	Power Input	Total Cap.	Power Input
	Dry Bulb	Wet Bulb	MBH	kW	MBH	kW	MBH	kW	MBH	kW	MBH	kW	MBH	kW
130%	-13	-14	173.9	20.5	173.5	21.1	173.1	21.6	172.6	22.2	172.2	22.9	171.9	23.4
	-8	-9	181.6	21.4	181.1	22.0	180.7	22.6	180.2	23.2	179.8	23.9	179.5	24.4
	-3	-4	193.5	22.7	193.0	23.3	192.5	23.9	192.0	24.6	191.5	25.3	191.2	25.8
	2	1	208.5	24.1	208.0	24.8	207.5	25.4	207.0	26.1	206.4	26.9	206.1	27.4
	7	6	225.6	25.6	225.0	26.3	224.5	27.0	223.9	27.7	223.3	28.5	223.0	29.1
	12	10	243.8	27.1	243.2	27.7	242.6	28.4	241.9	29.2	241.3	30.0	240.9	30.6
	17	15	262.3	28.3	261.6	29.0	261.0	29.7	260.3	30.4	259.6	31.2	259.2	31.8
	22	20	280.3	29.2	279.6	29.9	278.9	30.6	278.2	31.4	277.5	32.2	277.0	32.7
	27	24	297.4	29.8	296.6	30.5	295.9	31.2	295.1	31.9	294.4	32.7	293.9	33.3
	32	29	313.0	30.1	312.2	30.8	311.4	31.4	310.6	32.1	310.0	32.6	309.3	32.0
	37	34	326.8	30.1	325.9	30.7	325.2	31.3	324.5	31.3	323.9	30.6	323.2	30.2
	42	38	338.5	29.7	337.9	30.3	337.2	29.9	336.6	29.3	336.0	28.8	335.3	28.5
	47	43	359.4	29.7	358.8	29.3	358.1	28.8	357.5	28.4	356.8	28.0	356.2	27.7
	52	47	395.5	29.8	394.9	29.4	394.2	29.1	393.6	28.8	389.1	28.1	376.2	27.0
	57	52	430.4	29.7	429.8	29.5	429.1	29.2	419.9	28.4	393.4	26.4	376.2	25.1
	62	56	463.9	29.6	462.0	29.4	446.4	28.2	419.9	26.4	393.4	24.6	376.2	23.4
	67	61	492.0	29.2	471.4	27.9	446.4	26.3	419.9	24.7	393.4	23.0	376.2	22.0
	72	66	497.9	27.6	471.4	26.1	446.4	24.7	419.9	23.2	393.4	21.7	376.2	20.7
	75	69	497.9	26.6	471.4	25.1	446.4	23.8	419.9	22.4	393.4	20.9	376.2	20.0
	80	74	497.9	25.0	471.4	23.7	446.4	22.4	419.9	21.1	393.4	19.8	376.2	18.9
120%	-13	-14	173.2	20.1	172.8	20.7	172.4	21.2	171.9	21.8	171.5	22.5	171.2	22.9
	-8	-9	180.9	21.0	180.4	21.6	180.0	22.1	179.5	22.8	179.0	23.5	178.7	23.9
	-3	-4	192.7	22.2	192.2	22.8	191.8	23.4	191.3	24.1	190.8	24.8	190.5	25.3
	2	1	207.7	23.7	207.2	24.3	206.7	24.9	206.1	25.6	205.6	26.4	205.3	26.9
	7	6	224.7	25.1	224.1	25.8	223.6	26.4	223.0	27.2	222.4	28.0	222.1	28.5
	12	10	242.8	26.5	242.2	27.2	241.6	27.9	241.0	28.6	240.4	29.4	240.0	30.0
	17	15	261.2	27.7	260.5	28.4	259.9	29.1	259.3	29.8	258.6	30.6	258.2	31.2
	22	20	279.2	28.7	278.5	29.3	277.8	30.0	277.1	30.8	276.4	31.5	275.9	32.1
	27	24	296.2	29.3	295.4	29.9	294.7	30.6	294.0	31.3	293.2	32.1	292.7	32.6
	32	29	311.7	29.5	310.9	30.2	310.2	30.8	309.4	31.5	308.8	32.0	308.1	31.4
	37	34	325.5	29.5	324.7	30.1	323.9	30.7	323.2	30.7	322.6	30.0	321.9	29.6
	42	38	337.2	29.1	336.6	29.7	335.9	29.3	335.3	28.8	334.6	28.2	334.0	27.9
	47	43	359.4	29.3	358.8	28.8	358.1	28.4	357.5	28.0	355.8	27.5	347.3	26.6
	52	47	395.5	29.3	394.9	29.0	394.2	28.6	387.1	27.8	363.1	25.9	347.3	24.6
	57	52	430.4	29.3	427.7	28.9	412.1	27.6	387.6	25.8	363.1	24.0	347.3	22.8
	62	56	457.5	28.8	435.1	27.2	412.1	25.6	387.6	24.0	363.1	22.4	347.3	21.3
	67	61	459.6	26.9	435.1	25.4	412.1	23.9	387.6	22.4	363.1	20.9	347.3	20.0
	72	66	459.6	25.1	435.1	23.7	412.1	22.4	387.6	21.1	363.1	19.7	347.3	18.8
	75	69	459.6	24.2	435.1	22.8	412.1	21.6	387.6	20.3	363.1	19.0	347.3	18.2
	80	74	459.6	22.7	435.1	21.5	412.1	20.4	387.6	19.2	363.1	18.0	347.3	17.2
110%	-13	-14	172.5	19.7	172.1	20.3	171.7	20.8	171.3	21.4	170.8	22.0	170.5	22.5
	-8	-9	180.1	20.6	179.7	21.1	179.3	21.7	178.8	22.3	178.3	23.0	178.0	23.5
	-3	-4	192.0	21.8	191.5	22.4	191.0	23.0	190.5	23.6	190.0	24.3	189.7	24.8
	2	1	206.9	23.2	206.3	23.8	205.9	24.4	205.3	25.1	204.8	25.9	204.5	26.4
	7	6	223.8	24.7	223.2	25.3	222.7	25.9	222.1	26.7	221.6	27.4	221.2	27.9
	12	10	241.9	26.0	241.2	26.7	240.7	27.3	240.0	28.1	239.4	28.9	239.0	29.4
	17	15	260.2	27.2	259.5	27.9	258.9	28.5	258.2	29.3	257.6	30.1	257.1	30.6
	22	20	278.1	28.1	277.4	28.8	276.7	29.4	276.0	30.2	275.3	30.9	274.8	31.5
	27	24	295.0	28.7	294.3	29.4	293.6	30.0	292.8	30.7	292.1	31.5	292.0	32.0
	32	29	310.5	29.0	309.7	29.6	309.0	30.2	308.2	30.9	307.5	31.4	306.9	30.8
	37	34	324.2	28.9	323.4	29.5	322.6	30.1	321.9	30.1	321.3	29.4	316.6	28.6
	42	38	335.9	28.6	335.2	29.2	334.6	28.8	333.9	28.2	329.8	27.4	318.3	26.2
	47	43	359.4	28.8	358.8	28.4	358.1	28.0	352.9	27.2	332.8	25.3	318.3	24.0
	52	47	395.5	28.9	392.5	28.4	377.8	27.0	355.3	25.2	332.8	23.3	318.3	22.2
	57	52	421.3	28.2	398.9	26.5	377.8	24.9	355.3	23.3	332.8	21.6	318.3	20.6
	62	56	421.3	26.1	398.9	24.6	377.8	23.2	355.3	21.7	332.8	20.2	318.3	19.2
	67	61	421.3	24.3	398.9	22.9	377.8	21.6	355.3	20.2	332.8	18.9	318.3	18.0
	72	66	421.3	22.7	398.9	21.4	377.8	20.2	355.3	19.0	332.8	17.8	318.3	17.0
	75	69	421.3	21.8	398.9	20.6	377.8	19.5	355.3	18.3	332.8	17.2	318.3	16.4
	80	74	421.3	20.5	398.9	19.4	377.8	18.4	355.3	17.3	332.8	16.2	318.3	15.5

NOTE - Power Input = Compressor + Outdoor Fan Motor.  
 MBH = 1000 BTUs per hour.



# HEATING CAPACITY - TWO MODULE | VRB288H4

Combination (%)	Outdoor Temperature (°F)		Indoor Temperature - °F Dry Bulb											
			61		64		67		70		73		75	
	Dry Bulb	Wet Bulb	Total Cap. MBH	Power Input kW	Total Cap. MBH	Power Input kW	Total Cap. MBH	Power Input kW	Total Cap. MBH	Power Input kW	Total Cap. MBH	Power Input kW	Total Cap. MBH	Power Input kW
100%	-13	-14	171.9	19.3	171.4	19.9	171.0	20.4	170.6	21.0	170.1	21.6	169.8	22.0
	-8	-9	179.4	20.2	179.0	20.7	178.5	21.3	178.1	21.9	177.6	22.6	177.3	23.0
	-3	-4	191.2	21.4	190.7	22.0	190.3	22.5	189.8	23.2	189.3	23.9	189.0	24.4
	2	1	206.1	22.8	205.5	23.4	205.0	24.0	204.5	24.7	204.0	25.4	203.6	25.9
	7	6	222.9	24.2	222.4	24.8	221.8	25.5	221.2	26.2	220.7	26.9	220.3	27.4
	12	10	240.9	25.5	240.3	26.2	239.7	26.8	239.1	27.5	238.5	28.3	238.1	28.8
	17	15	259.1	26.7	258.5	27.3	257.9	28.0	257.2	28.7	256.5	29.5	256.1	30.0
	22	20	277.0	27.6	276.3	28.2	275.6	28.9	274.9	29.6	274.2	30.4	273.7	30.9
	27	24	293.9	28.2	293.1	28.8	292.4	29.4	291.6	30.1	290.9	30.9	289.7	31.1
	32	29	309.3	28.4	308.5	29.0	307.7	29.7	306.9	30.3	302.0	30.4	289.4	28.6
	37	34	322.9	28.4	322.1	29.0	321.3	29.5	318.5	29.4	302.6	27.3	289.4	25.8
	42	38	334.5	28.0	333.7	28.6	332.9	28.2	323.0	26.9	302.6	24.8	289.4	23.5
	47	43	344.0	27.2	343.1	26.7	339.3	26.1	323.0	24.5	302.6	22.7	289.4	21.5
	52	47	351.4	25.3	350.5	24.9	343.4	24.2	323.0	22.5	302.6	20.9	289.4	19.9
	57	52	356.8	23.5	355.1	23.3	343.4	22.3	323.0	20.8	302.6	19.4	289.4	18.4
	62	56	360.4	22.0	357.2	21.7	343.4	20.7	323.0	19.4	302.6	18.1	289.4	17.2
	67	61	362.7	20.6	358.5	20.3	343.4	19.3	323.0	18.1	302.6	16.9	289.4	16.2
	72	66	364.0	19.3	359.3	19.0	343.4	18.1	323.0	17.0	302.6	15.9	289.4	15.2
75	69	364.6	18.6	359.6	18.3	343.4	17.5	323.0	16.4	302.6	15.4	289.4	14.7	
80	74	365.7	17.5	360.2	17.3	343.4	16.5	323.0	15.5	302.6	14.5	289.4	13.9	
90%	-13	-14	171.2	19.0	170.7	19.5	170.3	20.0	169.9	20.6	169.5	21.2	169.2	21.6
	-8	-9	178.7	19.8	178.3	20.4	177.8	20.9	177.4	21.5	176.9	22.1	176.6	22.6
	-3	-4	190.4	21.0	190.0	21.6	189.5	22.1	189.0	22.8	188.5	23.4	188.2	23.9
	2	1	205.2	22.3	204.7	22.9	204.2	23.5	203.7	24.2	203.2	24.9	202.8	25.4
	7	6	222.0	23.7	221.5	24.4	220.9	25.0	220.4	25.7	219.8	26.4	219.4	26.9
	12	10	239.9	25.1	239.3	25.7	238.7	26.3	238.1	27.0	237.5	27.8	237.1	28.3
	17	15	258.1	26.2	257.4	26.8	256.8	27.5	256.2	28.2	255.5	28.9	255.1	29.4
	22	20	275.9	27.1	275.2	27.7	274.5	28.3	273.8	29.0	270.5	29.5	258.7	28.8
	27	24	292.7	27.6	291.9	28.3	291.2	28.9	288.3	29.4	269.5	28.2	259.0	27.6
	32	29	308.0	27.9	307.2	28.5	304.9	28.9	286.1	27.9	271.8	26.9	260.4	25.4
	37	34	321.6	27.9	320.1	28.4	302.0	27.4	286.7	26.0	272.3	24.2	260.4	22.9
	42	38	333.2	27.5	315.7	26.6	300.6	25.1	290.7	23.8	272.3	22.0	260.4	20.8
	47	43	324.2	25.2	313.0	24.0	305.4	23.1	290.7	21.7	272.3	20.1	260.4	19.1
	52	47	316.3	22.4	316.8	22.2	309.1	21.5	290.7	20.0	272.3	18.5	260.4	17.6
	57	52	321.1	20.9	319.6	20.6	309.1	19.8	290.7	18.5	272.3	17.2	260.4	16.4
	62	56	324.4	19.5	321.5	19.2	309.1	18.4	290.7	17.2	272.3	16.0	260.4	15.3
	67	61	326.4	18.2	322.7	18.0	309.1	17.2	290.7	16.1	272.3	15.0	260.4	14.3
	72	66	327.6	17.1	323.4	16.8	309.1	16.1	290.7	15.1	272.3	14.1	260.4	13.5
75	69	328.1	16.5	323.7	16.2	309.1	15.5	290.7	14.6	272.3	13.6	260.4	13.0	
80	74	329.2	15.5	324.2	15.3	309.1	14.6	290.7	13.7	272.3	12.9	260.4	12.3	
80%	-13	-14	170.5	18.6	170.1	19.1	169.6	19.6	169.2	20.2	168.8	20.8	168.5	21.2
	-8	-9	178.0	19.5	177.5	20.0	177.1	20.5	176.7	21.1	176.2	21.7	175.9	22.2
	-3	-4	189.7	20.6	189.2	21.2	188.7	21.7	188.2	22.3	187.8	23.0	187.5	23.5
	2	1	204.4	21.9	203.9	22.5	203.4	23.1	202.9	23.8	202.3	24.4	202.0	24.9
	7	6	221.1	23.3	220.6	23.9	220.0	24.5	219.5	25.2	218.9	25.9	218.5	26.4
	12	10	239.0	24.6	238.4	25.2	237.8	25.8	237.2	26.5	236.6	27.3	231.0	27.2
	17	15	257.1	25.7	256.4	26.3	255.8	27.0	255.1	27.7	241.8	27.0	231.5	26.3
	22	20	274.8	26.6	274.1	27.2	272.2	27.7	257.6	26.9	241.4	26.0	231.5	25.4
	27	24	291.5	27.1	288.2	27.5	272.9	26.7	256.2	25.7	239.5	24.7	231.5	24.3
	32	29	303.7	27.1	286.4	26.2	270.2	25.3	253.0	24.3	241.6	23.6	231.5	22.2
	37	34	300.0	25.6	282.3	24.6	265.7	23.7	254.8	22.8	242.1	21.2	231.5	20.0
	42	38	294.4	24.0	276.4	23.0	267.2	22.0	258.4	20.9	242.1	19.2	231.5	18.2
	47	43	287.1	22.0	278.3	21.0	271.5	20.3	258.4	19.0	242.1	17.6	231.5	16.7
	52	47	288.8	20.2	281.6	19.5	274.7	18.8	258.4	17.5	242.1	16.2	231.5	15.4
	57	52	291.3	18.7	284.1	18.1	274.7	17.3	258.4	16.2	242.1	15.1	231.5	14.3
	62	56	293.0	17.4	285.8	16.8	274.7	16.1	258.4	15.1	242.1	14.0	231.5	13.4
	67	61	294.1	16.2	286.8	15.7	274.7	15.0	258.4	14.1	242.1	13.1	231.5	12.5
	72	66	294.7	15.2	287.5	14.8	274.7	14.1	258.4	13.2	242.1	12.4	231.5	11.8
75	69	295.0	14.6	287.7	14.2	274.7	13.6	258.4	12.8	242.1	11.9	231.5	11.4	
80	74	295.4	13.7	288.2	13.4	274.7	12.8	258.4	12.0	242.1	11.3	231.5	10.8	

NOTE - Power Input = Compressor + Outdoor Fan Motor.  
 MBH = 1000 BTUs per hour.

# HEATING CAPACITY - TWO MODULE | VRB288H4

Combination (%)	Outdoor Temperature (°F)		Indoor Temperature - °F Dry Bulb											
			61		64		67		70		73		75	
			Total Cap.	Power Input	Total Cap.	Power Input	Total Cap.	Power Input	Total Cap.	Power Input	Total Cap.	Power Input	Total Cap.	Power Input
	Dry Bulb	Wet Bulb	MBH	kW	MBH	kW	MBH	kW	MBH	kW	MBH	kW	MBH	kW
70%	-13	-14	169.8	18.3	169.4	18.8	169.0	19.3	168.5	19.8	168.1	20.4	167.8	20.8
	-8	-9	177.3	19.1	176.8	19.6	176.4	20.1	175.9	20.7	175.5	21.3	175.2	21.8
	-3	-4	188.9	20.2	188.4	20.8	188.0	21.3	187.5	21.9	187.0	22.6	186.7	23.0
	2	1	203.6	21.5	203.1	22.1	202.6	22.7	202.1	23.3	201.5	24.0	201.2	24.5
	7	6	220.2	22.9	219.7	23.5	219.2	24.1	218.6	24.7	211.8	24.7	202.6	24.1
	12	10	238.0	24.1	237.4	24.7	236.8	25.4	226.1	24.9	211.8	24.1	202.6	23.5
	17	15	256.0	25.2	253.5	25.7	240.4	25.0	226.1	24.2	211.8	23.3	202.6	22.7
	22	20	267.9	25.5	253.8	24.8	240.4	24.1	226.1	23.3	211.8	22.4	202.6	21.9
	27	24	266.8	24.5	252.2	23.7	240.4	23.2	226.1	22.4	211.8	21.5	202.6	20.9
	32	29	263.9	23.2	248.9	22.4	240.4	22.2	226.1	21.4	211.8	20.4	202.6	19.2
	37	34	259.2	21.8	243.8	21.0	240.4	21.2	226.1	19.9	211.8	18.3	202.6	17.3
	42	38	252.8	20.3	239.7	19.7	240.4	19.5	226.1	18.0	211.8	16.6	202.6	15.7
	47	43	249.8	18.9	243.5	18.1	240.4	17.7	226.1	16.4	211.8	15.2	202.6	14.4
	52	47	252.7	17.4	246.4	16.8	240.4	16.2	226.1	15.1	211.8	14.0	202.6	13.3
	57	52	254.9	16.1	248.6	15.6	240.4	15.0	226.1	14.0	211.8	13.0	202.6	12.4
	62	56	256.4	15.0	250.1	14.5	240.4	13.9	226.1	13.0	211.8	12.1	202.6	11.5
	67	61	257.3	14.0	251.0	13.6	240.4	13.0	226.1	12.1	211.8	11.3	202.6	10.8
	72	66	257.9	13.1	251.5	12.7	240.4	12.1	226.1	11.4	211.8	10.7	202.6	10.2
	75	69	258.1	12.6	251.8	12.3	240.4	11.7	226.1	11.0	211.8	10.3	202.6	9.8
	80	74	258.5	11.9	252.1	11.6	240.4	11.0	226.1	10.4	211.8	9.7	202.6	9.3
60%	-13	-14	169.1	18.0	168.7	18.4	168.3	18.9	167.8	19.5	167.4	20.1	167.1	20.5
	-8	-9	176.6	18.8	176.1	19.3	175.7	19.8	175.2	20.3	174.8	21.0	172.7	21.2
	-3	-4	188.1	19.9	187.7	20.4	187.2	20.9	186.7	21.5	181.6	21.6	173.6	21.1
	2	1	202.8	21.1	202.2	21.7	201.8	22.3	193.8	22.0	181.6	21.3	173.6	20.8
	7	6	219.4	22.5	217.6	22.9	206.0	22.3	193.8	21.6	181.6	20.9	173.6	20.4
	12	10	229.8	23.0	217.6	22.4	206.0	21.8	193.8	21.1	181.6	20.3	173.6	19.8
	17	15	229.8	22.3	217.6	21.7	206.0	21.1	193.8	20.4	181.6	19.7	173.6	19.2
	22	20	229.8	21.6	217.6	21.0	206.0	20.4	193.8	19.7	181.6	19.0	173.6	18.5
	27	24	229.8	20.8	217.6	20.2	206.0	19.6	193.8	18.9	181.6	18.2	173.6	17.7
	32	29	229.8	19.9	217.6	19.3	206.0	18.7	193.8	18.1	181.6	17.2	173.6	16.2
	37	34	229.8	19.1	217.6	18.5	206.0	17.9	193.8	16.9	181.6	15.5	173.6	14.6
	42	38	229.8	18.2	217.6	17.6	206.0	16.5	193.8	15.2	181.6	14.0	173.6	13.3
	47	43	229.8	17.1	217.6	16.0	206.0	15.0	193.8	13.9	181.6	12.8	173.6	12.2
	52	47	229.8	15.6	217.6	14.6	206.0	13.7	193.8	12.8	181.6	11.8	173.6	11.2
	57	52	229.8	14.3	217.6	13.4	206.0	12.6	193.8	11.8	181.6	11.0	173.6	10.4
	62	56	229.8	13.2	217.6	12.5	206.0	11.7	193.8	11.0	181.6	10.2	173.6	9.7
	67	61	229.8	12.3	217.6	11.6	206.0	10.9	193.8	10.3	181.6	9.6	173.6	9.1
	72	66	229.8	11.5	217.6	10.9	206.0	10.3	193.8	9.6	181.6	9.0	173.6	8.6
	75	69	229.8	11.1	217.6	10.5	206.0	9.9	193.8	9.3	181.6	8.7	173.6	8.3
	80	74	229.8	10.4	217.6	9.8	206.0	9.3	193.8	8.8	181.6	8.2	173.6	7.9
50%	-13	-14	168.4	17.6	168.0	18.1	167.6	18.6	161.5	18.5	151.3	17.9	144.7	17.5
	-8	-9	175.8	18.4	175.4	18.9	171.7	19.1	161.5	18.5	151.3	17.9	144.7	17.5
	-3	-4	187.4	19.5	181.3	19.4	171.7	18.9	161.5	18.4	151.3	17.8	144.7	17.3
	2	1	191.5	19.7	181.3	19.2	171.7	18.7	161.5	18.1	151.3	17.5	144.7	17.1
	7	6	191.5	19.3	181.3	18.8	171.7	18.3	161.5	17.8	151.3	17.2	144.7	16.8
	12	10	191.5	18.9	181.3	18.4	171.7	17.9	161.5	17.3	151.3	16.7	144.7	16.3
	17	15	191.5	18.3	181.3	17.8	171.7	17.3	161.5	16.8	151.3	16.2	144.7	15.8
	22	20	191.5	17.7	181.3	17.2	171.7	16.7	161.5	16.2	151.3	15.6	144.7	15.2
	27	24	191.5	17.1	181.3	16.6	171.7	16.1	161.5	15.5	151.3	14.9	144.7	14.5
	32	29	191.5	16.4	181.3	15.9	171.7	15.4	161.5	14.8	151.3	14.2	144.7	13.3
	37	34	191.5	15.7	181.3	15.2	171.7	14.7	161.5	13.8	151.3	12.7	144.7	12.0
	42	38	191.5	14.9	181.3	14.5	171.7	13.5	161.5	12.5	151.3	11.5	144.7	10.9
	47	43	191.5	14.1	181.3	13.1	171.7	12.3	161.5	11.4	151.3	10.5	144.7	10.0
	52	47	191.5	12.8	181.3	12.0	171.7	11.3	161.5	10.5	151.3	9.7	144.7	9.2
	57	52	191.5	11.8	181.3	11.0	171.7	10.4	161.5	9.7	151.3	9.0	144.7	8.6
	62	56	191.5	10.9	181.3	10.2	171.7	9.6	161.5	9.0	151.3	8.4	144.7	8.0
	67	61	191.5	10.1	181.3	9.5	171.7	9.0	161.5	8.4	151.3	7.9	144.7	7.5
	72	66	191.5	9.4	181.3	8.9	171.7	8.4	161.5	7.9	151.3	7.4	144.7	7.1
	75	69	191.5	9.1	181.3	8.6	171.7	8.1	161.5	7.6	151.3	7.1	144.7	6.8
	80	74	191.5	8.5	181.3	8.1	171.7	7.7	161.5	7.2	151.3	6.8	144.7	6.5

NOTE - Power Input = Compressor + Outdoor Fan Motor.  
 MBH = 1000 BTUs per hour.

# COOLING CAPACITY - TWO MODULE | VRB312H4

Combination (%)	Outdoor Temperature °F (Dry Bulb)	Indoor Temperature - °F (Dry Bulb / Wet Bulb)											
		67 / 57		71 / 60		75 / 63		80 / 67		85 / 71		90 / 75	
		Total Cap.	Power Input	Total Cap.	Power Input	Total Cap.	Power Input	Total Cap.	Power Input	Total Cap.	Power Input	Total Cap.	Power Input
		MBH	kW	MBH	kW	MBH	kW	MBH	kW	MBH	kW	MBH	kW
130%	-10	239.1	9.1	290.6	11.2	339.0	13.3	405.6	16.2	475.2	19.4	522.4	21.8
	-5	239.1	9.7	290.6	11.9	339.0	14.1	405.6	17.2	475.2	20.6	495.0	21.9
	10	239.1	9.9	290.6	12.2	339.0	14.4	405.6	17.5	475.2	21.0	485.4	22.0
	15	239.1	10.1	290.6	12.5	339.0	14.7	405.6	17.9	468.5	21.2	474.7	22.0
	20	239.1	10.4	290.6	12.7	339.0	15.0	405.6	18.3	457.7	21.1	463.9	21.9
	25	239.1	10.6	290.6	13.0	339.0	15.4	405.6	18.7	446.4	21.1	452.7	21.9
	30	239.1	10.8	290.6	13.3	339.0	15.7	405.6	19.2	435.6	21.1	441.9	21.9
	35	239.1	11.1	290.6	13.6	339.0	16.1	405.6	19.6	425.4	21.1	431.7	21.9
	40	239.1	11.4	290.6	14.0	339.0	16.5	405.6	20.1	418.9	21.2	425.1	22.1
	45	239.1	11.7	290.6	14.3	339.0	16.9	405.6	20.6	416.2	21.6	422.4	22.5
	50	239.1	12.0	290.6	14.7	339.0	17.4	405.6	21.2	414.1	22.1	420.4	23.0
	55	239.1	12.3	290.6	15.1	339.0	17.8	405.6	21.7	412.6	22.6	418.8	23.5
	60	239.1	12.6	290.6	15.5	339.0	18.3	405.6	22.3	413.2	23.2	417.5	24.0
	65	239.1	13.0	290.6	15.9	339.0	18.8	405.6	22.9	408.4	23.6	416.2	24.6
	70	239.1	14.1	290.6	17.3	339.0	20.5	405.6	24.9	406.7	25.6	414.5	26.7
	75	239.1	15.5	290.6	19.0	339.0	22.5	397.9	26.9	404.1	27.9	411.9	29.1
	80	239.1	17.0	290.6	20.9	339.0	24.7	393.9	29.2	400.1	30.3	407.8	31.6
	85	239.1	18.6	290.6	22.9	339.0	27.1	387.8	31.5	394.1	32.8	401.6	34.2
	90	239.1	20.4	290.6	25.1	339.0	29.6	378.9	33.8	385.1	35.1	392.5	36.6
	95	239.1	22.3	290.6	27.4	339.0	32.4	345.7	33.6	351.9	35.0	358.2	36.5
100	239.1	24.3	290.6	29.8	322.7	33.5	328.9	34.8	335.2	36.3	341.6	37.8	
105	239.1	26.2	290.6	32.2	298.4	33.5	304.6	34.8	313.7	36.6	319.7	38.2	
110	239.1	28.0	261.0	30.9	267.3	32.1	277.6	33.9	285.8	35.7	291.3	37.3	
115	220.2	27.3	226.4	28.4	234.3	29.7	243.3	31.5	250.5	33.1	255.3	34.6	
118	194.7	24.8	203.3	26.2	210.3	27.4	218.4	29.0	224.9	30.6	229.2	31.9	
125	132.1	17.6	138.0	18.6	142.7	19.4	148.2	20.6	152.6	21.6	155.6	22.6	
120%	-10	220.7	8.3	268.2	10.2	312.9	12.0	374.4	14.7	438.7	17.6	500.1	20.5
	-5	220.7	8.8	268.2	10.8	312.9	12.8	374.4	15.6	438.7	18.7	486.7	21.2
	10	220.7	9.0	268.2	11.1	312.9	13.1	374.4	15.9	438.7	19.1	477.1	21.3
	15	220.7	9.2	268.2	11.3	312.9	13.4	374.4	16.3	438.7	19.5	466.5	21.3
	20	220.7	9.4	268.2	11.6	312.9	13.7	374.4	16.6	438.7	19.9	455.8	21.2
	25	220.7	9.6	268.2	11.8	312.9	14.0	374.4	17.0	438.7	20.4	444.6	21.2
	30	220.7	9.9	268.2	12.1	312.9	14.3	374.4	17.4	427.7	20.4	433.9	21.2
	35	220.7	10.1	268.2	12.4	312.9	14.6	374.4	17.8	417.5	20.3	423.8	21.2
	40	220.7	10.3	268.2	12.7	312.9	15.0	374.4	18.3	410.9	20.5	417.1	21.3
	45	220.7	10.6	268.2	13.0	312.9	15.4	374.4	18.7	408.2	20.9	414.5	21.7
	50	220.7	10.9	268.2	13.4	312.9	15.8	374.4	19.2	406.2	21.3	412.4	22.2
	55	220.7	11.2	268.2	13.7	312.9	16.2	374.4	19.7	404.7	21.8	410.9	22.7
	60	220.7	11.5	268.2	14.1	312.9	16.6	374.4	20.3	404.9	22.4	409.6	23.2
	65	220.7	11.8	268.2	14.5	312.9	17.1	374.4	20.8	400.7	22.8	408.4	23.8
	70	220.7	12.8	268.2	15.8	312.9	18.6	374.4	22.7	399.0	24.7	406.7	25.8
	75	220.7	14.1	268.2	17.3	312.9	20.4	374.4	24.9	396.5	26.9	404.1	28.1
	80	220.7	15.4	268.2	19.0	312.9	22.4	374.4	27.3	392.6	29.3	400.1	30.6
	85	220.7	16.9	268.2	20.8	312.9	24.6	374.4	30.0	386.6	31.6	394.0	33.0
	90	220.7	18.6	268.2	22.8	312.9	26.9	374.4	32.8	377.8	33.9	385.1	35.4
	95	220.7	20.3	268.2	24.9	312.9	29.4	345.7	33.1	351.9	34.5	358.2	35.9
100	220.7	22.0	268.2	27.1	312.9	32.0	328.9	34.3	335.2	35.7	341.6	37.3	
105	220.7	23.8	268.2	29.3	298.4	32.9	304.6	34.3	313.7	36.1	319.7	37.6	
110	220.7	25.5	261.0	30.5	267.3	31.6	277.6	33.4	285.8	35.2	291.3	36.7	
115	220.7	26.9	226.4	28.0	234.3	29.3	243.3	31.0	250.5	32.6	255.3	34.0	
118	194.7	24.4	203.3	25.8	210.3	27.0	218.4	28.6	224.9	30.1	229.2	31.4	
125	132.1	17.3	138.0	18.3	142.7	19.1	148.2	20.2	152.6	21.3	155.6	22.2	

NOTE - Power Input = Compressor + Outdoor Fan Motor.  
 MBH = 1000 BTUs per hour.

# COOLING CAPACITY - TWO MODULE | VRB312H4

Combination (%)	Outdoor Temperature °F (Dry Bulb)	Indoor Temperature - °F (Dry Bulb / Wet Bulb)											
		67 / 57		71 / 60		75 / 63		80 / 67		85 / 71		90 / 75	
		Total Cap.	Power Input	Total Cap.	Power Input	Total Cap.	Power Input	Total Cap.	Power Input	Total Cap.	Power Input	Total Cap.	Power Input
		MBH	KW	MBH	KW	MBH	KW	MBH	KW	MBH	KW	MBH	KW
110%	-10	202.3	7.5	245.9	9.2	286.9	10.9	343.2	13.3	402.1	15.9	458.5	18.5
	-5	202.3	8.0	245.9	9.8	286.9	11.6	343.2	14.1	402.1	16.9	458.5	19.7
	10	202.3	8.1	245.9	10.0	286.9	11.8	343.2	14.4	402.1	17.2	458.5	20.1
	15	202.3	8.3	245.9	10.2	286.9	12.1	343.2	14.7	402.1	17.6	458.3	20.6
	20	202.3	8.5	245.9	10.4	286.9	12.3	343.2	15.0	402.1	18.0	447.6	20.5
	25	202.3	8.7	245.9	10.7	286.9	12.6	343.2	15.4	402.1	18.4	436.6	20.5
	30	202.3	8.9	245.9	10.9	286.9	12.9	343.2	15.7	402.1	18.8	425.9	20.4
	35	202.3	9.1	245.9	11.2	286.9	13.2	343.2	16.1	402.1	19.3	415.8	20.4
	40	202.3	9.3	245.9	11.5	286.9	13.5	343.2	16.5	402.1	19.8	409.1	20.6
	45	202.3	9.6	245.9	11.8	286.9	13.9	343.2	16.9	402.1	20.3	406.5	21.0
	50	202.3	9.8	245.9	12.1	286.9	14.2	343.2	17.4	402.1	20.8	404.5	21.4
	55	202.3	10.1	245.9	12.4	286.9	14.6	343.2	17.8	402.1	21.3	403.0	21.9
	60	202.3	10.3	245.9	12.7	286.9	15.0	343.2	18.3	396.7	21.6	401.8	22.4
	65	202.3	10.6	245.9	13.1	286.9	15.4	343.2	18.8	393.0	22.0	400.5	23.0
	70	202.3	11.6	245.9	14.2	286.9	16.8	343.2	20.5	391.4	23.9	398.9	24.9
	75	202.3	12.7	245.9	15.6	286.9	18.4	343.2	22.5	388.9	26.0	396.4	27.2
	80	202.3	13.9	245.9	17.1	286.9	20.2	343.2	24.7	385.0	28.3	392.4	29.5
	85	202.3	15.3	245.9	18.8	286.9	22.2	343.2	27.1	379.2	30.6	386.5	31.9
	90	202.3	16.8	245.9	20.6	286.9	24.3	343.2	29.6	370.6	32.7	377.7	34.2
	95	202.3	18.3	245.9	22.5	286.9	26.6	343.2	32.4	351.9	33.9	358.2	35.4
100	202.3	19.9	245.9	24.5	286.9	28.9	334.1	34.3	335.2	35.1	341.6	36.7	
105	202.3	21.5	245.9	26.4	286.9	31.2	304.6	33.7	313.7	35.5	319.7	37.1	
110	202.3	23.0	245.9	28.3	267.3	31.1	277.6	32.9	285.8	34.6	291.3	36.1	
115	202.3	24.3	226.4	27.5	234.3	28.8	243.3	30.5	250.5	32.1	255.3	33.5	
118	194.7	24.1	203.3	25.4	210.3	26.6	218.4	28.2	224.9	29.6	229.2	30.9	
125	132.1	17.0	138.0	18.0	142.7	18.8	148.2	19.9	152.6	21.0	155.6	21.9	
100%	-10	183.9	6.7	223.5	8.2	260.8	9.7	312.0	11.9	365.6	14.2	416.8	16.6
	-5	183.9	7.1	223.5	8.8	260.8	10.4	312.0	12.6	365.6	15.1	416.8	17.6
	10	183.9	7.3	223.5	9.0	260.8	10.6	312.0	12.9	365.6	15.4	416.8	18.0
	15	183.9	7.4	223.5	9.2	260.8	10.8	312.0	13.2	365.6	15.8	416.8	18.4
	20	183.9	7.6	223.5	9.4	260.8	11.0	312.0	13.5	365.6	16.1	416.4	18.8
	25	183.9	7.8	223.5	9.6	260.8	11.3	312.0	13.8	365.6	16.5	412.0	19.0
	30	183.9	8.0	223.5	9.8	260.8	11.6	312.0	14.1	365.6	16.9	407.9	19.3
	35	183.9	8.2	223.5	10.0	260.8	11.8	312.0	14.4	365.6	17.3	404.2	19.6
	40	183.9	8.4	223.5	10.3	260.8	12.1	312.0	14.8	365.6	17.7	401.1	19.9
	45	183.9	8.6	223.5	10.5	260.8	12.4	312.0	15.2	365.6	18.1	398.5	20.3
	50	183.9	8.8	223.5	10.8	260.8	12.8	312.0	15.5	365.6	18.6	396.6	20.7
	55	183.9	9.0	223.5	11.1	260.8	13.1	312.0	16.0	365.6	19.1	395.1	21.2
	60	183.9	9.3	223.5	11.4	260.8	13.4	312.0	16.4	365.6	19.6	393.9	21.7
	65	183.9	9.5	223.5	11.7	260.8	13.8	312.0	16.8	365.6	20.2	392.7	22.2
	70	183.9	10.4	223.5	12.7	260.8	15.0	312.0	18.3	365.6	21.9	391.0	24.0
	75	183.9	11.4	223.5	14.0	260.8	16.5	312.0	20.1	365.6	24.1	388.6	26.2
	80	183.9	12.5	223.5	15.3	260.8	18.1	312.0	22.1	365.6	26.5	384.7	28.5
	85	183.9	13.7	223.5	16.8	260.8	19.9	312.0	24.2	365.6	29.0	378.9	30.8
	90	183.9	15.0	223.5	18.4	260.8	21.8	312.0	26.5	363.3	31.6	370.3	33.0
	95	183.9	16.4	223.5	20.1	260.8	23.8	<b>312.0</b>	<b>29.0</b>	351.4	33.4	358.2	34.9
100	183.9	17.8	223.5	21.9	260.8	25.9	312.0	31.5	335.2	34.6	341.6	36.1	
105	183.9	19.2	223.5	23.6	260.8	27.9	304.6	33.2	313.7	35.0	319.7	36.5	
110	183.9	20.6	223.5	25.3	260.8	29.9	277.6	32.4	285.8	34.1	291.3	35.6	
115	183.9	21.8	223.5	26.8	234.3	28.4	243.3	30.0	250.5	31.6	255.3	33.0	
118	183.9	22.4	203.3	25.0	210.3	26.2	218.4	27.7	224.9	29.2	229.2	30.5	
125	132.1	16.8	138.0	17.7	142.7	18.6	148.2	19.6	152.6	20.7	155.6	21.6	

NOTE - Power Input = Compressor + Outdoor Fan Motor.  
 MBH = 1000 BTUs per hour.

# COOLING CAPACITY - TWO MODULE | VRB312H4

Combination (%)	Outdoor Temperature °F (Dry Bulb)	Indoor Temperature - °F (Dry Bulb / Wet Bulb)											
		67 / 57		71 / 60		75 / 63		80 / 67		85 / 71		90 / 75	
		Total Cap.	Power Input	Total Cap.	Power Input	Total Cap.	Power Input	Total Cap.	Power Input	Total Cap.	Power Input	Total Cap.	Power Input
		MBH	kW	MBH	kW	MBH	kW	MBH	kW	MBH	kW	MBH	kW
90%	-10	165.5	6.0	201.2	7.3	234.7	8.6	280.8	10.5	329.0	12.6	375.1	14.7
	-5	165.5	6.3	201.2	7.8	234.7	9.2	280.8	11.2	329.0	13.4	375.1	15.6
	10	165.5	6.5	201.2	7.9	234.7	9.4	280.8	11.4	329.0	13.7	375.1	16.0
	15	165.5	6.6	201.2	8.1	234.7	9.6	280.8	11.7	329.0	14.0	375.1	16.3
	20	165.5	6.7	201.2	8.3	234.7	9.8	280.8	11.9	329.0	14.3	375.1	16.7
	25	165.5	6.9	201.2	8.5	234.7	10.0	280.8	12.2	329.0	14.6	375.1	17.1
	30	165.5	7.1	201.2	8.7	234.7	10.3	280.8	12.5	329.0	15.0	375.1	17.5
	35	165.5	7.2	201.2	8.9	234.7	10.5	280.8	12.8	329.0	15.3	375.1	17.9
	40	165.5	7.4	201.2	9.1	234.7	10.8	280.8	13.1	329.0	15.7	375.1	18.3
	45	165.5	7.6	201.2	9.3	234.7	11.0	280.8	13.4	329.0	16.1	375.1	18.8
	50	165.5	7.8	201.2	9.6	234.7	11.3	280.8	13.8	329.0	16.5	375.1	19.3
	55	165.5	8.0	201.2	9.8	234.7	11.6	280.8	14.1	329.0	16.9	375.1	19.8
	60	165.5	8.2	201.2	10.1	234.7	11.9	280.8	14.5	329.0	17.4	375.1	20.3
	65	165.5	8.4	201.2	10.4	234.7	12.3	280.8	14.9	329.0	17.9	375.1	20.9
	70	165.5	9.2	201.2	11.3	234.7	13.3	280.8	16.2	329.0	19.5	375.1	22.7
	75	165.5	10.1	201.2	12.4	234.7	14.6	280.8	17.8	329.0	21.4	375.1	24.9
	80	165.5	11.1	201.2	13.6	234.7	16.1	280.8	19.6	329.0	23.5	375.1	27.4
	85	165.5	12.1	201.2	14.9	234.7	17.6	280.8	21.5	329.0	25.7	371.3	29.8
	90	165.5	13.3	201.2	16.4	234.7	19.3	280.8	23.5	329.0	28.2	362.9	31.9
	95	165.5	14.5	201.2	17.9	234.7	21.1	280.8	25.7	329.0	30.8	358.2	34.3
100	165.5	15.8	201.2	19.4	234.7	22.9	280.8	27.9	328.5	33.4	341.6	35.6	
105	165.5	17.1	201.2	21.0	234.7	24.8	280.8	30.2	313.7	34.5	319.7	36.0	
110	165.5	18.3	201.2	22.4	234.7	26.5	277.6	31.9	285.8	33.6	291.3	35.1	
115	165.5	19.3	201.2	23.7	234.3	28.0	243.3	29.6	250.5	31.2	255.3	32.5	
118	165.5	19.9	201.2	24.4	210.3	25.8	218.4	27.3	224.9	28.8	229.2	30.0	
125	132.1	16.5	138.0	17.5	142.7	18.3	148.2	19.3	152.6	20.4	155.6	21.3	
80%	-10	147.2	5.2	178.8	6.4	208.6	7.6	249.6	9.2	292.4	11.0	333.4	12.9
	-5	147.2	5.5	178.8	6.8	208.6	8.0	249.6	9.8	292.4	11.7	333.4	13.7
	10	147.2	5.7	178.8	7.0	208.6	8.2	249.6	10.0	292.4	12.0	333.4	14.0
	15	147.2	5.8	178.8	7.1	208.6	8.4	249.6	10.2	292.4	12.3	333.4	14.3
	20	147.2	5.9	178.8	7.3	208.6	8.6	249.6	10.5	292.4	12.5	333.4	14.6
	25	147.2	6.0	178.8	7.4	208.6	8.8	249.6	10.7	292.4	12.8	333.4	15.0
	30	147.2	6.2	178.8	7.6	208.6	9.0	249.6	10.9	292.4	13.1	333.4	15.3
	35	147.2	6.3	178.8	7.8	208.6	9.2	249.6	11.2	292.4	13.4	333.4	15.7
	40	147.2	6.5	178.8	8.0	208.6	9.4	249.6	11.5	292.4	13.8	333.4	16.1
	45	147.2	6.7	178.8	8.2	208.6	9.7	249.6	11.8	292.4	14.1	333.4	16.5
	50	147.2	6.8	178.8	8.4	208.6	9.9	249.6	12.1	292.4	14.5	333.4	16.9
	55	147.2	7.0	178.8	8.6	208.6	10.2	249.6	12.4	292.4	14.8	333.4	17.3
	60	147.2	7.2	178.8	8.8	208.6	10.4	249.6	12.7	292.4	15.2	333.4	17.8
	65	147.2	7.4	178.8	9.1	208.6	10.7	249.6	13.1	292.4	15.7	333.4	18.3
	70	147.2	8.0	178.8	9.9	208.6	11.7	249.6	14.2	292.4	17.0	333.4	19.9
	75	147.2	8.8	178.8	10.9	208.6	12.8	249.6	15.6	292.4	18.7	333.4	21.9
	80	147.2	9.7	178.8	11.9	208.6	14.1	249.6	17.2	292.4	20.5	333.4	24.0
	85	147.2	10.6	178.8	13.1	208.6	15.4	249.6	18.8	292.4	22.5	333.4	26.3
	90	147.2	11.7	178.8	14.3	208.6	16.9	249.6	20.6	292.4	24.7	333.4	28.8
	95	147.2	12.7	178.8	15.6	208.6	18.5	249.6	22.5	292.4	27.0	333.4	31.5
100	147.2	13.8	178.8	17.0	208.6	20.1	249.6	24.5	292.4	29.3	333.4	34.2	
105	147.2	14.9	178.8	18.4	208.6	21.7	249.6	26.4	292.4	31.7	319.7	35.5	
110	147.2	16.0	178.8	19.7	208.6	23.2	249.6	28.3	285.8	33.1	291.3	34.6	
115	147.2	16.9	178.8	20.8	208.6	24.6	243.3	29.2	250.5	30.7	255.3	32.1	
118	147.2	17.4	178.8	21.4	208.6	25.2	218.4	26.9	224.9	28.3	229.2	29.6	
125	132.1	16.3	138.0	17.2	142.7	18.0	148.2	19.1	152.6	20.1	155.6	20.9	

NOTE - Power Input = Compressor + Outdoor Fan Motor.  
 MBH = 1000 BTUs per hour.

# COOLING CAPACITY - TWO MODULE | VRB312H4

Combination (%)	Outdoor Temperature °F (Dry Bulb)	Indoor Temperature - °F (Dry Bulb / Wet Bulb)											
		67 / 57		71 / 60		75 / 63		80 / 67		85 / 71		90 / 75	
		Total Cap.	Power Input	Total Cap.	Power Input	Total Cap.	Power Input	Total Cap.	Power Input	Total Cap.	Power Input	Total Cap.	Power Input
		MBH	KW	MBH	KW	MBH	KW	MBH	KW	MBH	KW	MBH	KW
70%	-10	128.8	4.5	156.5	5.5	182.5	6.5	218.4	8.0	255.9	9.5	291.7	11.1
	-5	128.8	4.8	156.5	5.9	182.5	6.9	218.4	8.5	255.9	10.1	291.7	11.8
	10	128.8	4.9	156.5	6.0	182.5	7.1	218.4	8.6	255.9	10.3	291.7	12.1
	15	128.8	5.0	156.5	6.1	182.5	7.2	218.4	8.8	255.9	10.6	291.7	12.3
	20	128.8	5.1	156.5	6.3	182.5	7.4	218.4	9.0	255.9	10.8	291.7	12.6
	25	128.8	5.2	156.5	6.4	182.5	7.6	218.4	9.2	255.9	11.0	291.7	12.9
	30	128.8	5.3	156.5	6.6	182.5	7.7	218.4	9.4	255.9	11.3	291.7	13.2
	35	128.8	5.5	156.5	6.7	182.5	7.9	218.4	9.7	255.9	11.6	291.7	13.5
	40	128.8	5.6	156.5	6.9	182.5	8.1	218.4	9.9	255.9	11.9	291.7	13.8
	45	128.8	5.7	156.5	7.1	182.5	8.3	218.4	10.1	255.9	12.2	291.7	14.2
	50	128.8	5.9	156.5	7.2	182.5	8.5	218.4	10.4	255.9	12.5	291.7	14.6
	55	128.8	6.0	156.5	7.4	182.5	8.8	218.4	10.7	255.9	12.8	291.7	14.9
	60	128.8	6.2	156.5	7.6	182.5	9.0	218.4	11.0	255.9	13.1	291.7	15.4
	65	128.8	6.4	156.5	7.8	182.5	9.3	218.4	11.3	255.9	13.5	291.7	15.8
	70	128.8	6.9	156.5	8.5	182.5	10.1	218.4	12.3	255.9	14.7	291.7	17.2
	75	128.8	7.6	156.5	9.4	182.5	11.1	218.4	13.5	255.9	16.1	291.7	18.8
	80	128.8	8.4	156.5	10.3	182.5	12.1	218.4	14.8	255.9	17.7	291.7	20.7
	85	128.8	9.2	156.5	11.3	182.5	13.3	218.4	16.2	255.9	19.4	291.7	22.7
	90	128.8	10.1	156.5	12.4	182.5	14.6	218.4	17.8	255.9	21.3	291.7	24.9
	95	128.8	11.0	156.5	13.5	182.5	15.9	218.4	19.4	255.9	23.3	291.7	27.2
100	128.8	11.9	156.5	14.7	182.5	17.3	218.4	21.1	255.9	25.3	291.7	29.5	
105	128.8	12.9	156.5	15.8	182.5	18.7	218.4	22.8	255.9	27.3	291.7	31.9	
110	128.8	13.8	156.5	17.0	182.5	20.0	218.4	24.4	255.9	29.2	291.3	34.1	
115	128.8	14.6	156.5	17.9	182.5	21.2	218.4	25.8	250.5	30.3	255.3	31.6	
118	128.8	15.0	156.5	18.4	182.5	21.8	218.4	26.5	224.9	27.9	229.2	29.2	
125	124.2	15.1	138.0	17.0	142.7	17.8	148.2	18.8	152.6	19.8	155.6	20.6	
60%	-10	110.4	3.8	134.1	4.7	156.5	5.5	187.2	6.7	219.3	8.0	250.1	9.4
	-5	110.4	4.0	134.1	5.0	156.5	5.9	187.2	7.1	219.3	8.6	250.1	10.0
	10	110.4	4.1	134.1	5.1	156.5	6.0	187.2	7.3	219.3	8.7	250.1	10.2
	15	110.4	4.2	134.1	5.2	156.5	6.1	187.2	7.5	219.3	8.9	250.1	10.4
	20	110.4	4.3	134.1	5.3	156.5	6.2	187.2	7.6	219.3	9.1	250.1	10.7
	25	110.4	4.4	134.1	5.4	156.5	6.4	187.2	7.8	219.3	9.3	250.1	10.9
	30	110.4	4.5	134.1	5.5	156.5	6.5	187.2	8.0	219.3	9.6	250.1	11.2
	35	110.4	4.6	134.1	5.7	156.5	6.7	187.2	8.2	219.3	9.8	250.1	11.4
	40	110.4	4.7	134.1	5.8	156.5	6.9	187.2	8.4	219.3	10.0	250.1	11.7
	45	110.4	4.8	134.1	6.0	156.5	7.0	187.2	8.6	219.3	10.3	250.1	12.0
	50	110.4	5.0	134.1	6.1	156.5	7.2	187.2	8.8	219.3	10.5	250.1	12.3
	55	110.4	5.1	134.1	6.3	156.5	7.4	187.2	9.0	219.3	10.8	250.1	12.6
	60	110.4	5.2	134.1	6.4	156.5	7.6	187.2	9.3	219.3	11.1	250.1	13.0
	65	110.4	5.4	134.1	6.6	156.5	7.8	187.2	9.5	219.3	11.4	250.1	13.3
	70	110.4	5.9	134.1	7.2	156.5	8.5	187.2	10.4	219.3	12.4	250.1	14.5
	75	110.4	6.4	134.1	7.9	156.5	9.3	187.2	11.4	219.3	13.6	250.1	15.9
	80	110.4	7.1	134.1	8.7	156.5	10.3	187.2	12.5	219.3	15.0	250.1	17.5
	85	110.4	7.8	134.1	9.5	156.5	11.3	187.2	13.7	219.3	16.4	250.1	19.2
	90	110.4	8.5	134.1	10.4	156.5	12.3	187.2	15.0	219.3	18.0	250.1	21.0
	95	110.4	9.3	134.1	11.4	156.5	13.5	187.2	16.4	219.3	19.7	250.1	23.0
100	110.4	10.1	134.1	12.4	156.5	14.6	187.2	17.8	219.3	21.4	250.1	25.0	
105	110.4	10.9	134.1	13.4	156.5	15.8	187.2	19.3	219.3	23.1	250.1	26.9	
110	110.4	11.7	134.1	14.3	156.5	16.9	187.2	20.6	219.3	24.7	250.1	28.8	
115	110.4	12.3	134.1	15.2	156.5	17.9	187.2	21.8	219.3	26.1	250.1	30.5	
118	110.4	12.7	134.1	15.6	156.5	18.4	187.2	22.4	219.3	26.9	229.2	28.8	
125	110.4	13.2	134.1	16.3	142.7	17.5	148.2	18.5	152.6	19.5	155.6	20.4	

NOTE - Power Input = Compressor + Outdoor Fan Motor.  
MBH = 1000 BTUs per hour.



## COOLING CAPACITY - TWO MODULE | VRB312H4

Combination (%)	Outdoor Temperature °F (Dry Bulb)	Indoor Temperature - °F (Dry Bulb / Wet Bulb)											
		67 / 57		71 / 60		75 / 63		80 / 67		85 / 71		90 / 75	
		Total Cap.	Power Input	Total Cap.	Power Input	Total Cap.	Power Input	Total Cap.	Power Input	Total Cap.	Power Input	Total Cap.	Power Input
		MBH	kW	MBH	kW	MBH	kW	MBH	kW	MBH	kW	MBH	kW
50%	-10	84.8	2.9	111.8	3.8	130.4	4.5	156.0	5.5	182.8	6.6	208.4	7.7
	-5	92.0	3.3	111.8	4.1	130.4	4.8	156.0	5.9	182.8	7.0	208.4	8.2
	10	92.0	3.4	111.8	4.2	130.4	4.9	156.0	6.0	182.8	7.2	208.4	8.4
	15	92.0	3.5	111.8	4.3	130.4	5.0	156.0	6.1	182.8	7.3	208.4	8.6
	20	92.0	3.5	111.8	4.3	130.4	5.1	156.0	6.3	182.8	7.5	208.4	8.8
	25	92.0	3.6	111.8	4.4	130.4	5.3	156.0	6.4	182.8	7.7	208.4	9.0
	30	92.0	3.7	111.8	4.6	130.4	5.4	156.0	6.6	182.8	7.8	208.4	9.2
	35	92.0	3.8	111.8	4.7	130.4	5.5	156.0	6.7	182.8	8.0	208.4	9.4
	40	92.0	3.9	111.8	4.8	130.4	5.6	156.0	6.9	182.8	8.2	208.4	9.6
	45	92.0	4.0	111.8	4.9	130.4	5.8	156.0	7.0	182.8	8.4	208.4	9.9
	50	92.0	4.1	111.8	5.0	130.4	5.9	156.0	7.2	182.8	8.7	208.4	10.1
	55	92.0	4.2	111.8	5.2	130.4	6.1	156.0	7.4	182.8	8.9	208.4	10.4
	60	92.0	4.3	111.8	5.3	130.4	6.3	156.0	7.6	182.8	9.1	208.4	10.7
	65	92.0	4.4	111.8	5.4	130.4	6.4	156.0	7.8	182.8	9.4	208.4	11.0
	70	92.0	4.8	111.8	5.9	130.4	7.0	156.0	8.5	182.8	10.2	208.4	11.9
	75	92.0	5.3	111.8	6.5	130.4	7.7	156.0	9.4	182.8	11.2	208.4	13.1
	80	92.0	5.8	111.8	7.1	130.4	8.4	156.0	10.3	182.8	12.3	208.4	14.4
	85	92.0	6.4	111.8	7.8	130.4	9.2	156.0	11.3	182.8	13.5	208.4	15.8
90	92.0	7.0	111.8	8.6	130.4	10.1	156.0	12.3	182.8	14.8	208.4	17.3	
95	92.0	7.6	111.8	9.4	130.4	11.1	156.0	13.5	182.8	16.2	208.4	18.9	
100	92.0	8.3	111.8	10.2	130.4	12.0	156.0	14.7	182.8	17.6	208.4	20.5	
105	92.0	8.9	111.8	11.0	130.4	13.0	156.0	15.8	182.8	19.0	208.4	22.1	
110	92.0	9.6	111.8	11.8	130.4	13.9	156.0	16.9	182.8	20.3	208.4	23.7	
115	92.0	10.1	111.8	12.5	130.4	14.7	156.0	17.9	182.8	21.5	208.4	25.1	
118	92.0	10.4	111.8	12.8	130.4	15.1	156.0	18.4	182.8	22.1	208.4	25.8	
125	92.0	10.9	111.8	13.4	130.4	15.8	148.2	18.3	152.6	19.2	155.6	20.1	

NOTE - Power Input = Compressor + Outdoor Fan Motor.  
 MBH = 1000 BTUs per hour.

# HEATING CAPACITY - TWO MODULE | VRB312H4

Combination (%)	Outdoor Temperature (°F)		Indoor Temperature - °F Dry Bulb											
			61		64		67		70		73		75	
			Total Cap.	Power Input	Total Cap.	Power Input	Total Cap.	Power Input	Total Cap.	Power Input	Total Cap.	Power Input	Total Cap.	Power Input
	Dry Bulb	Wet Bulb	MBH	kW	MBH	kW	MBH	kW	MBH	kW	MBH	kW	MBH	kW
130%	-13	-14	187.6	22.7	187.1	23.3	186.6	23.9	186.2	24.6	185.7	25.4	185.4	25.9
	-8	-9	194.2	23.5	193.7	24.1	193.2	24.8	192.7	25.5	192.2	26.2	191.9	26.8
	-3	-4	205.8	24.7	205.3	25.4	204.8	26.1	204.3	26.8	203.7	27.6	203.4	28.2
	2	1	221.1	26.2	220.5	26.9	220.0	27.6	219.4	28.4	218.8	29.3	218.5	29.8
	7	6	238.8	27.8	238.2	28.6	237.6	29.3	237.0	30.1	236.4	31.0	236.0	31.5
	12	10	257.9	29.4	257.2	30.1	256.6	30.8	255.9	31.7	255.3	32.6	254.9	33.2
	17	15	277.4	30.7	276.7	31.4	276.1	32.2	275.4	33.0	274.6	33.9	274.2	34.5
	22	20	296.7	31.7	295.9	32.5	295.2	33.2	294.4	34.0	293.7	34.9	293.2	35.5
	27	24	314.9	32.4	314.1	33.2	313.4	33.9	312.6	34.7	311.7	35.5	311.2	36.1
	32	29	331.6	32.8	330.8	33.5	330.0	34.2	329.2	34.9	328.4	35.5	327.7	34.8
	37	34	346.5	32.7	345.6	33.4	344.7	34.0	344.0	34.1	343.3	33.3	342.6	32.8
	42	38	359.1	32.3	358.4	33.0	357.7	32.5	357.0	31.9	356.3	31.3	355.6	31.0
	47	43	381.4	32.3	380.7	31.9	380.0	31.4	379.3	30.9	378.6	30.5	377.9	30.2
	52	47	419.9	32.4	419.2	32.0	418.5	31.7	417.8	31.3	417.1	30.7	416.4	29.9
	57	52	457.1	32.4	456.4	32.1	455.7	31.8	455.0	31.0	454.3	29.4	453.6	28.0
	62	56	492.9	32.3	492.2	32.0	491.5	31.1	490.8	29.4	490.1	27.4	489.4	26.1
	67	61	523.2	31.9	522.5	31.1	521.8	29.4	521.1	27.5	520.4	25.7	519.7	24.5
	72	66	541.1	30.8	540.4	29.1	539.7	27.5	539.0	25.8	538.3	24.2	537.6	23.1
	75	69	541.1	29.6	540.4	28.0	539.7	26.5	539.0	24.9	538.3	23.3	537.6	22.3
	80	74	541.1	27.9	540.4	26.4	539.7	25.0	539.0	23.5	538.3	22.1	537.6	21.1
120%	-13	-14	186.8	22.2	186.3	22.9	185.9	23.5	185.4	24.1	184.9	24.9	184.6	25.4
	-8	-9	193.4	23.0	192.9	23.7	192.5	24.3	192.0	25.0	191.5	25.7	191.2	26.3
	-3	-4	205.0	24.3	204.5	24.9	204.0	25.6	203.5	26.3	202.9	27.1	202.6	27.6
	2	1	220.2	25.7	219.6	26.4	219.1	27.1	218.5	27.9	218.0	28.7	217.6	29.2
	7	6	237.8	27.3	237.2	28.0	236.7	28.7	236.0	29.5	235.4	30.4	235.0	30.9
	12	10	256.9	28.8	256.2	29.5	255.6	30.2	254.9	31.1	254.3	31.9	253.8	32.5
	17	15	276.3	30.1	275.6	30.8	275.0	31.6	274.3	32.4	273.6	33.3	273.1	33.8
	22	20	295.5	31.1	294.7	31.8	294.0	32.6	293.3	33.4	292.5	34.2	292.0	34.8
	27	24	313.7	31.8	312.9	32.5	312.1	33.2	311.3	34.0	310.5	34.9	310.0	35.4
	32	29	330.3	32.1	329.5	32.8	328.7	33.5	327.9	34.3	327.1	34.8	326.4	34.1
	37	34	345.1	32.1	344.2	32.7	343.4	33.4	342.7	33.4	342.0	32.6	341.3	32.2
	42	38	357.7	31.7	357.0	32.3	356.3	31.9	355.6	31.3	354.9	30.7	354.2	30.3
	47	43	381.4	31.8	380.7	31.4	380.0	30.9	379.3	30.4	378.6	29.9	377.9	29.1
	52	47	419.9	31.9	419.2	31.5	418.5	31.2	417.8	30.3	417.1	28.8	416.4	27.4
	57	52	457.1	31.9	456.4	31.5	455.7	30.6	455.0	28.8	454.3	26.7	453.6	25.4
	62	56	486.4	31.4	485.7	30.4	485.0	28.6	484.3	26.8	483.6	24.9	482.9	23.8
	67	61	499.5	30.0	498.8	28.3	498.1	26.7	497.4	25.0	496.7	23.3	496.0	22.3
	72	66	499.5	28.0	498.8	26.5	498.1	25.0	497.4	23.5	496.7	22.0	496.0	21.0
	75	69	499.5	26.9	498.8	25.5	498.1	24.1	497.4	22.6	496.7	21.2	496.0	20.3
	80	74	499.5	25.3	498.8	24.0	498.1	22.7	497.4	21.4	496.7	20.0	496.0	19.2
110%	-13	-14	186.1	21.8	185.6	22.4	185.2	23.0	184.7	23.7	184.2	24.4	183.9	24.9
	-8	-9	192.7	22.6	192.2	23.2	191.7	23.8	191.2	24.5	190.7	25.2	190.4	25.7
	-3	-4	204.2	23.8	203.7	24.4	203.2	25.1	202.6	25.8	202.1	26.6	201.8	27.1
	2	1	219.3	25.2	218.8	25.9	218.2	26.6	217.7	27.3	217.1	28.1	216.7	28.7
	7	6	236.9	26.8	236.3	27.5	235.7	28.2	235.1	28.9	234.5	29.8	234.1	30.3
	12	10	255.8	28.2	255.2	29.0	254.6	29.7	253.9	30.5	253.3	31.3	252.8	31.9
	17	15	275.2	29.5	274.5	30.2	273.9	31.0	273.2	31.8	272.5	32.6	272.0	33.2
	22	20	294.3	30.5	293.6	31.2	292.9	31.9	292.1	32.7	291.4	33.6	290.9	34.2
	27	24	312.4	31.2	311.6	31.9	310.9	32.6	310.1	33.4	309.3	34.2	309.2	34.8
	32	29	329.0	31.5	328.2	32.2	327.4	32.9	326.5	33.6	325.8	34.1	325.1	33.5
	37	34	343.7	31.5	342.8	32.1	342.0	32.7	341.3	32.8	340.6	32.0	339.9	31.2
	42	38	356.3	31.1	355.6	31.7	354.9	31.3	354.2	30.7	353.5	29.8	352.8	29.0
	47	43	381.4	31.4	380.7	30.9	380.0	30.4	379.3	29.6	378.6	28.2	377.9	26.8
	52	47	419.9	31.4	419.2	30.9	418.5	29.9	417.8	28.1	417.1	26.0	416.4	24.7
	57	52	448.9	30.9	448.2	29.6	447.5	27.8	446.8	26.0	446.1	24.1	445.4	23.0
	62	56	457.9	29.1	457.2	27.4	456.5	25.8	455.8	24.2	455.1	22.5	454.4	21.4
	67	61	457.9	27.1	457.2	25.5	456.5	24.1	455.8	22.6	455.1	21.1	454.4	20.1
	72	66	457.9	25.3	457.2	23.9	456.5	22.6	455.8	21.2	455.1	19.8	454.4	18.9
	75	69	457.9	24.3	457.2	23.0	456.5	21.8	455.8	20.4	455.1	19.1	454.4	18.3
	80	74	457.9	22.9	457.2	21.7	456.5	20.5	455.8	19.3	455.1	18.1	454.4	17.3

NOTE - Power Input = Compressor + Outdoor Fan Motor.  
 MBH = 1000 BTUs per hour.

# HEATING CAPACITY - TWO MODULE | VRB312H4

Combination (%)	Outdoor Temperature (°F)		Indoor Temperature - °F Dry Bulb											
			61		64		67		70		73		75	
	Dry Bulb	Wet Bulb	Total Cap. MBH	Power Input kW	Total Cap. MBH	Power Input kW	Total Cap. MBH	Power Input kW	Total Cap. MBH	Power Input kW	Total Cap. MBH	Power Input kW	Total Cap. MBH	Power Input kW
100%	-13	-14	185.3	21.4	184.9	22.0	184.4	22.6	183.9	23.2	183.5	23.9	183.2	24.4
	-8	-9	191.9	22.2	191.4	22.8	190.9	23.4	190.5	24.0	190.0	24.8	189.7	25.3
	-3	-4	203.4	23.3	202.8	24.0	202.4	24.6	201.8	25.3	201.3	26.1	201.0	26.6
	2	1	218.4	24.8	217.9	25.4	217.4	26.1	216.8	26.8	216.2	27.6	215.9	28.1
	7	6	235.9	26.3	235.3	27.0	234.8	27.6	234.2	28.4	233.6	29.2	233.2	29.8
	12	10	254.8	27.7	254.2	28.4	253.6	29.1	252.9	29.9	252.3	30.7	251.8	31.3
	17	15	274.2	29.0	273.5	29.7	272.8	30.4	272.1	31.2	271.4	32.0	270.9	32.6
	22	20	293.2	29.9	292.4	30.6	291.7	31.3	291.0	32.1	290.2	33.0	289.7	33.5
	27	24	311.2	30.6	310.4	31.3	309.6	32.0	308.8	32.7	308.1	33.5	304.9	33.8
	32	29	327.7	30.9	326.9	31.6	326.1	32.2	325.2	33.0	320.2	33.0	314.4	31.9
	37	34	342.4	30.9	341.5	31.5	340.7	32.1	337.8	31.9	328.8	30.5	314.5	28.8
	42	38	354.8	30.5	353.9	31.1	353.1	30.7	345.1	29.5	328.8	27.6	314.5	26.2
	47	43	365.1	29.6	364.1	29.1	360.3	28.4	351.0	27.3	328.8	25.3	314.5	24.0
	52	47	373.1	27.5	372.1	27.2	365.0	26.4	351.0	25.1	328.8	23.3	314.5	22.1
	57	52	378.9	25.7	377.2	25.3	368.6	24.6	351.0	23.2	328.8	21.6	314.5	20.6
	62	56	382.9	24.0	379.6	23.6	371.1	23.0	351.0	21.6	328.8	20.2	314.5	19.2
	67	61	385.5	22.4	381.3	22.1	372.7	21.5	351.0	20.2	328.8	18.9	314.5	18.0
	72	66	387.2	21.0	382.4	20.7	373.2	20.2	351.0	19.0	328.8	17.7	314.5	17.0
75	69	388.0	20.3	383.0	20.0	373.2	19.5	351.0	18.3	328.8	17.1	314.5	16.4	
80	74	389.7	19.2	384.1	18.9	373.2	18.4	351.0	17.3	328.8	16.2	314.5	15.5	
90%	-13	-14	184.6	21.0	184.1	21.6	183.7	22.1	183.2	22.8	182.7	23.5	182.4	23.9
	-8	-9	191.1	21.8	190.6	22.3	190.2	22.9	189.7	23.6	189.2	24.3	188.9	24.8
	-3	-4	202.6	22.9	202.0	23.5	201.5	24.1	201.0	24.8	200.5	25.6	200.2	26.1
	2	1	217.6	24.3	217.0	25.0	216.5	25.6	215.9	26.3	215.4	27.1	215.0	27.6
	7	6	235.0	25.8	234.4	26.4	233.8	27.1	233.2	27.9	232.6	28.7	232.2	29.2
	12	10	253.8	27.2	253.2	27.9	252.5	28.6	251.9	29.3	251.2	30.1	250.8	30.7
	17	15	273.1	28.4	272.4	29.1	271.7	29.8	271.0	30.6	270.3	31.4	269.9	32.0
	22	20	292.0	29.4	291.2	30.1	290.5	30.8	289.8	31.5	286.4	32.0	273.9	31.2
	27	24	309.9	30.0	309.1	30.7	308.4	31.4	305.4	31.9	285.5	30.6	274.4	30.0
	32	29	326.4	30.3	325.6	31.0	323.2	31.5	303.3	30.3	288.2	29.3	283.0	28.3
	37	34	341.0	30.3	339.4	30.9	320.1	29.7	304.0	28.3	295.9	27.0	283.0	25.5
	42	38	353.4	29.9	334.7	29.0	318.8	27.3	310.6	26.1	295.9	24.5	283.0	23.2
	47	43	344.0	27.4	331.9	26.1	324.2	25.2	315.9	24.2	295.9	22.4	283.0	21.3
	52	47	335.7	24.4	336.2	24.2	328.5	23.4	315.9	22.3	295.9	20.7	283.0	19.6
	57	52	341.0	22.7	339.4	22.5	331.7	21.8	315.9	20.6	295.9	19.2	283.0	18.2
	62	56	344.6	21.2	341.7	21.0	334.0	20.4	315.9	19.2	295.9	17.9	283.0	17.0
	67	61	346.9	19.9	343.2	19.6	335.4	19.1	315.9	17.9	295.9	16.7	283.0	16.0
	72	66	348.5	18.7	344.2	18.4	335.9	17.9	315.9	16.8	295.9	15.7	283.0	15.0
75	69	349.2	18.0	344.7	17.7	335.9	17.3	315.9	16.2	295.9	15.2	283.0	14.5	
80	74	350.7	17.0	345.7	16.8	335.9	16.3	315.9	15.3	295.9	14.4	283.0	13.7	
80%	-13	-14	183.9	20.6	183.4	21.2	182.9	21.7	182.5	22.4	182.0	23.0	181.7	23.5
	-8	-9	190.4	21.3	189.9	21.9	189.4	22.5	188.9	23.2	188.4	23.9	188.1	24.3
	-3	-4	201.7	22.5	201.2	23.1	200.7	23.7	200.2	24.4	199.7	25.1	199.4	25.6
	2	1	216.7	23.9	216.1	24.5	215.6	25.1	215.1	25.8	214.5	26.6	214.2	27.1
	7	6	234.1	25.3	233.5	26.0	232.9	26.6	232.3	27.4	231.7	28.1	231.3	28.7
	12	10	252.8	26.7	252.1	27.4	251.5	28.0	250.9	28.8	250.2	29.6	244.4	29.5
	17	15	272.0	27.9	271.3	28.6	270.6	29.2	269.9	30.0	255.9	29.3	245.2	28.6
	22	20	290.8	28.8	290.1	29.5	288.2	30.1	272.7	29.2	255.7	28.2	244.7	27.5
	27	24	308.7	29.5	305.4	29.9	289.1	29.0	271.4	27.9	253.7	26.8	243.9	26.3
	32	29	321.9	29.5	303.6	28.5	286.3	27.5	268.1	26.4	256.2	25.7	251.5	24.8
	37	34	318.0	27.8	299.2	26.8	281.6	25.8	270.3	24.8	263.0	23.7	251.6	22.3
	42	38	312.1	26.0	292.8	25.0	283.4	23.9	276.1	22.9	263.1	21.5	251.6	20.3
	47	43	304.2	23.9	295.1	22.9	288.2	22.1	280.8	21.2	263.1	19.6	251.6	18.6
	52	47	306.2	21.9	298.9	21.2	292.0	20.5	280.8	19.5	263.1	18.1	251.6	17.2
	57	52	309.0	20.3	301.7	19.7	294.9	19.1	280.8	18.1	263.1	16.8	251.6	16.0
	62	56	311.0	18.9	303.7	18.4	296.9	17.9	280.8	16.8	263.1	15.7	251.6	14.9
	67	61	312.3	17.6	305.0	17.2	298.2	16.7	280.8	15.7	263.1	14.7	251.6	14.0
	72	66	313.2	16.5	305.9	16.1	298.5	15.7	280.8	14.7	263.1	13.8	251.6	13.2
75	69	313.7	15.9	306.4	15.5	298.5	15.1	280.8	14.2	263.1	13.3	251.6	12.7	
80	74	314.6	15.0	307.3	14.7	298.5	14.3	280.8	13.4	263.1	12.6	251.6	12.0	

NOTE - Power Input = Compressor + Outdoor Fan Motor.  
 MBH = 1000 BTUs per hour.

# HEATING CAPACITY - TWO MODULE | VRB312H4

Combination (%)	Outdoor Temperature (°F)		Indoor Temperature - °F Dry Bulb											
			61		64		67		70		73		75	
	Dry Bulb	Wet Bulb	Total Cap.	Power Input	Total Cap.	Power Input	Total Cap.	Power Input	Total Cap.	Power Input	Total Cap.	Power Input	Total Cap.	Power Input
			MBH	kW	MBH	kW	MBH	kW	MBH	kW	MBH	kW	MBH	kW
70%	-13	-14	183.1	20.2	182.6	20.8	182.2	21.3	181.7	22.0	181.3	22.6	181.0	23.1
	-8	-9	189.6	21.0	189.1	21.5	188.7	22.1	188.2	22.7	187.7	23.4	187.4	23.9
	-3	-4	200.9	22.1	200.4	22.7	199.9	23.3	199.4	23.9	198.9	24.6	198.6	25.1
	2	1	215.8	23.4	215.3	24.0	214.8	24.7	214.2	25.4	213.7	26.1	213.3	26.6
	7	6	233.1	24.8	232.5	25.5	232.0	26.1	231.4	26.9	225.1	26.9	216.5	26.5
	12	10	251.8	26.2	251.1	26.9	250.5	27.5	240.0	27.1	226.2	26.4	217.3	25.8
	17	15	270.9	27.4	268.3	27.9	255.0	27.2	240.6	26.4	226.3	25.5	217.1	25.0
	22	20	283.7	27.7	268.7	27.0	254.7	26.2	239.8	25.3	225.0	24.5	215.4	23.9
	27	24	282.7	26.6	267.2	25.8	252.7	25.0	237.3	24.1	222.0	23.1	213.4	22.6
	32	29	279.7	25.2	263.7	24.4	248.8	23.5	232.9	22.6	224.2	22.1	220.1	21.4
	37	34	274.7	23.7	258.3	22.8	243.0	21.9	236.5	21.4	230.1	20.4	220.1	19.3
	42	38	267.7	22.0	253.9	21.3	248.0	20.6	241.6	19.7	230.2	18.5	220.1	17.5
	47	43	264.5	20.5	258.2	19.7	252.2	19.0	245.7	18.3	230.2	16.9	220.1	16.1
	52	47	267.9	18.9	261.5	18.3	255.5	17.7	245.7	16.8	230.2	15.6	220.1	14.8
	57	52	270.4	17.5	264.0	17.0	258.0	16.5	245.7	15.6	230.2	14.5	220.1	13.8
	62	56	272.1	16.3	265.7	15.8	259.7	15.4	245.7	14.5	230.2	13.5	220.1	12.9
	67	61	273.3	15.2	266.9	14.8	260.9	14.4	245.7	13.5	230.2	12.6	220.1	12.1
	72	66	274.1	14.3	267.7	13.9	261.2	13.5	245.7	12.7	230.2	11.9	220.1	11.4
	75	69	274.5	13.7	268.1	13.4	261.2	13.1	245.7	12.3	230.2	11.5	220.1	11.0
	80	74	275.3	12.9	268.9	12.7	261.2	12.3	245.7	11.6	230.2	10.9	220.1	10.4
60%	-13	-14	182.4	19.9	181.9	20.4	181.5	21.0	181.0	21.6	180.5	22.2	180.2	22.6
	-8	-9	188.8	20.6	188.3	21.1	187.9	21.7	187.4	22.3	186.9	23.0	186.6	23.4
	-3	-4	200.1	21.7	199.6	22.3	199.1	22.8	198.6	23.5	197.0	24.1	188.7	23.5
	2	1	215.0	23.0	214.4	23.6	213.9	24.2	208.1	24.3	197.3	23.8	188.7	23.2
	7	6	232.2	24.4	231.0	25.0	220.3	24.5	209.0	23.9	197.3	23.3	188.7	22.7
	12	10	244.1	25.0	232.3	24.5	221.2	24.0	209.5	23.4	197.3	22.7	188.7	22.1
	17	15	244.9	24.4	232.6	23.8	221.1	23.2	208.9	22.6	197.3	22.0	188.7	21.4
	22	20	244.2	23.5	231.5	22.9	219.5	22.3	206.9	21.6	197.3	21.1	188.7	20.6
	27	24	241.7	22.4	228.6	21.7	216.3	21.1	203.2	20.3	197.3	20.3	188.7	19.7
	32	29	237.4	21.1	223.9	20.4	211.2	19.7	197.8	18.9	197.3	19.2	188.7	18.1
	37	34	231.3	19.7	217.4	18.9	208.1	18.5	202.7	18.1	197.3	17.2	188.7	16.3
	42	38	223.3	18.1	217.7	18.0	212.5	17.4	207.1	16.7	197.3	15.6	188.7	14.8
	47	43	226.8	17.3	221.3	16.7	216.2	16.1	210.6	15.5	197.3	14.3	188.7	13.6
	52	47	229.6	16.0	224.2	15.4	219.0	14.9	210.6	14.2	197.3	13.2	188.7	12.5
	57	52	231.8	14.8	226.3	14.3	221.1	13.9	210.6	13.2	197.3	12.2	188.7	11.6
	62	56	233.3	13.8	227.8	13.4	222.6	13.0	210.6	12.2	197.3	11.4	188.7	10.9
	67	61	234.2	12.9	228.8	12.5	223.6	12.2	210.6	11.4	197.3	10.7	188.7	10.2
	72	66	234.9	12.0	229.4	11.7	223.9	11.4	210.6	10.7	197.3	10.0	188.7	9.6
	75	69	235.3	11.6	229.8	11.3	223.9	11.0	210.6	10.4	197.3	9.7	188.7	9.3
	80	74	235.9	10.9	230.5	10.7	223.9	10.4	210.6	9.8	197.3	9.2	188.7	8.8
50%	-13	-14	181.6	19.5	181.2	20.0	180.7	20.6	175.5	20.6	164.4	19.9	157.2	19.5
	-8	-9	188.1	20.2	187.6	20.8	186.6	21.2	175.5	20.6	164.4	19.9	157.2	19.5
	-3	-4	199.3	21.3	197.0	21.7	186.6	21.1	175.5	20.5	164.4	19.8	157.2	19.3
	2	1	206.4	21.8	197.0	21.4	186.6	20.8	175.5	20.2	164.4	19.5	157.2	19.1
	7	6	207.2	21.5	197.0	21.0	186.6	20.4	175.5	19.8	164.4	19.1	157.2	18.7
	12	10	207.5	21.0	197.0	20.5	186.6	19.9	175.5	19.3	164.4	18.6	157.2	18.2
	17	15	206.8	20.3	197.0	19.9	186.6	19.3	175.5	18.7	164.4	18.0	157.2	17.6
	22	20	204.6	19.4	197.0	19.2	186.6	18.7	175.5	18.0	164.4	17.4	157.2	16.9
	27	24	200.8	18.4	197.0	18.5	186.6	17.9	175.5	17.3	164.4	16.7	157.2	16.2
	32	29	195.2	17.1	197.0	17.7	186.6	17.2	175.5	16.6	164.4	15.8	157.2	14.8
	37	34	187.9	15.8	197.0	16.9	186.6	16.4	175.5	15.4	164.4	14.2	157.2	13.4
	42	38	185.9	14.9	197.0	16.1	186.6	15.1	175.5	13.9	164.4	12.9	157.2	12.2
	47	43	189.0	14.2	197.0	14.7	186.6	13.7	175.5	12.7	164.4	11.8	157.2	11.2
	52	47	191.4	13.1	197.0	13.4	186.6	12.6	175.5	11.7	164.4	10.8	157.2	10.3
	57	52	193.1	12.2	197.0	12.3	186.6	11.6	175.5	10.8	164.4	10.1	157.2	9.6
	62	56	194.4	11.3	197.0	11.4	186.6	10.8	175.5	10.1	164.4	9.4	157.2	8.9
	67	61	195.2	10.6	197.0	10.6	186.6	10.0	175.5	9.4	164.4	8.8	157.2	8.4
	72	66	195.8	9.9	197.0	9.9	186.6	9.4	175.5	8.8	164.4	8.3	157.2	7.9
	75	69	196.1	9.5	197.0	9.6	186.6	9.1	175.5	8.5	164.4	8.0	157.2	7.6
	80	74	196.6	9.0	197.0	9.0	186.6	8.5	175.5	8.0	164.4	7.5	157.2	7.2

NOTE - Power Input = Compressor + Outdoor Fan Motor.  
 MBH = 1000 BTUs per hour.

# COOLING CAPACITY - TWO MODULE | VRB336H4

Combination (%)	Outdoor Temperature °F (Dry Bulb)	Indoor Temperature - °F (Dry Bulb / Wet Bulb)											
		67 / 57		71 / 60		75 / 63		80 / 67		85 / 71		90 / 75	
		Total Cap.	Power Input	Total Cap.	Power Input	Total Cap.	Power Input	Total Cap.	Power Input	Total Cap.	Power Input	Total Cap.	Power Input
		MBH	kW	MBH	kW	MBH	kW	MBH	kW	MBH	kW	MBH	kW
130%	-10	257.5	10.0	312.9	12.3	365.1	14.5	436.8	17.7	511.8	21.2	583.5	24.8
	-5	257.5	10.6	312.9	13.1	365.1	15.4	436.8	18.8	511.8	22.5	557.1	25.1
	10	257.5	10.9	312.9	13.4	365.1	15.8	436.8	19.2	511.8	23.0	547.6	25.2
	15	257.5	11.1	312.9	13.7	365.1	16.1	436.8	19.6	511.8	23.5	537.1	25.3
	20	257.5	11.3	312.9	13.9	365.1	16.5	436.8	20.1	511.8	24.0	526.6	25.3
	25	257.5	11.6	312.9	14.3	365.1	16.9	436.8	20.5	511.8	24.6	515.9	25.4
	30	257.5	11.9	312.9	14.6	365.1	17.2	436.8	21.0	499.0	24.5	505.7	25.5
	35	257.5	12.2	312.9	15.0	365.1	17.7	436.8	21.5	489.6	24.7	496.3	25.6
	40	257.5	12.5	312.9	15.3	365.1	18.1	436.8	22.0	484.4	25.0	491.1	26.0
	45	257.5	12.8	312.9	15.7	365.1	18.5	436.8	22.6	483.7	25.6	490.4	26.6
	50	257.5	13.1	312.9	16.1	365.1	19.0	436.8	23.2	483.7	26.2	490.5	27.3
	55	257.5	13.5	312.9	16.5	365.1	19.5	436.8	23.8	484.3	27.0	491.0	28.0
	60	257.5	13.8	312.9	17.0	365.1	20.1	436.8	24.4	486.8	27.9	491.9	28.8
	65	257.5	14.2	312.9	17.5	365.1	20.6	436.8	25.1	483.4	28.4	492.7	29.7
	70	257.5	15.5	312.9	19.0	365.1	22.4	436.8	27.3	483.6	30.9	492.9	32.3
	75	257.5	17.0	312.9	20.8	365.1	24.6	436.8	30.0	482.6	33.9	491.9	35.4
	80	257.5	18.6	312.9	22.9	365.1	27.0	436.8	32.9	479.9	37.0	489.1	38.6
	85	257.5	20.4	312.9	25.1	365.1	29.7	436.8	36.1	474.5	40.1	483.6	41.9
	90	257.5	22.4	312.9	27.5	365.1	32.5	436.8	39.6	465.7	43.2	474.6	45.1
	95	257.5	24.5	312.9	30.1	365.1	35.5	421.6	41.7	428.3	43.4	435.0	45.1
100	257.5	26.6	312.9	32.7	365.1	38.6	402.3	43.3	409.1	45.0	416.9	47.0	
105	257.5	28.7	312.9	35.3	365.1	41.7	373.9	43.5	385.0	45.7	392.4	47.8	
110	257.5	30.7	312.9	37.7	330.4	40.3	343.2	42.7	353.4	44.9	360.1	46.9	
115	257.5	32.5	282.8	36.1	292.6	37.8	303.8	40.0	312.9	42.1	318.9	43.9	
118	245.3	31.8	256.1	33.6	265.0	35.2	275.2	37.2	283.3	39.2	288.8	40.9	
125	172.8	23.4	180.4	24.7	186.7	25.9	193.9	27.4	199.6	28.8	203.5	30.1	
120%	-10	237.7	9.1	288.9	11.2	337.0	13.2	403.2	16.1	472.4	19.3	538.6	22.5
	-5	237.7	9.7	288.9	11.9	337.0	14.0	403.2	17.1	472.4	20.5	538.6	23.9
	10	237.7	9.9	288.9	12.1	337.0	14.3	403.2	17.5	472.4	20.9	538.2	24.4
	15	237.7	10.1	288.9	12.4	337.0	14.6	403.2	17.9	472.4	21.4	527.8	24.5
	20	237.7	10.3	288.9	12.7	337.0	15.0	403.2	18.2	472.4	21.9	517.4	24.5
	25	237.7	10.6	288.9	13.0	337.0	15.3	403.2	18.7	472.4	22.4	506.7	24.6
	30	237.7	10.8	288.9	13.3	337.0	15.7	403.2	19.1	472.4	22.9	496.6	24.6
	35	237.7	11.1	288.9	13.6	337.0	16.0	403.2	19.6	472.4	23.4	487.2	24.7
	40	237.7	11.3	288.9	13.9	337.0	16.4	403.2	20.0	472.4	24.0	481.9	25.1
	45	237.7	11.6	288.9	14.3	337.0	16.9	403.2	20.5	472.4	24.6	481.2	25.7
	50	237.7	11.9	288.9	14.6	337.0	17.3	403.2	21.1	472.4	25.2	481.2	26.3
	55	237.7	12.2	288.9	15.0	337.0	17.7	403.2	21.6	472.4	25.9	481.8	27.1
	60	237.7	12.6	288.9	15.4	337.0	18.2	403.2	22.2	472.4	26.6	482.6	27.8
	65	237.7	12.9	288.9	15.9	337.0	18.7	403.2	22.8	472.4	27.4	483.4	28.7
	70	237.7	14.0	288.9	17.3	337.0	20.4	403.2	24.8	472.4	29.8	483.6	31.2
	75	237.7	15.4	288.9	18.9	337.0	22.4	403.2	27.3	472.4	32.7	482.6	34.2
	80	237.7	16.9	288.9	20.8	337.0	24.6	403.2	29.9	470.8	35.7	479.9	37.3
	85	237.7	18.6	288.9	22.8	337.0	27.0	403.2	32.9	465.6	38.8	474.5	40.5
	90	237.7	20.3	288.9	25.0	337.0	29.5	403.2	36.0	456.9	41.7	465.7	43.5
	95	237.7	22.2	288.9	27.3	337.0	32.2	403.2	39.3	428.3	42.7	435.0	44.4
100	237.7	24.2	288.9	29.7	337.0	35.1	403.2	42.7	409.1	44.3	416.9	46.3	
105	237.7	26.1	288.9	32.1	337.0	37.9	373.9	42.8	385.0	45.0	392.4	47.0	
110	237.7	27.9	288.9	34.3	330.4	39.7	343.2	42.0	353.4	44.2	360.1	46.2	
115	237.7	29.5	282.8	35.5	292.6	37.2	303.8	39.4	312.9	41.4	318.9	43.3	
118	237.7	30.4	256.1	33.1	265.0	34.6	275.2	36.7	283.3	38.6	288.8	40.3	
125	172.8	23.0	180.4	24.3	186.7	25.5	193.9	26.9	199.6	28.4	203.5	29.6	

NOTE - Power Input = Compressor + Outdoor Fan Motor.  
MBH = 1000 BTUs per hour.

# COOLING CAPACITY - TWO MODULE | VRB336H4

Combination (%)	Outdoor Temperature °F (Dry Bulb)	Indoor Temperature - °F (Dry Bulb / Wet Bulb)											
		67 / 57		71 / 60		75 / 63		80 / 67		85 / 71		90 / 75	
		Total Cap.	Power Input	Total Cap.	Power Input	Total Cap.	Power Input	Total Cap.	Power Input	Total Cap.	Power Input	Total Cap.	Power Input
		MBH	KW	MBH	KW	MBH	KW	MBH	KW	MBH	KW	MBH	KW
110%	-10	217.9	8.2	264.8	10.1	308.9	11.9	369.6	14.5	433.0	17.4	493.7	20.3
	-5	217.9	8.7	264.8	10.7	308.9	12.7	369.6	15.4	433.0	18.5	493.7	21.6
	10	217.9	8.9	264.8	11.0	308.9	12.9	369.6	15.8	433.0	18.9	493.7	22.1
	15	217.9	9.1	264.8	11.2	308.9	13.2	369.6	16.1	433.0	19.3	493.7	22.5
	20	217.9	9.3	264.8	11.4	308.9	13.5	369.6	16.5	433.0	19.7	493.7	23.0
	25	217.9	9.5	264.8	11.7	308.9	13.8	369.6	16.8	433.0	20.2	493.7	23.6
	30	217.9	9.7	264.8	12.0	308.9	14.1	369.6	17.2	433.0	20.7	487.5	23.8
	35	217.9	10.0	264.8	12.3	308.9	14.5	369.6	17.7	433.0	21.1	478.1	23.9
	40	217.9	10.2	264.8	12.6	308.9	14.8	369.6	18.1	433.0	21.7	472.6	24.2
	45	217.9	10.5	264.8	12.9	308.9	15.2	369.6	18.5	433.0	22.2	471.9	24.8
	50	217.9	10.8	264.8	13.2	308.9	15.6	369.6	19.0	433.0	22.8	471.9	25.4
	55	217.9	11.0	264.8	13.6	308.9	16.0	369.6	19.5	433.0	23.4	472.5	26.1
	60	217.9	11.3	264.8	13.9	308.9	16.5	369.6	20.1	433.0	24.0	473.3	26.9
	65	217.9	11.7	264.8	14.3	308.9	16.9	369.6	20.6	433.0	24.7	474.1	27.7
	70	217.9	12.7	264.8	15.6	308.9	18.4	369.6	22.4	433.0	26.9	474.3	30.1
	75	217.9	13.9	264.8	17.1	308.9	20.2	369.6	24.6	433.0	29.5	473.3	33.0
	80	217.9	15.3	264.8	18.8	308.9	22.2	369.6	27.0	433.0	32.4	470.6	36.0
	85	217.9	16.8	264.8	20.6	308.9	24.3	369.6	29.7	433.0	35.5	465.4	39.1
	90	217.9	18.4	264.8	22.6	308.9	26.7	369.6	32.5	433.0	38.9	456.7	42.0
	95	217.9	20.1	264.8	24.7	308.9	29.1	369.6	35.5	433.0	42.5	435.0	43.7
100	217.9	21.8	264.8	26.8	308.9	31.6	369.6	38.6	409.1	43.6	416.9	45.6	
105	217.9	23.5	264.8	28.9	308.9	34.2	369.6	41.6	385.0	44.4	392.4	46.3	
110	217.9	25.2	264.8	31.0	308.9	36.6	343.2	41.4	353.4	43.6	360.1	45.5	
115	217.9	26.7	264.8	32.8	292.6	36.6	303.8	38.8	312.9	40.8	318.9	42.6	
118	217.9	27.4	256.1	32.6	265.0	34.1	275.2	36.1	283.3	38.0	288.8	39.7	
125	172.8	22.7	180.4	23.9	186.7	25.1	193.9	26.5	199.6	27.9	203.5	29.2	
100%	-10	198.1	7.4	240.7	9.0	280.8	10.7	336.0	13.0	393.7	15.6	448.8	18.2
	-5	198.1	7.8	240.7	9.6	280.8	11.3	336.0	13.8	393.7	16.6	448.8	19.3
	10	198.1	8.0	240.7	9.8	280.8	11.6	336.0	14.1	393.7	16.9	448.8	19.8
	15	198.1	8.2	240.7	10.0	280.8	11.8	336.0	14.4	393.7	17.3	448.8	20.2
	20	198.1	8.3	240.7	10.2	280.8	12.1	336.0	14.7	393.7	17.7	448.8	20.6
	25	198.1	8.5	240.7	10.5	280.8	12.4	336.0	15.1	393.7	18.1	448.8	21.1
	30	198.1	8.7	240.7	10.7	280.8	12.7	336.0	15.4	393.7	18.5	448.8	21.6
	35	198.1	8.9	240.7	11.0	280.8	13.0	336.0	15.8	393.7	18.9	448.8	22.1
	40	198.1	9.2	240.7	11.3	280.8	13.3	336.0	16.2	393.7	19.4	448.8	22.7
	45	198.1	9.4	240.7	11.5	280.8	13.6	336.0	16.6	393.7	19.9	448.8	23.2
	50	198.1	9.6	240.7	11.8	280.8	14.0	336.0	17.0	393.7	20.4	448.8	23.8
	55	198.1	9.9	240.7	12.1	280.8	14.3	336.0	17.5	393.7	20.9	448.8	24.5
	60	198.1	10.2	240.7	12.5	280.8	14.7	336.0	18.0	393.7	21.5	448.8	25.1
	65	198.1	10.4	240.7	12.8	280.8	15.1	336.0	18.5	393.7	22.1	448.8	25.8
	70	198.1	11.4	240.7	14.0	280.8	16.5	336.0	20.1	393.7	24.1	448.8	28.1
	75	198.1	12.5	240.7	15.3	280.8	18.1	336.0	22.0	393.7	26.4	448.8	30.8
	80	198.1	13.7	240.7	16.8	280.8	19.9	336.0	24.2	393.7	29.0	448.8	33.8
	85	198.1	15.0	240.7	18.5	280.8	21.8	336.0	26.6	393.7	31.8	448.8	37.1
	90	198.1	16.4	240.7	20.2	280.8	23.9	336.0	29.1	393.7	34.8	447.8	40.6
	95	198.1	18.0	240.7	22.1	280.8	26.1	<b>336.0</b>	<b>31.8</b>	393.7	38.1	435.0	43.1
100	198.1	19.5	240.7	24.0	280.8	28.3	336.0	34.5	393.7	41.4	416.9	44.9	
105	198.1	21.1	240.7	25.9	280.8	30.6	336.0	37.3	385.0	43.7	392.4	45.6	
110	198.1	22.6	240.7	27.7	280.8	32.7	336.0	39.9	353.4	42.9	360.1	44.8	
115	198.1	23.9	240.7	29.3	280.8	34.6	303.8	38.2	312.9	40.2	318.9	42.0	
118	198.1	24.5	240.7	30.2	265.0	33.6	275.2	35.6	283.3	37.4	288.8	39.1	
125	172.8	22.3	180.4	23.6	186.7	24.7	193.9	26.1	199.6	27.5	203.5	28.7	

NOTE - Power Input = Compressor + Outdoor Fan Motor.  
MBH = 1000 BTUs per hour.



# COOLING CAPACITY - TWO MODULE | VRB336H4

Combination (%)	Outdoor Temperature °F (Dry Bulb)	Indoor Temperature - °F (Dry Bulb / Wet Bulb)											
		67 / 57		71 / 60		75 / 63		80 / 67		85 / 71		90 / 75	
		Total Cap.	Power Input	Total Cap.	Power Input	Total Cap.	Power Input	Total Cap.	Power Input	Total Cap.	Power Input	Total Cap.	Power Input
		MBH	kW	MBH	kW	MBH	kW	MBH	kW	MBH	kW	MBH	kW
90%	-10	178.3	6.5	216.6	8.0	252.8	9.5	302.4	11.5	354.3	13.8	404.0	16.1
	-5	178.3	6.9	216.6	8.5	252.8	10.1	302.4	12.3	354.3	14.7	404.0	17.1
	10	178.3	7.1	216.6	8.7	252.8	10.3	302.4	12.5	354.3	15.0	404.0	17.5
	15	178.3	7.2	216.6	8.9	252.8	10.5	302.4	12.8	354.3	15.3	404.0	17.9
	20	178.3	7.4	216.6	9.1	252.8	10.7	302.4	13.1	354.3	15.7	404.0	18.3
	25	178.3	7.6	216.6	9.3	252.8	11.0	302.4	13.4	354.3	16.0	404.0	18.7
	30	178.3	7.7	216.6	9.5	252.8	11.2	302.4	13.7	354.3	16.4	404.0	19.1
	35	178.3	7.9	216.6	9.7	252.8	11.5	302.4	14.0	354.3	16.8	404.0	19.6
	40	178.3	8.1	216.6	10.0	252.8	11.8	302.4	14.4	354.3	17.2	404.0	20.1
	45	178.3	8.3	216.6	10.2	252.8	12.1	302.4	14.7	354.3	17.6	404.0	20.6
	50	178.3	8.5	216.6	10.5	252.8	12.4	302.4	15.1	354.3	18.1	404.0	21.1
	55	178.3	8.8	216.6	10.8	252.8	12.7	302.4	15.5	354.3	18.6	404.0	21.7
	60	178.3	9.0	216.6	11.1	252.8	13.1	302.4	15.9	354.3	19.1	404.0	22.3
	65	178.3	9.3	216.6	11.4	252.8	13.4	302.4	16.4	354.3	19.6	404.0	22.9
	70	178.3	10.1	216.6	12.4	252.8	14.6	302.4	17.8	354.3	21.3	404.0	24.9
	75	178.3	11.0	216.6	13.6	252.8	16.0	302.4	19.5	354.3	23.4	404.0	27.3
	80	178.3	12.1	216.6	14.9	252.8	17.6	302.4	21.5	354.3	25.7	404.0	30.0
	85	178.3	13.3	216.6	16.4	252.8	19.3	302.4	23.5	354.3	28.2	404.0	32.9
	90	178.3	14.6	216.6	17.9	252.8	21.2	302.4	25.8	354.3	30.9	404.0	36.1
	95	178.3	15.9	216.6	19.6	252.8	23.1	302.4	28.2	354.3	33.7	404.0	39.4
100	178.3	17.3	216.6	21.3	252.8	25.1	302.4	30.6	354.3	36.7	404.0	42.8	
105	178.3	18.7	216.6	23.0	252.8	27.1	302.4	33.1	354.3	39.6	392.4	44.9	
110	178.3	20.0	216.6	24.6	252.8	29.0	302.4	35.4	353.4	42.3	360.1	44.1	
115	178.3	21.2	216.6	26.0	252.8	30.7	302.4	37.4	312.9	39.6	318.9	41.3	
118	178.3	21.8	216.6	26.7	252.8	31.6	275.2	35.0	283.3	36.9	288.8	38.5	
125	172.8	22.0	180.4	23.2	186.7	24.3	193.9	25.7	199.6	27.1	203.5	28.3	
80%	-10	158.5	5.7	192.6	7.0	224.7	8.3	268.8	10.1	314.9	12.1	359.1	14.1
	-5	158.5	6.1	192.6	7.5	224.7	8.8	268.8	10.7	314.9	12.9	359.1	15.0
	10	158.5	6.2	192.6	7.6	224.7	9.0	268.8	11.0	314.9	13.1	359.1	15.3
	15	158.5	6.3	192.6	7.8	224.7	9.2	268.8	11.2	314.9	13.4	359.1	15.7
	20	158.5	6.5	192.6	8.0	224.7	9.4	268.8	11.5	314.9	13.7	359.1	16.0
	25	158.5	6.6	192.6	8.1	224.7	9.6	268.8	11.7	314.9	14.0	359.1	16.4
	30	158.5	6.8	192.6	8.3	224.7	9.8	268.8	12.0	314.9	14.4	359.1	16.8
	35	158.5	6.9	192.6	8.5	224.7	10.1	268.8	12.3	314.9	14.7	359.1	17.2
	40	158.5	7.1	192.6	8.7	224.7	10.3	268.8	12.6	314.9	15.1	359.1	17.6
	45	158.5	7.3	192.6	9.0	224.7	10.6	268.8	12.9	314.9	15.4	359.1	18.0
	50	158.5	7.5	192.6	9.2	224.7	10.9	268.8	13.2	314.9	15.8	359.1	18.5
	55	158.5	7.7	192.6	9.4	224.7	11.1	268.8	13.6	314.9	16.3	359.1	19.0
	60	158.5	7.9	192.6	9.7	224.7	11.4	268.8	13.9	314.9	16.7	359.1	19.5
	65	158.5	8.1	192.6	10.0	224.7	11.8	268.8	14.3	314.9	17.2	359.1	20.1
	70	158.5	8.8	192.6	10.8	224.7	12.8	268.8	15.6	314.9	18.7	359.1	21.8
	75	158.5	9.7	192.6	11.9	224.7	14.0	268.8	17.1	314.9	20.5	359.1	23.9
	80	158.5	10.6	192.6	13.1	224.7	15.4	268.8	18.8	314.9	22.5	359.1	26.3
	85	158.5	11.7	192.6	14.3	224.7	16.9	268.8	20.6	314.9	24.7	359.1	28.8
	90	158.5	12.8	192.6	15.7	224.7	18.5	268.8	22.6	314.9	27.1	359.1	31.6
	95	158.5	14.0	192.6	17.1	224.7	20.2	268.8	24.7	314.9	29.6	359.1	34.5
100	158.5	15.2	192.6	18.6	224.7	22.0	268.8	26.8	314.9	32.1	359.1	37.5	
105	158.5	16.4	192.6	20.1	224.7	23.8	268.8	29.0	314.9	34.7	359.1	40.5	
110	158.5	17.5	192.6	21.5	224.7	25.4	268.8	31.0	314.9	37.1	359.1	43.4	
115	158.5	18.5	192.6	22.8	224.7	26.9	268.8	32.8	312.9	39.0	318.9	40.7	
118	158.5	19.1	192.6	23.4	224.7	27.7	268.8	33.7	283.3	36.3	288.8	37.9	
125	158.5	19.9	180.4	22.9	186.7	24.0	193.9	25.4	199.6	26.7	203.5	27.9	

NOTE - Power Input = Compressor + Outdoor Fan Motor.  
 MBH = 1000 BTUs per hour.

# COOLING CAPACITY - TWO MODULE | VRB336H4

Combination (%)	Outdoor Temperature °F (Dry Bulb)	Indoor Temperature - °F (Dry Bulb / Wet Bulb)											
		67 / 57		71 / 60		75 / 63		80 / 67		85 / 71		90 / 75	
		Total Cap.	Power Input	Total Cap.	Power Input	Total Cap.	Power Input	Total Cap.	Power Input	Total Cap.	Power Input	Total Cap.	Power Input
		MBH	KW	MBH	KW	MBH	KW	MBH	KW	MBH	KW	MBH	KW
70%	-10	138.7	4.9	168.5	6.1	196.6	7.1	235.2	8.7	275.6	10.4	314.2	12.2
	-5	138.7	5.2	168.5	6.4	196.6	7.6	235.2	9.3	275.6	11.1	314.2	13.0
	10	138.7	5.3	168.5	6.6	196.6	7.8	235.2	9.5	275.6	11.3	314.2	13.2
	15	138.7	5.5	168.5	6.7	196.6	7.9	235.2	9.7	275.6	11.6	314.2	13.5
	20	138.7	5.6	168.5	6.9	196.6	8.1	235.2	9.9	275.6	11.8	314.2	13.8
	25	138.7	5.7	168.5	7.0	196.6	8.3	235.2	10.1	275.6	12.1	314.2	14.1
	30	138.7	5.8	168.5	7.2	196.6	8.5	235.2	10.3	275.6	12.4	314.2	14.5
	35	138.7	6.0	168.5	7.4	196.6	8.7	235.2	10.6	275.6	12.7	314.2	14.8
	40	138.7	6.1	168.5	7.5	196.6	8.9	235.2	10.8	275.6	13.0	314.2	15.2
	45	138.7	6.3	168.5	7.7	196.6	9.1	235.2	11.1	275.6	13.3	314.2	15.6
	50	138.7	6.4	168.5	7.9	196.6	9.4	235.2	11.4	275.6	13.7	314.2	16.0
	55	138.7	6.6	168.5	8.1	196.6	9.6	235.2	11.7	275.6	14.0	314.2	16.4
	60	138.7	6.8	168.5	8.4	196.6	9.9	235.2	12.0	275.6	14.4	314.2	16.8
	65	138.7	7.0	168.5	8.6	196.6	10.1	235.2	12.4	275.6	14.8	314.2	17.3
	70	138.7	7.6	168.5	9.3	196.6	11.0	235.2	13.5	275.6	16.1	314.2	18.8
	75	138.7	8.3	168.5	10.3	196.6	12.1	235.2	14.8	275.6	17.7	314.2	20.7
	80	138.7	9.2	168.5	11.3	196.6	13.3	235.2	16.2	275.6	19.4	314.2	22.7
	85	138.7	10.1	168.5	12.4	196.6	14.6	235.2	17.8	275.6	21.3	314.2	24.9
	90	138.7	11.0	168.5	13.5	196.6	16.0	235.2	19.5	275.6	23.3	314.2	27.3
	95	138.7	12.0	168.5	14.8	196.6	17.5	235.2	21.3	275.6	25.5	314.2	29.8
100	138.7	13.1	168.5	16.1	196.6	19.0	235.2	23.1	275.6	27.7	314.2	32.4	
105	138.7	14.1	168.5	17.4	196.6	20.5	235.2	25.0	275.6	29.9	314.2	34.9	
110	138.7	15.1	168.5	18.6	196.6	21.9	235.2	26.7	275.6	32.0	314.2	37.4	
115	138.7	16.0	168.5	19.7	196.6	23.2	235.2	28.3	275.6	33.9	314.2	39.6	
118	138.7	16.4	168.5	20.2	196.6	23.9	235.2	29.1	275.6	34.8	288.8	37.4	
125	138.7	17.1	168.5	21.1	186.7	23.6	193.9	25.0	199.6	26.3	203.5	27.5	
60%	-10	118.9	4.2	144.4	5.1	168.5	6.0	201.6	7.4	236.2	8.8	269.3	10.3
	-5	118.9	4.4	144.4	5.4	168.5	6.4	201.6	7.8	236.2	9.4	269.3	10.9
	10	118.9	4.5	144.4	5.6	168.5	6.6	201.6	8.0	236.2	9.6	269.3	11.2
	15	118.9	4.6	144.4	5.7	168.5	6.7	201.6	8.2	236.2	9.8	269.3	11.4
	20	118.9	4.7	144.4	5.8	168.5	6.8	201.6	8.3	236.2	10.0	269.3	11.7
	25	118.9	4.8	144.4	5.9	168.5	7.0	201.6	8.5	236.2	10.2	269.3	11.9
	30	118.9	4.9	144.4	6.1	168.5	7.2	201.6	8.7	236.2	10.5	269.3	12.2
	35	118.9	5.1	144.4	6.2	168.5	7.3	201.6	8.9	236.2	10.7	269.3	12.5
	40	118.9	5.2	144.4	6.4	168.5	7.5	201.6	9.2	236.2	11.0	269.3	12.8
	45	118.9	5.3	144.4	6.5	168.5	7.7	201.6	9.4	236.2	11.3	269.3	13.1
	50	118.9	5.4	144.4	6.7	168.5	7.9	201.6	9.6	236.2	11.5	269.3	13.5
	55	118.9	5.6	144.4	6.9	168.5	8.1	201.6	9.9	236.2	11.9	269.3	13.8
	60	118.9	5.7	144.4	7.1	168.5	8.3	201.6	10.2	236.2	12.2	269.3	14.2
	65	118.9	5.9	144.4	7.3	168.5	8.6	201.6	10.4	236.2	12.5	269.3	14.6
	70	118.9	6.4	144.4	7.9	168.5	9.3	201.6	11.4	236.2	13.6	269.3	15.9
	75	118.9	7.1	144.4	8.7	168.5	10.2	201.6	12.5	236.2	14.9	269.3	17.4
	80	118.9	7.7	144.4	9.5	168.5	11.2	201.6	13.7	236.2	16.4	269.3	19.2
	85	118.9	8.5	144.4	10.4	168.5	12.3	201.6	15.0	236.2	18.0	269.3	21.0
	90	118.9	9.3	144.4	11.4	168.5	13.5	201.6	16.5	236.2	19.7	269.3	23.0
	95	118.9	10.2	144.4	12.5	168.5	14.8	201.6	18.0	236.2	21.5	269.3	25.2
100	118.9	11.1	144.4	13.6	168.5	16.0	201.6	19.6	236.2	23.4	269.3	27.3	
105	118.9	11.9	144.4	14.7	168.5	17.3	201.6	21.1	236.2	25.3	269.3	29.5	
110	118.9	12.8	144.4	15.7	168.5	18.5	201.6	22.6	236.2	27.1	269.3	31.6	
115	118.9	13.5	144.4	16.6	168.5	19.6	201.6	23.9	236.2	28.6	269.3	33.4	
118	118.9	13.9	144.4	17.1	168.5	20.2	201.6	24.6	236.2	29.4	269.3	34.4	
125	118.9	14.5	144.4	17.8	168.5	21.0	193.9	24.7	199.6	26.0	203.5	27.1	

NOTE - Power Input = Compressor + Outdoor Fan Motor.  
 MBH = 1000 BTUs per hour.

## COOLING CAPACITY - TWO MODULE | VRB336H4

Combination (%)	Outdoor Temperature °F (Dry Bulb)	Indoor Temperature - °F (Dry Bulb / Wet Bulb)											
		67 / 57		71 / 60		75 / 63		80 / 67		85 / 71		90 / 75	
		Total Cap.	Power Input	Total Cap.	Power Input	Total Cap.	Power Input	Total Cap.	Power Input	Total Cap.	Power Input	Total Cap.	Power Input
		MBH	kW	MBH	kW	MBH	kW	MBH	kW	MBH	kW	MBH	kW
50%	-10	95.5	3.3	120.4	4.2	140.4	5.0	168.0	6.1	196.8	7.2	224.4	8.5
	-5	99.0	3.6	120.4	4.5	140.4	5.3	168.0	6.4	196.8	7.7	224.4	9.0
	10	99.0	3.7	120.4	4.6	140.4	5.4	168.0	6.6	196.8	7.9	224.4	9.2
	15	99.0	3.8	120.4	4.7	140.4	5.5	168.0	6.7	196.8	8.0	224.4	9.4
	20	99.0	3.9	120.4	4.8	140.4	5.6	168.0	6.9	196.8	8.2	224.4	9.6
	25	99.0	4.0	120.4	4.9	140.4	5.8	168.0	7.0	196.8	8.4	224.4	9.8
	30	99.0	4.1	120.4	5.0	140.4	5.9	168.0	7.2	196.8	8.6	224.4	10.0
	35	99.0	4.2	120.4	5.1	140.4	6.0	168.0	7.4	196.8	8.8	224.4	10.3
	40	99.0	4.3	120.4	5.2	140.4	6.2	168.0	7.5	196.8	9.0	224.4	10.5
	45	99.0	4.4	120.4	5.4	140.4	6.3	168.0	7.7	196.8	9.3	224.4	10.8
	50	99.0	4.5	120.4	5.5	140.4	6.5	168.0	7.9	196.8	9.5	224.4	11.1
	55	99.0	4.6	120.4	5.6	140.4	6.7	168.0	8.1	196.8	9.7	224.4	11.4
	60	99.0	4.7	120.4	5.8	140.4	6.9	168.0	8.4	196.8	10.0	224.4	11.7
	65	99.0	4.9	120.4	6.0	140.4	7.0	168.0	8.6	196.8	10.3	224.4	12.0
	70	99.0	5.3	120.4	6.5	140.4	7.7	168.0	9.3	196.8	11.2	224.4	13.1
	75	99.0	5.8	120.4	7.1	140.4	8.4	168.0	10.3	196.8	12.3	224.4	14.3
	80	99.0	6.4	120.4	7.8	140.4	9.2	168.0	11.3	196.8	13.5	224.4	15.7
	85	99.0	7.0	120.4	8.6	140.4	10.1	168.0	12.4	196.8	14.8	224.4	17.3
90	99.0	7.6	120.4	9.4	140.4	11.1	168.0	13.5	196.8	16.2	224.4	18.9	
95	99.0	8.4	120.4	10.3	140.4	12.1	168.0	14.8	196.8	17.7	224.4	20.7	
100	99.0	9.1	120.4	11.2	140.4	13.2	168.0	16.1	196.8	19.2	224.4	22.5	
105	99.0	9.8	120.4	12.1	140.4	14.2	168.0	17.3	196.8	20.8	224.4	24.3	
110	99.0	10.5	120.4	12.9	140.4	15.2	168.0	18.6	196.8	22.2	224.4	26.0	
115	99.0	11.1	120.4	13.6	140.4	16.1	168.0	19.6	196.8	23.5	224.4	27.5	
118	99.0	11.4	120.4	14.0	140.4	16.6	168.0	20.2	196.8	24.2	224.4	28.2	
125	99.0	11.9	120.4	14.6	140.4	17.3	168.0	21.1	196.8	25.2	203.5	26.7	

NOTE - Power Input = Compressor + Outdoor Fan Motor.  
 MBH = 1000 BTUs per hour.

# HEATING CAPACITY - TWO MODULE | VRB336H4

Combination (%)	Outdoor Temperature (°F)		Indoor Temperature - °F Dry Bulb											
			61		64		67		70		73		75	
			Total Cap.	Power Input	Total Cap.	Power Input	Total Cap.	Power Input	Total Cap.	Power Input	Total Cap.	Power Input	Total Cap.	Power Input
	Dry Bulb	Wet Bulb	MBH	kW	MBH	kW	MBH	kW	MBH	kW	MBH	kW	MBH	kW
130%	-13	-14	205.5	25.3	205.0	26.0	204.5	26.7	204.0	27.5	203.5	28.3	203.1	28.8
	-8	-9	214.0	26.4	213.5	27.1	212.9	27.8	212.4	28.6	211.9	29.5	211.5	30.0
	-3	-4	227.1	27.8	226.5	28.6	226.0	29.3	225.4	30.1	224.8	31.0	224.5	31.7
	2	1	243.6	29.5	243.0	30.2	242.4	31.0	241.8	31.9	241.2	32.8	240.8	33.5
	7	6	262.4	31.2	261.7	32.0	261.1	32.8	260.4	33.7	259.8	34.7	259.3	35.3
	12	10	282.4	32.7	281.7	33.6	281.0	34.4	280.3	35.3	279.6	36.3	279.1	37.0
	17	15	302.7	34.1	302.0	34.9	301.2	35.8	300.5	36.7	299.7	37.7	299.2	38.4
	22	20	322.7	35.2	321.9	36.0	321.1	36.8	320.3	37.7	319.4	38.7	318.9	39.4
	27	24	341.6	35.8	340.7	36.6	339.9	37.4	339.0	38.3	338.1	39.3	337.6	39.9
	32	29	358.9	36.1	358.0	36.9	357.1	37.7	356.2	38.5	355.4	39.1	354.7	38.4
	37	34	374.3	36.0	373.3	36.7	372.4	37.5	371.6	37.5	370.9	36.6	370.1	36.1
	42	38	387.4	35.5	386.7	36.3	385.9	35.8	385.2	35.1	384.4	34.5	383.7	34.0
	47	43	411.1	35.5	410.4	35.0	409.6	34.5	408.9	34.0	408.1	33.5	407.4	33.1
	52	47	452.4	35.6	451.6	35.2	450.9	34.8	450.1	34.4	449.4	34.0	437.9	32.9
	57	52	492.3	35.6	491.6	35.2	490.8	34.9	488.8	34.5	457.9	32.1	437.9	30.5
	62	56	530.8	35.4	530.0	35.2	519.7	34.3	488.8	32.1	457.9	29.9	437.9	28.5
	67	61	567.7	35.2	548.8	33.9	519.7	32.0	488.8	30.0	457.9	28.0	437.9	26.7
	72	66	579.7	33.6	548.8	31.8	519.7	30.0	488.8	28.2	457.9	26.4	437.9	25.2
	75	69	579.7	32.3	548.8	30.6	519.7	28.9	488.8	27.2	457.9	25.4	437.9	24.3
	80	74	579.7	30.4	548.8	28.8	519.7	27.3	488.8	25.7	457.9	24.1	437.9	23.0
120%	-13	-14	204.7	24.8	204.2	25.5	203.7	26.2	203.2	26.9	202.7	27.7	202.3	28.3
	-8	-9	213.2	25.9	212.6	26.6	212.1	27.3	211.6	28.0	211.0	28.9	210.7	29.5
	-3	-4	226.2	27.3	225.6	28.0	225.1	28.7	224.5	29.6	223.9	30.4	223.6	31.0
	2	1	242.7	28.9	242.0	29.7	241.5	30.4	240.8	31.3	240.2	32.2	239.8	32.8
	7	6	261.4	30.6	260.7	31.4	260.1	32.1	259.4	33.0	258.7	34.0	258.3	34.6
	12	10	281.3	32.1	280.6	32.9	279.9	33.7	279.2	34.7	278.4	35.6	278.0	36.3
	17	15	301.5	33.4	300.8	34.3	300.1	35.1	299.3	36.0	298.5	37.0	298.0	37.6
	22	20	321.4	34.5	320.6	35.3	319.8	36.1	319.0	37.0	318.2	38.0	317.6	38.6
	27	24	340.2	35.1	339.3	35.9	338.5	36.7	337.7	37.6	336.8	38.5	336.2	39.1
	32	29	357.5	35.4	356.5	36.2	355.7	36.9	354.8	37.8	354.0	38.4	353.3	37.7
	37	34	372.8	35.3	371.8	36.0	370.9	36.7	370.2	36.8	369.4	35.9	368.7	35.4
	42	38	385.9	34.9	385.1	35.6	384.4	35.1	383.6	34.4	382.9	33.8	382.1	33.4
	47	43	411.1	35.0	410.4	34.4	409.6	33.9	408.9	33.4	408.1	33.0	404.2	32.4
	52	47	452.4	35.0	451.6	34.6	450.9	34.2	450.1	33.8	422.7	31.5	404.2	29.9
	57	52	492.3	35.0	491.6	34.7	479.7	33.6	451.2	31.4	422.7	29.2	404.2	27.8
	62	56	530.8	34.9	506.6	33.1	479.7	31.2	451.2	29.2	422.7	27.2	404.2	25.9
	67	61	535.1	32.7	506.6	30.8	479.7	29.1	451.2	27.3	422.7	25.5	404.2	24.3
	72	66	535.1	30.5	506.6	28.9	479.7	27.3	451.2	25.6	422.7	24.0	404.2	22.9
	75	69	535.1	29.4	506.6	27.8	479.7	26.3	451.2	24.7	422.7	23.1	404.2	22.1
	80	74	535.1	27.6	506.6	26.2	479.7	24.8	451.2	23.3	422.7	21.9	404.2	20.9
110%	-13	-14	203.9	24.4	203.4	25.0	202.9	25.7	202.4	26.4	201.9	27.2	201.5	27.7
	-8	-9	212.3	25.4	211.8	26.0	211.3	26.7	210.7	27.5	210.2	28.3	209.8	28.9
	-3	-4	225.3	26.7	224.7	27.5	224.2	28.2	223.6	29.0	223.1	29.9	222.7	30.4
	2	1	241.7	28.3	241.1	29.1	240.5	29.8	239.9	30.7	239.3	31.6	238.9	32.2
	7	6	260.3	30.0	259.7	30.8	259.0	31.5	258.4	32.4	257.7	33.3	257.3	34.0
	12	10	280.2	31.5	279.4	32.3	278.8	33.1	278.1	34.0	277.3	34.9	276.9	35.6
	17	15	300.4	32.8	299.6	33.6	298.9	34.4	298.1	35.3	297.3	36.3	296.8	36.9
	22	20	320.1	33.8	319.3	34.6	318.5	35.4	317.7	36.3	316.9	37.2	316.4	37.9
	27	24	338.9	34.5	338.0	35.2	337.2	36.0	336.3	36.9	335.4	37.8	335.4	38.5
	32	29	356.0	34.7	355.1	35.5	354.3	36.2	353.4	37.0	352.6	37.6	351.9	36.9
	37	34	371.3	34.6	370.3	35.3	369.5	36.0	368.7	36.1	368.0	35.2	367.2	34.7
	42	38	384.4	34.2	383.6	34.9	382.9	34.4	382.1	33.8	381.4	33.1	370.5	31.9
	47	43	411.1	34.4	410.4	33.9	409.6	33.4	408.9	32.9	387.5	30.8	370.5	29.2
	52	47	452.4	34.5	451.6	34.1	439.7	32.9	413.6	30.6	387.5	28.4	370.5	27.0
	57	52	490.5	34.4	464.3	32.3	439.7	30.3	413.6	28.3	387.5	26.3	370.5	25.1
	62	56	490.5	31.7	464.3	29.9	439.7	28.2	413.6	26.3	387.5	24.6	370.5	23.4
	67	61	490.5	29.5	464.3	27.8	439.7	26.3	413.6	24.6	387.5	23.0	370.5	21.9
	72	66	490.5	27.6	464.3	26.1	439.7	24.6	413.6	23.1	387.5	21.6	370.5	20.7
	75	69	490.5	26.5	464.3	25.1	439.7	23.7	413.6	22.3	387.5	20.9	370.5	20.0
	80	74	490.5	24.9	464.3	23.6	439.7	22.4	413.6	21.1	387.5	19.7	370.5	18.9

NOTE - Power Input = Compressor + Outdoor Fan Motor.  
MBH = 1000 BTUs per hour.

# HEATING CAPACITY - TWO MODULE | VRB336H4

Combination (%)	Outdoor Temperature (°F)		Indoor Temperature - °F Dry Bulb											
			61		64		67		70		73		75	
	Dry Bulb	Wet Bulb	Total Cap. MBH	Power Input kW	Total Cap. MBH	Power Input kW	Total Cap. MBH	Power Input kW	Total Cap. MBH	Power Input kW	Total Cap. MBH	Power Input kW	Total Cap. MBH	Power Input kW
100%	-13	-14	203.1	23.9	202.6	24.5	202.1	25.2	201.6	25.9	201.1	26.7	200.7	27.2
	-8	-9	211.5	24.9	210.9	25.6	210.4	26.2	209.9	27.0	209.3	27.8	209.0	28.3
	-3	-4	224.4	26.2	223.9	26.9	223.3	27.7	222.7	28.4	222.2	29.3	221.8	29.9
	2	1	240.7	27.8	240.1	28.5	239.6	29.3	238.9	30.1	238.3	31.0	237.9	31.6
	7	6	259.3	29.4	258.6	30.2	258.0	30.9	257.3	31.8	256.7	32.7	256.2	33.3
	12	10	279.0	30.9	278.3	31.7	277.7	32.5	277.0	33.3	276.2	34.3	275.8	34.9
	17	15	299.2	32.2	298.4	33.0	297.7	33.8	296.9	34.6	296.1	35.6	295.6	36.2
	22	20	318.9	33.2	318.0	34.0	317.3	34.7	316.5	35.6	315.6	36.5	315.1	37.1
	27	24	337.5	33.8	336.6	34.6	335.8	35.3	335.0	36.2	334.1	37.1	333.6	37.7
	32	29	354.6	34.1	353.7	34.8	352.9	35.5	352.0	36.3	351.1	36.9	336.9	34.8
	37	34	369.8	34.0	368.9	34.7	368.0	35.4	367.0	35.4	352.2	33.2	336.9	31.4
	42	38	382.8	33.5	381.9	34.2	380.9	33.7	376.0	32.7	352.2	30.1	336.9	28.5
	47	43	393.5	32.5	392.5	32.0	391.6	31.5	376.0	29.8	352.2	27.6	336.9	26.2
	52	47	401.9	30.2	400.9	29.8	399.8	29.4	376.0	27.4	352.2	25.4	336.9	24.2
	57	52	408.1	28.2	407.1	27.9	399.8	27.2	376.0	25.4	352.2	23.6	336.9	22.4
	62	56	412.4	26.3	411.3	26.1	399.8	25.2	376.0	23.6	352.2	22.0	336.9	21.0
	67	61	415.0	24.6	414.0	24.4	399.8	23.5	376.0	22.1	352.2	20.6	336.9	19.6
	72	66	416.6	23.1	415.5	23.0	399.8	22.1	376.0	20.7	352.2	19.4	336.9	18.5
75	69	417.2	22.2	416.2	22.1	399.8	21.3	376.0	20.0	352.2	18.7	336.9	17.9	
80	74	418.4	21.0	417.3	20.9	399.8	20.0	376.0	18.9	352.2	17.7	336.9	16.9	
90%	-13	-14	202.3	23.4	201.8	24.1	201.3	24.7	200.8	25.4	200.2	26.2	199.9	26.7
	-8	-9	210.6	24.4	210.1	25.1	209.6	25.7	209.0	26.5	208.5	27.3	208.2	27.8
	-3	-4	223.5	25.7	223.0	26.4	222.4	27.1	221.8	27.9	221.3	28.7	220.9	29.3
	2	1	239.8	27.3	239.2	28.0	238.6	28.7	238.0	29.5	237.4	30.4	237.0	31.0
	7	6	258.2	28.9	257.6	29.6	257.0	30.4	256.3	31.2	255.6	32.1	255.2	32.7
	12	10	277.9	30.3	277.2	31.1	276.6	31.9	275.8	32.7	275.1	33.6	274.7	34.3
	17	15	298.0	31.6	297.2	32.4	296.5	33.1	295.7	34.0	295.0	34.9	294.5	35.5
	22	20	317.6	32.6	316.8	33.3	316.0	34.1	315.2	34.9	314.3	35.7	299.7	34.8
	27	24	336.2	33.2	335.3	33.9	334.5	34.7	333.6	35.5	311.4	34.0	300.2	33.4
	32	29	353.2	33.4	352.3	34.2	351.5	34.9	329.3	33.5	315.9	32.7	303.2	30.9
	37	34	368.3	33.3	367.4	34.0	345.6	32.7	330.3	31.3	317.0	29.5	303.2	27.8
	42	38	381.3	32.9	358.5	31.6	342.8	29.9	338.4	29.0	317.0	26.7	303.2	25.3
	47	43	370.9	30.1	353.3	28.3	352.4	27.9	338.4	26.5	317.0	24.5	303.2	23.2
	52	47	361.7	26.8	360.8	26.4	359.8	26.1	338.4	24.3	317.0	22.5	303.2	21.4
	57	52	367.3	25.0	366.4	24.7	359.8	24.1	338.4	22.5	317.0	20.9	303.2	19.9
	62	56	371.1	23.3	370.2	23.1	359.8	22.4	338.4	20.9	317.0	19.5	303.2	18.6
	67	61	373.5	21.8	372.6	21.7	359.8	20.9	338.4	19.6	317.0	18.3	303.2	17.4
	72	66	374.9	20.5	374.0	20.4	359.8	19.6	338.4	18.4	317.0	17.2	303.2	16.4
75	69	375.5	19.7	374.6	19.6	359.8	18.8	338.4	17.7	317.0	16.6	303.2	15.8	
80	74	376.5	18.6	375.6	18.5	359.8	17.8	338.4	16.7	317.0	15.7	303.2	15.0	
80%	-13	-14	201.5	23.0	201.0	23.6	200.5	24.3	200.0	25.0	199.4	25.7	199.1	26.2
	-8	-9	209.8	24.0	209.2	24.6	208.7	25.3	208.2	26.0	207.7	26.8	207.3	27.3
	-3	-4	222.6	25.3	222.1	26.0	221.5	26.6	221.0	27.4	220.4	28.2	220.0	28.8
	2	1	238.8	26.8	238.2	27.5	237.6	28.2	237.0	29.0	236.4	29.8	236.0	30.4
	7	6	257.2	28.3	256.6	29.1	255.9	29.8	255.3	30.6	254.6	31.5	254.2	32.1
	12	10	276.8	29.8	276.1	30.5	275.4	31.3	274.7	32.1	274.0	33.0	268.5	33.0
	17	15	296.8	31.0	296.0	31.8	295.3	32.5	294.5	33.4	281.2	32.8	269.5	32.0
	22	20	316.3	31.9	315.5	32.7	314.7	33.5	299.1	32.7	280.5	31.5	269.5	30.8
	27	24	334.8	32.6	334.0	33.3	316.1	32.3	296.3	31.1	276.7	29.8	269.5	29.5
	32	29	351.2	32.8	330.3	31.6	310.7	30.4	290.0	29.1	280.8	28.7	269.5	27.0
	37	34	343.8	30.7	322.1	29.4	301.7	28.1	293.6	27.5	281.8	25.8	269.5	24.4
	42	38	332.7	28.3	310.3	27.0	304.7	26.2	300.8	25.4	281.8	23.4	269.5	22.2
	47	43	318.1	25.5	314.0	24.8	313.3	24.5	300.8	23.2	281.8	21.4	269.5	20.3
	52	47	321.5	23.5	320.7	23.2	319.8	22.9	300.8	21.3	281.8	19.7	269.5	18.8
	57	52	326.5	21.9	325.7	21.6	319.8	21.1	300.8	19.7	281.8	18.3	269.5	17.4
	62	56	329.9	20.4	329.0	20.3	319.8	19.6	300.8	18.3	281.8	17.1	269.5	16.3
	67	61	332.0	19.1	331.2	19.0	319.8	18.3	300.8	17.1	281.8	16.0	269.5	15.3
	72	66	333.3	17.9	332.4	17.8	319.8	17.1	300.8	16.1	281.8	15.0	269.5	14.4
75	69	333.8	17.3	332.9	17.2	319.8	16.5	300.8	15.5	281.8	14.5	269.5	13.9	
80	74	334.7	16.3	333.8	16.2	319.8	15.6	300.8	14.6	281.8	13.7	269.5	13.1	

NOTE - Power Input = Compressor + Outdoor Fan Motor.  
MBH = 1000 BTUs per hour.

# HEATING CAPACITY - TWO MODULE | VRB336H4

Combination (%)	Outdoor Temperature (°F)		Indoor Temperature - °F Dry Bulb											
			61		64		67		70		73		75	
	Dry Bulb	Wet Bulb	Total Cap. MBH	Power Input kW	Total Cap. MBH	Power Input kW	Total Cap. MBH	Power Input kW	Total Cap. MBH	Power Input kW	Total Cap. MBH	Power Input kW	Total Cap. MBH	Power Input kW
70%	-13	-14	200.7	22.6	200.1	23.2	199.7	23.8	199.2	24.5	198.6	25.2	198.3	25.7
	-8	-9	208.9	23.5	208.4	24.2	207.9	24.8	207.4	25.5	206.8	26.3	206.5	26.8
	-3	-4	221.7	24.8	221.2	25.5	220.6	26.1	220.1	26.9	219.5	27.7	219.1	28.2
	2	1	237.9	26.3	237.2	27.0	236.7	27.7	236.1	28.5	235.5	29.3	235.1	29.9
	7	6	256.2	27.8	255.5	28.5	254.9	29.2	254.2	30.1	246.6	30.1	235.8	29.3
	12	10	275.7	29.2	275.0	30.0	274.3	30.7	263.2	30.3	246.6	29.3	235.8	28.6
	17	15	295.6	30.4	294.8	31.2	279.8	30.4	263.2	29.4	246.6	28.3	235.8	27.6
	22	20	311.7	31.0	295.3	30.2	279.8	29.3	263.2	28.3	246.6	27.3	235.8	26.6
	27	24	309.5	29.7	292.2	28.7	279.8	28.2	263.2	27.2	246.6	26.2	235.8	25.5
	32	29	303.7	27.9	285.6	26.9	279.8	27.0	263.2	26.0	246.6	24.8	235.8	23.3
	37	34	294.2	25.9	275.5	24.8	279.8	25.7	263.2	24.3	246.6	22.3	235.8	21.0
	42	38	281.4	23.6	267.3	22.9	279.8	23.7	263.2	21.9	246.6	20.2	235.8	19.1
	47	43	275.5	21.8	274.8	21.4	279.8	21.5	263.2	20.0	246.6	18.5	235.8	17.5
	52	47	281.4	20.2	280.6	20.0	279.8	19.7	263.2	18.4	246.6	17.0	235.8	16.2
	57	52	285.7	18.9	285.0	18.7	279.8	18.2	263.2	17.0	246.6	15.8	235.8	15.0
	62	56	288.7	17.6	287.9	17.5	279.8	16.9	263.2	15.8	246.6	14.7	235.8	14.0
	67	61	290.5	16.5	289.8	16.4	279.8	15.8	263.2	14.8	246.6	13.8	235.8	13.2
	72	66	291.6	15.5	290.9	15.4	279.8	14.8	263.2	13.9	246.6	13.0	235.8	12.4
	75	69	292.1	14.9	291.3	14.8	279.8	14.2	263.2	13.4	246.6	12.5	235.8	12.0
	80	74	292.9	14.0	292.1	14.0	279.8	13.4	263.2	12.6	246.6	11.8	235.8	11.3
60%	-13	-14	199.8	22.2	199.3	22.8	198.9	23.4	198.3	24.1	197.8	24.8	197.5	25.3
	-8	-9	208.1	23.1	207.6	23.7	207.1	24.3	206.5	25.1	206.0	25.8	202.1	25.9
	-3	-4	220.8	24.4	220.3	25.0	219.7	25.7	219.2	26.4	211.3	26.3	202.1	25.7
	2	1	236.9	25.8	236.3	26.5	235.7	27.2	225.6	26.8	211.3	25.9	202.1	25.3
	7	6	255.1	27.3	253.3	27.9	239.9	27.1	225.6	26.3	211.3	25.4	202.1	24.8
	12	10	267.5	28.0	253.3	27.2	239.9	26.5	225.6	25.6	211.3	24.7	202.1	24.1
	17	15	267.5	27.2	253.3	26.4	239.9	25.7	225.6	24.8	211.3	24.0	202.1	23.4
	22	20	267.5	26.3	253.3	25.5	239.9	24.8	225.6	23.9	211.3	23.1	202.1	22.5
	27	24	267.5	25.3	253.3	24.5	239.9	23.8	225.6	23.0	211.3	22.1	202.1	21.5
	32	29	267.5	24.3	253.3	23.5	239.9	22.8	225.6	22.0	211.3	21.0	202.1	19.7
	37	34	267.5	23.2	253.3	22.5	239.9	21.7	225.6	20.5	211.3	18.8	202.1	17.8
	42	38	267.5	22.1	253.3	21.4	239.9	20.0	225.6	18.5	211.3	17.1	202.1	16.1
	47	43	267.5	20.8	253.3	19.5	239.9	18.2	225.6	16.9	211.3	15.6	202.1	14.8
	52	47	267.5	19.0	253.3	17.8	239.9	16.7	225.6	15.5	211.3	14.4	202.1	13.7
	57	52	267.5	17.4	253.3	16.4	239.9	15.4	225.6	14.4	211.3	13.3	202.1	12.7
	62	56	267.5	16.1	253.3	15.2	239.9	14.3	225.6	13.4	211.3	12.4	202.1	11.9
	67	61	267.5	15.0	253.3	14.1	239.9	13.3	225.6	12.5	211.3	11.7	202.1	11.1
	72	66	267.5	14.0	253.3	13.2	239.9	12.5	225.6	11.7	211.3	11.0	202.1	10.5
	75	69	267.5	13.4	253.3	12.7	239.9	12.0	225.6	11.3	211.3	10.6	202.1	10.1
	80	74	267.5	12.6	253.3	12.0	239.9	11.3	225.6	10.7	211.3	10.0	202.1	9.6
50%	-13	-14	199.0	21.8	198.5	22.4	198.0	23.0	188.0	22.5	176.1	21.8	168.4	21.3
	-8	-9	207.2	22.7	206.7	23.3	199.9	23.2	188.0	22.5	176.1	21.8	168.4	21.3
	-3	-4	219.9	23.9	211.1	23.6	199.9	23.0	188.0	22.3	176.1	21.6	168.4	21.1
	2	1	222.9	24.0	211.1	23.3	199.9	22.7	188.0	22.0	176.1	21.3	168.4	20.8
	7	6	222.9	23.5	211.1	22.9	199.9	22.3	188.0	21.6	176.1	20.9	168.4	20.4
	12	10	222.9	23.0	211.1	22.4	199.9	21.7	188.0	21.1	176.1	20.3	168.4	19.8
	17	15	222.9	22.3	211.1	21.7	199.9	21.1	188.0	20.4	176.1	19.7	168.4	19.2
	22	20	222.9	21.6	211.1	21.0	199.9	20.4	188.0	19.7	176.1	19.0	168.4	18.5
	27	24	222.9	20.8	211.1	20.2	199.9	19.6	188.0	18.9	176.1	18.2	168.4	17.7
	32	29	222.9	19.9	211.1	19.3	199.9	18.7	188.0	18.1	176.1	17.2	168.4	16.2
	37	34	222.9	19.1	211.1	18.5	199.9	17.9	188.0	16.8	176.1	15.5	168.4	14.6
	42	38	222.9	18.2	211.1	17.6	199.9	16.5	188.0	15.2	176.1	14.0	168.4	13.3
	47	43	222.9	17.1	211.1	16.0	199.9	14.9	188.0	13.9	176.1	12.8	168.4	12.2
	52	47	222.9	15.6	211.1	14.6	199.9	13.7	188.0	12.8	176.1	11.8	168.4	11.2
	57	52	222.9	14.3	211.1	13.4	199.9	12.6	188.0	11.8	176.1	11.0	168.4	10.4
	62	56	222.9	13.2	211.1	12.4	199.9	11.7	188.0	11.0	176.1	10.2	168.4	9.7
	67	61	222.9	12.3	211.1	11.6	199.9	10.9	188.0	10.3	176.1	9.6	168.4	9.1
	72	66	222.9	11.5	211.1	10.9	199.9	10.3	188.0	9.6	176.1	9.0	168.4	8.6
	75	69	222.9	11.0	211.1	10.4	199.9	9.9	188.0	9.3	176.1	8.7	168.4	8.3
	80	74	222.9	10.4	211.1	9.8	199.9	9.3	188.0	8.8	176.1	8.2	168.4	7.9

NOTE - Power Input = Compressor + Outdoor Fan Motor.  
 MBH = 1000 BTUs per hour.



# COOLING CAPACITY - TWO MODULE | VRB360H4

Combination (%)	Outdoor Temperature °F (Dry Bulb)	Indoor Temperature - °F (Dry Bulb / Wet Bulb)											
		67 / 57		71 / 60		75 / 63		80 / 67		85 / 71		90 / 75	
		Total Cap.	Power Input	Total Cap.	Power Input	Total Cap.	Power Input	Total Cap.	Power Input	Total Cap.	Power Input	Total Cap.	Power Input
		MBH	kW	MBH	kW	MBH	kW	MBH	kW	MBH	kW	MBH	kW
130%	-10	275.9	11.1	335.3	13.6	391.2	16.1	468.0	19.6	548.3	23.5	613.2	26.9
	-5	275.9	11.8	335.3	14.5	391.2	17.1	468.0	20.9	548.3	25.0	583.2	27.2
	10	275.9	12.1	335.3	14.8	391.2	17.5	468.0	21.3	548.3	25.5	572.5	27.3
	15	275.9	12.3	335.3	15.1	391.2	17.9	468.0	21.8	544.2	25.9	560.7	27.3
	20	275.9	12.6	335.3	15.5	391.2	18.3	468.0	22.3	537.5	26.1	548.8	27.3
	25	275.9	12.9	335.3	15.8	391.2	18.7	468.0	22.8	530.6	26.4	536.5	27.3
	30	275.9	13.2	335.3	16.2	391.2	19.1	468.0	23.3	517.6	26.3	524.8	27.4
	35	275.9	13.5	335.3	16.6	391.2	19.6	468.0	23.9	506.6	26.4	513.8	27.4
	40	275.9	13.8	335.3	17.0	391.2	20.1	468.0	24.4	500.0	26.7	507.2	27.7
	45	275.9	14.2	335.3	17.4	391.2	20.6	468.0	25.1	498.0	27.2	505.2	28.3
	50	275.9	14.5	335.3	17.9	391.2	21.1	468.0	25.7	496.7	27.9	503.9	29.0
	55	275.9	14.9	335.3	18.3	391.2	21.6	468.0	26.4	496.0	28.6	503.2	29.7
	60	275.9	15.3	335.3	18.8	391.2	22.2	468.0	27.1	497.7	29.4	502.9	30.5
	65	275.9	15.8	335.3	19.4	391.2	22.9	468.0	27.9	493.0	30.0	502.5	31.3
	70	275.9	17.1	335.3	21.1	391.2	24.9	468.0	30.3	492.1	32.6	501.5	34.0
	75	275.9	18.8	335.3	23.1	391.2	27.3	463.3	32.9	490.0	35.6	499.4	37.1
	80	275.9	20.6	335.3	25.4	391.2	30.0	460.8	36.0	486.2	38.8	495.5	40.5
	85	275.9	22.7	335.3	27.8	391.2	32.9	457.1	39.1	479.8	42.0	489.0	43.8
	90	275.9	24.8	335.3	30.5	391.2	36.0	451.6	42.3	469.8	45.0	478.9	47.0
	95	275.9	27.1	335.3	33.3	391.2	39.3	423.5	43.4	430.7	45.1	437.9	46.9
100	275.9	29.5	335.3	36.2	381.1	41.7	403.6	44.9	410.8	46.7	418.7	48.8	
105	275.9	31.8	335.3	39.1	366.2	43.2	374.4	45.0	385.5	47.4	392.9	49.4	
110	275.9	34.1	317.1	39.6	329.7	41.6	342.4	44.0	352.6	46.3	359.3	48.4	
115	264.2	34.5	280.7	37.0	290.5	38.8	301.6	41.0	310.6	43.2	316.6	45.1	
118	242.5	32.5	253.1	34.3	261.9	36.0	272.0	38.0	280.1	40.0	285.4	41.8	
125	167.7	23.5	175.1	24.8	181.2	25.9	188.2	27.4	193.8	28.9	197.5	30.2	
120%	-10	254.7	10.1	309.5	12.4	361.1	14.6	432.0	17.8	506.1	21.4	577.1	25.0
	-5	254.7	10.7	309.5	13.2	361.1	15.6	432.0	19.0	506.1	22.7	568.8	26.1
	10	254.7	11.0	309.5	13.5	361.1	15.9	432.0	19.4	506.1	23.2	562.7	26.4
	15	254.7	11.2	309.5	13.8	361.1	16.2	432.0	19.8	506.1	23.7	551.0	26.4
	20	254.7	11.4	309.5	14.1	361.1	16.6	432.0	20.2	506.1	24.2	539.2	26.4
	25	254.7	11.7	309.5	14.4	361.1	17.0	432.0	20.7	506.1	24.8	527.0	26.4
	30	254.7	12.0	309.5	14.7	361.1	17.4	432.0	21.2	499.4	25.0	515.3	26.4
	35	254.7	12.3	309.5	15.1	361.1	17.8	432.0	21.7	493.1	25.3	504.4	26.5
	40	254.7	12.6	309.5	15.4	361.1	18.2	432.0	22.2	489.0	25.7	497.6	26.8
	45	254.7	12.9	309.5	15.8	361.1	18.7	432.0	22.8	487.4	26.3	495.6	27.3
	50	254.7	13.2	309.5	16.2	361.1	19.2	432.0	23.4	486.2	26.9	494.4	28.0
	55	254.7	13.6	309.5	16.7	361.1	19.7	432.0	24.0	485.2	27.5	493.7	28.7
	60	254.7	13.9	309.5	17.1	361.1	20.2	432.0	24.6	485.4	28.3	493.4	29.4
	65	254.7	14.3	309.5	17.6	361.1	20.8	432.0	25.3	482.8	28.9	493.0	30.2
	70	254.7	15.6	309.5	19.1	361.1	22.6	432.0	27.5	481.8	31.4	492.0	32.8
	75	254.7	17.1	309.5	21.0	361.1	24.8	432.0	30.2	480.2	34.3	490.0	35.9
	80	254.7	18.8	309.5	23.1	361.1	27.2	432.0	33.2	477.0	37.4	486.2	39.1
	85	254.7	20.6	309.5	25.3	361.1	29.9	432.0	36.4	470.7	40.5	479.7	42.3
	90	254.7	22.6	309.5	27.7	361.1	32.7	432.0	39.9	461.0	43.5	469.8	45.4
	95	254.7	24.6	309.5	30.3	361.1	35.8	414.3	41.8	430.7	44.4	437.9	46.2
100	254.7	26.8	309.5	32.9	361.1	38.9	404.0	44.3	410.8	46.0	418.7	48.0	
105	254.7	28.9	309.5	35.5	352.1	40.9	374.4	44.3	385.5	46.6	392.9	48.7	
110	254.7	30.9	305.1	37.5	329.7	41.0	342.4	43.3	352.6	45.6	359.3	47.6	
115	254.7	32.7	280.7	36.5	290.5	38.2	301.6	40.4	310.6	42.5	316.6	44.4	
118	238.7	31.5	253.1	33.8	261.9	35.4	272.0	37.4	280.1	39.4	285.4	41.2	
125	167.7	23.1	175.1	24.4	181.2	25.5	188.2	27.0	193.8	28.4	197.5	29.7	

NOTE - Power Input = Compressor + Outdoor Fan Motor.  
 MBH = 1000 BTUs per hour.

# COOLING CAPACITY - TWO MODULE | VRB360H4

Combination (%)	Outdoor Temperature °F (Dry Bulb)	Indoor Temperature - °F (Dry Bulb / Wet Bulb)											
		67 / 57		71 / 60		75 / 63		80 / 67		85 / 71		90 / 75	
		Total Cap.	Power Input	Total Cap.	Power Input	Total Cap.	Power Input	Total Cap.	Power Input	Total Cap.	Power Input	Total Cap.	Power Input
		MBH	KW	MBH	KW	MBH	KW	MBH	KW	MBH	KW	MBH	KW
110%	-10	233.5	9.1	283.7	11.2	331.0	13.2	396.0	16.1	464.0	19.3	529.0	22.5
	-5	233.5	9.7	283.7	11.9	331.0	14.0	396.0	17.1	464.0	20.5	529.0	23.9
	10	233.5	9.9	283.7	12.2	331.0	14.3	396.0	17.5	464.0	20.9	529.0	24.5
	15	233.5	10.1	283.7	12.4	331.0	14.7	396.0	17.9	464.0	21.4	528.9	25.0
	20	233.5	10.3	283.7	12.7	331.0	15.0	396.0	18.3	464.0	21.9	522.3	25.2
	25	233.5	10.6	283.7	13.0	331.0	15.3	396.0	18.7	464.0	22.4	515.5	25.5
	30	233.5	10.8	283.7	13.3	331.0	15.7	396.0	19.1	464.0	22.9	505.8	25.6
	35	233.5	11.1	283.7	13.6	331.0	16.1	396.0	19.6	464.0	23.4	495.0	25.6
	40	233.5	11.3	283.7	13.9	331.0	16.5	396.0	20.1	464.0	24.0	488.0	25.9
	45	233.5	11.6	283.7	14.3	331.0	16.9	396.0	20.6	464.0	24.6	486.1	26.4
	50	233.5	11.9	283.7	14.7	331.0	17.3	396.0	21.1	464.0	25.3	484.9	27.0
	55	233.5	12.2	283.7	15.0	331.0	17.8	396.0	21.6	464.0	25.9	484.3	27.7
	60	233.5	12.6	283.7	15.5	331.0	18.2	396.0	22.2	460.6	26.4	483.9	28.4
	65	233.5	12.9	283.7	15.9	331.0	18.8	396.0	22.9	458.3	27.0	483.5	29.2
	70	233.5	14.1	283.7	17.3	331.0	20.4	396.0	24.9	457.4	29.4	482.6	31.7
	75	233.5	15.4	283.7	19.0	331.0	22.4	396.0	27.3	455.8	32.1	480.6	34.7
	80	233.5	16.9	283.7	20.8	331.0	24.6	396.0	30.0	453.5	35.1	476.8	37.7
	85	233.5	18.6	283.7	22.8	331.0	27.0	396.0	32.9	449.9	38.2	470.5	40.9
	90	233.5	20.4	283.7	25.0	331.0	29.6	396.0	36.0	444.6	41.3	460.8	43.9
	95	233.5	22.2	283.7	27.3	331.0	32.3	396.0	39.3	433.1	43.9	437.9	45.5
100	233.5	24.2	283.7	29.7	331.0	35.1	390.4	42.2	410.8	45.3	418.7	47.3	
105	233.5	26.1	283.7	32.1	331.0	37.9	372.3	43.4	385.5	45.9	392.9	47.9	
110	233.5	27.9	283.7	34.3	318.9	39.0	342.4	42.7	352.6	44.9	359.3	46.9	
115	233.5	29.6	271.7	34.8	290.5	37.6	301.6	39.8	310.6	41.9	316.6	43.7	
118	228.8	29.8	253.1	33.3	261.9	34.9	272.0	36.9	280.1	38.8	285.4	40.5	
125	167.7	22.7	175.1	24.0	181.2	25.1	188.2	26.6	193.8	28.0	197.5	29.2	
100%	-10	212.2	8.2	257.9	10.0	300.9	11.8	360.0	14.4	421.8	17.3	480.9	20.2
	-5	212.2	8.7	257.9	10.7	300.9	12.6	360.0	15.3	421.8	18.4	480.9	21.4
	10	212.2	8.9	257.9	10.9	300.9	12.8	360.0	15.7	421.8	18.8	480.9	21.9
	15	212.2	9.0	257.9	11.1	300.9	13.1	360.0	16.0	421.8	19.2	480.9	22.4
	20	212.2	9.2	257.9	11.4	300.9	13.4	360.0	16.4	421.8	19.6	480.7	22.9
	25	212.2	9.5	257.9	11.6	300.9	13.7	360.0	16.7	421.8	20.0	478.0	23.3
	30	212.2	9.7	257.9	11.9	300.9	14.0	360.0	17.1	421.8	20.5	475.4	23.7
	35	212.2	9.9	257.9	12.2	300.9	14.4	360.0	17.5	421.8	21.0	473.2	24.1
	40	212.2	10.2	257.9	12.5	300.9	14.7	360.0	18.0	421.8	21.5	471.2	24.6
	45	212.2	10.4	257.9	12.8	300.9	15.1	360.0	18.4	421.8	22.1	469.7	25.1
	50	212.2	10.7	257.9	13.1	300.9	15.5	360.0	18.9	421.8	22.6	468.5	25.7
	55	212.2	11.0	257.9	13.5	300.9	15.9	360.0	19.4	421.8	23.2	467.6	26.4
	60	212.2	11.3	257.9	13.8	300.9	16.3	360.0	19.9	421.8	23.9	466.8	27.0
	65	212.2	11.6	257.9	14.2	300.9	16.8	360.0	20.5	421.8	24.5	466.1	27.7
	70	212.2	12.6	257.9	15.5	300.9	18.3	360.0	22.3	421.8	26.7	465.1	30.1
	75	212.2	13.8	257.9	17.0	300.9	20.0	360.0	24.4	421.8	29.3	463.5	32.9
	80	212.2	15.2	257.9	18.6	300.9	22.0	360.0	26.8	421.8	32.1	461.2	36.0
	85	212.2	16.6	257.9	20.5	300.9	24.2	360.0	29.4	421.8	35.3	457.6	39.2
	90	212.2	18.2	257.9	22.4	300.9	26.5	360.0	32.3	420.4	38.5	451.7	42.3
	95	212.2	19.9	257.9	24.5	300.9	28.9	<b>360.0</b>	<b>35.2</b>	413.1	41.3	437.9	44.8
100	212.2	21.7	257.9	26.6	300.9	31.4	360.0	38.3	403.1	43.8	418.7	46.6	
105	212.2	23.4	257.9	28.7	300.9	33.9	355.5	40.8	385.5	45.2	392.9	47.2	
110	212.2	25.0	257.9	30.7	300.9	36.3	338.8	41.6	352.6	44.3	359.3	46.2	
115	212.2	26.5	257.9	32.5	284.6	36.3	301.6	39.2	310.6	41.2	316.6	43.1	
118	212.2	27.2	245.4	31.8	261.9	34.3	272.0	36.3	280.1	38.2	285.4	39.9	
125	167.7	22.4	175.1	23.7	181.2	24.8	188.2	26.2	193.8	27.6	197.5	28.8	

NOTE - Power Input = Compressor + Outdoor Fan Motor.  
MBH = 1000 BTUs per hour.

# COOLING CAPACITY - TWO MODULE | VRB360H4

Combination (%)	Outdoor Temperature °F (Dry Bulb)	Indoor Temperature - °F (Dry Bulb / Wet Bulb)											
		67 / 57		71 / 60		75 / 63		80 / 67		85 / 71		90 / 75	
		Total Cap.	Power Input	Total Cap.	Power Input	Total Cap.	Power Input	Total Cap.	Power Input	Total Cap.	Power Input	Total Cap.	Power Input
		MBH	kW	MBH	kW	MBH	kW	MBH	kW	MBH	kW	MBH	kW
90%	-10	191.0	7.2	232.1	8.9	270.8	10.5	324.0	12.8	379.6	15.3	432.8	17.9
	-5	191.0	7.7	232.1	9.4	270.8	11.2	324.0	13.6	379.6	16.3	432.8	19.0
	10	191.0	7.8	232.1	9.6	270.8	11.4	324.0	13.9	379.6	16.6	432.8	19.4
	15	191.0	8.0	232.1	9.9	270.8	11.6	324.0	14.2	379.6	17.0	432.8	19.8
	20	191.0	8.2	232.1	10.1	270.8	11.9	324.0	14.5	379.6	17.4	432.8	20.3
	25	191.0	8.4	232.1	10.3	270.8	12.2	324.0	14.8	379.6	17.8	432.8	20.7
	30	191.0	8.6	232.1	10.5	270.8	12.5	324.0	15.2	379.6	18.2	432.8	21.2
	35	191.0	8.8	232.1	10.8	270.8	12.8	324.0	15.5	379.6	18.6	432.8	21.7
	40	191.0	9.0	232.1	11.1	270.8	13.1	324.0	15.9	379.6	19.1	432.8	22.3
	45	191.0	9.2	232.1	11.3	270.8	13.4	324.0	16.3	379.6	19.6	432.8	22.8
	50	191.0	9.5	232.1	11.6	270.8	13.7	324.0	16.7	379.6	20.1	432.8	23.4
	55	191.0	9.7	232.1	11.9	270.8	14.1	324.0	17.2	379.6	20.6	432.8	24.0
	60	191.0	10.0	232.1	12.3	270.8	14.5	324.0	17.7	379.6	21.1	432.8	24.7
	65	191.0	10.3	232.1	12.6	270.8	14.9	324.0	18.1	379.6	21.7	432.8	25.4
	70	191.0	11.2	232.1	13.7	270.8	16.2	324.0	19.7	379.6	23.6	432.8	27.6
	75	191.0	12.2	232.1	15.1	270.8	17.8	324.0	21.7	379.6	26.0	432.8	30.3
	80	191.0	13.4	232.1	16.5	270.8	19.5	324.0	23.8	379.6	28.5	432.8	33.3
	85	191.0	14.8	232.1	18.1	270.8	21.4	324.0	26.1	379.6	31.3	430.5	36.3
	90	191.0	16.2	232.1	19.9	270.8	23.5	324.0	28.6	379.6	34.3	425.3	39.3
	95	191.0	17.7	232.1	21.7	270.8	25.6	324.0	31.2	379.6	37.4	422.4	42.6
100	191.0	19.2	232.1	23.6	270.8	27.9	324.0	34.0	379.3	40.6	412.2	45.2	
105	191.0	20.7	232.1	25.5	270.8	30.1	324.0	36.7	370.2	42.8	392.9	46.5	
110	191.0	22.2	232.1	27.3	270.8	32.2	322.0	39.0	352.6	43.6	359.3	45.5	
115	191.0	23.5	232.1	28.8	270.5	34.0	300.9	38.5	310.6	40.6	316.6	42.4	
118	191.0	24.1	232.1	29.7	255.8	33.0	272.0	35.8	280.1	37.7	285.4	39.3	
125	167.7	22.1	175.1	23.3	181.2	24.4	188.2	25.8	193.8	27.2	197.5	28.4	
80%	-10	169.8	6.3	206.3	7.8	240.7	9.2	288.0	11.2	337.4	13.4	384.7	15.7
	-5	169.8	6.7	206.3	8.3	240.7	9.8	288.0	11.9	337.4	14.3	384.7	16.7
	10	169.8	6.9	206.3	8.5	240.7	10.0	288.0	12.2	337.4	14.6	384.7	17.0
	15	169.8	7.0	206.3	8.6	240.7	10.2	288.0	12.4	337.4	14.9	384.7	17.4
	20	169.8	7.2	206.3	8.8	240.7	10.4	288.0	12.7	337.4	15.2	384.7	17.8
	25	169.8	7.3	206.3	9.0	240.7	10.7	288.0	13.0	337.4	15.6	384.7	18.2
	30	169.8	7.5	206.3	9.2	240.7	10.9	288.0	13.3	337.4	15.9	384.7	18.6
	35	169.8	7.7	206.3	9.5	240.7	11.2	288.0	13.6	337.4	16.3	384.7	19.0
	40	169.8	7.9	206.3	9.7	240.7	11.4	288.0	13.9	337.4	16.7	384.7	19.5
	45	169.8	8.1	206.3	9.9	240.7	11.7	288.0	14.3	337.4	17.1	384.7	20.0
	50	169.8	8.3	206.3	10.2	240.7	12.0	288.0	14.7	337.4	17.6	384.7	20.5
	55	169.8	8.5	206.3	10.5	240.7	12.4	288.0	15.1	337.4	18.0	384.7	21.1
	60	169.8	8.7	206.3	10.7	240.7	12.7	288.0	15.5	337.4	18.5	384.7	21.6
	65	169.8	9.0	206.3	11.0	240.7	13.0	288.0	15.9	337.4	19.0	384.7	22.2
	70	169.8	9.8	206.3	12.0	240.7	14.2	288.0	17.3	337.4	20.7	384.7	24.2
	75	169.8	10.7	206.3	13.2	240.7	15.6	288.0	19.0	337.4	22.7	384.7	26.5
	80	169.8	11.8	206.3	14.5	240.7	17.1	288.0	20.8	337.4	25.0	384.7	29.2
	85	169.8	12.9	206.3	15.9	240.7	18.8	288.0	22.9	337.4	27.4	384.7	32.0
	90	169.8	14.2	206.3	17.4	240.7	20.6	288.0	25.1	337.4	30.0	384.7	35.0
	95	169.8	15.5	206.3	19.0	240.7	22.5	288.0	27.4	337.4	32.8	384.7	38.3
100	169.8	16.8	206.3	20.7	240.7	24.4	288.0	29.7	337.4	35.6	384.7	41.6	
105	169.8	18.2	206.3	22.3	240.7	26.4	288.0	32.1	337.4	38.5	376.3	43.9	
110	169.8	19.4	206.3	23.9	240.7	28.2	288.0	34.4	333.4	40.7	358.8	44.8	
115	169.8	20.6	206.3	25.3	240.7	29.8	284.1	35.9	310.6	40.0	316.6	41.8	
118	169.8	21.1	206.3	26.0	240.7	30.7	268.8	34.9	280.1	37.1	285.4	38.8	
125	160.6	20.8	175.1	23.0	181.2	24.0	188.2	25.4	193.8	26.8	197.5	28.0	

NOTE - Power Input = Compressor + Outdoor Fan Motor.  
 MBH = 1000 BTUs per hour.

# COOLING CAPACITY - TWO MODULE | VRB360H4

Combination (%)	Outdoor Temperature °F (Dry Bulb)	Indoor Temperature - °F (Dry Bulb / Wet Bulb)											
		67 / 57		71 / 60		75 / 63		80 / 67		85 / 71		90 / 75	
		Total Cap.	Power Input	Total Cap.	Power Input	Total Cap.	Power Input	Total Cap.	Power Input	Total Cap.	Power Input	Total Cap.	Power Input
		MBH	KW	MBH	KW	MBH	KW	MBH	KW	MBH	KW	MBH	KW
70%	-10	148.6	5.5	180.5	6.7	210.6	7.9	252.0	9.7	295.3	11.6	336.6	13.5
	-5	148.6	5.8	180.5	7.1	210.6	8.4	252.0	10.3	295.3	12.3	336.6	14.4
	10	148.6	5.9	180.5	7.3	210.6	8.6	252.0	10.5	295.3	12.6	336.6	14.7
	15	148.6	6.1	180.5	7.4	210.6	8.8	252.0	10.7	295.3	12.8	336.6	15.0
	20	148.6	6.2	180.5	7.6	210.6	9.0	252.0	11.0	295.3	13.1	336.6	15.3
	25	148.6	6.3	180.5	7.8	210.6	9.2	252.0	11.2	295.3	13.4	336.6	15.7
	30	148.6	6.5	180.5	8.0	210.6	9.4	252.0	11.5	295.3	13.7	336.6	16.0
	35	148.6	6.6	180.5	8.2	210.6	9.6	252.0	11.7	295.3	14.1	336.6	16.4
	40	148.6	6.8	180.5	8.4	210.6	9.9	252.0	12.0	295.3	14.4	336.6	16.8
	45	148.6	7.0	180.5	8.6	210.6	10.1	252.0	12.3	295.3	14.8	336.6	17.2
	50	148.6	7.2	180.5	8.8	210.6	10.4	252.0	12.7	295.3	15.2	336.6	17.7
	55	148.6	7.3	180.5	9.0	210.6	10.7	252.0	13.0	295.3	15.6	336.6	18.2
	60	148.6	7.5	180.5	9.3	210.6	10.9	252.0	13.3	295.3	16.0	336.6	18.7
	65	148.6	7.8	180.5	9.5	210.6	11.2	252.0	13.7	295.3	16.4	336.6	19.2
	70	148.6	8.4	180.5	10.4	210.6	12.2	252.0	14.9	295.3	17.9	336.6	20.9
	75	148.6	9.3	180.5	11.4	210.6	13.4	252.0	16.4	295.3	19.6	336.6	22.9
	80	148.6	10.2	180.5	12.5	210.6	14.7	252.0	18.0	295.3	21.5	336.6	25.1
	85	148.6	11.1	180.5	13.7	210.6	16.2	252.0	19.7	295.3	23.6	336.6	27.6
	90	148.6	12.2	180.5	15.0	210.6	17.7	252.0	21.6	295.3	25.9	336.6	30.2
	95	148.6	13.3	180.5	16.4	210.6	19.4	252.0	23.6	295.3	28.3	336.6	33.0
100	148.6	14.5	180.5	17.8	210.6	21.0	252.0	25.7	295.3	30.7	336.6	35.9	
105	148.6	15.7	180.5	19.2	210.6	22.7	252.0	27.7	295.3	33.2	336.6	38.7	
110	148.6	16.8	180.5	20.6	210.6	24.3	252.0	29.6	295.3	35.5	336.4	41.4	
115	148.6	17.7	180.5	21.8	210.6	25.7	252.0	31.4	291.9	37.1	314.2	40.9	
118	148.6	18.2	180.5	22.4	210.6	26.5	252.0	32.2	276.2	36.1	285.4	38.2	
125	145.8	18.7	169.1	21.9	181.2	23.7	188.2	25.1	193.8	26.4	197.5	27.6	
60%	-10	127.3	4.6	154.7	5.7	180.5	6.7	216.0	8.2	253.1	9.8	288.5	11.4
	-5	127.3	4.9	154.7	6.0	180.5	7.1	216.0	8.7	253.1	10.4	288.5	12.1
	10	127.3	5.0	154.7	6.2	180.5	7.3	216.0	8.9	253.1	10.6	288.5	12.4
	15	127.3	5.1	154.7	6.3	180.5	7.4	216.0	9.1	253.1	10.9	288.5	12.7
	20	127.3	5.2	154.7	6.4	180.5	7.6	216.0	9.3	253.1	11.1	288.5	12.9
	25	127.3	5.4	154.7	6.6	180.5	7.8	216.0	9.5	253.1	11.3	288.5	13.2
	30	127.3	5.5	154.7	6.7	180.5	8.0	216.0	9.7	253.1	11.6	288.5	13.6
	35	127.3	5.6	154.7	6.9	180.5	8.1	216.0	9.9	253.1	11.9	288.5	13.9
	40	127.3	5.7	154.7	7.1	180.5	8.3	216.0	10.2	253.1	12.2	288.5	14.2
	45	127.3	5.9	154.7	7.2	180.5	8.5	216.0	10.4	253.1	12.5	288.5	14.6
	50	127.3	6.0	154.7	7.4	180.5	8.8	216.0	10.7	253.1	12.8	288.5	15.0
	55	127.3	6.2	154.7	7.6	180.5	9.0	216.0	11.0	253.1	13.1	288.5	15.3
	60	127.3	6.4	154.7	7.8	180.5	9.2	216.0	11.3	253.1	13.5	288.5	15.8
	65	127.3	6.5	154.7	8.0	180.5	9.5	216.0	11.6	253.1	13.9	288.5	16.2
	70	127.3	7.1	154.7	8.8	180.5	10.3	216.0	12.6	253.1	15.1	288.5	17.6
	75	127.3	7.8	154.7	9.6	180.5	11.3	216.0	13.8	253.1	16.6	288.5	19.3
	80	127.3	8.6	154.7	10.6	180.5	12.5	216.0	15.2	253.1	18.2	288.5	21.2
	85	127.3	9.4	154.7	11.6	180.5	13.7	216.0	16.7	253.1	20.0	288.5	23.3
	90	127.3	10.3	154.7	12.7	180.5	15.0	216.0	18.3	253.1	21.9	288.5	25.5
	95	127.3	11.3	154.7	13.9	180.5	16.4	216.0	19.9	253.1	23.9	288.5	27.9
100	127.3	12.3	154.7	15.1	180.5	17.8	216.0	21.7	253.1	26.0	288.5	30.3	
105	127.3	13.2	154.7	16.3	180.5	19.2	216.0	23.4	253.1	28.0	288.5	32.7	
110	127.3	14.2	154.7	17.4	180.5	20.5	216.0	25.0	253.1	30.0	288.5	35.0	
115	127.3	15.0	154.7	18.4	180.5	21.7	216.0	26.5	253.1	31.7	288.5	37.1	
118	127.3	15.4	154.7	18.9	180.5	22.4	216.0	27.2	253.1	32.6	275.7	36.4	
125	127.3	16.1	154.7	19.7	172.1	22.2	188.2	24.7	193.8	26.0	197.5	27.2	

NOTE - Power Input = Compressor + Outdoor Fan Motor.  
MBH = 1000 BTUs per hour.

## COOLING CAPACITY - TWO MODULE | VRB360H4

Combination (%)	Outdoor Temperature °F (Dry Bulb)	Indoor Temperature - °F (Dry Bulb / Wet Bulb)											
		67 / 57		71 / 60		75 / 63		80 / 67		85 / 71		90 / 75	
		Total Cap.	Power Input	Total Cap.	Power Input	Total Cap.	Power Input	Total Cap.	Power Input	Total Cap.	Power Input	Total Cap.	Power Input
		MBH	kW	MBH	kW	MBH	kW	MBH	kW	MBH	kW	MBH	kW
50%	-10	99.9	3.6	129.0	4.7	150.4	5.5	180.0	6.7	210.9	8.0	240.4	9.4
	-5	106.1	4.0	129.0	5.0	150.4	5.8	180.0	7.1	210.9	8.5	240.4	10.0
	10	106.1	4.1	129.0	5.1	150.4	6.0	180.0	7.3	210.9	8.7	240.4	10.2
	15	106.1	4.2	129.0	5.2	150.4	6.1	180.0	7.4	210.9	8.9	240.4	10.4
	20	106.1	4.3	129.0	5.3	150.4	6.2	180.0	7.6	210.9	9.1	240.4	10.6
	25	106.1	4.4	129.0	5.4	150.4	6.4	180.0	7.8	210.9	9.3	240.4	10.9
	30	106.1	4.5	129.0	5.5	150.4	6.5	180.0	8.0	210.9	9.5	240.4	11.1
	35	106.1	4.6	129.0	5.7	150.4	6.7	180.0	8.2	210.9	9.8	240.4	11.4
	40	106.1	4.7	129.0	5.8	150.4	6.9	180.0	8.4	210.9	10.0	240.4	11.7
	45	106.1	4.8	129.0	5.9	150.4	7.0	180.0	8.6	210.9	10.3	240.4	12.0
	50	106.1	5.0	129.0	6.1	150.4	7.2	180.0	8.8	210.9	10.5	240.4	12.3
	55	106.1	5.1	129.0	6.3	150.4	7.4	180.0	9.0	210.9	10.8	240.4	12.6
	60	106.1	5.2	129.0	6.4	150.4	7.6	180.0	9.3	210.9	11.1	240.4	13.0
	65	106.1	5.4	129.0	6.6	150.4	7.8	180.0	9.5	210.9	11.4	240.4	13.3
	70	106.1	5.9	129.0	7.2	150.4	8.5	180.0	10.4	210.9	12.4	240.4	14.5
	75	106.1	6.4	129.0	7.9	150.4	9.3	180.0	11.4	210.9	13.6	240.4	15.9
	80	106.1	7.1	129.0	8.7	150.4	10.2	180.0	12.5	210.9	14.9	240.4	17.5
	85	106.1	7.7	129.0	9.5	150.4	11.2	180.0	13.7	210.9	16.4	240.4	19.2
90	106.1	8.5	129.0	10.4	150.4	12.3	180.0	15.0	210.9	18.0	240.4	21.0	
95	106.1	9.3	129.0	11.4	150.4	13.4	180.0	16.4	210.9	19.6	240.4	22.9	
100	106.1	10.1	129.0	12.4	150.4	14.6	180.0	17.8	210.9	21.3	240.4	24.9	
105	106.1	10.9	129.0	13.4	150.4	15.8	180.0	19.2	210.9	23.0	240.4	26.9	
110	106.1	11.6	129.0	14.3	150.4	16.9	180.0	20.6	210.9	24.7	240.4	28.8	
115	106.1	12.3	129.0	15.1	150.4	17.9	180.0	21.8	210.9	26.1	240.4	30.5	
118	106.1	12.7	129.0	15.6	150.4	18.4	180.0	22.4	210.9	26.8	240.4	31.3	
125	106.1	13.2	129.0	16.2	150.4	19.2	175.2	22.7	192.4	25.5	197.5	26.8	

NOTE - Power Input = Compressor + Outdoor Fan Motor.  
 MBH = 1000 BTUs per hour.

# HEATING CAPACITY - TWO MODULE | VRB360H4

Combination (%)	Outdoor Temperature (°F)		Indoor Temperature - °F Dry Bulb											
			61		64		67		70		73		75	
	Dry Bulb	Wet Bulb	Total Cap.	Power Input	Total Cap.	Power Input	Total Cap.	Power Input	Total Cap.	Power Input	Total Cap.	Power Input	Total Cap.	Power Input
			MBH	kW	MBH	kW	MBH	kW	MBH	kW	MBH	kW	MBH	kW
130%	-13	-14	219.2	27.6	218.6	28.4	218.1	29.1	217.5	30.0	217.0	30.9	216.6	31.5
	-8	-9	226.6	28.6	226.1	29.4	225.5	30.1	224.9	31.0	224.3	31.9	224.0	32.6
	-3	-4	239.4	30.0	238.8	30.8	238.2	31.6	237.6	32.5	237.0	33.5	236.6	34.2
	2	1	256.2	31.7	255.5	32.6	254.9	33.4	254.2	34.4	253.6	35.4	253.2	36.0
	7	6	275.6	33.5	274.9	34.4	274.2	35.3	273.5	36.2	272.8	37.3	272.3	38.0
	12	10	296.5	35.2	295.7	36.1	295.0	37.0	294.3	38.0	293.5	39.0	293.0	39.8
	17	15	317.9	36.7	317.1	37.6	316.4	38.5	315.5	39.5	314.7	40.5	314.2	41.3
	22	20	339.0	37.8	338.2	38.7	337.4	39.6	336.5	40.6	335.6	41.6	335.1	42.3
	27	24	359.1	38.6	358.2	39.4	357.3	40.3	356.4	41.3	355.5	42.3	354.9	43.0
	32	29	377.5	38.9	376.6	39.7	375.7	40.6	374.7	41.5	373.9	42.1	373.1	41.4
	37	34	393.9	38.8	392.9	39.6	392.0	40.4	391.2	40.4	390.4	39.5	389.6	38.9
	42	38	408.0	38.3	407.2	39.1	406.4	38.6	405.6	37.8	404.8	37.1	404.0	36.7
	47	43	433.1	38.3	432.3	37.7	431.5	37.2	430.7	36.6	429.9	36.1	429.1	35.7
	52	47	476.7	38.4	475.9	37.9	475.1	37.5	474.3	37.1	473.5	36.6	467.4	35.9
	57	52	519.0	38.4	518.2	38.0	517.4	37.7	515.9	37.3	492.0	35.3	470.5	33.6
	62	56	559.7	38.3	558.9	38.0	553.3	37.4	525.2	35.3	492.0	32.9	470.5	31.4
	67	61	598.9	38.1	589.0	37.3	558.4	35.2	525.2	33.0	492.0	30.8	470.5	29.4
	72	66	622.8	37.0	589.6	34.9	558.4	33.0	525.2	31.0	492.0	29.0	470.5	27.7
	75	69	622.8	35.6	589.6	33.6	558.4	31.8	525.2	29.9	492.0	28.0	470.5	26.8
	80	74	622.8	33.5	589.6	31.7	558.4	30.0	525.2	28.2	492.0	26.5	470.5	25.3
120%	-13	-14	218.3	27.1	217.7	27.8	217.2	28.6	216.7	29.4	216.1	30.3	215.7	30.9
	-8	-9	225.7	28.0	225.2	28.8	224.6	29.6	224.0	30.4	223.5	31.3	223.1	31.9
	-3	-4	238.5	29.4	237.9	30.2	237.3	31.0	236.7	31.9	236.1	32.9	235.7	33.5
	2	1	255.2	31.1	254.5	31.9	253.9	32.8	253.2	33.7	252.6	34.7	252.2	35.3
	7	6	274.5	32.9	273.8	33.7	273.1	34.6	272.4	35.5	271.7	36.5	271.3	37.2
	12	10	295.3	34.5	294.6	35.4	293.9	36.3	293.1	37.2	292.3	38.3	291.9	39.0
	17	15	316.7	36.0	315.9	36.8	315.1	37.7	314.3	38.7	313.5	39.8	313.0	40.5
	22	20	337.7	37.1	336.8	38.0	336.0	38.8	335.2	39.8	334.3	40.8	333.7	41.5
	27	24	357.7	37.8	356.8	38.7	355.9	39.5	355.0	40.5	354.1	41.5	353.5	42.1
	32	29	376.0	38.1	375.1	39.0	374.2	39.8	373.2	40.7	372.4	41.3	371.6	40.6
	37	34	392.4	38.1	391.4	38.8	390.4	39.6	389.6	39.6	388.8	38.7	388.0	38.1
	42	38	406.4	37.6	405.6	38.3	404.8	37.8	404.0	37.1	403.1	36.4	402.3	36.0
	47	43	433.1	37.7	432.3	37.2	431.5	36.6	430.7	36.1	429.9	35.5	427.5	35.1
	52	47	476.7	37.8	475.9	37.4	475.1	36.9	474.3	36.5	454.2	34.6	434.3	32.9
	57	52	519.0	37.8	518.2	37.4	511.8	36.7	484.8	34.5	454.2	32.1	434.3	30.5
	62	56	559.7	37.7	544.3	36.4	515.4	34.3	484.8	32.1	454.2	29.9	434.3	28.5
	67	61	574.9	36.0	544.3	33.9	515.4	32.0	484.8	30.0	454.2	28.0	434.3	26.7
	72	66	574.9	33.6	544.3	31.8	515.4	30.0	484.8	28.2	454.2	26.4	434.3	25.2
	75	69	574.9	32.3	544.3	30.6	515.4	28.9	484.8	27.2	454.2	25.4	434.3	24.3
	80	74	574.9	30.4	544.3	28.8	515.4	27.3	484.8	25.7	454.2	24.1	434.3	23.0
110%	-13	-14	217.4	26.6	216.9	27.3	216.4	28.0	215.8	28.8	215.2	29.7	214.9	30.3
	-8	-9	224.8	27.5	224.3	28.2	223.7	29.0	223.1	29.8	222.6	30.7	222.2	31.3
	-3	-4	237.5	28.9	236.9	29.6	236.4	30.4	235.8	31.3	235.1	32.2	234.8	32.9
	2	1	254.1	30.5	253.5	31.3	252.9	32.1	252.2	33.0	251.6	34.0	251.2	34.7
	7	6	273.4	32.2	272.7	33.1	272.0	33.9	271.3	34.8	270.6	35.8	270.2	36.5
	12	10	294.1	33.9	293.4	34.7	292.7	35.6	291.9	36.5	291.2	37.6	290.7	38.2
	17	15	315.4	35.3	314.6	36.1	313.9	37.0	313.0	38.0	312.2	39.0	311.7	39.7
	22	20	336.4	36.4	335.5	37.2	334.7	38.1	333.8	39.0	333.0	40.0	332.4	40.7
	27	24	356.3	37.1	355.4	37.9	354.5	38.8	353.6	39.7	352.7	40.7	352.6	41.4
	32	29	374.6	37.4	373.6	38.2	372.7	39.0	371.7	39.9	370.9	40.5	370.1	39.8
	37	34	390.8	37.3	389.8	38.1	388.9	38.8	388.1	38.9	387.3	38.0	386.5	37.4
	42	38	404.8	36.9	404.0	37.6	403.2	37.1	402.3	36.4	401.5	35.7	395.7	34.8
	47	43	433.1	37.2	432.3	36.6	431.5	36.1	430.7	35.5	416.3	33.9	398.1	32.1
	52	47	476.7	37.2	475.9	36.8	469.6	36.0	444.4	33.7	416.3	31.2	398.1	29.7
	57	52	518.1	37.2	498.9	35.5	472.5	33.4	444.4	31.2	416.3	29.0	398.1	27.6
	62	56	527.0	34.9	498.9	32.9	472.5	31.0	444.4	29.0	416.3	27.0	398.1	25.7
	67	61	527.0	32.5	498.9	30.6	472.5	28.9	444.4	27.1	416.3	25.3	398.1	24.1
	72	66	527.0	30.3	498.9	28.7	472.5	27.1	444.4	25.4	416.3	23.8	398.1	22.7
	75	69	527.0	29.2	498.9	27.6	472.5	26.1	444.4	24.5	416.3	23.0	398.1	22.0
	80	74	527.0	27.4	498.9	26.0	472.5	24.6	444.4	23.2	416.3	21.7	398.1	20.8

NOTE - Power Input = Compressor + Outdoor Fan Motor.  
MBH = 1000 BTUs per hour.



# HEATING CAPACITY - TWO MODULE | VRB360H4

Combination (%)	Outdoor Temperature (°F)		Indoor Temperature - °F Dry Bulb											
			61		64		67		70		73		75	
	Dry Bulb	Wet Bulb	Total Cap. MBH	Power Input kW	Total Cap. MBH	Power Input kW	Total Cap. MBH	Power Input kW	Total Cap. MBH	Power Input kW	Total Cap. MBH	Power Input kW	Total Cap. MBH	Power Input kW
100%	-13	-14	216.6	26.1	216.0	26.8	215.5	27.5	214.9	28.3	214.4	29.1	214.0	29.7
	-8	-9	223.9	27.0	223.4	27.7	222.8	28.4	222.3	29.3	221.7	30.1	221.3	30.7
	-3	-4	236.6	28.3	236.0	29.1	235.4	29.8	234.8	30.7	234.2	31.6	233.8	32.2
	2	1	253.1	29.9	252.5	30.7	251.9	31.5	251.2	32.4	250.6	33.4	250.2	34.0
	7	6	272.3	31.6	271.6	32.4	271.0	33.3	270.3	34.2	269.6	35.2	269.1	35.8
	12	10	293.0	33.2	292.2	34.1	291.5	34.9	290.8	35.8	290.0	36.8	289.5	37.5
	17	15	314.2	34.6	313.4	35.5	312.6	36.3	311.8	37.2	311.0	38.3	310.5	38.9
	22	20	335.0	35.7	334.2	36.5	333.4	37.4	332.5	38.3	331.6	39.3	331.1	40.0
	27	24	354.8	36.4	353.9	37.2	353.1	38.0	352.2	38.9	351.3	39.9	350.7	40.6
	32	29	373.1	36.7	372.1	37.5	371.2	38.3	370.3	39.2	369.3	39.7	361.9	38.3
	37	34	389.3	36.6	388.3	37.4	387.3	38.1	386.3	38.1	378.4	36.6	361.9	34.5
	42	38	403.2	36.2	402.1	36.9	401.2	36.3	398.1	35.5	378.5	33.2	361.9	31.4
	47	43	414.6	35.0	413.5	34.5	412.5	34.0	404.0	32.8	378.5	30.4	361.9	28.8
	52	47	423.6	32.6	422.5	32.2	421.4	31.8	404.0	30.2	378.5	28.0	361.9	26.6
	57	52	430.2	30.4	429.1	30.1	424.9	29.6	404.0	27.9	378.5	25.9	361.9	24.7
	62	56	434.8	28.4	433.7	28.2	427.4	27.6	404.0	26.0	378.5	24.2	361.9	23.1
	67	61	437.8	26.6	436.7	26.4	429.1	25.9	404.0	24.3	378.5	22.7	361.9	21.6
	72	66	439.7	24.9	438.6	24.8	429.5	24.3	404.0	22.8	378.5	21.3	361.9	20.4
75	69	440.6	24.0	439.5	23.9	429.5	23.4	404.0	22.0	378.5	20.6	361.9	19.7	
80	74	442.3	22.7	441.2	22.6	429.5	22.1	404.0	20.8	378.5	19.4	361.9	18.6	
90%	-13	-14	215.7	25.6	215.2	26.3	214.6	27.0	214.1	27.8	213.5	28.6	213.2	29.2
	-8	-9	223.0	26.5	222.5	27.2	221.9	27.9	221.4	28.7	220.8	29.6	220.4	30.2
	-3	-4	235.6	27.8	235.0	28.5	234.5	29.3	233.9	30.1	233.3	31.0	232.9	31.6
	2	1	252.1	29.4	251.5	30.2	250.9	30.9	250.2	31.8	249.6	32.7	249.2	33.4
	7	6	271.2	31.0	270.5	31.8	269.9	32.6	269.2	33.5	268.5	34.5	268.0	35.2
	12	10	291.8	32.6	291.1	33.4	290.4	34.3	289.6	35.2	288.9	36.2	288.4	36.8
	17	15	312.9	34.0	312.1	34.8	311.4	35.6	310.6	36.6	309.8	37.5	309.2	38.2
	22	20	333.7	35.0	332.8	35.8	332.0	36.7	331.2	37.6	329.2	38.4	314.9	37.4
	27	24	353.4	35.7	352.5	36.5	351.7	37.3	350.8	38.2	327.4	36.6	315.6	36.0
	32	29	371.6	36.0	370.6	36.8	369.7	37.6	346.4	36.1	332.4	35.2	325.7	34.0
	37	34	387.7	35.9	386.7	36.7	363.7	35.3	347.7	33.8	340.6	32.4	325.8	30.6
	42	38	401.5	35.5	377.5	34.1	361.0	32.2	358.3	31.5	340.6	29.4	325.8	27.8
	47	43	390.7	32.5	372.2	30.6	371.3	30.1	363.6	29.1	340.6	26.9	325.8	25.5
	52	47	381.2	28.9	380.2	28.5	379.2	28.2	363.6	26.7	340.6	24.8	325.8	23.6
	57	52	387.2	26.9	386.2	26.7	382.4	26.2	363.6	24.7	340.6	23.0	325.8	21.9
	62	56	391.4	25.2	390.4	25.0	384.7	24.5	363.6	23.0	340.6	21.4	325.8	20.4
	67	61	394.0	23.6	393.0	23.4	386.2	22.9	363.6	21.5	340.6	20.1	325.8	19.2
	72	66	395.8	22.1	394.7	22.0	386.6	21.5	363.6	20.2	340.6	18.9	325.8	18.0
75	69	396.6	21.3	395.6	21.2	386.6	20.7	363.6	19.5	340.6	18.2	325.8	17.4	
80	74	398.1	20.1	397.1	20.1	386.6	19.6	363.6	18.4	340.6	17.2	325.8	16.5	
80%	-13	-14	214.8	25.1	214.3	25.8	213.8	26.5	213.2	27.3	212.7	28.1	212.3	28.6
	-8	-9	222.2	26.0	221.6	26.7	221.0	27.4	220.5	28.2	219.9	29.0	219.5	29.6
	-3	-4	234.7	27.3	234.1	28.0	233.5	28.7	232.9	29.6	232.3	30.5	231.9	31.1
	2	1	251.1	28.8	250.5	29.6	249.9	30.4	249.2	31.2	248.6	32.1	248.2	32.8
	7	6	270.1	30.5	269.4	31.2	268.8	32.0	268.1	32.9	267.4	33.9	267.0	34.5
	12	10	290.6	32.0	289.9	32.8	289.2	33.6	288.4	34.5	287.7	35.5	281.9	35.5
	17	15	311.6	33.3	310.9	34.2	310.1	35.0	309.3	35.9	295.3	35.3	283.2	34.5
	22	20	332.3	34.4	331.5	35.2	330.7	36.0	314.3	35.2	294.8	33.9	282.6	33.1
	27	24	352.0	35.1	351.1	35.8	332.3	34.8	311.6	33.4	290.9	32.1	281.9	31.6
	32	29	369.4	35.3	347.5	34.0	326.9	32.7	305.1	31.3	295.4	30.9	289.5	29.8
	37	34	361.9	33.1	339.0	31.7	317.6	30.3	309.1	29.6	302.7	28.4	289.6	26.8
	42	38	350.3	30.5	326.7	29.1	320.9	28.2	318.5	27.6	302.8	25.8	289.6	24.4
	47	43	335.1	27.5	330.8	26.8	330.0	26.4	323.2	25.5	302.8	23.6	289.6	22.4
	52	47	338.9	25.3	338.0	25.0	337.1	24.7	323.2	23.4	302.8	21.7	289.6	20.6
	57	52	344.2	23.6	343.3	23.4	339.9	23.0	323.2	21.7	302.8	20.2	289.6	19.2
	62	56	347.9	22.0	347.0	21.9	341.9	21.4	323.2	20.2	302.8	18.8	289.6	17.9
	67	61	350.3	20.6	349.4	20.5	343.2	20.1	323.2	18.8	302.8	17.6	289.6	16.8
	72	66	351.8	19.4	350.9	19.3	343.6	18.8	323.2	17.7	302.8	16.5	289.6	15.8
75	69	352.5	18.7	351.6	18.6	343.6	18.2	323.2	17.1	302.8	16.0	289.6	15.3	
80	74	353.9	17.6	353.0	17.6	343.6	17.1	323.2	16.1	302.8	15.1	289.6	14.5	

NOTE - Power Input = Compressor + Outdoor Fan Motor.  
 MBH = 1000 BTUs per hour.

# HEATING CAPACITY - TWO MODULE | VRB360H4

Combination (%)	Outdoor Temperature (°F)		Indoor Temperature - °F Dry Bulb											
			61		64		67		70		73		75	
	Dry Bulb	Wet Bulb	Total Cap.	Power Input	Total Cap.	Power Input	Total Cap.	Power Input	Total Cap.	Power Input	Total Cap.	Power Input	Total Cap.	Power Input
			MBH	kW	MBH	kW	MBH	kW	MBH	kW	MBH	kW	MBH	kW
70%	-13	-14	214.0	24.7	213.4	25.3	212.9	26.0	212.4	26.8	211.8	27.6	211.5	28.1
	-8	-9	221.3	25.5	220.7	26.2	220.2	26.9	219.6	27.7	219.0	28.5	218.7	29.1
	-3	-4	233.8	26.8	233.2	27.5	232.6	28.2	232.0	29.0	231.4	29.9	231.0	30.5
	2	1	250.1	28.3	249.5	29.1	248.9	29.8	248.2	30.6	247.6	31.5	247.2	32.2
	7	6	269.0	29.9	268.4	30.7	267.7	31.5	267.0	32.3	259.8	32.4	249.8	31.8
	12	10	289.5	31.4	288.7	32.2	288.0	33.0	277.1	32.7	260.9	31.7	250.5	31.1
	17	15	310.4	32.7	309.6	33.5	294.4	32.7	277.7	31.7	261.0	30.7	250.3	30.0
	22	20	327.5	33.4	310.3	32.5	294.1	31.6	276.9	30.5	259.7	29.4	248.6	28.7
	27	24	325.3	31.9	307.2	30.9	292.1	30.1	274.4	29.0	256.7	27.9	246.6	27.3
	32	29	319.4	30.1	300.4	29.0	288.2	28.4	270.0	27.3	258.9	26.7	253.3	25.7
	37	34	309.7	27.9	290.0	26.7	282.4	26.6	273.6	25.8	264.9	24.5	253.4	23.1
	42	38	296.3	25.4	281.5	24.7	287.4	24.9	278.7	23.8	264.9	22.2	253.4	21.0
	47	43	290.2	23.5	289.5	23.1	291.6	23.0	282.8	22.0	264.9	20.3	253.4	19.3
	52	47	296.5	21.8	295.7	21.6	295.0	21.3	282.8	20.2	264.9	18.7	253.4	17.8
	57	52	301.2	20.4	300.4	20.1	297.5	19.8	282.8	18.7	264.9	17.4	253.4	16.5
	62	56	304.4	19.0	303.6	18.9	299.2	18.5	282.8	17.4	264.9	16.2	253.4	15.4
	67	61	306.5	17.8	305.7	17.7	300.3	17.3	282.8	16.3	264.9	15.2	253.4	14.5
	72	66	307.8	16.7	307.0	16.6	300.7	16.3	282.8	15.3	264.9	14.3	253.4	13.6
	75	69	308.4	16.1	307.7	16.0	300.7	15.7	282.8	14.7	264.9	13.8	253.4	13.2
	80	74	309.6	15.2	308.8	15.2	300.7	14.8	282.8	13.9	264.9	13.0	253.4	12.5
60%	-13	-14	213.1	24.2	212.6	24.9	212.0	25.5	211.5	26.3	211.0	27.1	210.6	27.6
	-8	-9	220.4	25.0	219.8	25.7	219.3	26.4	218.7	27.2	218.1	28.0	216.0	28.3
	-3	-4	232.8	26.3	232.2	27.0	231.7	27.7	231.1	28.5	226.8	28.9	217.2	28.3
	2	1	249.1	27.8	248.5	28.5	247.9	29.3	239.9	29.2	227.1	28.5	217.2	27.9
	7	6	268.0	29.4	266.7	30.1	254.1	29.4	240.8	28.7	227.1	28.0	217.2	27.3
	12	10	281.8	30.1	268.0	29.5	255.0	28.8	241.3	28.1	227.1	27.2	217.2	26.6
	17	15	282.6	29.4	268.3	28.6	254.9	27.9	240.7	27.1	227.1	26.4	217.2	25.7
	22	20	281.9	28.3	267.2	27.6	253.3	26.8	238.7	25.9	227.1	25.4	217.2	24.7
	27	24	279.5	27.0	264.3	26.2	250.1	25.4	235.0	24.5	227.1	24.3	217.2	23.7
	32	29	275.2	25.5	259.6	24.7	245.0	23.8	229.6	22.9	227.1	23.1	217.2	21.7
	37	34	269.0	23.9	253.1	23.0	241.9	22.5	234.5	21.8	227.1	20.7	217.2	19.5
	42	38	261.0	22.1	253.4	21.9	246.3	21.1	238.9	20.1	227.1	18.8	217.2	17.8
	47	43	264.5	21.1	257.0	20.2	250.0	19.4	242.4	18.6	227.1	17.2	217.2	16.3
	52	47	267.3	19.4	259.9	18.7	252.8	18.0	242.4	17.1	227.1	15.8	217.2	15.0
	57	52	269.5	18.0	262.0	17.3	255.0	16.7	242.4	15.8	227.1	14.7	217.2	14.0
	62	56	271.0	16.7	263.5	16.1	256.4	15.6	242.4	14.7	227.1	13.7	217.2	13.0
	67	61	272.0	15.6	264.5	15.1	257.4	14.6	242.4	13.7	227.1	12.8	217.2	12.2
	72	66	272.6	14.6	265.1	14.2	257.7	13.7	242.4	12.9	227.1	12.1	217.2	11.5
	75	69	273.0	14.0	265.5	13.6	257.7	13.2	242.4	12.4	227.1	11.6	217.2	11.1
	80	74	273.7	13.2	266.2	12.9	257.7	12.5	242.4	11.7	227.1	11.0	217.2	10.5
50%	-13	-14	212.2	23.8	211.7	24.4	211.2	25.1	202.0	24.7	189.2	23.9	181.0	23.4
	-8	-9	219.5	24.6	218.9	25.3	214.8	25.5	202.0	24.7	189.2	23.9	181.0	23.4
	-3	-4	231.9	25.8	226.8	26.0	214.8	25.3	202.0	24.6	189.2	23.8	181.0	23.2
	2	1	237.9	26.2	226.8	25.7	214.8	25.0	202.0	24.2	189.2	23.4	181.0	22.9
	7	6	238.6	25.8	226.8	25.2	214.8	24.5	202.0	23.8	189.2	23.0	181.0	22.4
	12	10	239.0	25.2	226.8	24.6	214.8	23.9	202.0	23.2	189.2	22.4	181.0	21.8
	17	15	238.2	24.4	226.8	23.9	214.8	23.2	202.0	22.5	189.2	21.7	181.0	21.1
	22	20	236.1	23.4	226.8	23.1	214.8	22.4	202.0	21.6	189.2	20.9	181.0	20.3
	27	24	232.2	22.2	226.8	22.2	214.8	21.5	202.0	20.8	189.2	20.0	181.0	19.5
	32	29	226.6	20.7	226.8	21.3	214.8	20.6	202.0	19.9	189.2	18.9	181.0	17.8
	37	34	219.3	19.2	226.8	20.3	214.8	19.7	202.0	18.5	189.2	17.0	181.0	16.1
	42	38	217.3	18.1	226.8	19.3	214.8	18.1	202.0	16.7	189.2	15.4	181.0	14.6
	47	43	220.4	17.3	226.8	17.6	214.8	16.4	202.0	15.3	189.2	14.1	181.0	13.4
	52	47	222.8	15.9	226.8	16.1	214.8	15.1	202.0	14.0	189.2	13.0	181.0	12.4
	57	52	224.6	14.8	226.8	14.8	214.8	13.9	202.0	13.0	189.2	12.1	181.0	11.5
	62	56	225.8	13.7	226.8	13.7	214.8	12.9	202.0	12.1	189.2	11.3	181.0	10.7
	67	61	226.6	12.8	226.8	12.8	214.8	12.0	202.0	11.3	189.2	10.5	181.0	10.1
	72	66	227.2	12.0	226.8	11.9	214.8	11.3	202.0	10.6	189.2	9.9	181.0	9.5
	75	69	227.5	11.5	226.8	11.5	214.8	10.9	202.0	10.2	189.2	9.6	181.0	9.1
	80	74	228.0	10.9	226.8	10.8	214.8	10.3	202.0	9.7	189.2	9.0	181.0	8.7

NOTE - Power Input = Compressor + Outdoor Fan Motor.  
 MBH = 1000 BTUs per hour.

# COOLING CAPACITY - TWO MODULE | VRB384H4

Combination (%)	Outdoor Temperature °F (Dry Bulb)	Indoor Temperature - °F (Dry Bulb / Wet Bulb)											
		67 / 57		71 / 60		75 / 63		80 / 67		85 / 71		90 / 75	
		Total Cap.	Power Input	Total Cap.	Power Input	Total Cap.	Power Input	Total Cap.	Power Input	Total Cap.	Power Input	Total Cap.	Power Input
		MBH	kW	MBH	kW	MBH	kW	MBH	kW	MBH	kW	MBH	kW
130%	-10	294.3	12.2	357.6	15.0	417.2	17.7	499.2	21.6	584.9	25.9	642.9	29.2
	-5	294.3	13.0	357.6	16.0	417.2	18.8	499.2	23.0	584.9	27.5	609.2	29.4
	10	294.3	13.3	357.6	16.3	417.2	19.3	499.2	23.5	584.9	28.1	597.4	29.4
	15	294.3	13.6	357.6	16.7	417.2	19.7	499.2	24.0	576.6	28.3	584.2	29.4
	20	294.3	13.9	357.6	17.0	417.2	20.1	499.2	24.5	563.3	28.3	571.0	29.4
	25	294.3	14.2	357.6	17.4	417.2	20.6	499.2	25.1	549.4	28.2	557.1	29.3
	30	294.3	14.5	357.6	17.8	417.2	21.1	499.2	25.7	536.2	28.2	543.9	29.3
	35	294.3	14.9	357.6	18.3	417.2	21.6	499.2	26.3	523.6	28.2	531.3	29.3
	40	294.3	15.2	357.6	18.7	417.2	22.1	499.2	26.9	515.6	28.4	523.2	29.5
	45	294.3	15.6	357.6	19.2	417.2	22.6	499.2	27.6	512.3	28.9	519.9	30.1
	50	294.3	16.0	357.6	19.7	417.2	23.2	499.2	28.3	509.7	29.5	517.4	30.7
	55	294.3	16.4	357.6	20.2	417.2	23.8	499.2	29.1	507.8	30.2	515.4	31.4
	60	294.3	16.9	357.6	20.7	417.2	24.5	499.2	29.8	508.5	31.1	513.9	32.2
	65	294.3	17.3	357.6	21.3	417.2	25.2	499.2	30.7	502.6	31.6	512.3	33.0
	70	294.3	18.9	357.6	23.2	417.2	27.4	499.2	33.4	500.6	34.2	510.2	35.7
	75	294.3	20.7	357.6	25.4	417.2	30.0	489.7	35.9	497.4	37.3	507.0	38.9
	80	294.3	22.7	357.6	27.9	417.2	33.0	484.8	39.1	492.5	40.6	501.9	42.3
	85	294.3	24.9	357.6	30.7	417.2	36.2	477.3	42.2	485.0	43.8	494.3	45.8
	90	294.3	27.3	357.6	33.6	417.2	39.7	466.3	45.2	474.0	46.9	483.1	49.0
	95	294.3	29.9	357.6	36.7	417.2	43.3	425.5	45.0	433.1	46.8	440.8	48.8
100	294.3	32.4	357.6	39.9	397.2	44.8	404.9	46.6	412.5	48.5	420.5	50.6	
105	294.3	35.0	357.6	43.1	367.2	44.8	374.9	46.5	386.1	49.0	393.5	51.1	
110	294.3	37.5	321.3	41.4	329.0	42.9	341.6	45.4	351.8	47.8	358.5	49.9	
115	271.0	36.5	278.7	38.0	288.3	39.8	299.4	42.1	308.3	44.3	314.2	46.3	
118	239.6	33.2	250.2	35.1	258.8	36.7	268.8	38.8	276.8	40.9	282.1	42.7	
125	162.6	23.5	169.8	24.8	175.7	26.0	182.5	27.5	187.9	29.0	191.5	30.2	
120%	-10	271.7	11.1	330.1	13.7	385.1	16.1	460.8	19.6	539.9	23.5	615.5	27.5
	-5	271.7	11.8	330.1	14.5	385.1	17.1	460.8	20.9	539.9	25.0	599.0	28.4
	10	271.7	12.1	330.1	14.8	385.1	17.5	460.8	21.3	539.9	25.5	587.2	28.5
	15	271.7	12.3	330.1	15.1	385.1	17.9	460.8	21.8	539.9	26.1	574.1	28.4
	20	271.7	12.6	330.1	15.5	385.1	18.3	460.8	22.3	539.9	26.7	560.9	28.4
	25	271.7	12.9	330.1	15.8	385.1	18.7	460.8	22.8	539.9	27.3	547.2	28.3
	30	271.7	13.2	330.1	16.2	385.1	19.1	460.8	23.3	526.4	27.2	534.0	28.3
	35	271.7	13.5	330.1	16.6	385.1	19.6	460.8	23.9	513.9	27.2	521.5	28.3
	40	271.7	13.8	330.1	17.0	385.1	20.1	460.8	24.5	505.7	27.4	513.4	28.5
	45	271.7	14.2	330.1	17.4	385.1	20.6	460.8	25.1	502.4	28.0	510.1	29.1
	50	271.7	14.5	330.1	17.9	385.1	21.1	460.8	25.7	499.9	28.5	507.6	29.7
	55	271.7	14.9	330.1	18.3	385.1	21.7	460.8	26.4	498.0	29.2	505.7	30.3
	60	271.7	15.3	330.1	18.8	385.1	22.3	460.8	27.1	498.4	30.0	504.2	31.1
	65	271.7	15.8	330.1	19.4	385.1	22.9	460.8	27.9	493.1	30.5	502.6	31.8
	70	271.7	17.1	330.1	21.1	385.1	24.9	460.8	30.3	491.1	33.0	500.5	34.5
	75	271.7	18.8	330.1	23.1	385.1	27.3	460.8	33.3	488.0	36.0	497.4	37.6
	80	271.7	20.7	330.1	25.4	385.1	30.0	460.8	36.5	483.2	39.2	492.5	40.9
	85	271.7	22.7	330.1	27.9	385.1	32.9	460.8	40.1	475.8	42.3	485.0	44.2
	90	271.7	24.8	330.1	30.5	385.1	36.0	460.8	43.9	465.0	45.3	474.0	47.3
	95	271.7	27.1	330.1	33.3	385.1	39.4	425.5	44.3	433.1	46.1	440.8	48.1
100	271.7	29.5	330.1	36.2	385.1	42.8	404.9	45.8	412.5	47.7	420.5	49.8	
105	271.7	31.8	330.1	39.1	367.2	44.1	374.9	45.8	386.1	48.2	393.5	50.4	
110	271.7	34.1	321.3	40.8	329.0	42.2	341.6	44.7	351.8	47.0	358.5	49.1	
115	271.7	36.0	278.7	37.4	288.3	39.2	299.4	41.4	308.3	43.6	314.2	45.5	
118	239.6	32.7	250.2	34.5	258.8	36.2	268.8	38.2	276.8	40.3	282.1	42.0	
125	162.6	23.1	169.8	24.4	175.7	25.6	182.5	27.1	187.9	28.5	191.5	29.8	

NOTE - Power Input = Compressor + Outdoor Fan Motor.  
 MBH = 1000 BTUs per hour.

# COOLING CAPACITY - TWO MODULE | VRB384H4

Combination (%)	Outdoor Temperature °F (Dry Bulb)	Indoor Temperature - °F (Dry Bulb / Wet Bulb)											
		67 / 57		71 / 60		75 / 63		80 / 67		85 / 71		90 / 75	
		Total Cap.	Power Input	Total Cap.	Power Input	Total Cap.	Power Input	Total Cap.	Power Input	Total Cap.	Power Input	Total Cap.	Power Input
		MBH	KW	MBH	KW	MBH	KW	MBH	KW	MBH	KW	MBH	KW
110%	-10	249.0	10.0	302.6	12.3	353.1	14.6	422.4	17.7	494.9	21.2	564.3	24.8
	-5	249.0	10.7	302.6	13.1	353.1	15.5	422.4	18.8	494.9	22.6	564.3	26.4
	10	249.0	10.9	302.6	13.4	353.1	15.8	422.4	19.3	494.9	23.1	564.3	26.9
	15	249.0	11.1	302.6	13.7	353.1	16.1	422.4	19.7	494.9	23.6	564.0	27.5
	20	249.0	11.4	302.6	14.0	353.1	16.5	422.4	20.1	494.9	24.1	550.9	27.5
	25	249.0	11.6	302.6	14.3	353.1	16.9	422.4	20.6	494.9	24.6	537.3	27.4
	30	249.0	11.9	302.6	14.6	353.1	17.3	422.4	21.1	494.9	25.2	524.2	27.4
	35	249.0	12.2	302.6	15.0	353.1	17.7	422.4	21.6	494.9	25.8	511.8	27.3
	40	249.0	12.5	302.6	15.3	353.1	18.1	422.4	22.1	494.9	26.5	503.5	27.6
	45	249.0	12.8	302.6	15.7	353.1	18.6	422.4	22.6	494.9	27.1	500.3	28.1
	50	249.0	13.1	302.6	16.1	353.1	19.1	422.4	23.2	494.9	27.8	497.9	28.7
	55	249.0	13.5	302.6	16.6	353.1	19.6	422.4	23.8	494.9	28.5	496.0	29.3
	60	249.0	13.8	302.6	17.0	353.1	20.1	422.4	24.5	488.2	28.9	494.5	30.0
	65	249.0	14.2	302.6	17.5	353.1	20.6	422.4	25.2	483.7	29.5	492.9	30.8
	70	249.0	15.5	302.6	19.0	353.1	22.5	422.4	27.4	481.7	31.9	490.9	33.3
	75	249.0	17.0	302.6	20.9	353.1	24.7	422.4	30.0	478.6	34.8	487.8	36.3
	80	249.0	18.7	302.6	22.9	353.1	27.1	422.4	33.0	473.9	37.8	483.0	39.5
	85	249.0	20.5	302.6	25.2	353.1	29.7	422.4	36.2	466.7	40.9	475.6	42.7
	90	249.0	22.4	302.6	27.6	353.1	32.5	422.4	39.7	456.1	43.8	464.9	45.7
	95	249.0	24.5	302.6	30.1	353.1	35.5	422.4	43.3	433.1	45.4	440.8	47.3
100	249.0	26.6	302.6	32.7	353.1	38.6	411.2	45.8	412.5	47.0	420.5	49.1	
105	249.0	28.7	302.6	35.3	353.1	41.7	374.9	45.1	386.1	47.5	393.5	49.6	
110	249.0	30.8	302.6	37.8	329.0	41.6	341.6	44.0	351.8	46.3	358.5	48.4	
115	249.0	32.5	278.7	36.8	288.3	38.6	299.4	40.8	308.3	43.0	314.2	44.8	
118	239.6	32.2	250.2	34.0	258.8	35.6	268.8	37.7	276.8	39.7	282.1	41.4	
125	162.6	22.8	169.8	24.1	175.7	25.2	182.5	26.7	187.9	28.1	191.5	29.3	
100%	-10	226.4	9.0	275.1	11.0	321.0	13.0	384.0	15.9	449.9	19.0	513.0	22.2
	-5	226.4	9.5	275.1	11.7	321.0	13.8	384.0	16.9	449.9	20.2	513.0	23.6
	10	226.4	9.7	275.1	12.0	321.0	14.1	384.0	17.2	449.9	20.7	513.0	24.1
	15	226.4	10.0	275.1	12.2	321.0	14.5	384.0	17.6	449.9	21.1	513.0	24.6
	20	226.4	10.2	275.1	12.5	321.0	14.8	384.0	18.0	449.9	21.6	512.5	25.2
	25	226.4	10.4	275.1	12.8	321.0	15.1	384.0	18.4	449.9	22.1	507.1	25.5
	30	226.4	10.7	275.1	13.1	321.0	15.5	384.0	18.8	449.9	22.6	502.1	25.8
	35	226.4	10.9	275.1	13.4	321.0	15.8	384.0	19.3	449.9	23.1	497.5	26.2
	40	226.4	11.2	275.1	13.7	321.0	16.2	384.0	19.8	449.9	23.7	493.6	26.6
	45	226.4	11.5	275.1	14.1	321.0	16.6	384.0	20.3	449.9	24.3	490.5	27.1
	50	226.4	11.8	275.1	14.4	321.0	17.1	384.0	20.8	449.9	24.9	488.1	27.7
	55	226.4	12.1	275.1	14.8	321.0	17.5	384.0	21.3	449.9	25.6	486.3	28.3
	60	226.4	12.4	275.1	15.2	321.0	18.0	384.0	21.9	449.9	26.3	484.8	29.0
	65	226.4	12.7	275.1	15.7	321.0	18.5	384.0	22.5	449.9	27.0	483.3	29.7
	70	226.4	13.9	275.1	17.0	321.0	20.1	384.0	24.5	449.9	29.4	481.3	32.2
	75	226.4	15.2	275.1	18.7	321.0	22.1	384.0	26.9	449.9	32.2	478.3	35.1
	80	226.4	16.7	275.1	20.5	321.0	24.2	384.0	29.5	449.9	35.4	473.5	38.1
	85	226.4	18.3	275.1	22.5	321.0	26.6	384.0	32.4	449.9	38.8	466.3	41.2
	90	226.4	20.1	275.1	24.7	321.0	29.1	384.0	35.5	447.2	42.3	455.7	44.1
	95	226.4	21.9	275.1	27.0	321.0	31.8	<b>384.0</b>	<b>38.8</b>	432.5	44.7	440.8	46.6
100	226.4	23.8	275.1	29.3	321.0	34.6	384.0	42.2	412.5	46.3	420.5	48.3	
105	226.4	25.7	275.1	31.6	321.0	37.4	374.9	44.5	386.1	46.8	393.5	48.8	
110	226.4	27.5	275.1	33.9	321.0	40.0	341.6	43.3	351.8	45.6	358.5	47.6	
115	226.4	29.1	275.1	35.8	288.3	38.0	299.4	40.2	308.3	42.3	314.2	44.2	
118	226.4	30.0	250.2	33.5	258.8	35.1	268.8	37.1	276.8	39.1	282.1	40.8	
125	162.6	22.5	169.8	23.7	175.7	24.8	182.5	26.3	187.9	27.7	191.5	28.9	

NOTE - Power Input = Compressor + Outdoor Fan Motor.  
MBH = 1000 BTUs per hour.

# COOLING CAPACITY - TWO MODULE | VRB384H4

Combination (%)	Outdoor Temperature °F (Dry Bulb)	Indoor Temperature - °F (Dry Bulb / Wet Bulb)											
		67 / 57		71 / 60		75 / 63		80 / 67		85 / 71		90 / 75	
		Total Cap.	Power Input	Total Cap.	Power Input	Total Cap.	Power Input	Total Cap.	Power Input	Total Cap.	Power Input	Total Cap.	Power Input
		MBH	kW	MBH	kW	MBH	kW	MBH	kW	MBH	kW	MBH	kW
90%	-10	203.7	8.0	247.6	9.8	288.9	11.6	345.6	14.1	404.9	16.9	461.7	19.7
	-5	203.7	8.5	247.6	10.4	288.9	12.3	345.6	15.0	404.9	17.9	461.7	20.9
	10	203.7	8.6	247.6	10.6	288.9	12.5	345.6	15.3	404.9	18.3	461.7	21.4
	15	203.7	8.8	247.6	10.9	288.9	12.8	345.6	15.6	404.9	18.7	461.7	21.9
	20	203.7	9.0	247.6	11.1	288.9	13.1	345.6	16.0	404.9	19.1	461.7	22.3
	25	203.7	9.2	247.6	11.3	288.9	13.4	345.6	16.3	404.9	19.6	461.7	22.8
	30	203.7	9.4	247.6	11.6	288.9	13.7	345.6	16.7	404.9	20.0	461.7	23.4
	35	203.7	9.7	247.6	11.9	288.9	14.0	345.6	17.1	404.9	20.5	461.7	23.9
	40	203.7	9.9	247.6	12.2	288.9	14.4	345.6	17.5	404.9	21.0	461.7	24.5
	45	203.7	10.2	247.6	12.5	288.9	14.7	345.6	18.0	404.9	21.5	461.7	25.1
	50	203.7	10.4	247.6	12.8	288.9	15.1	345.6	18.4	404.9	22.1	461.7	25.8
	55	203.7	10.7	247.6	13.1	288.9	15.5	345.6	18.9	404.9	22.7	461.7	26.5
	60	203.7	11.0	247.6	13.5	288.9	15.9	345.6	19.4	404.9	23.3	461.7	27.2
	65	203.7	11.3	247.6	13.9	288.9	16.4	345.6	20.0	404.9	23.9	461.7	27.9
	70	203.7	12.3	247.6	15.1	288.9	17.8	345.6	21.7	404.9	26.0	461.7	30.4
	75	203.7	13.5	247.6	16.6	288.9	19.6	345.6	23.9	404.9	28.6	461.7	33.4
	80	203.7	14.8	247.6	18.2	288.9	21.5	345.6	26.2	404.9	31.4	461.7	36.6
	85	203.7	16.2	247.6	20.0	288.9	23.6	345.6	28.7	404.9	34.4	457.0	39.8
	90	203.7	17.8	247.6	21.9	288.9	25.8	345.6	31.5	404.9	37.7	446.6	42.6
	95	203.7	19.4	247.6	23.9	288.9	28.2	345.6	34.4	404.9	41.2	440.8	45.9
100	203.7	21.1	247.6	26.0	288.9	30.7	345.6	37.4	404.3	44.7	420.5	47.6	
105	203.7	22.8	247.6	28.1	288.9	33.1	345.6	40.4	386.1	46.1	393.5	48.1	
110	203.7	24.4	247.6	30.0	288.9	35.4	341.6	42.7	351.8	45.0	358.5	46.9	
115	203.7	25.8	247.6	31.8	288.3	37.4	299.4	39.6	308.3	41.7	314.2	43.5	
118	203.7	26.6	247.6	32.7	258.8	34.5	268.8	36.6	276.8	38.5	282.1	40.2	
125	162.6	22.1	169.8	23.4	175.7	24.5	182.5	25.9	187.9	27.2	191.5	28.4	
80%	-10	181.1	7.0	220.1	8.6	256.8	10.1	307.2	12.3	359.9	14.8	410.4	17.3
	-5	181.1	7.4	220.1	9.1	256.8	10.8	307.2	13.1	359.9	15.7	410.4	18.3
	10	181.1	7.6	220.1	9.3	256.8	11.0	307.2	13.4	359.9	16.0	410.4	18.7
	15	181.1	7.7	220.1	9.5	256.8	11.2	307.2	13.7	359.9	16.4	410.4	19.1
	20	181.1	7.9	220.1	9.7	256.8	11.5	307.2	14.0	359.9	16.7	410.4	19.6
	25	181.1	8.1	220.1	9.9	256.8	11.7	307.2	14.3	359.9	17.1	410.4	20.0
	30	181.1	8.3	220.1	10.2	256.8	12.0	307.2	14.6	359.9	17.5	410.4	20.5
	35	181.1	8.5	220.1	10.4	256.8	12.3	307.2	15.0	359.9	18.0	410.4	21.0
	40	181.1	8.7	220.1	10.7	256.8	12.6	307.2	15.4	359.9	18.4	410.4	21.5
	45	181.1	8.9	220.1	10.9	256.8	12.9	307.2	15.7	359.9	18.9	410.4	22.0
	50	181.1	9.1	220.1	11.2	256.8	13.2	307.2	16.1	359.9	19.3	410.4	22.6
	55	181.1	9.4	220.1	11.5	256.8	13.6	307.2	16.6	359.9	19.9	410.4	23.2
	60	181.1	9.6	220.1	11.8	256.8	14.0	307.2	17.0	359.9	20.4	410.4	23.8
	65	181.1	9.9	220.1	12.2	256.8	14.4	307.2	17.5	359.9	21.0	410.4	24.5
	70	181.1	10.8	220.1	13.2	256.8	15.6	307.2	19.0	359.9	22.8	410.4	26.6
	75	181.1	11.8	220.1	14.5	256.8	17.1	307.2	20.9	359.9	25.0	410.4	29.2
	80	181.1	13.0	220.1	15.9	256.8	18.8	307.2	22.9	359.9	27.5	410.4	32.1
	85	181.1	14.2	220.1	17.5	256.8	20.7	307.2	25.2	359.9	30.2	410.4	35.2
	90	181.1	15.6	220.1	19.2	256.8	22.6	307.2	27.6	359.9	33.0	410.4	38.6
	95	181.1	17.0	220.1	20.9	256.8	24.7	307.2	30.1	359.9	36.1	410.4	42.1
100	181.1	18.5	220.1	22.8	256.8	26.9	307.2	32.8	359.9	39.2	410.4	45.8	
105	181.1	20.0	220.1	24.6	256.8	29.0	307.2	35.4	359.9	42.4	393.5	47.4	
110	181.1	21.4	220.1	26.3	256.8	31.0	307.2	37.8	351.8	44.3	358.5	46.2	
115	181.1	22.6	220.1	27.8	256.8	32.8	299.4	39.0	308.3	41.1	314.2	42.9	
118	181.1	23.3	220.1	28.6	256.8	33.8	268.8	36.0	276.8	37.9	282.1	39.6	
125	162.6	21.8	169.8	23.0	175.7	24.1	182.5	25.5	187.9	26.8	191.5	28.0	

NOTE - Power Input = Compressor + Outdoor Fan Motor.  
MBH = 1000 BTUs per hour.

# COOLING CAPACITY - TWO MODULE | VRB384H4

Combination (%)	Outdoor Temperature °F (Dry Bulb)	Indoor Temperature - °F (Dry Bulb / Wet Bulb)											
		67 / 57		71 / 60		75 / 63		80 / 67		85 / 71		90 / 75	
		Total Cap.	Power Input	Total Cap.	Power Input	Total Cap.	Power Input	Total Cap.	Power Input	Total Cap.	Power Input	Total Cap.	Power Input
		MBH	KW	MBH	KW	MBH	KW	MBH	KW	MBH	KW	MBH	KW
70%	-10	158.5	6.0	192.6	7.4	224.7	8.7	268.8	10.6	314.9	12.7	359.1	14.9
	-5	158.5	6.4	192.6	7.9	224.7	9.3	268.8	11.3	314.9	13.5	359.1	15.8
	10	158.5	6.5	192.6	8.0	224.7	9.5	268.8	11.5	314.9	13.8	359.1	16.2
	15	158.5	6.7	192.6	8.2	224.7	9.7	268.8	11.8	314.9	14.1	359.1	16.5
	20	158.5	6.8	192.6	8.4	224.7	9.9	268.8	12.1	314.9	14.4	359.1	16.9
	25	158.5	7.0	192.6	8.6	224.7	10.1	268.8	12.3	314.9	14.8	359.1	17.3
	30	158.5	7.1	192.6	8.8	224.7	10.4	268.8	12.6	314.9	15.1	359.1	17.7
	35	158.5	7.3	192.6	9.0	224.7	10.6	268.8	12.9	314.9	15.5	359.1	18.1
	40	158.5	7.5	192.6	9.2	224.7	10.9	268.8	13.2	314.9	15.9	359.1	18.5
	45	158.5	7.7	192.6	9.4	224.7	11.1	268.8	13.6	314.9	16.3	359.1	19.0
	50	158.5	7.9	192.6	9.7	224.7	11.4	268.8	13.9	314.9	16.7	359.1	19.5
	55	158.5	8.1	192.6	9.9	224.7	11.7	268.8	14.3	314.9	17.1	359.1	20.0
	60	158.5	8.3	192.6	10.2	224.7	12.0	268.8	14.7	314.9	17.6	359.1	20.5
	65	158.5	8.5	192.6	10.5	224.7	12.4	268.8	15.1	314.9	18.1	359.1	21.1
	70	158.5	9.3	192.6	11.4	224.7	13.5	268.8	16.4	314.9	19.7	359.1	23.0
	75	158.5	10.2	192.6	12.5	224.7	14.8	268.8	18.0	314.9	21.6	359.1	25.2
	80	158.5	11.2	192.6	13.8	224.7	16.2	268.8	19.8	314.9	23.7	359.1	27.7
	85	158.5	12.3	192.6	15.1	224.7	17.8	268.8	21.7	314.9	26.0	359.1	30.4
	90	158.5	13.4	192.6	16.5	224.7	19.5	268.8	23.8	314.9	28.5	359.1	33.3
	95	158.5	14.7	192.6	18.1	224.7	21.3	268.8	26.0	314.9	31.1	359.1	36.3
100	158.5	16.0	192.6	19.6	224.7	23.2	268.8	28.2	314.9	33.8	359.1	39.5	
105	158.5	17.2	192.6	21.2	224.7	25.0	268.8	30.5	314.9	36.5	359.1	42.7	
110	158.5	18.4	192.6	22.7	224.7	26.8	268.8	32.6	314.9	39.1	358.5	45.6	
115	158.5	19.5	192.6	24.0	224.7	28.3	268.8	34.5	308.3	40.5	314.2	42.3	
118	158.5	20.1	192.6	24.7	224.7	29.1	268.8	35.5	276.8	37.4	282.1	39.0	
125	152.9	20.2	169.8	22.7	175.7	23.8	182.5	25.1	187.9	26.5	191.5	27.6	
60%	-10	135.8	5.1	165.1	6.2	192.6	7.4	230.4	9.0	269.9	10.8	307.8	12.6
	-5	135.8	5.4	165.1	6.6	192.6	7.8	230.4	9.6	269.9	11.4	307.8	13.4
	10	135.8	5.5	165.1	6.8	192.6	8.0	230.4	9.8	269.9	11.7	307.8	13.7
	15	135.8	5.6	165.1	6.9	192.6	8.2	230.4	10.0	269.9	11.9	307.8	14.0
	20	135.8	5.8	165.1	7.1	192.6	8.4	230.4	10.2	269.9	12.2	307.8	14.3
	25	135.8	5.9	165.1	7.2	192.6	8.6	230.4	10.4	269.9	12.5	307.8	14.6
	30	135.8	6.0	165.1	7.4	192.6	8.8	230.4	10.7	269.9	12.8	307.8	14.9
	35	135.8	6.2	165.1	7.6	192.6	9.0	230.4	10.9	269.9	13.1	307.8	15.3
	40	135.8	6.3	165.1	7.8	192.6	9.2	230.4	11.2	269.9	13.4	307.8	15.7
	45	135.8	6.5	165.1	8.0	192.6	9.4	230.4	11.5	269.9	13.7	307.8	16.0
	50	135.8	6.7	165.1	8.2	192.6	9.7	230.4	11.8	269.9	14.1	307.8	16.5
	55	135.8	6.8	165.1	8.4	192.6	9.9	230.4	12.1	269.9	14.5	307.8	16.9
	60	135.8	7.0	165.1	8.6	192.6	10.2	230.4	12.4	269.9	14.9	307.8	17.4
	65	135.8	7.2	165.1	8.9	192.6	10.5	230.4	12.8	269.9	15.3	307.8	17.8
	70	135.8	7.8	165.1	9.6	192.6	11.4	230.4	13.9	269.9	16.6	307.8	19.4
	75	135.8	8.6	165.1	10.6	192.6	12.5	230.4	15.2	269.9	18.2	307.8	21.3
	80	135.8	9.5	165.1	11.6	192.6	13.7	230.4	16.7	269.9	20.0	307.8	23.4
	85	135.8	10.4	165.1	12.8	192.6	15.1	230.4	18.3	269.9	22.0	307.8	25.7
	90	135.8	11.4	165.1	14.0	192.6	16.5	230.4	20.1	269.9	24.1	307.8	28.1
	95	135.8	12.4	165.1	15.3	192.6	18.0	230.4	22.0	269.9	26.3	307.8	30.7
100	135.8	13.5	165.1	16.6	192.6	19.6	230.4	23.9	269.9	28.6	307.8	33.4	
105	135.8	14.6	165.1	17.9	192.6	21.1	230.4	25.8	269.9	30.9	307.8	36.0	
110	135.8	15.6	165.1	19.2	192.6	22.6	230.4	27.6	269.9	33.0	307.8	38.6	
115	135.8	16.5	165.1	20.3	192.6	23.9	230.4	29.2	269.9	34.9	307.8	40.8	
118	135.8	17.0	165.1	20.8	192.6	24.6	230.4	30.0	269.9	35.9	282.1	38.5	
125	135.8	17.7	165.1	21.7	175.7	23.4	182.5	24.8	187.9	26.1	191.5	27.2	

NOTE - Power Input = Compressor + Outdoor Fan Motor.  
MBH = 1000 BTUs per hour.



## COOLING CAPACITY - TWO MODULE | VRB384H4

Combination (%)	Outdoor Temperature °F (Dry Bulb)	Indoor Temperature - °F (Dry Bulb / Wet Bulb)											
		67 / 57		71 / 60		75 / 63		80 / 67		85 / 71		90 / 75	
		Total Cap.	Power Input	Total Cap.	Power Input	Total Cap.	Power Input	Total Cap.	Power Input	Total Cap.	Power Input	Total Cap.	Power Input
		MBH	kW	MBH	kW	MBH	kW	MBH	kW	MBH	kW	MBH	kW
50%	-10	104.4	3.9	137.6	5.1	160.5	6.1	192.0	7.4	225.0	8.8	256.5	10.3
	-5	113.2	4.4	137.6	5.5	160.5	6.4	192.0	7.9	225.0	9.4	256.5	11.0
	10	113.2	4.5	137.6	5.6	160.5	6.6	192.0	8.0	225.0	9.6	256.5	11.2
	15	113.2	4.6	137.6	5.7	160.5	6.7	192.0	8.2	225.0	9.8	256.5	11.5
	20	113.2	4.7	137.6	5.8	160.5	6.9	192.0	8.4	225.0	10.0	256.5	11.7
	25	113.2	4.8	137.6	6.0	160.5	7.0	192.0	8.6	225.0	10.3	256.5	12.0
	30	113.2	5.0	137.6	6.1	160.5	7.2	192.0	8.8	225.0	10.5	256.5	12.3
	35	113.2	5.1	137.6	6.2	160.5	7.4	192.0	9.0	225.0	10.8	256.5	12.6
	40	113.2	5.2	137.6	6.4	160.5	7.5	192.0	9.2	225.0	11.0	256.5	12.9
	45	113.2	5.3	137.6	6.6	160.5	7.7	192.0	9.4	225.0	11.3	256.5	13.2
	50	113.2	5.5	137.6	6.7	160.5	7.9	192.0	9.7	225.0	11.6	256.5	13.5
	55	113.2	5.6	137.6	6.9	160.5	8.1	192.0	9.9	225.0	11.9	256.5	13.9
	60	113.2	5.8	137.6	7.1	160.5	8.4	192.0	10.2	225.0	12.2	256.5	14.3
	65	113.2	5.9	137.6	7.3	160.5	8.6	192.0	10.5	225.0	12.6	256.5	14.7
	70	113.2	6.4	137.6	7.9	160.5	9.4	192.0	11.4	225.0	13.7	256.5	15.9
	75	113.2	7.1	137.6	8.7	160.5	10.3	192.0	12.5	225.0	15.0	256.5	17.5
	80	113.2	7.8	137.6	9.5	160.5	11.3	192.0	13.7	225.0	16.5	256.5	19.2
	85	113.2	8.5	137.6	10.5	160.5	12.4	192.0	15.1	225.0	18.1	256.5	21.1
90	113.2	9.3	137.6	11.5	160.5	13.6	192.0	16.5	225.0	19.8	256.5	23.1	
95	113.2	10.2	137.6	12.5	160.5	14.8	192.0	18.0	225.0	21.6	256.5	25.2	
100	113.2	11.1	137.6	13.6	160.5	16.1	192.0	19.6	225.0	23.5	256.5	27.4	
105	113.2	12.0	137.6	14.7	160.5	17.4	192.0	21.2	225.0	25.4	256.5	29.6	
110	113.2	12.8	137.6	15.7	160.5	18.6	192.0	22.7	225.0	27.1	256.5	31.7	
115	113.2	13.6	137.6	16.7	160.5	19.7	192.0	24.0	225.0	28.7	256.5	33.5	
118	113.2	13.9	137.6	17.1	160.5	20.2	192.0	24.7	225.0	29.5	256.5	34.5	
125	113.2	14.5	137.6	17.9	160.5	21.1	182.5	24.4	187.9	25.7	191.5	26.9	

NOTE - Power Input = Compressor + Outdoor Fan Motor.  
 MBH = 1000 BTUs per hour.

# HEATING CAPACITY - TWO MODULE | VRB384H4

Combination (%)	Outdoor Temperature (°F)		Indoor Temperature - °F Dry Bulb											
			61		64		67		70		73		75	
	Dry Bulb	Wet Bulb	Total Cap.	Power Input	Total Cap.	Power Input	Total Cap.	Power Input	Total Cap.	Power Input	Total Cap.	Power Input	Total Cap.	Power Input
			MBH	kW	MBH	kW	MBH	kW	MBH	kW	MBH	kW	MBH	kW
130%	-13	-14	232.8	29.5	232.2	30.3	231.7	31.1	231.1	32.0	230.5	33.0	230.1	33.6
	-8	-9	239.3	30.3	238.6	31.1	238.1	32.0	237.5	32.9	236.8	33.9	236.4	34.6
	-3	-4	251.7	31.7	251.1	32.6	250.5	33.4	249.8	34.4	249.2	35.4	248.8	36.1
	2	1	268.7	33.4	268.0	34.3	267.4	35.2	266.7	36.2	266.0	37.3	265.6	38.0
	7	6	288.8	35.3	288.0	36.2	287.3	37.1	286.6	38.1	285.8	39.2	285.4	40.0
	12	10	310.6	37.1	309.8	38.0	309.1	38.9	308.3	40.0	307.5	41.1	306.9	41.9
	17	15	333.1	38.6	332.3	39.6	331.5	40.5	330.6	41.6	329.8	42.7	329.2	43.4
	22	20	355.4	39.8	354.5	40.8	353.6	41.7	352.7	42.8	351.8	43.9	351.2	44.6
	27	24	376.6	40.6	375.7	41.6	374.8	42.5	373.8	43.5	372.8	44.6	372.2	45.3
	32	29	396.2	41.0	395.2	41.9	394.2	42.8	393.2	43.7	392.4	44.4	391.5	43.6
	37	34	413.6	40.9	412.6	41.8	411.6	42.6	410.7	42.6	409.8	41.7	409.0	41.0
	42	38	428.6	40.4	427.7	41.3	426.8	40.7	426.0	39.9	425.1	39.2	424.2	38.7
	47	43	455.1	40.5	454.3	39.8	453.4	39.3	452.5	38.7	451.7	38.1	450.8	37.7
	52	47	501.1	40.6	500.2	40.1	499.4	39.6	498.5	39.2	497.6	38.7	496.8	38.4
	57	52	545.7	40.6	544.8	40.2	543.9	39.8	543.1	39.5	526.1	37.9	503.1	36.1
	62	56	588.6	40.4	587.8	40.2	586.9	39.9	561.6	38.0	526.1	35.4	503.1	33.7
	67	61	630.1	40.2	629.2	40.0	597.1	37.9	561.6	35.5	526.1	33.1	503.1	31.6
	72	66	666.0	39.7	630.5	37.5	597.1	35.5	561.6	33.3	526.1	31.2	503.1	29.8
	75	69	666.0	38.2	630.5	36.1	597.1	34.2	561.6	32.1	526.1	30.1	503.1	28.7
	80	74	666.0	35.9	630.5	34.0	597.1	32.3	561.6	30.3	526.1	28.4	503.1	27.2
120%	-13	-14	231.9	28.9	231.3	29.7	230.7	30.5	230.1	31.4	229.5	32.3	229.2	33.0
	-8	-9	238.3	29.7	237.7	30.5	237.1	31.3	236.5	32.3	235.9	33.2	235.5	33.9
	-3	-4	250.7	31.1	250.1	31.9	249.5	32.8	248.9	33.7	248.2	34.7	247.8	35.4
	2	1	267.7	32.8	267.0	33.7	266.3	34.5	265.6	35.5	265.0	36.5	264.5	37.3
	7	6	287.6	34.6	286.9	35.5	286.2	36.4	285.5	37.4	284.7	38.5	284.2	39.2
	12	10	309.4	36.3	308.6	37.3	307.8	38.2	307.0	39.2	306.2	40.3	305.7	41.0
	17	15	331.8	37.9	331.0	38.8	330.2	39.7	329.3	40.8	328.5	41.8	327.9	42.6
	22	20	354.0	39.1	353.1	40.0	352.2	40.9	351.3	41.9	350.4	43.0	349.8	43.7
	27	24	375.2	39.9	374.2	40.8	373.3	41.7	372.3	42.6	371.4	43.7	370.8	44.4
	32	29	394.6	40.2	393.6	41.1	392.7	41.9	391.7	42.9	390.8	43.6	389.9	42.8
	37	34	412.0	40.1	410.9	41.0	409.9	41.8	409.1	41.8	408.2	40.8	407.3	40.2
	42	38	426.9	39.7	426.0	40.5	425.1	39.9	424.3	39.2	423.4	38.4	422.5	38.0
	47	43	455.1	39.8	454.3	39.2	453.4	38.7	452.5	38.1	451.7	37.5	450.8	37.1
	52	47	501.1	39.9	500.2	39.5	499.4	39.0	498.5	38.6	485.6	37.2	464.4	35.3
	57	52	545.7	39.9	544.8	39.6	543.9	39.2	518.4	37.1	485.6	34.5	464.4	32.8
	62	56	588.6	39.8	582.0	39.1	551.2	36.9	518.4	34.5	485.6	32.1	464.4	30.6
	67	61	614.8	38.6	582.0	36.5	551.2	34.4	518.4	32.3	485.6	30.1	464.4	28.7
	72	66	614.8	36.1	582.0	34.1	551.2	32.3	518.4	30.3	485.6	28.3	464.4	27.0
	75	69	614.8	34.7	582.0	32.8	551.2	31.1	518.4	29.2	485.6	27.3	464.4	26.1
	80	74	614.8	32.7	582.0	30.9	551.2	29.3	518.4	27.6	485.6	25.8	464.4	24.7
110%	-13	-14	231.0	28.4	230.4	29.1	229.8	29.9	229.2	30.8	228.6	31.7	228.3	32.3
	-8	-9	237.4	29.2	236.8	30.0	236.2	30.7	235.6	31.6	235.0	32.6	234.6	33.2
	-3	-4	249.8	30.5	249.1	31.3	248.5	32.1	247.9	33.1	247.2	34.1	246.8	34.7
	2	1	266.6	32.2	265.9	33.0	265.3	33.9	264.6	34.8	263.9	35.8	263.5	36.5
	7	6	286.5	33.9	285.7	34.8	285.1	35.7	284.3	36.7	283.6	37.7	283.1	38.5
	12	10	308.1	35.6	307.3	36.5	306.6	37.4	305.8	38.5	305.0	39.5	304.5	40.3
	17	15	330.5	37.1	329.6	38.1	328.8	39.0	328.0	40.0	327.2	41.0	326.6	41.8
	22	20	352.6	38.3	351.7	39.2	350.8	40.1	349.9	41.1	349.0	42.2	348.5	42.9
	27	24	373.7	39.1	372.7	40.0	371.8	40.9	370.9	41.8	369.9	42.9	369.9	43.6
	32	29	393.1	39.4	392.1	40.3	391.1	41.1	390.1	42.1	389.3	42.7	388.4	41.9
	37	34	410.3	39.4	409.3	40.2	408.3	41.0	407.4	41.0	406.6	40.1	405.7	39.5
	42	38	425.2	38.9	424.3	39.7	423.4	39.1	422.6	38.4	421.7	37.7	420.9	37.2
	47	43	455.1	39.2	454.3	38.6	453.4	38.1	452.5	37.5	445.2	36.4	425.7	34.5
	52	47	501.1	39.3	500.2	38.9	499.4	38.4	475.2	36.2	445.2	33.6	425.7	31.9
	57	52	545.7	39.3	533.5	38.1	505.2	35.9	475.2	33.5	445.2	31.1	425.7	29.6
	62	56	563.5	37.5	533.5	35.3	505.2	33.3	475.2	31.1	445.2	29.0	425.7	27.7
	67	61	563.5	34.9	533.5	32.9	505.2	31.1	475.2	29.1	445.2	27.2	425.7	25.9
	72	66	563.5	32.6	533.5	30.8	505.2	29.1	475.2	27.3	445.2	25.6	425.7	24.4
	75	69	563.5	31.4	533.5	29.7	505.2	28.1	475.2	26.4	445.2	24.7	425.7	23.6
	80	74	563.5	29.5	533.5	27.9	505.2	26.5	475.2	24.9	445.2	23.3	425.7	22.3

NOTE - Power Input = Compressor + Outdoor Fan Motor.  
MBH = 1000 BTUs per hour.

# HEATING CAPACITY - TWO MODULE | VRB384H4

Combination (%)	Outdoor Temperature (°F)		Indoor Temperature - °F Dry Bulb											
			61		64		67		70		73		75	
	Dry Bulb	Wet Bulb	Total Cap. MBH	Power Input kW	Total Cap. MBH	Power Input kW	Total Cap. MBH	Power Input kW	Total Cap. MBH	Power Input kW	Total Cap. MBH	Power Input kW	Total Cap. MBH	Power Input kW
100%	-13	-14	230.0	27.8	229.5	28.6	228.9	29.3	228.3	30.2	227.7	31.1	227.3	31.7
	-8	-9	236.4	28.6	235.8	29.4	235.2	30.2	234.6	31.0	234.0	32.0	233.6	32.6
	-3	-4	248.8	29.9	248.1	30.7	247.5	31.5	246.9	32.4	246.3	33.4	245.8	34.1
	2	1	265.5	31.5	264.9	32.4	264.2	33.2	263.5	34.2	262.9	35.2	262.4	35.9
	7	6	285.3	33.3	284.6	34.2	283.9	35.0	283.2	36.0	282.5	37.0	282.0	37.7
	12	10	306.9	35.0	306.1	35.9	305.4	36.7	304.6	37.7	303.8	38.8	303.3	39.5
	17	15	329.2	36.4	328.3	37.3	327.5	38.2	326.7	39.2	325.9	40.3	325.3	41.0
	22	20	351.2	37.6	350.3	38.5	349.4	39.4	348.5	40.3	347.7	41.4	347.1	42.1
	27	24	372.2	38.4	371.2	39.2	370.3	40.1	369.4	41.0	368.4	42.1	367.8	42.7
	32	29	391.5	38.7	390.5	39.5	389.6	40.4	388.6	41.3	387.6	41.9	386.9	41.2
	37	34	408.7	38.6	407.7	39.4	406.7	40.2	405.6	40.2	404.6	39.3	387.0	37.1
	42	38	423.5	38.2	422.4	38.9	421.4	38.4	420.3	37.6	404.7	35.6	387.0	33.7
	47	43	435.7	37.0	434.5	36.4	433.5	35.9	432.0	35.3	404.7	32.6	387.0	30.9
	52	47	445.2	34.4	444.1	34.0	443.0	33.6	432.0	32.4	404.7	30.1	387.0	28.6
	57	52	452.3	32.1	451.2	31.8	450.1	31.5	432.0	30.0	404.7	27.9	387.0	26.5
	62	56	457.3	30.0	456.2	29.8	455.1	29.5	432.0	27.9	404.7	26.0	387.0	24.8
	67	61	460.6	28.1	459.5	27.9	458.4	27.8	432.0	26.1	404.7	24.3	387.0	23.2
72	66	462.9	26.4	461.7	26.3	459.3	26.1	432.0	24.5	404.7	22.9	387.0	21.9	
75	69	464.0	25.4	462.9	25.3	459.3	25.1	432.0	23.6	404.7	22.1	387.0	21.1	
80	74	466.3	24.0	465.1	24.0	459.3	23.7	432.0	22.3	404.7	20.9	387.0	20.0	
90%	-13	-14	229.1	27.3	228.5	28.1	228.0	28.8	227.4	29.6	226.8	30.5	226.4	31.1
	-8	-9	235.5	28.1	234.9	28.8	234.3	29.6	233.7	30.5	233.1	31.4	232.7	32.0
	-3	-4	247.8	29.4	247.1	30.2	246.5	30.9	245.9	31.8	245.3	32.8	244.9	33.4
	2	1	264.5	31.0	263.8	31.8	263.2	32.6	262.5	33.5	261.8	34.5	261.4	35.2
	7	6	284.2	32.7	283.5	33.5	282.8	34.4	282.1	35.3	281.3	36.3	280.9	37.0
	12	10	305.7	34.3	304.9	35.2	304.2	36.1	303.4	37.0	302.6	38.1	302.1	38.8
	17	15	327.9	35.8	327.0	36.6	326.2	37.5	325.4	38.5	324.6	39.5	324.0	40.2
	22	20	349.8	36.9	348.9	37.8	348.0	38.6	347.2	39.6	346.4	40.5	345.9	39.4
	27	24	370.7	37.6	369.7	38.5	368.8	39.3	367.9	40.3	343.4	38.6	331.0	37.9
	32	29	389.9	38.0	388.9	38.8	388.0	39.6	363.5	38.1	348.8	37.2	348.2	36.5
	37	34	407.1	37.9	406.0	38.7	381.9	37.2	365.1	35.6	364.1	34.8	348.3	32.9
	42	38	421.8	37.5	396.6	36.0	379.2	34.0	378.3	33.4	364.2	31.6	348.3	29.9
	47	43	410.5	34.3	391.1	32.3	390.1	31.8	388.8	31.3	364.2	28.9	348.3	27.4
	52	47	400.7	30.5	399.7	30.1	398.7	29.8	388.8	28.7	364.2	26.6	348.3	25.3
	57	52	407.1	28.5	406.1	28.2	405.1	27.9	388.8	26.6	364.2	24.7	348.3	23.5
	62	56	411.6	26.6	410.5	26.4	409.6	26.2	388.8	24.7	364.2	23.0	348.3	22.0
	67	61	414.6	24.9	413.5	24.8	412.5	24.6	388.8	23.1	364.2	21.6	348.3	20.6
72	66	416.6	23.4	415.5	23.3	413.4	23.1	388.8	21.7	364.2	20.3	348.3	19.4	
75	69	417.6	22.5	416.6	22.5	413.4	22.3	388.8	20.9	364.2	19.6	348.3	18.7	
80	74	419.7	21.3	418.6	21.3	413.4	21.0	388.8	19.8	364.2	18.5	348.3	17.7	
80%	-13	-14	228.2	26.8	227.6	27.5	227.1	28.3	226.5	29.1	225.9	30.0	225.5	30.6
	-8	-9	234.5	27.6	233.9	28.3	233.4	29.1	232.8	29.9	232.2	30.8	231.8	31.4
	-3	-4	246.8	28.8	246.1	29.6	245.5	30.4	244.9	31.2	244.3	32.2	243.9	32.8
	2	1	263.4	30.4	262.7	31.2	262.1	32.0	261.4	32.9	260.8	33.9	260.3	34.5
	7	6	283.0	32.1	282.3	32.9	281.6	33.7	280.9	34.7	280.2	35.7	279.7	36.3
	12	10	304.5	33.7	303.7	34.5	302.9	35.4	302.2	36.3	301.4	37.4	295.3	37.3
	17	15	326.5	35.1	325.7	36.0	324.9	36.8	324.1	37.8	309.4	37.1	297.0	36.3
	22	20	348.4	36.2	347.5	37.1	346.7	37.9	329.5	37.0	309.0	35.7	295.8	34.8
	27	24	369.2	36.9	368.3	37.8	348.5	36.6	326.8	35.2	305.1	33.8	294.2	33.2
	32	29	387.7	37.2	364.6	35.8	343.0	34.5	320.2	33.0	310.0	32.5	309.5	32.0
	37	34	379.9	34.9	355.9	33.4	333.5	32.0	324.5	31.2	323.7	30.5	309.6	28.8
	42	38	368.0	32.2	343.2	30.7	337.1	29.8	336.2	29.2	323.8	27.7	309.6	26.2
	47	43	352.2	29.0	347.6	28.3	346.8	27.8	345.6	27.4	323.8	25.3	309.6	24.0
	52	47	356.2	26.7	355.3	26.4	354.4	26.1	345.6	25.2	323.8	23.3	309.6	22.2
	57	52	361.9	24.9	361.0	24.7	360.1	24.4	345.6	23.3	323.8	21.6	309.6	20.6
	62	56	365.9	23.3	364.9	23.1	364.1	22.9	345.6	21.7	323.8	20.2	309.6	19.2
	67	61	368.5	21.8	367.6	21.7	366.7	21.6	345.6	20.2	323.8	18.9	309.6	18.0
72	66	370.3	20.5	369.4	20.4	367.4	20.2	345.6	19.0	323.8	17.8	309.6	17.0	
75	69	371.2	19.8	370.3	19.7	367.4	19.5	345.6	18.3	323.8	17.2	309.6	16.4	
80	74	373.0	18.7	372.1	18.6	367.4	18.4	345.6	17.3	323.8	16.2	309.6	15.5	

NOTE - Power Input = Compressor + Outdoor Fan Motor.  
 MBH = 1000 BTUs per hour.

# HEATING CAPACITY - TWO MODULE | VRB384H4

Combination (%)	Outdoor Temperature (°F)		Indoor Temperature - °F Dry Bulb											
			61		64		67		70		73		75	
	Dry Bulb	Wet Bulb	Total Cap. MBH	Power Input kW	Total Cap. MBH	Power Input kW	Total Cap. MBH	Power Input kW	Total Cap. MBH	Power Input kW	Total Cap. MBH	Power Input kW	Total Cap. MBH	Power Input kW
70%	-13	-14	227.3	26.3	226.7	27.0	226.2	27.7	225.6	28.6	225.0	29.4	224.6	30.0
	-8	-9	233.6	27.1	233.0	27.8	232.4	28.5	231.8	29.3	231.2	30.2	230.8	30.8
	-3	-4	245.8	28.3	245.1	29.1	244.6	29.8	243.9	30.7	243.3	31.6	242.9	32.2
	2	1	262.3	29.8	261.7	30.6	261.0	31.4	260.4	32.3	259.7	33.3	259.3	33.9
	7	6	281.9	31.5	281.2	32.3	280.5	33.1	279.8	34.0	279.1	34.3	263.7	33.8
	12	10	303.2	33.1	302.5	33.9	301.7	34.7	290.9	34.5	275.3	33.6	265.3	33.1
	17	15	325.2	34.4	324.4	35.3	309.0	34.5	292.2	33.6	275.5	32.6	264.8	31.9
	22	20	343.3	35.2	325.3	34.2	308.4	33.2	290.6	32.2	272.9	31.1	261.5	30.3
	27	24	341.2	33.7	322.2	32.6	304.4	31.5	285.6	30.4	266.9	29.1	257.5	28.6
	32	29	335.2	31.7	315.3	30.5	296.6	29.4	276.9	28.1	271.3	28.1	270.8	27.6
	37	34	325.2	29.4	304.4	28.2	285.0	27.0	283.9	26.9	283.2	26.3	270.9	24.8
	42	38	311.3	26.8	295.7	26.1	295.0	25.7	294.2	25.2	283.3	23.9	270.9	22.6
	47	43	305.0	24.8	304.2	24.4	303.4	24.0	302.4	23.6	283.3	21.8	270.9	20.7
	52	47	311.7	23.1	310.9	22.8	310.1	22.5	302.4	21.7	283.3	20.1	270.9	19.1
	57	52	316.6	21.5	315.8	21.3	315.1	21.1	302.4	20.1	283.3	18.7	270.9	17.8
	62	56	320.1	20.1	319.3	19.9	318.5	19.8	302.4	18.7	283.3	17.4	270.9	16.6
	67	61	322.4	18.8	321.6	18.7	320.8	18.6	302.4	17.5	283.3	16.3	270.9	15.6
	72	66	324.0	17.7	323.2	17.6	321.5	17.5	302.4	16.4	283.3	15.3	270.9	14.6
	75	69	324.8	17.0	324.0	17.0	321.5	16.8	302.4	15.8	283.3	14.8	270.9	14.1
	80	74	326.4	16.1	325.6	16.1	321.5	15.9	302.4	14.9	283.3	14.0	270.9	13.4
60%	-13	-14	226.4	25.8	225.8	26.5	225.2	27.2	224.7	28.0	224.1	28.9	223.7	29.5
	-8	-9	232.6	26.6	232.0	27.3	231.5	28.0	230.9	28.8	230.3	29.7	229.9	30.3
	-3	-4	244.8	27.8	244.1	28.5	243.6	29.3	242.9	30.1	242.3	31.0	232.2	30.4
	2	1	261.3	29.3	260.6	30.1	260.0	30.8	254.3	31.1	242.8	30.6	232.2	29.9
	7	6	280.8	30.9	280.0	31.7	268.4	31.2	256.0	30.7	242.8	30.0	232.2	29.3
	12	10	296.1	31.8	282.7	31.2	270.2	30.7	256.9	30.0	242.8	29.2	232.2	28.5
	17	15	297.6	31.1	283.3	30.4	269.9	29.7	255.8	29.0	242.8	28.3	232.2	27.6
	22	20	296.2	29.9	281.0	29.1	266.8	28.3	251.8	27.5	242.8	27.3	232.2	26.6
	27	24	291.4	28.3	275.3	27.4	260.3	26.6	244.4	25.6	242.8	26.1	232.2	25.5
	32	29	282.8	26.4	266.0	25.4	250.2	24.5	233.6	23.4	242.8	24.8	232.2	23.3
	37	34	270.4	24.1	252.9	23.1	244.0	22.8	243.4	22.8	242.8	22.2	232.2	21.0
	42	38	254.5	21.6	253.4	22.0	252.8	21.7	252.2	21.3	242.8	20.2	232.2	19.1
	47	43	261.4	20.9	260.7	20.6	260.1	20.3	259.2	20.0	242.8	18.5	232.2	17.5
	52	47	267.1	19.5	266.5	19.2	265.8	19.0	259.2	18.3	242.8	17.0	232.2	16.2
	57	52	271.4	18.2	270.7	18.0	270.1	17.8	259.2	17.0	242.8	15.8	232.2	15.0
	62	56	274.4	17.0	273.7	16.8	273.0	16.7	259.2	15.8	242.8	14.7	232.2	14.0
	67	61	276.4	15.9	275.7	15.8	275.0	15.7	259.2	14.8	242.8	13.8	232.2	13.1
	72	66	277.7	14.9	277.0	14.9	275.6	14.8	259.2	13.9	242.8	13.0	232.2	12.4
	75	69	278.4	14.4	277.7	14.3	275.6	14.2	259.2	13.4	242.8	12.5	232.2	12.0
	80	74	279.8	13.6	279.1	13.6	275.6	13.4	259.2	12.6	242.8	11.8	232.2	11.3
50%	-13	-14	225.4	25.4	224.9	26.1	224.3	26.8	216.0	26.6	202.3	25.7	193.5	25.1
	-8	-9	231.7	26.1	231.1	26.8	229.7	27.4	216.0	26.6	202.3	25.7	193.5	25.1
	-3	-4	243.8	27.3	242.5	27.9	229.7	27.2	216.0	26.4	202.3	25.5	193.5	24.9
	2	1	252.8	27.9	242.5	27.6	229.7	26.9	216.0	26.0	202.3	25.2	193.5	24.6
	7	6	254.3	27.6	242.5	27.1	229.7	26.4	216.0	25.5	202.3	24.7	193.5	24.1
	12	10	255.0	27.0	242.5	26.4	229.7	25.7	216.0	24.9	202.3	24.0	193.5	23.4
	17	15	253.5	26.1	242.5	25.6	229.7	24.9	216.0	24.1	202.3	23.3	193.5	22.7
	22	20	249.2	24.8	242.5	24.8	229.7	24.1	216.0	23.3	202.3	22.4	193.5	21.8
	27	24	241.5	23.2	242.5	23.8	229.7	23.1	216.0	22.3	202.3	21.5	193.5	20.9
	32	29	230.3	21.2	242.5	22.8	229.7	22.1	216.0	21.3	202.3	20.4	193.5	19.1
	37	34	215.7	19.0	242.5	21.8	229.7	21.1	216.0	19.9	202.3	18.3	193.5	17.2
	42	38	211.7	17.8	242.5	20.8	229.7	19.4	216.0	18.0	202.3	16.6	193.5	15.7
	47	43	217.8	17.2	242.5	18.9	229.7	17.7	216.0	16.4	202.3	15.2	193.5	14.4
	52	47	222.6	16.0	242.5	17.3	229.7	16.2	216.0	15.1	202.3	14.0	193.5	13.3
	57	52	226.2	14.9	242.5	15.9	229.7	14.9	216.0	13.9	202.3	13.0	193.5	12.3
	62	56	228.7	14.0	242.5	14.7	229.7	13.9	216.0	13.0	202.3	12.1	193.5	11.5
	67	61	230.3	13.1	242.5	13.7	229.7	12.9	216.0	12.1	202.3	11.3	193.5	10.8
	72	66	231.4	12.3	242.5	12.8	229.7	12.1	216.0	11.4	202.3	10.6	193.5	10.2
	75	69	232.0	11.8	242.5	12.3	229.7	11.7	216.0	11.0	202.3	10.3	193.5	9.8
	80	74	233.1	11.2	242.5	11.6	229.7	11.0	216.0	10.4	202.3	9.7	193.5	9.3

NOTE - Power Input = Compressor + Outdoor Fan Motor.  
 MBH = 1000 BTUs per hour.

# COOLING CAPACITY - THREE MODULE | VRB408H4

Combination (%)	Outdoor Temperature °F (Dry Bulb)	Indoor Temperature - °F (Dry Bulb / Wet Bulb)											
		67 / 57		71 / 60		75 / 63		80 / 67		85 / 71		90 / 75	
		Total Cap.	Power Input	Total Cap.	Power Input	Total Cap.	Power Input	Total Cap.	Power Input	Total Cap.	Power Input	Total Cap.	Power Input
		MBH	kW	MBH	kW	MBH	kW	MBH	kW	MBH	kW	MBH	kW
130%	-10	312.7	12.5	380.0	15.3	443.3	18.1	530.4	22.1	621.4	26.4	693.6	30.2
	-5	312.7	13.3	380.0	16.3	443.3	19.2	530.4	23.4	621.4	28.1	659.3	30.5
	10	312.7	13.5	380.0	16.6	443.3	19.7	530.4	24.0	621.4	28.7	647.2	30.6
	15	312.7	13.8	380.0	17.0	443.3	20.1	530.4	24.5	616.2	29.1	633.7	30.7
	20	312.7	14.1	380.0	17.4	443.3	20.5	530.4	25.0	607.9	29.3	620.2	30.7
	25	312.7	14.5	380.0	17.8	443.3	21.0	530.4	25.6	599.3	29.6	606.1	30.7
	30	312.7	14.8	380.0	18.2	443.3	21.5	530.4	26.2	584.6	29.5	592.8	30.7
	35	312.7	15.2	380.0	18.6	443.3	22.0	530.4	26.8	572.0	29.6	580.2	30.7
	40	312.7	15.5	380.0	19.1	443.3	22.5	530.4	27.5	564.4	29.9	572.6	31.1
	45	312.7	15.9	380.0	19.6	443.3	23.1	530.4	28.2	562.0	30.5	570.2	31.7
	50	312.7	16.3	380.0	20.1	443.3	23.7	530.4	28.9	560.4	31.2	568.6	32.5
	55	312.7	16.8	380.0	20.6	443.3	24.3	530.4	29.6	559.5	32.0	567.7	33.3
	60	312.7	17.2	380.0	21.2	443.3	25.0	530.4	30.5	561.2	33.0	567.1	34.2
	65	312.7	17.7	380.0	21.8	443.3	25.7	530.4	31.3	555.8	33.6	566.5	35.1
	70	312.7	19.3	380.0	23.7	443.3	27.9	530.4	34.1	554.6	36.5	565.3	38.1
	75	312.7	21.1	380.0	26.0	443.3	30.7	524.5	37.0	552.2	39.9	562.8	41.6
	80	312.7	23.2	380.0	28.5	443.3	33.7	521.4	40.4	547.7	43.4	558.3	45.3
	85	312.7	25.5	380.0	31.3	443.3	36.9	516.7	43.9	540.4	47.0	550.7	49.1
	90	312.7	27.9	380.0	34.3	443.3	40.5	509.8	47.5	529.1	50.4	539.2	52.6
	95	312.7	30.5	380.0	37.4	443.3	44.2	476.7	48.5	484.8	50.5	493.0	52.6
100	312.7	33.1	380.0	40.7	430.8	46.7	454.2	50.3	462.4	52.3	471.2	54.6	
105	312.7	35.8	380.0	43.9	412.1	48.3	421.3	50.4	433.8	53.0	442.1	55.3	
110	312.7	38.3	357.3	44.3	370.8	46.6	385.1	49.3	396.5	51.9	404.1	54.1	
115	298.1	38.7	315.5	41.4	326.5	43.4	339.1	45.9	349.1	48.3	355.8	50.4	
118	272.4	36.4	284.4	38.4	294.3	40.2	305.6	42.5	314.7	44.8	320.7	46.8	
125	188.1	26.2	196.3	27.7	203.2	29.0	211.0	30.7	217.2	32.3	221.4	33.7	
120%	-10	288.6	11.3	350.8	13.9	409.2	16.4	489.6	20.1	573.6	24.0	654.0	28.0
	-5	288.6	12.0	350.8	14.8	409.2	17.5	489.6	21.3	573.6	25.5	643.7	29.3
	10	288.6	12.3	350.8	15.1	409.2	17.9	489.6	21.8	573.6	26.1	636.1	29.6
	15	288.6	12.6	350.8	15.5	409.2	18.3	489.6	22.2	573.6	26.6	622.7	29.7
	20	288.6	12.8	350.8	15.8	409.2	18.6	489.6	22.7	573.6	27.2	609.3	29.6
	25	288.6	13.1	350.8	16.2	409.2	19.1	489.6	23.3	573.6	27.9	595.4	29.6
	30	288.6	13.5	350.8	16.5	409.2	19.5	489.6	23.8	565.2	28.1	582.1	29.7
	35	288.6	13.8	350.8	16.9	409.2	20.0	489.6	24.4	557.4	28.4	569.6	29.7
	40	288.6	14.1	350.8	17.3	409.2	20.5	489.6	25.0	552.3	28.8	561.8	30.0
	45	288.6	14.5	350.8	17.8	409.2	21.0	489.6	25.6	550.2	29.4	559.4	30.7
	50	288.6	14.8	350.8	18.2	409.2	21.5	489.6	26.3	548.7	30.1	557.9	31.4
	55	288.6	15.2	350.8	18.7	409.2	22.1	489.6	26.9	547.5	30.9	557.0	32.1
	60	288.6	15.6	350.8	19.2	409.2	22.7	489.6	27.7	547.7	31.7	556.4	33.0
	65	288.6	16.1	350.8	19.8	409.2	23.3	489.6	28.5	544.4	32.4	555.8	33.9
	70	288.6	17.5	350.8	21.5	409.2	25.4	489.6	30.9	543.1	35.2	554.6	36.8
	75	288.6	19.2	350.8	23.6	409.2	27.9	489.6	34.0	541.2	38.5	552.2	40.2
	80	288.6	21.1	350.8	25.9	409.2	30.6	489.6	37.3	537.4	41.9	547.7	43.8
	85	288.6	23.1	350.8	28.4	409.2	33.6	489.6	40.9	530.2	45.4	540.4	47.4
	90	288.6	25.3	350.8	31.2	409.2	36.8	489.6	44.8	519.1	48.7	529.1	50.8
	95	288.6	27.7	350.8	34.0	409.2	40.2	467.5	46.8	484.8	49.7	493.0	51.8
100	288.6	30.1	350.8	37.0	409.2	43.7	454.6	49.6	462.4	51.5	471.2	53.8	
105	288.6	32.5	350.8	39.9	398.0	45.9	421.3	49.6	433.8	52.2	442.1	54.5	
110	288.6	34.8	345.2	42.1	370.8	45.8	385.1	48.5	396.5	51.1	404.1	53.3	
115	288.6	36.8	315.5	40.8	326.5	42.7	339.1	45.2	349.1	47.6	355.8	49.7	
118	268.6	35.3	284.4	37.8	294.3	39.6	305.6	41.9	314.7	44.1	320.7	46.0	
125	188.1	25.8	196.3	27.2	203.2	28.5	211.0	30.2	217.2	31.8	221.4	33.2	

NOTE - Power Input = Compressor + Outdoor Fan Motor.  
 MBH = 1000 BTUs per hour.

# COOLING CAPACITY - THREE MODULE | VRB408H4

Combination (%)	Outdoor Temperature °F (Dry Bulb)	Indoor Temperature - °F (Dry Bulb / Wet Bulb)											
		67 / 57		71 / 60		75 / 63		80 / 67		85 / 71		90 / 75	
		Total Cap.	Power Input	Total Cap.	Power Input	Total Cap.	Power Input	Total Cap.	Power Input	Total Cap.	Power Input	Total Cap.	Power Input
		MBH	KW	MBH	KW	MBH	KW	MBH	KW	MBH	KW	MBH	KW
110%	-10	264.6	10.2	321.5	12.6	375.1	14.8	448.8	18.1	525.8	21.7	599.5	25.3
	-5	264.6	10.9	321.5	13.4	375.1	15.8	448.8	19.2	525.8	23.0	599.5	26.9
	10	264.6	11.1	321.5	13.7	375.1	16.1	448.8	19.6	525.8	23.5	599.5	27.5
	15	264.6	11.4	321.5	14.0	375.1	16.5	448.8	20.1	525.8	24.1	599.4	28.1
	20	264.6	11.6	321.5	14.3	375.1	16.8	448.8	20.5	525.8	24.6	591.2	28.3
	25	264.6	11.9	321.5	14.6	375.1	17.2	448.8	21.0	525.8	25.1	582.7	28.6
	30	264.6	12.1	321.5	14.9	375.1	17.6	448.8	21.5	525.8	25.7	571.4	28.7
	35	264.6	12.4	321.5	15.3	375.1	18.0	448.8	22.0	525.8	26.3	558.9	28.7
	40	264.6	12.7	321.5	15.7	375.1	18.5	448.8	22.5	525.8	27.0	551.0	29.0
	45	264.6	13.1	321.5	16.1	375.1	19.0	448.8	23.1	525.8	27.7	548.7	29.6
	50	264.6	13.4	321.5	16.5	375.1	19.4	448.8	23.7	525.8	28.4	547.1	30.3
	55	264.6	13.8	321.5	16.9	375.1	20.0	448.8	24.3	525.8	29.1	546.3	31.0
	60	264.6	14.1	321.5	17.4	375.1	20.5	448.8	25.0	521.7	29.7	545.7	31.9
	65	264.6	14.5	321.5	17.8	375.1	21.1	448.8	25.7	518.8	30.4	545.1	32.7
	70	264.6	15.8	321.5	19.4	375.1	22.9	448.8	27.9	517.6	33.0	544.0	35.5
	75	264.6	17.3	321.5	21.3	375.1	25.2	448.8	30.7	515.7	36.0	541.6	38.8
	80	264.6	19.0	321.5	23.4	375.1	27.6	448.8	33.7	512.7	39.4	537.2	42.3
	85	264.6	20.9	321.5	25.7	375.1	30.3	448.8	36.9	508.2	42.8	530.0	45.8
	90	264.6	22.9	321.5	28.1	375.1	33.2	448.8	40.5	501.6	46.3	518.9	49.1
	95	264.6	25.0	321.5	30.7	375.1	36.3	448.8	44.2	487.2	49.2	493.0	51.0
100	264.6	27.2	321.5	33.4	375.1	39.4	441.8	47.3	462.4	50.7	471.2	53.0	
105	264.6	29.3	321.5	36.1	375.1	42.6	419.1	48.6	433.8	51.4	442.1	53.7	
110	264.6	31.4	321.5	38.6	360.1	43.8	385.1	47.8	396.5	50.3	404.1	52.5	
115	264.6	33.2	306.6	39.0	326.5	42.1	339.1	44.5	349.1	46.9	355.8	48.9	
118	258.7	33.4	284.4	37.2	294.3	39.0	305.6	41.2	314.7	43.4	320.7	45.3	
125	188.1	25.4	196.3	26.8	203.2	28.1	211.0	29.7	217.2	31.3	221.4	32.7	
100%	-10	240.5	9.2	292.3	11.3	341.0	13.3	408.0	16.2	478.0	19.4	545.0	22.7
	-5	240.5	9.7	292.3	12.0	341.0	14.1	408.0	17.2	478.0	20.6	545.0	24.1
	10	240.5	9.9	292.3	12.2	341.0	14.4	408.0	17.6	478.0	21.1	545.0	24.6
	15	240.5	10.2	292.3	12.5	341.0	14.8	408.0	18.0	478.0	21.5	545.0	25.2
	20	240.5	10.4	292.3	12.8	341.0	15.1	408.0	18.4	478.0	22.0	544.7	25.7
	25	240.5	10.6	292.3	13.1	341.0	15.4	408.0	18.8	478.0	22.5	541.4	26.1
	30	240.5	10.9	292.3	13.4	341.0	15.8	408.0	19.2	478.0	23.0	538.2	26.6
	35	240.5	11.1	292.3	13.7	341.0	16.2	408.0	19.7	478.0	23.6	535.4	27.1
	40	240.5	11.4	292.3	14.0	341.0	16.6	408.0	20.2	478.0	24.2	532.9	27.6
	45	240.5	11.7	292.3	14.4	341.0	17.0	408.0	20.7	478.0	24.8	531.0	28.2
	50	240.5	12.0	292.3	14.7	341.0	17.4	408.0	21.2	478.0	25.4	529.5	28.9
	55	240.5	12.3	292.3	15.1	341.0	17.9	408.0	21.8	478.0	26.1	528.3	29.6
	60	240.5	12.6	292.3	15.5	341.0	18.4	408.0	22.4	478.0	26.8	527.4	30.3
	65	240.5	13.0	292.3	16.0	341.0	18.9	408.0	23.0	478.0	27.5	526.5	31.1
	70	240.5	14.1	292.3	17.4	341.0	20.5	408.0	25.0	478.0	30.0	525.2	33.8
	75	240.5	15.5	292.3	19.1	341.0	22.5	408.0	27.5	478.0	32.9	523.3	36.9
	80	240.5	17.0	292.3	20.9	341.0	24.7	408.0	30.1	478.0	36.1	520.4	40.3
	85	240.5	18.7	292.3	23.0	341.0	27.1	408.0	33.1	478.0	39.6	515.9	43.9
	90	240.5	20.5	292.3	25.2	341.0	29.7	408.0	36.2	476.3	43.3	508.7	47.4
	95	240.5	22.4	292.3	27.5	341.0	32.5	<b>408.0</b>	<b>39.6</b>	467.2	46.4	493.0	50.2
100	240.5	24.3	292.3	29.9	341.0	35.3	408.0	43.0	454.7	49.1	471.2	52.2	
105	240.5	26.3	292.3	32.3	341.0	38.1	402.3	45.8	433.8	50.6	442.1	52.8	
110	240.5	28.1	292.3	34.5	341.0	40.8	381.5	46.6	396.5	49.5	404.1	51.7	
115	240.5	29.7	292.3	36.6	320.6	40.7	339.1	43.8	349.1	46.1	355.8	48.2	
118	240.5	30.6	276.7	35.6	294.3	38.4	305.6	40.6	314.7	42.8	320.7	44.6	
125	188.1	25.0	196.3	26.4	203.2	27.7	211.0	29.3	217.2	30.8	221.4	32.2	

NOTE - Power Input = Compressor + Outdoor Fan Motor.  
 MBH = 1000 BTUs per hour.



# COOLING CAPACITY - THREE MODULE | VRB408H4

Combination (%)	Outdoor Temperature °F (Dry Bulb)	Indoor Temperature - °F (Dry Bulb / Wet Bulb)											
		67 / 57		71 / 60		75 / 63		80 / 67		85 / 71		90 / 75	
		Total Cap.	Power Input	Total Cap.	Power Input	Total Cap.	Power Input	Total Cap.	Power Input	Total Cap.	Power Input	Total Cap.	Power Input
		MBH	kW	MBH	kW	MBH	kW	MBH	kW	MBH	kW	MBH	kW
90%	-10	216.5	8.1	263.1	10.0	306.9	11.8	367.2	14.4	430.2	17.2	490.5	20.1
	-5	216.5	8.6	263.1	10.6	306.9	12.5	367.2	15.3	430.2	18.3	490.5	21.4
	10	216.5	8.8	263.1	10.8	306.9	12.8	367.2	15.6	430.2	18.7	490.5	21.8
	15	216.5	9.0	263.1	11.1	306.9	13.1	367.2	15.9	430.2	19.1	490.5	22.3
	20	216.5	9.2	263.1	11.3	306.9	13.4	367.2	16.3	430.2	19.5	490.5	22.8
	25	216.5	9.4	263.1	11.6	306.9	13.7	367.2	16.7	430.2	20.0	490.5	23.3
	30	216.5	9.6	263.1	11.9	306.9	14.0	367.2	17.1	430.2	20.4	490.5	23.9
	35	216.5	9.9	263.1	12.1	306.9	14.3	367.2	17.5	430.2	20.9	490.5	24.4
	40	216.5	10.1	263.1	12.4	306.9	14.7	367.2	17.9	430.2	21.4	490.5	25.0
	45	216.5	10.4	263.1	12.7	306.9	15.0	367.2	18.3	430.2	22.0	490.5	25.7
	50	216.5	10.6	263.1	13.1	306.9	15.4	367.2	18.8	430.2	22.5	490.5	26.3
	55	216.5	10.9	263.1	13.4	306.9	15.8	367.2	19.3	430.2	23.1	490.5	27.0
	60	216.5	11.2	263.1	13.8	306.9	16.3	367.2	19.8	430.2	23.8	490.5	27.7
	65	216.5	11.5	263.1	14.2	306.9	16.7	367.2	20.4	430.2	24.4	490.5	28.5
	70	216.5	12.5	263.1	15.4	306.9	18.2	367.2	22.2	430.2	26.6	490.5	31.0
	75	216.5	13.8	263.1	16.9	306.9	20.0	367.2	24.3	430.2	29.2	490.5	34.1
	80	216.5	15.1	263.1	18.6	306.9	21.9	367.2	26.7	430.2	32.0	490.5	37.4
	85	216.5	16.6	263.1	20.4	306.9	24.1	367.2	29.3	430.2	35.1	487.6	40.8
	90	216.5	18.2	263.1	22.3	306.9	26.4	367.2	32.1	430.2	38.5	481.1	44.1
	95	216.5	19.8	263.1	24.4	306.9	28.8	367.2	35.1	430.2	42.0	477.5	47.8
100	216.5	21.6	263.1	26.5	306.9	31.3	367.2	38.2	429.8	45.7	464.8	50.7	
105	216.5	23.3	263.1	28.6	306.9	33.8	367.2	41.2	418.4	48.0	442.1	52.1	
110	216.5	24.9	263.1	30.6	306.9	36.2	364.7	43.8	396.5	48.8	404.1	50.9	
115	216.5	26.4	263.1	32.4	306.6	38.2	338.3	43.1	349.1	45.5	355.8	47.5	
118	216.5	27.1	263.1	33.3	288.2	37.0	305.6	40.0	314.7	42.1	320.7	44.0	
125	188.1	24.7	196.3	26.0	203.2	27.3	211.0	28.8	217.2	30.4	221.4	31.7	
80%	-10	192.4	7.1	233.8	8.7	272.8	10.3	326.4	12.6	382.4	15.1	436.0	17.6
	-5	192.4	7.6	233.8	9.3	272.8	11.0	326.4	13.4	382.4	16.0	436.0	18.7
	10	192.4	7.7	233.8	9.5	272.8	11.2	326.4	13.7	382.4	16.4	436.0	19.1
	15	192.4	7.9	233.8	9.7	272.8	11.5	326.4	14.0	382.4	16.7	436.0	19.5
	20	192.4	8.1	233.8	9.9	272.8	11.7	326.4	14.3	382.4	17.1	436.0	20.0
	25	192.4	8.3	233.8	10.1	272.8	12.0	326.4	14.6	382.4	17.5	436.0	20.4
	30	192.4	8.4	233.8	10.4	272.8	12.3	326.4	14.9	382.4	17.9	436.0	20.9
	35	192.4	8.6	233.8	10.6	272.8	12.6	326.4	15.3	382.4	18.3	436.0	21.4
	40	192.4	8.9	233.8	10.9	272.8	12.9	326.4	15.7	382.4	18.8	436.0	21.9
	45	192.4	9.1	233.8	11.2	272.8	13.2	326.4	16.1	382.4	19.2	436.0	22.5
	50	192.4	9.3	233.8	11.5	272.8	13.5	326.4	16.5	382.4	19.7	436.0	23.1
	55	192.4	9.6	233.8	11.8	272.8	13.9	326.4	16.9	382.4	20.3	436.0	23.7
	60	192.4	9.8	233.8	12.1	272.8	14.3	326.4	17.4	382.4	20.8	436.0	24.3
	65	192.4	10.1	233.8	12.4	272.8	14.7	326.4	17.9	382.4	21.4	436.0	25.0
	70	192.4	11.0	233.8	13.5	272.8	15.9	326.4	19.4	382.4	23.3	436.0	27.2
	75	192.4	12.1	233.8	14.8	272.8	17.5	326.4	21.3	382.4	25.5	436.0	29.8
	80	192.4	13.2	233.8	16.3	272.8	19.2	326.4	23.4	382.4	28.0	436.0	32.8
	85	192.4	14.5	233.8	17.9	272.8	21.1	326.4	25.7	382.4	30.8	436.0	35.9
	90	192.4	15.9	233.8	19.6	272.8	23.1	326.4	28.2	382.4	33.7	436.0	39.4
	95	192.4	17.4	233.8	21.4	272.8	25.2	326.4	30.7	382.4	36.8	436.0	43.0
100	192.4	18.9	233.8	23.2	272.8	27.4	326.4	33.4	382.4	40.0	436.0	46.8	
105	192.4	20.4	233.8	25.1	272.8	29.6	326.4	36.1	382.4	43.2	425.4	49.3	
110	192.4	21.8	233.8	26.8	272.8	31.7	326.4	38.6	377.3	45.7	403.6	50.1	
115	192.4	23.1	233.8	28.4	272.8	33.5	321.5	40.3	349.1	44.8	355.8	46.8	
118	192.4	23.7	233.8	29.2	272.8	34.5	302.4	39.0	314.7	41.5	320.7	43.3	
125	180.9	23.3	196.3	25.7	203.2	26.9	211.0	28.4	217.2	29.9	221.4	31.2	

NOTE - Power Input = Compressor + Outdoor Fan Motor.  
 MBH = 1000 BTUs per hour.

# COOLING CAPACITY - THREE MODULE | VRB408H4

Combination (%)	Outdoor Temperature °F (Dry Bulb)	Indoor Temperature - °F (Dry Bulb / Wet Bulb)											
		67 / 57		71 / 60		75 / 63		80 / 67		85 / 71		90 / 75	
		Total Cap.	Power Input	Total Cap.	Power Input	Total Cap.	Power Input	Total Cap.	Power Input	Total Cap.	Power Input	Total Cap.	Power Input
		MBH	KW	MBH	KW	MBH	KW	MBH	KW	MBH	KW	MBH	KW
70%	-10	168.4	6.1	204.6	7.5	238.7	8.9	285.6	10.9	334.6	13.0	381.5	15.2
	-5	168.4	6.5	204.6	8.0	238.7	9.5	285.6	11.5	334.6	13.8	381.5	16.1
	10	168.4	6.7	204.6	8.2	238.7	9.7	285.6	11.8	334.6	14.1	381.5	16.5
	15	168.4	6.8	204.6	8.4	238.7	9.9	285.6	12.0	334.6	14.4	381.5	16.8
	20	168.4	7.0	204.6	8.6	238.7	10.1	285.6	12.3	334.6	14.7	381.5	17.2
	25	168.4	7.1	204.6	8.7	238.7	10.3	285.6	12.6	334.6	15.1	381.5	17.6
	30	168.4	7.3	204.6	9.0	238.7	10.6	285.6	12.9	334.6	15.4	381.5	18.0
	35	168.4	7.5	204.6	9.2	238.7	10.8	285.6	13.2	334.6	15.8	381.5	18.5
	40	168.4	7.6	204.6	9.4	238.7	11.1	285.6	13.5	334.6	16.2	381.5	18.9
	45	168.4	7.8	204.6	9.6	238.7	11.4	285.6	13.9	334.6	16.6	381.5	19.4
	50	168.4	8.0	204.6	9.9	238.7	11.7	285.6	14.2	334.6	17.0	381.5	19.9
	55	168.4	8.2	204.6	10.1	238.7	12.0	285.6	14.6	334.6	17.5	381.5	20.4
	60	168.4	8.5	204.6	10.4	238.7	12.3	285.6	15.0	334.6	18.0	381.5	21.0
	65	168.4	8.7	204.6	10.7	238.7	12.6	285.6	15.4	334.6	18.5	381.5	21.5
	70	168.4	9.5	204.6	11.6	238.7	13.7	285.6	16.8	334.6	20.1	381.5	23.4
	75	168.4	10.4	204.6	12.8	238.7	15.1	285.6	18.4	334.6	22.0	381.5	25.7
	80	168.4	11.4	204.6	14.0	238.7	16.6	285.6	20.2	334.6	24.2	381.5	28.2
	85	168.4	12.5	204.6	15.4	238.7	18.2	285.6	22.2	334.6	26.5	381.5	31.0
	90	168.4	13.7	204.6	16.9	238.7	19.9	285.6	24.3	334.6	29.1	381.5	34.0
	95	168.4	15.0	204.6	18.4	238.7	21.8	285.6	26.5	334.6	31.8	381.5	37.1
100	168.4	16.3	204.6	20.0	238.7	23.6	285.6	28.8	334.6	34.5	381.5	40.3	
105	168.4	17.6	204.6	21.6	238.7	25.5	285.6	31.1	334.6	37.3	381.5	43.5	
110	168.4	18.8	204.6	23.1	238.7	27.3	285.6	33.3	334.6	39.9	381.2	46.5	
115	168.4	19.9	204.6	24.5	238.7	28.9	285.6	35.2	330.5	41.7	353.5	45.8	
118	168.4	20.5	204.6	25.2	238.7	29.7	285.6	36.2	310.8	40.4	320.7	42.7	
125	164.9	20.9	190.4	24.5	203.2	26.5	211.0	28.0	217.2	29.5	221.4	30.8	
60%	-10	144.3	5.2	175.4	6.4	204.6	7.5	244.8	9.2	286.8	11.0	327.0	12.8
	-5	144.3	5.5	175.4	6.8	204.6	8.0	244.8	9.7	286.8	11.7	327.0	13.6
	10	144.3	5.6	175.4	6.9	204.6	8.2	244.8	10.0	286.8	11.9	327.0	13.9
	15	144.3	5.8	175.4	7.1	204.6	8.4	244.8	10.2	286.8	12.2	327.0	14.2
	20	144.3	5.9	175.4	7.2	204.6	8.5	244.8	10.4	286.8	12.5	327.0	14.5
	25	144.3	6.0	175.4	7.4	204.6	8.7	244.8	10.6	286.8	12.7	327.0	14.9
	30	144.3	6.2	175.4	7.6	204.6	8.9	244.8	10.9	286.8	13.0	327.0	15.2
	35	144.3	6.3	175.4	7.7	204.6	9.1	244.8	11.1	286.8	13.4	327.0	15.6
	40	144.3	6.5	175.4	7.9	204.6	9.4	244.8	11.4	286.8	13.7	327.0	16.0
	45	144.3	6.6	175.4	8.1	204.6	9.6	244.8	11.7	286.8	14.0	327.0	16.4
	50	144.3	6.8	175.4	8.3	204.6	9.9	244.8	12.0	286.8	14.4	327.0	16.8
	55	144.3	7.0	175.4	8.6	204.6	10.1	244.8	12.3	286.8	14.8	327.0	17.2
	60	144.3	7.2	175.4	8.8	204.6	10.4	244.8	12.7	286.8	15.2	327.0	17.7
	65	144.3	7.4	175.4	9.0	204.6	10.7	244.8	13.0	286.8	15.6	327.0	18.2
	70	144.3	8.0	175.4	9.8	204.6	11.6	244.8	14.2	286.8	17.0	327.0	19.8
	75	144.3	8.8	175.4	10.8	204.6	12.8	244.8	15.5	286.8	18.6	327.0	21.7
	80	144.3	9.6	175.4	11.9	204.6	14.0	244.8	17.1	286.8	20.4	327.0	23.9
	85	144.3	10.6	175.4	13.0	204.6	15.4	244.8	18.7	286.8	22.4	327.0	26.2
	90	144.3	11.6	175.4	14.3	204.6	16.8	244.8	20.5	286.8	24.6	327.0	28.7
	95	144.3	12.7	175.4	15.6	204.6	18.4	244.8	22.4	286.8	26.8	327.0	31.3
100	144.3	13.8	175.4	16.9	204.6	20.0	244.8	24.4	286.8	29.2	327.0	34.1	
105	144.3	14.9	175.4	18.3	204.6	21.6	244.8	26.3	286.8	31.5	327.0	36.8	
110	144.3	15.9	175.4	19.6	204.6	23.1	244.8	28.1	286.8	33.7	327.0	39.4	
115	144.3	16.8	175.4	20.7	204.6	24.4	244.8	29.8	286.8	35.7	327.0	41.6	
118	144.3	17.3	175.4	21.3	204.6	25.1	244.8	30.6	286.8	36.7	311.0	40.8	
125	144.3	18.1	175.4	22.2	194.1	24.9	211.0	27.6	217.2	29.1	221.4	30.4	

NOTE - Power Input = Compressor + Outdoor Fan Motor.  
 MBH = 1000 BTUs per hour.

## COOLING CAPACITY - THREE MODULE | VRB408H4

Combination (%)	Outdoor Temperature °F (Dry Bulb)	Indoor Temperature - °F (Dry Bulb / Wet Bulb)											
		67 / 57		71 / 60		75 / 63		80 / 67		85 / 71		90 / 75	
		Total Cap.	Power Input	Total Cap.	Power Input	Total Cap.	Power Input	Total Cap.	Power Input	Total Cap.	Power Input	Total Cap.	Power Input
		MBH	kW	MBH	kW	MBH	kW	MBH	kW	MBH	kW	MBH	kW
50%	-10	113.0	4.0	146.1	5.2	170.5	6.2	204.0	7.5	239.0	9.0	272.5	10.5
	-5	120.3	4.5	146.1	5.6	170.5	6.6	204.0	8.0	239.0	9.6	272.5	11.2
	10	120.3	4.6	146.1	5.7	170.5	6.7	204.0	8.2	239.0	9.8	272.5	11.4
	15	120.3	4.7	146.1	5.8	170.5	6.9	204.0	8.4	239.0	10.0	272.5	11.7
	20	120.3	4.8	146.1	5.9	170.5	7.0	204.0	8.5	239.0	10.2	272.5	12.0
	25	120.3	4.9	146.1	6.1	170.5	7.2	204.0	8.7	239.0	10.5	272.5	12.2
	30	120.3	5.1	146.1	6.2	170.5	7.3	204.0	8.9	239.0	10.7	272.5	12.5
	35	120.3	5.2	146.1	6.4	170.5	7.5	204.0	9.2	239.0	11.0	272.5	12.8
	40	120.3	5.3	146.1	6.5	170.5	7.7	204.0	9.4	239.0	11.2	272.5	13.1
	45	120.3	5.4	146.1	6.7	170.5	7.9	204.0	9.6	239.0	11.5	272.5	13.5
	50	120.3	5.6	146.1	6.9	170.5	8.1	204.0	9.9	239.0	11.8	272.5	13.8
	55	120.3	5.7	146.1	7.0	170.5	8.3	204.0	10.1	239.0	12.1	272.5	14.2
	60	120.3	5.9	146.1	7.2	170.5	8.5	204.0	10.4	239.0	12.5	272.5	14.6
	65	120.3	6.0	146.1	7.4	170.5	8.8	204.0	10.7	239.0	12.8	272.5	15.0
	70	120.3	6.6	146.1	8.1	170.5	9.5	204.0	11.6	239.0	13.9	272.5	16.3
	75	120.3	7.2	146.1	8.9	170.5	10.5	204.0	12.8	239.0	15.3	272.5	17.9
	80	120.3	7.9	146.1	9.7	170.5	11.5	204.0	14.0	239.0	16.8	272.5	19.6
	85	120.3	8.7	146.1	10.7	170.5	12.6	204.0	15.4	239.0	18.4	272.5	21.5
90	120.3	9.5	146.1	11.7	170.5	13.8	204.0	16.9	239.0	20.2	272.5	23.6	
95	120.3	10.4	146.1	12.8	170.5	15.1	204.0	18.4	239.0	22.1	272.5	25.8	
100	120.3	11.3	146.1	13.9	170.5	16.4	204.0	20.0	239.0	24.0	272.5	28.0	
105	120.3	12.2	146.1	15.0	170.5	17.7	204.0	21.6	239.0	25.9	272.5	30.2	
110	120.3	13.1	146.1	16.1	170.5	19.0	204.0	23.1	239.0	27.7	272.5	32.3	
115	120.3	13.8	146.1	17.0	170.5	20.1	204.0	24.5	239.0	29.3	272.5	34.2	
118	120.3	14.2	146.1	17.5	170.5	20.6	204.0	25.2	239.0	30.1	272.5	35.2	
125	120.3	14.8	146.1	18.2	170.5	21.5	198.0	25.5	215.8	28.5	221.4	29.9	

NOTE - Power Input = Compressor + Outdoor Fan Motor.  
 MBH = 1000 BTUs per hour.

# HEATING CAPACITY - THREE MODULE | VRB408H4

Combination (%)	Outdoor Temperature (°F)		Indoor Temperature - °F Dry Bulb											
			61		64		67		70		73		75	
	Dry Bulb	Wet Bulb	Total Cap.	Power Input	Total Cap.	Power Input	Total Cap.	Power Input	Total Cap.	Power Input	Total Cap.	Power Input	Total Cap.	Power Input
			MBH	kW	MBH	kW	MBH	kW	MBH	kW	MBH	kW	MBH	kW
130%	-13	-14	245.1	29.6	244.5	30.5	243.9	31.3	243.2	32.2	242.6	33.1	242.2	33.8
	-8	-9	256.2	31.0	255.5	31.8	254.9	32.7	254.2	33.6	253.6	34.6	253.2	35.3
	-3	-4	273.4	32.9	272.7	33.8	272.1	34.6	271.4	35.6	270.7	36.7	270.2	37.4
	2	1	295.2	35.1	294.5	36.0	293.8	36.9	293.0	38.0	292.3	39.1	291.8	39.8
	7	6	320.0	37.3	319.2	38.3	318.4	39.3	317.6	40.3	316.8	41.5	316.2	42.3
	12	10	346.4	39.4	345.5	40.4	344.6	41.4	343.8	42.6	342.9	43.7	342.3	44.5
	17	15	373.1	41.3	372.2	42.3	371.3	43.3	370.3	44.4	369.4	45.6	368.8	46.4
	22	20	399.3	42.7	398.3	43.7	397.3	44.7	396.3	45.8	395.3	47.0	394.6	47.8
	27	24	424.0	43.7	422.9	44.7	421.9	45.6	420.8	46.7	419.7	47.9	419.0	48.7
	32	29	446.5	44.1	445.4	45.1	444.3	46.0	443.2	47.1	442.3	47.8	441.3	46.9
	37	34	466.4	44.1	465.2	45.0	464.1	45.9	463.2	45.9	462.3	44.8	461.4	44.2
	42	38	483.4	43.5	482.5	44.4	481.5	43.8	480.6	43.0	479.7	42.2	478.8	41.7
	47	43	513.3	43.5	512.3	42.9	511.4	42.3	510.5	41.6	509.6	41.0	508.7	40.6
	52	47	564.8	43.6	563.9	43.1	563.0	42.6	562.1	42.1	553.5	41.1	533.4	39.3
	57	52	614.7	43.6	613.7	43.2	612.8	42.8	595.4	41.3	557.8	38.4	533.4	36.5
	62	56	662.5	43.4	659.1	43.0	633.0	41.1	595.4	38.4	557.8	35.8	533.4	34.1
	67	61	700.1	42.7	668.4	40.6	633.0	38.3	595.4	35.9	557.8	33.5	533.4	32.0
	72	66	706.1	40.2	668.4	38.0	633.0	35.9	595.4	33.7	557.8	31.5	533.4	30.1
	75	69	706.1	38.7	668.4	36.6	633.0	34.6	595.4	32.5	557.8	30.4	533.4	29.1
	80	74	706.1	36.4	668.4	34.4	633.0	32.6	595.4	30.7	557.8	28.8	533.4	27.5
120%	-13	-14	244.1	29.1	243.5	29.9	242.9	30.7	242.3	31.5	241.7	32.5	241.3	33.1
	-8	-9	255.1	30.4	254.5	31.2	253.9	32.0	253.2	33.0	252.6	34.0	252.2	34.6
	-3	-4	272.4	32.2	271.7	33.1	271.0	34.0	270.3	35.0	269.6	36.0	269.2	36.7
	2	1	294.1	34.4	293.3	35.3	292.6	36.2	291.9	37.2	291.1	38.3	290.6	39.1
	7	6	318.7	36.6	317.9	37.5	317.2	38.5	316.3	39.6	315.5	40.7	315.0	41.5
	12	10	345.0	38.7	344.1	39.7	343.3	40.6	342.4	41.7	341.5	42.9	341.0	43.7
	17	15	371.7	40.5	370.7	41.5	369.8	42.5	368.9	43.6	367.9	44.7	367.3	45.5
	22	20	397.7	41.9	396.7	42.9	395.7	43.9	394.7	45.0	393.7	46.1	393.0	46.9
	27	24	422.3	42.8	421.2	43.8	420.2	44.7	419.1	45.8	418.0	46.9	417.3	47.7
	32	29	444.8	43.3	443.6	44.2	442.6	45.1	441.4	46.1	440.5	46.9	439.6	46.0
	37	34	464.6	43.2	463.4	44.1	462.3	45.0	461.4	45.0	460.5	44.0	459.5	43.3
	42	38	481.5	42.7	480.5	43.6	479.6	43.0	478.7	42.2	477.8	41.4	476.9	40.9
	47	43	513.3	42.9	512.3	42.2	511.4	41.6	510.5	41.0	507.6	40.2	492.4	38.7
	52	47	564.8	43.0	563.9	42.5	563.0	42.0	549.1	40.5	514.9	37.6	492.4	35.8
	57	52	614.7	42.9	609.5	42.2	584.3	40.2	549.6	37.5	514.9	34.9	492.4	33.2
	62	56	649.6	41.9	617.0	39.6	584.3	37.3	549.6	34.9	514.9	32.5	492.4	31.0
	67	61	651.8	39.1	617.0	36.9	584.3	34.8	549.6	32.6	514.9	30.5	492.4	29.1
	72	66	651.8	36.5	617.0	34.5	584.3	32.6	549.6	30.6	514.9	28.7	492.4	27.4
	75	69	651.8	35.1	617.0	33.2	584.3	31.5	549.6	29.6	514.9	27.7	492.4	26.4
	80	74	651.8	33.1	617.0	31.3	584.3	29.7	549.6	27.9	514.9	26.2	492.4	25.0
110%	-13	-14	243.1	28.5	242.5	29.3	241.9	30.1	241.3	30.9	240.7	31.9	240.3	32.5
	-8	-9	254.1	29.8	253.5	30.6	252.9	31.4	252.2	32.3	251.6	33.3	251.2	34.0
	-3	-4	271.3	31.6	270.6	32.5	269.9	33.3	269.2	34.3	268.5	35.3	268.1	36.0
	2	1	292.9	33.7	292.2	34.6	291.4	35.5	290.7	36.5	290.0	37.6	289.5	38.3
	7	6	317.5	35.9	316.7	36.8	315.9	37.8	315.1	38.8	314.3	39.9	313.7	40.7
	12	10	343.6	37.9	342.7	38.9	341.9	39.9	341.0	40.9	340.2	42.1	339.6	42.9
	17	15	370.2	39.7	369.2	40.7	368.3	41.6	367.4	42.7	366.5	43.9	365.8	44.7
	22	20	396.1	41.1	395.1	42.1	394.2	43.0	393.2	44.1	392.1	45.2	391.5	46.0
	27	24	420.6	42.0	419.5	43.0	418.5	43.9	417.5	44.9	416.4	46.0	416.3	46.9
	32	29	443.0	42.4	441.9	43.3	440.8	44.3	439.7	45.3	438.8	46.0	437.8	45.1
	37	34	462.7	42.4	461.6	43.2	460.4	44.1	459.5	44.1	458.6	43.1	449.7	41.7
	42	38	479.5	41.9	478.6	42.7	477.7	42.1	476.8	41.4	468.9	40.0	451.4	38.1
	47	43	513.3	42.2	512.3	41.6	511.4	41.0	501.4	39.7	472.0	36.8	451.4	34.9
	52	47	564.8	42.3	559.2	41.5	535.6	39.3	503.8	36.6	472.0	34.0	451.4	32.3
	57	52	597.4	41.1	565.6	38.6	535.6	36.3	503.8	33.9	472.0	31.5	451.4	30.0
	62	56	597.4	38.0	565.6	35.8	535.6	33.7	503.8	31.5	472.0	29.4	451.4	28.0
	67	61	597.4	35.3	565.6	33.3	535.6	31.4	503.8	29.5	472.0	27.5	451.4	26.2
	72	66	597.4	33.0	565.6	31.2	535.6	29.5	503.8	27.7	472.0	25.9	451.4	24.7
	75	69	597.4	31.7	565.6	30.0	535.6	28.4	503.8	26.7	472.0	25.0	451.4	23.9
	80	74	597.4	29.8	565.6	28.3	535.6	26.8	503.8	25.2	472.0	23.6	451.4	22.6

NOTE - Power Input = Compressor + Outdoor Fan Motor.  
 MBH = 1000 BTUs per hour.

# HEATING CAPACITY - THREE MODULE | VRB408H4

Combination (%)	Outdoor Temperature (°F)		Indoor Temperature - °F Dry Bulb											
			61		64		67		70		73		75	
	Dry Bulb	Wet Bulb	Total Cap. MBH	Power Input kW	Total Cap. MBH	Power Input kW	Total Cap. MBH	Power Input kW	Total Cap. MBH	Power Input kW	Total Cap. MBH	Power Input kW	Total Cap. MBH	Power Input kW
100%	-13	-14	242.2	28.0	241.6	28.7	241.0	29.5	240.4	30.4	239.7	31.3	239.3	31.9
	-8	-9	253.1	29.2	252.5	30.0	251.9	30.8	251.2	31.7	250.6	32.7	250.2	33.3
	-3	-4	270.2	31.0	269.5	31.9	268.9	32.7	268.2	33.6	267.5	34.6	267.0	35.3
	2	1	291.7	33.1	291.0	34.0	290.3	34.8	289.5	35.8	288.8	36.9	288.3	37.6
	7	6	316.2	35.2	315.4	36.1	314.6	37.0	313.8	38.1	313.0	39.2	312.5	39.9
	12	10	342.3	37.2	341.4	38.2	340.6	39.1	339.7	40.2	338.8	41.3	338.2	42.0
	17	15	368.7	39.0	367.8	39.9	366.9	40.9	365.9	41.9	365.0	43.1	364.4	43.8
	22	20	394.6	40.3	393.5	41.3	392.6	42.2	391.6	43.3	390.6	44.4	389.9	45.1
	27	24	418.9	41.2	417.9	42.1	416.9	43.1	415.8	44.1	414.7	45.2	408.7	45.3
	32	29	441.2	41.6	440.1	42.5	439.0	43.4	437.9	44.4	428.5	44.2	410.3	41.7
	37	34	460.9	41.6	459.7	42.4	458.6	43.3	453.5	42.9	429.1	39.7	410.3	37.5
	42	38	477.6	41.1	476.4	41.9	475.3	41.3	458.0	39.1	429.1	36.1	410.3	34.1
	47	43	491.3	39.8	490.0	39.2	482.9	38.1	458.0	35.7	429.1	33.0	410.3	31.3
	52	47	501.9	37.0	500.6	36.6	486.9	35.2	458.0	32.8	429.1	30.4	410.3	28.9
	57	52	509.5	34.5	506.7	34.1	486.9	32.5	458.0	30.3	429.1	28.2	410.3	26.8
	62	56	514.7	32.2	508.8	31.7	486.9	30.2	458.0	28.2	429.1	26.3	410.3	25.1
	67	61	517.9	30.1	510.1	29.6	486.9	28.1	458.0	26.4	429.1	24.6	410.3	23.5
	72	66	519.7	28.3	510.9	27.7	486.9	26.4	458.0	24.8	429.1	23.2	410.3	22.1
75	69	520.6	27.2	511.2	26.7	486.9	25.4	458.0	23.9	429.1	22.4	410.3	21.4	
80	74	522.3	25.7	511.8	25.2	486.9	24.0	458.0	22.6	429.1	21.1	410.3	20.2	
90%	-13	-14	241.2	27.5	240.6	28.2	240.0	28.9	239.4	29.8	238.8	30.7	238.4	31.3
	-8	-9	252.1	28.7	251.5	29.5	250.9	30.3	250.2	31.1	249.6	32.1	249.2	32.7
	-3	-4	269.1	30.4	268.4	31.3	267.8	32.1	267.1	33.0	266.4	34.0	266.0	34.7
	2	1	290.6	32.5	289.8	33.3	289.1	34.2	288.4	35.2	287.6	36.2	287.2	36.9
	7	6	314.9	34.6	314.1	35.5	313.4	36.4	312.6	37.4	311.8	38.4	311.2	39.2
	12	10	340.9	36.5	340.0	37.5	339.2	38.4	338.3	39.4	337.5	40.5	336.9	41.3
	17	15	367.2	38.2	366.3	39.2	365.4	40.1	364.5	41.1	363.5	42.2	362.9	43.0
	22	20	393.0	39.5	392.0	40.5	391.0	41.4	390.0	42.4	384.3	43.0	367.6	41.9
	27	24	417.3	40.4	416.2	41.3	415.2	42.3	409.8	42.8	383.3	41.1	367.8	40.2
	32	29	439.5	40.8	438.3	41.7	434.1	42.3	407.6	40.7	385.6	39.2	369.3	36.9
	37	34	459.1	40.8	456.5	41.5	431.1	40.1	408.2	38.0	386.2	35.2	369.3	33.3
	42	38	475.7	40.3	452.1	39.2	429.8	36.8	412.2	34.7	386.2	32.0	369.3	30.3
	47	43	463.0	37.0	449.5	35.4	434.6	33.8	412.2	31.6	386.2	29.3	369.3	27.7
	52	47	451.7	32.8	453.2	32.6	438.2	31.2	412.2	29.1	386.2	27.0	369.3	25.6
	57	52	458.6	30.6	456.0	30.2	438.2	28.8	412.2	26.9	386.2	25.0	369.3	23.8
	62	56	463.2	28.6	457.9	28.1	438.2	26.7	412.2	25.0	386.2	23.3	369.3	22.2
	67	61	466.1	26.7	459.1	26.2	438.2	25.0	412.2	23.4	386.2	21.8	369.3	20.8
	72	66	467.8	25.1	459.8	24.6	438.2	23.4	412.2	22.0	386.2	20.5	369.3	19.6
75	69	468.5	24.1	460.1	23.7	438.2	22.5	412.2	21.2	386.2	19.8	369.3	19.0	
80	74	470.1	22.8	460.6	22.3	438.2	21.3	412.2	20.0	386.2	18.7	369.3	17.9	
80%	-13	-14	240.2	26.9	239.6	27.7	239.0	28.4	238.4	29.2	237.8	30.1	237.4	30.7
	-8	-9	251.1	28.2	250.5	28.9	249.9	29.7	249.2	30.6	248.6	31.5	248.2	32.1
	-3	-4	268.0	29.9	267.3	30.7	266.7	31.5	266.0	32.4	265.3	33.4	264.9	34.0
	2	1	289.4	31.9	288.7	32.7	288.0	33.6	287.2	34.5	286.5	35.5	286.0	36.2
	7	6	313.7	33.9	312.9	34.8	312.1	35.7	311.3	36.7	310.5	37.7	310.0	38.4
	12	10	339.5	35.8	338.7	36.8	337.8	37.7	337.0	38.7	336.1	39.8	327.7	39.5
	17	15	365.8	37.5	364.8	38.4	363.9	39.4	363.0	40.4	342.9	39.3	328.3	38.3
	22	20	391.4	38.8	390.4	39.7	387.0	40.4	365.6	39.2	342.6	37.8	328.3	36.9
	27	24	415.6	39.7	409.5	40.1	387.7	38.9	364.2	37.5	340.7	36.0	328.3	35.3
	32	29	431.7	39.5	407.6	38.2	385.0	37.0	361.0	35.5	342.8	34.3	328.3	32.4
	37	34	428.0	37.5	403.5	36.2	380.5	34.9	362.8	33.3	343.2	30.9	328.3	29.1
	42	38	422.5	35.3	397.6	33.9	382.0	32.2	366.4	30.4	343.2	28.0	328.3	26.5
	47	43	415.2	32.6	399.5	31.0	386.3	29.6	366.4	27.7	343.2	25.6	328.3	24.3
	52	47	416.9	29.9	402.9	28.6	389.6	27.4	366.4	25.5	343.2	23.6	328.3	22.4
	57	52	419.4	27.6	405.3	26.5	389.6	25.2	366.4	23.6	343.2	21.9	328.3	20.8
	62	56	421.1	25.6	407.0	24.6	389.6	23.4	366.4	21.9	343.2	20.4	328.3	19.5
	67	61	422.2	23.8	408.1	23.0	389.6	21.9	366.4	20.5	343.2	19.1	328.3	18.3
	72	66	422.8	22.3	408.7	21.5	389.6	20.5	366.4	19.2	343.2	18.0	328.3	17.2
75	69	423.0	21.5	409.0	20.7	389.6	19.7	366.4	18.6	343.2	17.4	328.3	16.6	
80	74	423.5	20.2	409.4	19.6	389.6	18.6	366.4	17.5	343.2	16.4	328.3	15.7	

NOTE - Power Input = Compressor + Outdoor Fan Motor.  
 MBH = 1000 BTUs per hour.

# HEATING CAPACITY - THREE MODULE | VRB408H4

Combination (%)	Outdoor Temperature (°F)		Indoor Temperature - °F Dry Bulb											
			61		64		67		70		73		75	
	Dry Bulb	Wet Bulb	Total Cap.	Power Input	Total Cap.	Power Input	Total Cap.	Power Input	Total Cap.	Power Input	Total Cap.	Power Input	Total Cap.	Power Input
			MBH	kW	MBH	kW	MBH	kW	MBH	kW	MBH	kW	MBH	kW
70%	-13	-14	239.3	26.5	238.7	27.2	238.1	27.9	237.5	28.7	236.9	29.6	236.5	30.1
	-8	-9	250.1	27.6	249.4	28.4	248.8	29.1	248.2	30.0	247.6	30.9	247.2	31.5
	-3	-4	267.0	29.3	266.3	30.1	265.6	30.9	264.9	31.8	264.3	32.7	263.8	33.4
	2	1	288.2	31.3	287.5	32.1	286.8	32.9	286.1	33.9	285.3	34.9	284.9	35.5
	7	6	312.4	33.3	311.6	34.2	310.9	35.0	310.1	36.0	300.3	36.0	287.2	35.1
	12	10	338.1	35.2	337.3	36.1	336.5	37.0	320.6	36.3	300.3	35.0	287.2	34.2
	17	15	364.3	36.8	359.6	37.3	340.9	36.3	320.6	35.2	300.3	33.9	287.2	33.1
	22	20	380.0	37.1	359.9	36.1	340.9	35.1	320.6	33.9	300.3	32.7	287.2	31.8
	27	24	378.9	35.7	358.3	34.6	340.9	33.7	320.6	32.5	300.3	31.3	287.2	30.5
	32	29	376.0	33.9	355.0	32.8	340.9	32.3	320.6	31.1	300.3	29.7	287.2	27.9
	37	34	371.3	32.0	349.9	30.9	340.9	30.8	320.6	29.0	300.3	26.6	287.2	25.1
	42	38	364.8	30.0	345.8	29.1	340.9	28.3	320.6	26.2	300.3	24.2	287.2	22.9
	47	43	361.9	28.0	349.6	26.7	340.9	25.7	320.6	23.9	300.3	22.1	287.2	21.0
	52	47	364.8	25.8	352.5	24.6	340.9	23.6	320.6	22.0	300.3	20.4	287.2	19.4
	57	52	367.0	23.8	354.7	22.8	340.9	21.8	320.6	20.3	300.3	18.9	287.2	18.0
	62	56	368.5	22.1	356.1	21.2	340.9	20.2	320.6	18.9	300.3	17.6	287.2	16.8
	67	61	369.4	20.6	357.1	19.8	340.9	18.9	320.6	17.7	300.3	16.5	287.2	15.7
	72	66	369.9	19.2	357.6	18.6	340.9	17.7	320.6	16.6	300.3	15.5	287.2	14.8
	75	69	370.2	18.5	357.8	17.9	340.9	17.0	320.6	16.0	300.3	15.0	287.2	14.3
	80	74	370.6	17.4	358.2	16.9	340.9	16.1	320.6	15.1	300.3	14.2	287.2	13.5
60%	-13	-14	238.3	26.0	237.7	26.7	237.1	27.4	236.5	28.2	235.9	29.0	235.5	29.6
	-8	-9	249.1	27.1	248.4	27.9	247.8	28.6	247.2	29.4	246.6	30.3	244.4	30.7
	-3	-4	265.9	28.8	265.2	29.6	264.6	30.3	263.9	31.2	257.4	31.4	246.2	30.7
	2	1	287.1	30.7	286.3	31.5	285.6	32.3	274.8	32.1	257.4	31.0	246.2	30.3
	7	6	311.1	32.7	308.5	33.3	292.2	32.5	274.8	31.5	257.4	30.4	246.2	29.7
	12	10	325.9	33.4	308.5	32.5	292.2	31.6	274.8	30.7	257.4	29.6	246.2	28.9
	17	15	325.9	32.5	308.5	31.6	292.2	30.7	274.8	29.7	257.4	28.6	246.2	27.9
	22	20	325.9	31.4	308.5	30.5	292.2	29.6	274.8	28.6	257.4	27.6	246.2	26.9
	27	24	325.9	30.2	308.5	29.4	292.2	28.5	274.8	27.5	257.4	26.5	246.2	25.8
	32	29	325.9	29.0	308.5	28.1	292.2	27.3	274.8	26.3	257.4	25.1	246.2	23.6
	37	34	325.9	27.7	308.5	26.9	292.2	26.0	274.8	24.5	257.4	22.5	246.2	21.2
	42	38	325.9	26.4	308.5	25.6	292.2	23.9	274.8	22.2	257.4	20.4	246.2	19.3
	47	43	325.9	24.9	308.5	23.3	292.2	21.8	274.8	20.2	257.4	18.7	246.2	17.7
	52	47	325.9	22.7	308.5	21.3	292.2	19.9	274.8	18.6	257.4	17.2	246.2	16.4
	57	52	325.9	20.8	308.5	19.6	292.2	18.4	274.8	17.2	257.4	16.0	246.2	15.2
	62	56	325.9	19.2	308.5	18.1	292.2	17.1	274.8	16.0	257.4	14.9	246.2	14.2
	67	61	325.9	17.9	308.5	16.9	292.2	15.9	274.8	14.9	257.4	13.9	246.2	13.3
	72	66	325.9	16.7	308.5	15.8	292.2	14.9	274.8	14.0	257.4	13.1	246.2	12.5
	75	69	325.9	16.1	308.5	15.2	292.2	14.4	274.8	13.5	257.4	12.7	246.2	12.1
	80	74	325.9	15.1	308.5	14.3	292.2	13.6	274.8	12.8	257.4	12.0	246.2	11.4
50%	-13	-14	237.3	25.5	236.7	26.2	236.2	26.9	229.0	26.9	214.5	26.0	205.2	25.4
	-8	-9	248.1	26.7	247.4	27.4	243.5	27.7	229.0	26.9	214.5	26.0	205.2	25.4
	-3	-4	264.8	28.3	257.1	28.3	243.5	27.5	229.0	26.7	214.5	25.8	205.2	25.2
	2	1	271.6	28.6	257.1	27.9	243.5	27.2	229.0	26.4	214.5	25.5	205.2	24.9
	7	6	271.6	28.1	257.1	27.4	243.5	26.7	229.0	25.8	214.5	25.0	205.2	24.4
	12	10	271.6	27.5	257.1	26.7	243.5	26.0	229.0	25.2	214.5	24.3	205.2	23.7
	17	15	271.6	26.7	257.1	26.0	243.5	25.2	229.0	24.4	214.5	23.5	205.2	23.0
	22	20	271.6	25.8	257.1	25.1	243.5	24.3	229.0	23.5	214.5	22.7	205.2	22.1
	27	24	271.6	24.8	257.1	24.1	243.5	23.4	229.0	22.6	214.5	21.7	205.2	21.2
	32	29	271.6	23.8	257.1	23.1	243.5	22.4	229.0	21.6	214.5	20.6	205.2	19.4
	37	34	271.6	22.8	257.1	22.1	243.5	21.4	229.0	20.1	214.5	18.5	205.2	17.4
	42	38	271.6	21.7	257.1	21.0	243.5	19.7	229.0	18.2	214.5	16.8	205.2	15.9
	47	43	271.6	20.5	257.1	19.1	243.5	17.9	229.0	16.6	214.5	15.3	205.2	14.6
	52	47	271.6	18.6	257.1	17.5	243.5	16.4	229.0	15.3	214.5	14.1	205.2	13.4
	57	52	271.6	17.1	257.1	16.1	243.5	15.1	229.0	14.1	214.5	13.1	205.2	12.5
	62	56	271.6	15.8	257.1	14.9	243.5	14.0	229.0	13.1	214.5	12.2	205.2	11.7
	67	61	271.6	14.7	257.1	13.9	243.5	13.1	229.0	12.3	214.5	11.5	205.2	10.9
	72	66	271.6	13.7	257.1	13.0	243.5	12.3	229.0	11.5	214.5	10.8	205.2	10.3
	75	69	271.6	13.2	257.1	12.5	243.5	11.8	229.0	11.1	214.5	10.4	205.2	9.9
	80	74	271.6	12.4	257.1	11.8	243.5	11.2	229.0	10.5	214.5	9.8	205.2	9.4

NOTE - Power Input = Compressor + Outdoor Fan Motor.  
MBH = 1000 BTUs per hour.



## COOLING CAPACITY - THREE MODULE | VRB432H4

Combination (%)	Outdoor Temperature °F (Dry Bulb)	Indoor Temperature - °F (Dry Bulb / Wet Bulb)											
		67 / 57		71 / 60		75 / 63		80 / 67		85 / 71		90 / 75	
		Total Cap.	Power Input	Total Cap.	Power Input	Total Cap.	Power Input	Total Cap.	Power Input	Total Cap.	Power Input	Total Cap.	Power Input
		MBH	kW	MBH	kW	MBH	kW	MBH	kW	MBH	kW	MBH	kW
130%	-10	331.1	14.0	402.3	17.2	469.4	20.3	561.6	24.7	658.0	29.6	742.7	34.3
	-5	331.1	14.9	402.3	18.3	469.4	21.6	561.6	26.3	658.0	31.5	719.0	35.2
	10	331.1	15.2	402.3	18.7	469.4	22.0	561.6	26.8	658.0	32.2	710.5	35.6
	15	331.1	15.5	402.3	19.1	469.4	22.5	561.6	27.4	655.4	32.7	696.8	35.7
	20	331.1	15.8	402.3	19.5	469.4	23.0	561.6	28.0	651.2	33.2	682.4	35.7
	25	331.1	16.2	402.3	19.9	469.4	23.5	561.6	28.7	646.9	33.8	667.2	35.7
	30	331.1	16.6	402.3	20.4	469.4	24.1	561.6	29.3	636.4	34.0	652.5	35.7
	35	331.1	17.0	402.3	20.9	469.4	24.7	561.6	30.0	627.7	34.4	638.5	35.8
	40	331.1	17.4	402.3	21.4	469.4	25.3	561.6	30.8	622.6	34.9	630.1	36.2
	45	331.1	17.8	402.3	21.9	469.4	25.9	561.6	31.6	621.3	35.7	627.5	37.0
	50	331.1	18.3	402.3	22.5	469.4	26.6	561.6	32.4	617.3	36.4	625.9	37.8
	55	331.1	18.8	402.3	23.1	469.4	27.3	561.6	33.2	616.7	37.3	625.3	38.8
	60	331.1	19.3	402.3	23.7	469.4	28.0	561.6	34.1	618.8	38.5	625.3	39.8
	65	331.1	19.8	402.3	24.4	469.4	28.8	561.6	35.1	613.7	39.2	625.5	41.0
	70	331.1	21.6	402.3	26.5	469.4	31.3	561.6	38.2	613.6	42.7	625.3	44.6
	75	331.1	23.7	402.3	29.1	469.4	34.4	558.6	41.7	612.3	46.8	624.0	48.8
	80	331.1	26.0	402.3	32.0	469.4	37.7	557.1	45.6	609.0	51.1	620.7	53.3
	85	331.1	28.5	402.3	35.1	469.4	41.4	554.8	49.9	602.8	55.5	614.4	57.9
	90	331.1	31.3	402.3	38.4	469.4	45.4	551.3	54.3	592.4	59.7	603.8	62.3
	95	331.1	34.1	402.3	42.0	469.4	49.5	530.9	57.2	545.8	60.1	554.4	62.5
100	331.1	37.1	402.3	45.6	463.1	53.2	514.9	60.3	522.6	62.6	532.6	65.3	
105	331.1	40.1	402.3	49.3	453.8	56.3	479.0	60.6	493.2	63.8	502.7	66.6	
110	331.1	42.9	391.0	51.3	424.5	56.4	441.1	59.7	454.2	62.8	462.9	65.6	
115	323.8	44.4	362.6	50.4	377.6	53.1	392.1	56.1	403.8	59.1	411.5	61.7	
118	307.9	43.5	331.4	47.3	342.9	49.6	356.1	52.4	366.7	55.2	373.8	57.6	
125	225.9	33.3	235.8	35.2	244.0	36.8	253.4	38.9	260.9	41.0	265.9	42.8	
120%	-10	305.6	12.7	371.4	15.6	433.3	18.4	518.4	22.5	607.4	26.9	692.5	31.4
	-5	305.6	13.5	371.4	16.6	433.3	19.6	518.4	23.9	607.4	28.6	687.3	33.2
	10	305.6	13.8	371.4	17.0	433.3	20.0	518.4	24.4	607.4	29.2	683.4	33.7
	15	305.6	14.1	371.4	17.3	433.3	20.5	518.4	24.9	607.4	29.9	674.1	34.0
	20	305.6	14.4	371.4	17.7	433.3	20.9	518.4	25.5	607.4	30.5	664.8	34.2
	25	305.6	14.7	371.4	18.1	433.3	21.4	518.4	26.1	607.4	31.2	655.2	34.5
	30	305.6	15.1	371.4	18.5	433.3	21.9	518.4	26.7	603.1	31.7	640.7	34.5
	35	305.6	15.4	371.4	19.0	433.3	22.4	518.4	27.3	599.2	32.3	626.8	34.6
	40	305.6	15.8	371.4	19.4	433.3	23.0	518.4	28.0	596.7	33.0	618.2	35.0
	45	305.6	16.2	371.4	19.9	433.3	23.5	518.4	28.7	595.7	33.7	615.7	35.7
	50	305.6	16.6	371.4	20.4	433.3	24.1	518.4	29.4	594.9	34.5	614.1	36.5
	55	305.6	17.1	371.4	21.0	433.3	24.8	518.4	30.2	594.3	35.4	613.5	37.5
	60	305.6	17.5	371.4	21.6	433.3	25.4	518.4	31.0	594.4	36.4	613.5	38.5
	65	305.6	18.0	371.4	22.2	433.3	26.2	518.4	31.9	592.8	37.3	613.7	39.6
	70	305.6	19.6	371.4	24.1	433.3	28.5	518.4	34.7	592.1	40.6	613.5	43.0
	75	305.6	21.5	371.4	26.5	433.3	31.2	518.4	38.1	591.2	44.4	612.3	47.1
	80	305.6	23.6	371.4	29.0	433.3	34.3	518.4	41.8	588.9	48.6	609.0	51.5
	85	305.6	25.9	371.4	31.9	433.3	37.6	518.4	45.9	583.9	52.9	602.8	55.9
	90	305.6	28.4	371.4	34.9	433.3	41.2	518.4	50.3	576.2	57.2	592.4	60.2
	95	305.6	31.0	371.4	38.1	433.3	45.0	507.4	53.8	545.8	59.2	554.4	61.6
100	305.6	33.7	371.4	41.5	433.3	48.9	500.9	57.7	522.6	61.6	532.6	64.3	
105	305.6	36.4	371.4	44.8	427.7	52.2	476.9	59.4	493.2	62.8	502.7	65.5	
110	305.6	39.0	368.6	47.6	412.4	53.9	441.1	58.8	454.2	61.9	462.9	64.6	
115	305.6	41.2	352.3	48.2	377.6	52.2	392.1	55.3	403.8	58.2	411.5	60.7	
118	295.6	41.1	330.0	46.4	342.9	48.8	356.1	51.6	366.7	54.4	373.8	56.7	
125	225.9	32.8	235.8	34.6	244.0	36.2	253.4	38.3	260.9	40.4	265.9	42.1	

NOTE - Power Input = Compressor + Outdoor Fan Motor.  
 MBH = 1000 BTUs per hour.

# COOLING CAPACITY - THREE MODULE | VRB432H4

Combination (%)	Outdoor Temperature °F (Dry Bulb)	Indoor Temperature - °F (Dry Bulb / Wet Bulb)											
		67 / 57		71 / 60		75 / 63		80 / 67		85 / 71		90 / 75	
		Total Cap.	Power Input	Total Cap.	Power Input	Total Cap.	Power Input	Total Cap.	Power Input	Total Cap.	Power Input	Total Cap.	Power Input
		MBH	KW	MBH	KW	MBH	KW	MBH	KW	MBH	KW	MBH	KW
110%	-10	280.2	11.5	340.4	14.1	397.2	16.6	475.2	20.3	556.8	24.3	634.8	28.4
	-5	280.2	12.2	340.4	15.0	397.2	17.7	475.2	21.6	556.8	25.8	634.8	30.2
	10	280.2	12.4	340.4	15.3	397.2	18.1	475.2	22.0	556.8	26.4	634.8	30.8
	15	280.2	12.7	340.4	15.6	397.2	18.5	475.2	22.5	556.8	27.0	634.7	31.5
	20	280.2	13.0	340.4	16.0	397.2	18.9	475.2	23.0	556.8	27.5	630.6	32.0
	25	280.2	13.3	340.4	16.3	397.2	19.3	475.2	23.5	556.8	28.2	626.4	32.5
	30	280.2	13.6	340.4	16.7	397.2	19.8	475.2	24.1	556.8	28.8	619.1	32.9
	35	280.2	13.9	340.4	17.1	397.2	20.2	475.2	24.7	556.8	29.5	610.6	33.2
	40	280.2	14.3	340.4	17.5	397.2	20.7	475.2	25.3	556.8	30.3	605.2	33.7
	45	280.2	14.6	340.4	18.0	397.2	21.2	475.2	25.9	556.8	31.0	603.8	34.5
	50	280.2	15.0	340.4	18.5	397.2	21.8	475.2	26.6	556.8	31.8	602.3	35.3
	55	280.2	15.4	340.4	18.9	397.2	22.4	475.2	27.3	556.8	32.7	601.7	36.2
	60	280.2	15.8	340.4	19.5	397.2	23.0	475.2	28.0	554.7	33.4	601.7	37.2
	65	280.2	16.3	340.4	20.0	397.2	23.6	475.2	28.8	553.2	34.3	601.9	38.2
	70	280.2	17.7	340.4	21.8	397.2	25.7	475.2	31.3	552.6	37.2	601.7	41.6
	75	280.2	19.4	340.4	23.9	397.2	28.2	475.2	34.4	551.7	40.8	600.5	45.5
	80	280.2	21.3	340.4	26.2	397.2	31.0	475.2	37.7	550.2	44.7	597.3	49.7
	85	280.2	23.4	340.4	28.8	397.2	34.0	475.2	41.4	547.9	48.8	591.2	54.0
	90	280.2	25.6	340.4	31.5	397.2	37.2	475.2	45.4	544.6	53.2	581.0	58.2
	95	280.2	28.0	340.4	34.4	397.2	40.6	475.2	49.5	537.5	57.4	554.4	60.6
100	280.2	30.4	340.4	37.4	397.2	44.2	471.7	53.5	519.0	60.2	532.6	63.3	
105	280.2	32.9	340.4	40.4	397.2	47.7	460.4	56.4	493.2	61.8	502.7	64.5	
110	280.2	35.2	340.4	43.2	389.7	50.1	436.7	57.3	454.2	60.9	462.9	63.6	
115	280.2	37.2	333.0	44.8	368.8	50.3	392.1	54.4	403.8	57.3	411.5	59.8	
118	277.2	37.9	319.7	44.3	342.9	48.1	356.1	50.8	366.7	53.5	373.8	55.9	
125	225.9	32.3	235.8	34.1	244.0	35.7	253.4	37.8	260.9	39.7	265.9	41.5	
100%	-10	254.7	10.3	309.5	12.6	361.1	14.9	432.0	18.2	506.1	21.8	577.1	25.4
	-5	254.7	10.9	309.5	13.4	361.1	15.8	432.0	19.3	506.1	23.1	577.1	27.0
	10	254.7	11.1	309.5	13.7	361.1	16.2	432.0	19.7	506.1	23.6	577.1	27.6
	15	254.7	11.4	309.5	14.0	361.1	16.5	432.0	20.2	506.1	24.1	577.1	28.2
	20	254.7	11.6	309.5	14.3	361.1	16.9	432.0	20.6	506.1	24.7	576.9	28.8
	25	254.7	11.9	309.5	14.6	361.1	17.3	432.0	21.1	506.1	25.2	575.3	29.4
	30	254.7	12.2	309.5	15.0	361.1	17.7	432.0	21.6	506.1	25.8	573.7	30.0
	35	254.7	12.5	309.5	15.3	361.1	18.1	432.0	22.1	506.1	26.4	572.2	30.6
	40	254.7	12.8	309.5	15.7	361.1	18.6	432.0	22.6	506.1	27.1	571.0	31.3
	45	254.7	13.1	309.5	16.1	361.1	19.0	432.0	23.2	506.1	27.8	570.1	32.1
	50	254.7	13.4	309.5	16.5	361.1	19.5	432.0	23.8	506.1	28.5	569.3	32.8
	55	254.7	13.8	309.5	17.0	361.1	20.0	432.0	24.4	506.1	29.2	568.7	33.7
	60	254.7	14.2	309.5	17.4	361.1	20.6	432.0	25.1	506.1	30.0	568.3	34.6
	65	254.7	14.6	309.5	17.9	361.1	21.1	432.0	25.8	506.1	30.9	567.8	35.5
	70	254.7	15.8	309.5	19.5	361.1	23.0	432.0	28.0	506.1	33.6	567.2	38.6
	75	254.7	17.4	309.5	21.4	361.1	25.2	432.0	30.8	506.1	36.9	566.2	42.3
	80	254.7	19.1	309.5	23.5	361.1	27.7	432.0	33.8	506.1	40.5	564.8	46.3
	85	254.7	21.0	309.5	25.8	361.1	30.4	432.0	37.1	506.1	44.4	562.5	50.6
	90	254.7	23.0	309.5	28.2	361.1	33.3	432.0	40.6	505.3	48.6	558.7	55.1
	95	254.7	25.1	309.5	30.8	361.1	36.4	<b>432.0</b>	<b>44.4</b>	500.7	52.6	547.6	59.0
100	254.7	27.3	309.5	33.5	361.1	39.6	432.0	48.2	494.5	56.5	532.2	62.3	
105	254.7	29.4	309.5	36.2	361.1	42.7	429.2	51.7	481.8	59.5	502.7	63.6	
110	254.7	31.5	309.5	38.7	361.1	45.7	418.8	54.1	454.2	60.0	462.9	62.6	
115	254.7	33.3	309.5	41.0	350.9	47.1	389.5	53.3	403.8	56.4	411.5	58.9	
118	254.7	34.3	301.7	41.1	333.7	46.1	356.1	50.1	366.7	52.7	373.8	55.0	
125	222.1	31.3	235.8	33.6	244.0	35.2	253.4	37.2	260.9	39.2	265.9	40.9	

NOTE - Power Input = Compressor + Outdoor Fan Motor.  
 MBH = 1000 BTUs per hour.

# COOLING CAPACITY - THREE MODULE | VRB432H4

Combination (%)	Outdoor Temperature °F (Dry Bulb)	Indoor Temperature - °F (Dry Bulb / Wet Bulb)											
		67 / 57		71 / 60		75 / 63		80 / 67		85 / 71		90 / 75	
		Total Cap.	Power Input	Total Cap.	Power Input	Total Cap.	Power Input	Total Cap.	Power Input	Total Cap.	Power Input	Total Cap.	Power Input
		MBH	kW	MBH	kW	MBH	kW	MBH	kW	MBH	kW	MBH	kW
90%	-10	229.2	9.1	278.5	11.2	325.0	13.2	388.8	16.1	455.5	19.3	519.4	22.5
	-5	229.2	9.7	278.5	11.9	325.0	14.0	388.8	17.1	455.5	20.5	519.4	23.9
	10	229.2	9.9	278.5	12.1	325.0	14.3	388.8	17.5	455.5	20.9	519.4	24.5
	15	229.2	10.1	278.5	12.4	325.0	14.7	388.8	17.9	455.5	21.4	519.4	25.0
	20	229.2	10.3	278.5	12.7	325.0	15.0	388.8	18.3	455.5	21.9	519.4	25.5
	25	229.2	10.6	278.5	13.0	325.0	15.3	388.8	18.7	455.5	22.4	519.4	26.1
	30	229.2	10.8	278.5	13.3	325.0	15.7	388.8	19.1	455.5	22.9	519.4	26.7
	35	229.2	11.1	278.5	13.6	325.0	16.1	388.8	19.6	455.5	23.4	519.4	27.4
	40	229.2	11.3	278.5	13.9	325.0	16.5	388.8	20.1	455.5	24.0	519.4	28.0
	45	229.2	11.6	278.5	14.3	325.0	16.9	388.8	20.6	455.5	24.6	519.4	28.8
	50	229.2	11.9	278.5	14.7	325.0	17.3	388.8	21.1	455.5	25.3	519.4	29.5
	55	229.2	12.2	278.5	15.0	325.0	17.8	388.8	21.6	455.5	25.9	519.4	30.3
	60	229.2	12.6	278.5	15.4	325.0	18.2	388.8	22.2	455.5	26.6	519.4	31.1
	65	229.2	12.9	278.5	15.9	325.0	18.7	388.8	22.9	455.5	27.4	519.4	32.0
	70	229.2	14.1	278.5	17.3	325.0	20.4	388.8	24.9	455.5	29.8	519.4	34.8
	75	229.2	15.4	278.5	19.0	325.0	22.4	388.8	27.3	455.5	32.7	519.4	38.2
	80	229.2	16.9	278.5	20.8	325.0	24.6	388.8	30.0	455.5	35.9	519.4	41.9
	85	229.2	18.6	278.5	22.8	325.0	27.0	388.8	32.9	455.5	39.4	517.9	45.9
	90	229.2	20.4	278.5	25.0	325.0	29.6	388.8	36.0	455.5	43.1	514.7	49.9
	95	229.2	22.2	278.5	27.3	325.0	32.3	388.8	39.3	455.5	47.1	512.9	54.4
100	229.2	24.2	278.5	29.7	325.0	35.1	388.8	42.8	455.3	51.2	506.5	58.4	
105	229.2	26.1	278.5	32.1	325.0	37.9	388.8	46.2	449.6	54.6	492.3	61.3	
110	229.2	27.9	278.5	34.3	325.0	40.5	387.6	49.3	438.5	57.1	462.9	61.7	
115	229.2	29.6	278.5	36.3	324.8	42.9	374.4	50.4	403.8	55.6	411.5	58.1	
118	229.2	30.4	278.5	37.3	315.6	42.9	351.2	48.7	366.7	51.9	373.8	54.2	
125	213.6	29.6	235.8	33.1	244.0	34.6	253.4	36.6	260.9	38.6	265.9	40.3	
80%	-10	203.7	8.0	247.6	9.8	288.9	11.6	345.6	14.1	404.9	16.9	461.7	19.7
	-5	203.7	8.5	247.6	10.4	288.9	12.3	345.6	15.0	404.9	18.0	461.7	21.0
	10	203.7	8.7	247.6	10.6	288.9	12.6	345.6	15.3	404.9	18.3	461.7	21.4
	15	203.7	8.8	247.6	10.9	288.9	12.8	345.6	15.7	404.9	18.8	461.7	21.9
	20	203.7	9.0	247.6	11.1	288.9	13.1	345.6	16.0	404.9	19.2	461.7	22.4
	25	203.7	9.2	247.6	11.4	288.9	13.4	345.6	16.4	404.9	19.6	461.7	22.9
	30	203.7	9.5	247.6	11.6	288.9	13.7	345.6	16.7	404.9	20.1	461.7	23.4
	35	203.7	9.7	247.6	11.9	288.9	14.1	345.6	17.1	404.9	20.5	461.7	24.0
	40	203.7	9.9	247.6	12.2	288.9	14.4	345.6	17.6	404.9	21.0	461.7	24.6
	45	203.7	10.2	247.6	12.5	288.9	14.8	345.6	18.0	404.9	21.6	461.7	25.2
	50	203.7	10.4	247.6	12.8	288.9	15.2	345.6	18.5	404.9	22.1	461.7	25.8
	55	203.7	10.7	247.6	13.2	288.9	15.6	345.6	19.0	404.9	22.7	461.7	26.5
	60	203.7	11.0	247.6	13.5	288.9	16.0	345.6	19.5	404.9	23.3	461.7	27.2
	65	203.7	11.3	247.6	13.9	288.9	16.4	345.6	20.0	404.9	24.0	461.7	28.0
	70	203.7	12.3	247.6	15.1	288.9	17.9	345.6	21.8	404.9	26.1	461.7	30.5
	75	203.7	13.5	247.6	16.6	288.9	19.6	345.6	23.9	404.9	28.6	461.7	33.4
	80	203.7	14.8	247.6	18.2	288.9	21.5	345.6	26.2	404.9	31.4	461.7	36.7
	85	203.7	16.3	247.6	20.0	288.9	23.6	345.6	28.8	404.9	34.5	461.7	40.3
	90	203.7	17.8	247.6	21.9	288.9	25.9	345.6	31.5	404.9	37.8	461.7	44.1
	95	203.7	19.5	247.6	23.9	288.9	28.3	345.6	34.5	404.9	41.3	461.7	48.2
100	203.7	21.2	247.6	26.0	288.9	30.7	345.6	37.5	404.9	44.9	461.7	52.4	
105	203.7	22.9	247.6	28.1	288.9	33.2	345.6	40.4	404.9	48.4	456.4	56.0	
110	203.7	24.5	247.6	30.1	288.9	35.5	345.6	43.3	402.4	51.5	445.5	58.5	
115	203.7	25.9	247.6	31.8	288.9	37.6	343.2	45.5	387.8	52.6	411.5	57.2	
118	203.7	26.6	247.6	32.7	288.9	38.6	333.6	45.5	363.1	50.7	373.8	53.4	
125	198.0	27.0	225.8	31.2	244.0	34.1	253.4	36.1	260.9	38.0	265.9	39.7	

NOTE - Power Input = Compressor + Outdoor Fan Motor.  
 MBH = 1000 BTUs per hour.

# COOLING CAPACITY - THREE MODULE | VRB432H4

Combination (%)	Outdoor Temperature °F (Dry Bulb)	Indoor Temperature - °F (Dry Bulb / Wet Bulb)											
		67 / 57		71 / 60		75 / 63		80 / 67		85 / 71		90 / 75	
		Total Cap.	Power Input	Total Cap.	Power Input	Total Cap.	Power Input	Total Cap.	Power Input	Total Cap.	Power Input	Total Cap.	Power Input
		MBH	KW	MBH	KW	MBH	KW	MBH	KW	MBH	KW	MBH	KW
70%	-10	178.3	6.9	216.6	8.5	252.8	10.0	302.4	12.2	354.3	14.6	404.0	17.0
	-5	178.3	7.3	216.6	9.0	252.8	10.6	302.4	12.9	354.3	15.5	404.0	18.1
	10	178.3	7.5	216.6	9.2	252.8	10.8	302.4	13.2	354.3	15.8	404.0	18.5
	15	178.3	7.6	216.6	9.4	252.8	11.1	302.4	13.5	354.3	16.2	404.0	18.9
	20	178.3	7.8	216.6	9.6	252.8	11.3	302.4	13.8	354.3	16.5	404.0	19.3
	25	178.3	8.0	216.6	9.8	252.8	11.6	302.4	14.1	354.3	16.9	404.0	19.7
	30	178.3	8.2	216.6	10.0	252.8	11.8	302.4	14.4	354.3	17.3	404.0	20.2
	35	178.3	8.4	216.6	10.3	252.8	12.1	302.4	14.8	354.3	17.7	404.0	20.7
	40	178.3	8.6	216.6	10.5	252.8	12.4	302.4	15.1	354.3	18.1	404.0	21.2
	45	178.3	8.8	216.6	10.8	252.8	12.7	302.4	15.5	354.3	18.6	404.0	21.7
	50	178.3	9.0	216.6	11.1	252.8	13.1	302.4	15.9	354.3	19.1	404.0	22.3
	55	178.3	9.2	216.6	11.4	252.8	13.4	302.4	16.4	354.3	19.6	404.0	22.9
	60	178.3	9.5	216.6	11.7	252.8	13.8	302.4	16.8	354.3	20.1	404.0	23.5
	65	178.3	9.8	216.6	12.0	252.8	14.2	302.4	17.3	354.3	20.7	404.0	24.1
	70	178.3	10.6	216.6	13.0	252.8	15.4	302.4	18.8	354.3	22.5	404.0	26.3
	75	178.3	11.7	216.6	14.3	252.8	16.9	302.4	20.6	354.3	24.7	404.0	28.8
	80	178.3	12.8	216.6	15.7	252.8	18.6	302.4	22.6	354.3	27.1	404.0	31.7
	85	178.3	14.0	216.6	17.3	252.8	20.4	302.4	24.8	354.3	29.8	404.0	34.7
	90	178.3	15.4	216.6	18.9	252.8	22.3	302.4	27.2	354.3	32.6	404.0	38.1
	95	178.3	16.8	216.6	20.6	252.8	24.4	302.4	29.7	354.3	35.6	404.0	41.6
100	178.3	18.3	216.6	22.4	252.8	26.5	302.4	32.3	354.3	38.7	404.0	45.2	
105	178.3	19.7	216.6	24.2	252.8	28.6	302.4	34.9	354.3	41.8	404.0	48.8	
110	178.3	21.1	216.6	25.9	252.8	30.6	302.4	37.3	354.3	44.7	403.8	52.2	
115	178.3	22.3	216.6	27.4	252.8	32.4	302.4	39.5	352.2	47.0	389.9	53.4	
118	178.3	23.0	216.6	28.2	252.8	33.3	302.4	40.6	342.4	47.1	367.2	51.7	
125	176.5	23.7	209.5	28.5	232.5	32.0	253.4	35.6	260.9	37.5	265.9	39.1	
60%	-10	152.8	5.8	185.7	7.1	216.6	8.4	259.2	10.3	303.7	12.3	346.2	14.4
	-5	152.8	6.2	185.7	7.6	216.6	9.0	259.2	10.9	303.7	13.1	346.2	15.3
	10	152.8	6.3	185.7	7.8	216.6	9.2	259.2	11.2	303.7	13.4	346.2	15.6
	15	152.8	6.4	185.7	7.9	216.6	9.4	259.2	11.4	303.7	13.7	346.2	16.0
	20	152.8	6.6	185.7	8.1	216.6	9.6	259.2	11.7	303.7	14.0	346.2	16.3
	25	152.8	6.7	185.7	8.3	216.6	9.8	259.2	11.9	303.7	14.3	346.2	16.7
	30	152.8	6.9	185.7	8.5	216.6	10.0	259.2	12.2	303.7	14.6	346.2	17.1
	35	152.8	7.1	185.7	8.7	216.6	10.3	259.2	12.5	303.7	15.0	346.2	17.5
	40	152.8	7.2	185.7	8.9	216.6	10.5	259.2	12.8	303.7	15.3	346.2	17.9
	45	152.8	7.4	185.7	9.1	216.6	10.8	259.2	13.1	303.7	15.7	346.2	18.4
	50	152.8	7.6	185.7	9.4	216.6	11.0	259.2	13.5	303.7	16.1	346.2	18.8
	55	152.8	7.8	185.7	9.6	216.6	11.3	259.2	13.8	303.7	16.6	346.2	19.3
	60	152.8	8.0	185.7	9.9	216.6	11.6	259.2	14.2	303.7	17.0	346.2	19.9
	65	152.8	8.2	185.7	10.1	216.6	12.0	259.2	14.6	303.7	17.5	346.2	20.4
	70	152.8	9.0	185.7	11.0	216.6	13.0	259.2	15.9	303.7	19.0	346.2	22.2
	75	152.8	9.8	185.7	12.1	216.6	14.3	259.2	17.4	303.7	20.9	346.2	24.4
	80	152.8	10.8	185.7	13.3	216.6	15.7	259.2	19.1	303.7	22.9	346.2	26.8
	85	152.8	11.9	185.7	14.6	216.6	17.2	259.2	21.0	303.7	25.1	346.2	29.4
	90	152.8	13.0	185.7	16.0	216.6	18.9	259.2	23.0	303.7	27.5	346.2	32.2
	95	152.8	14.2	185.7	17.4	216.6	20.6	259.2	25.1	303.7	30.1	346.2	35.1
100	152.8	15.4	185.7	19.0	216.6	22.4	259.2	27.3	303.7	32.7	346.2	38.2	
105	152.8	16.7	185.7	20.5	216.6	24.2	259.2	29.5	303.7	35.3	346.2	41.2	
110	152.8	17.8	185.7	21.9	216.6	25.9	259.2	31.5	303.7	37.8	346.2	44.1	
115	152.8	18.9	185.7	23.2	216.6	27.4	259.2	33.4	303.7	40.0	346.2	46.7	
118	152.8	19.4	185.7	23.8	216.6	28.1	259.2	34.3	303.7	41.1	338.2	46.9	
125	152.8	20.2	185.7	24.9	211.4	28.7	240.4	33.3	259.8	36.8	265.9	38.6	

NOTE - Power Input = Compressor + Outdoor Fan Motor.  
 MBH = 1000 BTUs per hour.

## COOLING CAPACITY - THREE MODULE | VRB432H4

Combination (%)	Outdoor Temperature °F (Dry Bulb)	Indoor Temperature - °F (Dry Bulb / Wet Bulb)											
		67 / 57		71 / 60		75 / 63		80 / 67		85 / 71		90 / 75	
		Total Cap.	Power Input	Total Cap.	Power Input	Total Cap.	Power Input	Total Cap.	Power Input	Total Cap.	Power Input	Total Cap.	Power Input
		MBH	kW	MBH	kW	MBH	kW	MBH	kW	MBH	kW	MBH	kW
50%	-10	122.8	4.6	154.7	5.9	180.5	6.9	216.0	8.4	253.1	10.1	288.5	11.8
	-5	127.3	5.1	154.7	6.2	180.5	7.4	216.0	9.0	253.1	10.8	288.5	12.6
	10	127.3	5.2	154.7	6.4	180.5	7.5	216.0	9.2	253.1	11.0	288.5	12.8
	15	127.3	5.3	154.7	6.5	180.5	7.7	216.0	9.4	253.1	11.2	288.5	13.1
	20	127.3	5.4	154.7	6.7	180.5	7.9	216.0	9.6	253.1	11.5	288.5	13.4
	25	127.3	5.5	154.7	6.8	180.5	8.0	216.0	9.8	253.1	11.7	288.5	13.7
	30	127.3	5.7	154.7	7.0	180.5	8.2	216.0	10.0	253.1	12.0	288.5	14.0
	35	127.3	5.8	154.7	7.1	180.5	8.4	216.0	10.3	253.1	12.3	288.5	14.4
	40	127.3	5.9	154.7	7.3	180.5	8.6	216.0	10.5	253.1	12.6	288.5	14.7
	45	127.3	6.1	154.7	7.5	180.5	8.8	216.0	10.8	253.1	12.9	288.5	15.1
	50	127.3	6.3	154.7	7.7	180.5	9.1	216.0	11.1	253.1	13.2	288.5	15.5
	55	127.3	6.4	154.7	7.9	180.5	9.3	216.0	11.4	253.1	13.6	288.5	15.9
	60	127.3	6.6	154.7	8.1	180.5	9.6	216.0	11.7	253.1	14.0	288.5	16.3
	65	127.3	6.8	154.7	8.3	180.5	9.8	216.0	12.0	253.1	14.4	288.5	16.8
	70	127.3	7.4	154.7	9.1	180.5	10.7	216.0	13.0	253.1	15.6	288.5	18.2
	75	127.3	8.1	154.7	9.9	180.5	11.7	216.0	14.3	253.1	17.1	288.5	20.0
	80	127.3	8.9	154.7	10.9	180.5	12.9	216.0	15.7	253.1	18.8	288.5	22.0
	85	127.3	9.7	154.7	12.0	180.5	14.1	216.0	17.2	253.1	20.7	288.5	24.1
	90	127.3	10.7	154.7	13.1	180.5	15.5	216.0	18.9	253.1	22.6	288.5	26.4
	95	127.3	11.7	154.7	14.3	180.5	16.9	216.0	20.6	253.1	24.7	288.5	28.9
100	127.3	12.7	154.7	15.6	180.5	18.4	216.0	22.4	253.1	26.9	288.5	31.4	
105	127.3	13.7	154.7	16.8	180.5	19.9	216.0	24.2	253.1	29.0	288.5	33.9	
110	127.3	14.7	154.7	18.0	180.5	21.3	216.0	25.9	253.1	31.0	288.5	36.3	
115	127.3	15.5	154.7	19.1	180.5	22.5	216.0	27.4	253.1	32.8	288.5	38.4	
118	127.3	15.9	154.7	19.6	180.5	23.1	216.0	28.2	253.1	33.8	288.5	39.4	
125	127.3	16.6	154.7	20.4	180.5	24.1	213.0	29.0	241.5	33.7	257.8	36.8	

NOTE - Power Input = Compressor + Outdoor Fan Motor.  
 MBH = 1000 BTUs per hour.

# HEATING CAPACITY - THREE MODULE | VRB432H4

Combination (%)	Outdoor Temperature (°F)		Indoor Temperature - °F Dry Bulb											
			61		64		67		70		73		75	
	Dry Bulb	Wet Bulb	Total Cap.	Power Input	Total Cap.	Power Input	Total Cap.	Power Input	Total Cap.	Power Input	Total Cap.	Power Input	Total Cap.	Power Input
			MBH	kW	MBH	kW	MBH	kW	MBH	kW	MBH	kW	MBH	kW
130%	-13	-14	268.6	33.8	267.9	34.7	267.2	35.6	266.5	36.7	265.9	37.8	265.4	38.5
	-8	-9	279.2	35.1	278.5	36.1	277.8	37.0	277.1	38.1	276.4	39.3	275.9	40.0
	-3	-4	297.0	37.2	296.3	38.2	295.6	39.2	294.8	40.3	294.1	41.5	293.6	42.3
	2	1	320.1	39.6	319.3	40.6	318.6	41.7	317.7	42.8	316.9	44.1	316.4	45.0
	7	6	346.6	42.1	345.7	43.1	344.9	44.2	344.0	45.5	343.1	46.8	342.5	47.7
	12	10	374.8	44.4	373.9	45.5	373.0	46.7	372.0	47.9	371.0	49.2	370.4	50.2
	17	15	403.4	46.4	402.4	47.6	401.4	48.7	400.3	50.0	399.3	51.3	398.7	52.2
	22	20	431.1	48.0	430.0	49.1	429.0	50.2	427.9	51.5	426.8	52.8	426.0	53.7
	27	24	457.0	49.0	455.8	50.1	454.7	51.2	453.6	52.4	452.4	53.7	451.7	54.6
	32	29	480.4	49.4	479.2	50.4	478.0	51.5	476.8	52.7	475.8	53.5	474.8	52.5
	37	34	500.7	49.2	499.4	50.2	498.2	51.2	497.2	51.2	496.2	50.1	495.3	49.3
	42	38	517.6	48.5	516.6	49.5	515.6	48.8	514.7	47.9	513.7	47.0	512.7	46.5
	47	43	548.2	48.4	547.2	47.7	546.3	47.0	545.3	46.3	544.3	45.6	543.3	45.2
	52	47	601.8	48.4	600.9	47.8	599.9	47.3	598.9	46.7	586.4	45.3	564.9	43.4
	57	52	653.5	48.3	652.5	47.8	651.6	47.4	630.5	45.6	590.7	42.4	564.9	40.3
	62	56	703.3	48.0	698.5	47.4	670.3	45.3	630.5	42.4	590.7	39.5	564.9	37.6
	67	61	741.7	47.1	707.8	44.8	670.3	42.3	630.5	39.6	590.7	37.0	564.9	35.3
	72	66	747.7	44.4	707.8	41.9	670.3	39.6	630.5	37.2	590.7	34.8	564.9	33.2
	75	69	747.7	42.7	707.8	40.4	670.3	38.2	630.5	35.9	590.7	33.6	564.9	32.1
	80	74	747.7	40.1	707.8	38.0	670.3	36.0	630.5	33.9	590.7	31.8	564.9	30.4
120%	-13	-14	267.5	33.1	266.8	34.0	266.2	34.9	265.5	35.9	264.8	37.0	264.4	37.8
	-8	-9	278.1	34.5	277.4	35.4	276.7	36.3	276.0	37.4	275.3	38.5	274.8	39.3
	-3	-4	295.9	36.4	295.1	37.4	294.4	38.4	293.7	39.5	292.9	40.7	292.4	41.5
	2	1	318.9	38.8	318.1	39.8	317.3	40.9	316.5	42.0	315.7	43.2	315.1	44.1
	7	6	345.2	41.2	344.4	42.3	343.5	43.4	342.6	44.6	341.8	45.9	341.2	46.7
	12	10	373.3	43.5	372.4	44.7	371.5	45.8	370.5	47.0	369.6	48.3	369.0	49.2
	17	15	401.8	45.5	400.8	46.6	399.8	47.8	398.8	49.0	397.7	50.3	397.1	51.2
	22	20	429.4	47.0	428.3	48.2	427.3	49.3	426.2	50.5	425.1	51.8	424.4	52.7
	27	24	455.2	48.0	454.0	49.1	452.9	50.2	451.8	51.4	450.6	52.7	449.9	53.5
	32	29	478.5	48.4	477.3	49.5	476.1	50.5	474.9	51.7	473.9	52.5	472.9	51.5
	37	34	498.7	48.3	497.4	49.3	496.2	50.2	495.2	50.2	494.3	49.1	493.3	48.4
	42	38	515.5	47.6	514.6	48.5	513.6	47.9	512.6	47.0	511.7	46.1	508.1	45.4
	47	43	548.2	47.7	547.2	46.9	546.3	46.3	545.3	45.6	537.9	44.4	521.4	42.7
	52	47	601.8	47.7	600.9	47.1	599.9	46.6	581.5	44.7	545.2	41.5	521.4	39.5
	57	52	653.5	47.5	645.9	46.6	618.8	44.4	582.0	41.4	545.2	38.5	521.4	36.6
	62	56	688.0	46.3	653.4	43.7	618.8	41.2	582.0	38.5	545.2	35.9	521.4	34.2
	67	61	690.2	43.2	653.4	40.7	618.8	38.4	582.0	36.0	545.2	33.6	521.4	32.1
	72	66	690.2	40.3	653.4	38.1	618.8	36.0	582.0	33.8	545.2	31.6	521.4	30.2
	75	69	690.2	38.8	653.4	36.7	618.8	34.7	582.0	32.6	545.2	30.5	521.4	29.2
	80	74	690.2	36.5	653.4	34.5	618.8	32.7	582.0	30.8	545.2	28.9	521.4	27.6
110%	-13	-14	266.4	32.5	265.8	33.4	265.1	34.3	264.4	35.3	263.8	36.3	263.3	37.0
	-8	-9	277.0	33.8	276.3	34.7	275.6	35.6	274.9	36.7	274.2	37.8	273.7	38.5
	-3	-4	294.7	35.7	293.9	36.7	293.2	37.7	292.5	38.8	291.7	39.9	291.2	40.7
	2	1	317.6	38.0	316.8	39.1	316.0	40.1	315.2	41.2	314.4	42.4	313.9	43.2
	7	6	343.9	40.4	343.0	41.5	342.2	42.6	341.3	43.7	340.4	45.0	339.8	45.8
	12	10	371.9	42.7	370.9	43.8	370.0	44.9	369.1	46.1	368.1	47.4	367.5	48.2
	17	15	400.2	44.7	399.2	45.8	398.2	46.8	397.2	48.1	396.2	49.4	395.5	50.2
	22	20	427.7	46.1	426.6	47.2	425.6	48.3	424.5	49.5	423.4	50.8	422.7	51.7
	27	24	453.4	47.1	452.2	48.2	451.2	49.2	450.0	50.4	448.8	51.6	448.8	52.6
	32	29	476.6	47.5	475.4	48.5	474.2	49.5	473.0	50.7	472.0	51.5	466.5	50.1
	37	34	496.7	47.3	495.4	48.3	494.2	49.3	493.3	49.3	488.2	47.8	476.3	46.1
	42	38	513.5	46.7	512.5	47.6	511.5	47.0	510.6	46.1	496.7	44.2	478.0	42.1
	47	43	548.2	46.9	547.2	46.2	546.3	45.6	531.1	43.8	499.8	40.7	478.0	38.6
	52	47	601.8	46.9	592.6	45.8	567.2	43.4	533.5	40.4	499.8	37.5	478.0	35.6
	57	52	632.7	45.3	598.9	42.6	567.2	40.0	533.5	37.4	499.8	34.8	478.0	33.1
	62	56	632.7	41.9	598.9	39.5	567.2	37.2	533.5	34.8	499.8	32.4	478.0	30.9
	67	61	632.7	39.0	598.9	36.7	567.2	34.7	533.5	32.5	499.8	30.4	478.0	29.0
	72	66	632.7	36.4	598.9	34.4	567.2	32.5	533.5	30.5	499.8	28.5	478.0	27.3
	75	69	632.7	35.0	598.9	33.1	567.2	31.3	533.5	29.4	499.8	27.6	478.0	26.3
	80	74	632.7	32.9	598.9	31.2	567.2	29.5	533.5	27.8	499.8	26.1	478.0	24.9

NOTE - Power Input = Compressor + Outdoor Fan Motor.  
MBH = 1000 BTUs per hour.



# HEATING CAPACITY - THREE MODULE | VRB432H4

Combination (%)	Outdoor Temperature (°F)		Indoor Temperature - °F Dry Bulb											
			61		64		67		70		73		75	
	Dry Bulb	Wet Bulb	Total Cap. MBH	Power Input kW	Total Cap. MBH	Power Input kW	Total Cap. MBH	Power Input kW	Total Cap. MBH	Power Input kW	Total Cap. MBH	Power Input kW	Total Cap. MBH	Power Input kW
100%	-13	-14	265.4	31.9	264.7	32.8	264.1	33.6	263.4	34.6	262.7	35.6	262.3	36.3
	-8	-9	275.9	33.2	275.2	34.1	274.5	35.0	273.8	36.0	273.1	37.0	272.6	37.8
	-3	-4	293.5	35.1	292.8	36.0	292.1	37.0	291.3	38.0	290.6	39.1	290.1	39.9
	2	1	316.3	37.3	315.5	38.3	314.8	39.3	314.0	40.4	313.2	41.6	312.6	42.4
	7	6	342.5	39.7	341.6	40.7	340.8	41.7	339.9	42.9	339.0	44.1	338.5	45.0
	12	10	370.4	41.9	369.4	43.0	368.5	44.0	367.6	45.2	366.6	46.5	366.0	47.3
	17	15	398.6	43.8	397.6	44.9	396.6	46.0	395.6	47.2	394.6	48.4	393.9	49.3
	22	20	426.0	45.3	424.9	46.3	423.9	47.4	422.8	48.6	421.7	49.8	418.9	50.5
	27	24	451.6	46.2	450.4	47.3	449.4	48.3	448.2	49.4	447.2	50.2	432.9	50.0
	32	29	474.7	46.6	473.5	47.6	472.3	48.6	468.9	49.5	453.8	48.8	434.5	46.0
	37	34	494.7	46.4	493.5	47.4	492.3	48.3	480.5	47.3	454.3	43.9	434.5	41.4
	42	38	511.4	45.8	510.1	46.7	505.1	45.7	485.0	43.2	454.3	39.8	434.5	37.7
	47	43	524.7	44.3	523.4	43.5	511.6	42.1	485.0	39.4	454.3	36.4	434.5	34.5
	52	47	534.7	41.1	532.4	40.5	515.7	38.9	485.0	36.2	454.3	33.6	434.5	31.9
	57	52	541.7	38.2	537.0	37.6	515.7	35.9	485.0	33.5	454.3	31.1	434.5	29.6
	62	56	546.4	35.6	539.1	35.0	515.7	33.3	485.0	31.1	454.3	29.0	434.5	27.7
	67	61	549.5	33.3	540.4	32.6	515.7	31.1	485.0	29.1	454.3	27.2	434.5	25.9
	72	66	551.9	31.2	541.2	30.6	515.7	29.1	485.0	27.3	454.3	25.6	434.5	24.4
	75	69	553.6	30.1	541.5	29.5	515.7	28.1	485.0	26.4	454.3	24.7	434.5	23.6
	80	74	557.7	28.6	542.1	27.8	515.7	26.5	485.0	24.9	454.3	23.3	434.5	22.3
90%	-13	-14	264.3	31.3	263.6	32.1	263.0	33.0	262.3	33.9	261.7	35.0	261.2	35.7
	-8	-9	274.8	32.5	274.1	33.4	273.4	34.3	272.7	35.3	272.0	36.4	271.5	37.1
	-3	-4	292.4	34.4	291.6	35.3	290.9	36.3	290.2	37.3	289.4	38.4	288.9	39.2
	2	1	315.1	36.6	314.3	37.6	313.5	38.6	312.7	39.7	311.9	40.8	311.4	41.6
	7	6	341.1	38.9	340.3	40.0	339.4	41.0	338.6	42.1	337.7	43.3	337.1	44.1
	12	10	368.9	41.1	368.0	42.2	367.1	43.2	366.1	44.4	365.2	45.6	364.6	46.4
	17	15	397.0	43.0	396.0	44.0	395.0	45.1	394.0	46.3	392.1	47.4	385.7	47.6
	22	20	424.3	44.4	423.2	45.5	422.2	46.5	419.6	47.5	407.1	47.5	389.3	46.3
	27	24	449.8	45.3	448.6	46.4	446.2	47.3	434.1	47.3	406.1	45.4	389.6	44.3
	32	29	472.8	45.7	470.9	46.7	459.9	46.7	431.9	44.9	408.4	43.3	391.1	40.8
	37	34	492.8	45.6	483.8	45.8	457.0	44.2	432.5	42.0	408.9	38.9	391.1	36.7
	42	38	506.1	44.7	479.3	43.2	455.6	40.6	436.5	38.3	408.9	35.3	391.1	33.4
	47	43	497.1	41.3	476.7	39.1	460.4	37.3	436.5	34.9	408.9	32.3	391.1	30.6
	52	47	489.2	37.0	480.5	36.0	464.1	34.5	436.5	32.1	408.9	29.8	391.1	28.3
	57	52	494.0	34.3	483.3	33.3	464.1	31.8	436.5	29.7	408.9	27.6	391.1	26.3
	62	56	497.3	31.9	485.2	31.0	464.1	29.5	436.5	27.6	408.9	25.7	391.1	24.5
	67	61	499.3	29.8	486.4	28.9	464.1	27.5	436.5	25.8	408.9	24.1	391.1	23.0
	72	66	500.5	27.9	487.1	27.1	464.1	25.8	436.5	24.2	408.9	22.7	391.1	21.6
	75	69	501.0	26.9	487.4	26.1	464.1	24.9	436.5	23.4	408.9	21.9	391.1	20.9
	80	74	502.1	25.3	487.9	24.6	464.1	23.5	436.5	22.1	408.9	20.7	391.1	19.8
80%	-13	-14	263.3	30.7	262.6	31.5	261.9	32.4	261.3	33.3	260.6	34.3	260.2	35.0
	-8	-9	273.7	31.9	273.0	32.8	272.3	33.7	271.6	34.6	270.9	35.7	270.5	36.4
	-3	-4	291.2	33.8	290.4	34.7	289.7	35.6	289.0	36.6	288.2	37.7	287.8	38.4
	2	1	313.8	36.0	313.0	36.9	312.3	37.9	311.5	38.9	310.7	40.1	310.1	40.9
	7	6	339.8	38.2	338.9	39.2	338.1	40.2	337.2	41.3	336.3	42.5	334.7	43.2
	12	10	367.4	40.4	366.5	41.4	365.6	42.4	364.7	43.5	358.0	44.1	347.1	43.6
	17	15	395.4	42.2	394.4	43.2	393.4	44.3	384.7	44.6	363.2	43.3	347.6	42.3
	22	20	422.6	43.6	419.6	44.4	410.0	44.6	387.2	43.3	362.9	41.7	347.6	40.7
	27	24	445.2	44.2	433.7	44.2	410.7	42.9	385.8	41.4	360.9	39.8	347.6	39.0
	32	29	457.3	43.6	431.9	42.2	408.0	40.8	382.6	39.2	363.0	37.9	347.6	35.7
	37	34	453.7	41.4	427.8	39.9	403.5	38.5	384.4	36.8	363.5	34.1	347.6	32.2
	42	38	448.1	39.0	421.9	37.5	405.0	35.6	388.0	33.5	363.5	30.9	347.6	29.2
	47	43	440.8	36.1	423.8	34.2	409.3	32.7	388.0	30.6	363.5	28.3	347.6	26.8
	52	47	442.5	33.0	427.1	31.5	412.5	30.2	388.0	28.1	363.5	26.1	347.6	24.8
	57	52	445.0	30.5	429.6	29.2	412.5	27.9	388.0	26.0	363.5	24.2	347.6	23.0
	62	56	446.7	28.3	431.3	27.2	412.5	25.9	388.0	24.2	363.5	22.5	347.6	21.5
	67	61	447.8	26.3	432.3	25.4	412.5	24.1	388.0	22.6	363.5	21.1	347.6	20.1
	72	66	448.4	24.6	433.0	23.8	412.5	22.6	388.0	21.2	363.5	19.9	347.6	19.0
	75	69	448.7	23.7	433.2	22.9	412.5	21.8	388.0	20.5	363.5	19.2	347.6	18.3
	80	74	449.1	22.3	433.7	21.6	412.5	20.5	388.0	19.3	363.5	18.1	347.6	17.3

NOTE - Power Input = Compressor + Outdoor Fan Motor.  
 MBH = 1000 BTUs per hour.



# COOLING CAPACITY - THREE MODULE | VRB456H4

Combination (%)	Outdoor Temperature °F (Dry Bulb)	Indoor Temperature - °F (Dry Bulb / Wet Bulb)											
		67 / 57		71 / 60		75 / 63		80 / 67		85 / 71		90 / 75	
		Total Cap.	Power Input	Total Cap.	Power Input	Total Cap.	Power Input	Total Cap.	Power Input	Total Cap.	Power Input	Total Cap.	Power Input
		MBH	kW	MBH	kW	MBH	kW	MBH	kW	MBH	kW	MBH	kW
130%	-10	349.5	15.0	424.7	18.4	495.5	21.7	592.8	26.5	694.5	31.7	791.9	37.0
	-5	349.5	15.9	424.7	19.5	495.5	23.1	592.8	28.1	694.5	33.7	778.7	38.7
	10	349.5	16.2	424.7	20.0	495.5	23.6	592.8	28.7	694.5	34.4	773.9	39.3
	15	349.5	16.6	424.7	20.4	495.5	24.1	592.8	29.4	694.5	35.2	759.8	39.4
	20	349.5	17.0	424.7	20.8	495.5	24.6	592.8	30.0	694.5	35.9	744.6	39.5
	25	349.5	17.4	424.7	21.3	495.5	25.2	592.8	30.7	694.5	36.8	728.2	39.5
	30	349.5	17.8	424.7	21.8	495.5	25.8	592.8	31.4	688.2	37.3	712.1	39.5
	35	349.5	18.2	424.7	22.4	495.5	26.4	592.8	32.2	683.4	37.9	696.9	39.6
	40	349.5	18.6	424.7	22.9	495.5	27.0	592.8	33.0	680.9	38.7	687.7	40.0
	45	349.5	19.1	424.7	23.5	495.5	27.7	592.8	33.8	680.5	39.6	684.8	40.9
	50	349.5	19.6	424.7	24.1	495.5	28.4	592.8	34.7	674.2	40.3	683.3	41.8
	55	349.5	20.1	424.7	24.7	495.5	29.2	592.8	35.6	673.8	41.3	682.9	42.9
	60	349.5	20.7	424.7	25.4	495.5	30.0	592.8	36.5	676.4	42.6	683.5	44.1
	65	349.5	21.2	424.7	26.1	495.5	30.8	592.8	37.6	671.7	43.5	684.6	45.4
	70	349.5	23.1	424.7	28.4	495.5	33.5	592.8	40.9	672.5	47.4	685.4	49.5
	75	349.5	25.4	424.7	31.2	495.5	36.8	592.8	44.8	672.4	52.0	685.3	54.3
	80	349.5	27.8	424.7	34.2	495.5	40.4	592.8	49.2	670.3	56.9	683.2	59.4
	85	349.5	30.5	424.7	37.5	495.5	44.3	592.8	54.0	665.2	62.0	678.0	64.7
	90	349.5	33.5	424.7	41.1	495.5	48.6	592.8	59.2	655.8	66.9	668.4	69.9
	95	349.5	36.5	424.7	44.9	495.5	53.0	585.2	63.8	606.7	67.6	615.8	70.3
100	349.5	39.7	424.7	48.8	495.5	57.7	575.6	68.2	582.8	70.6	594.0	73.7	
105	349.5	42.9	424.7	52.7	495.5	62.3	536.7	68.7	552.6	72.3	563.2	75.5	
110	349.5	45.9	424.7	56.4	478.1	64.3	497.0	68.1	511.8	71.6	521.6	74.8	
115	349.5	48.6	409.6	57.5	428.6	60.9	445.1	64.5	458.4	67.9	467.2	70.9	
118	343.4	49.1	378.5	54.7	391.6	57.2	406.7	60.6	418.8	63.8	426.8	66.6	
125	263.7	39.3	275.3	41.5	284.9	43.4	295.9	45.9	304.6	48.4	310.5	50.5	
120%	-10	322.6	13.6	392.0	16.7	457.4	19.7	547.2	24.1	641.1	28.8	731.0	33.6
	-5	322.6	14.5	392.0	17.8	457.4	21.0	547.2	25.6	641.1	30.6	731.0	35.8
	10	322.6	14.8	392.0	18.1	457.4	21.4	547.2	26.1	641.1	31.3	730.8	36.5
	15	322.6	15.1	392.0	18.5	457.4	21.9	547.2	26.7	641.1	32.0	725.6	37.1
	20	322.6	15.4	392.0	18.9	457.4	22.4	547.2	27.3	641.1	32.7	720.4	37.6
	25	322.6	15.8	392.0	19.4	457.4	22.9	547.2	27.9	641.1	33.4	715.0	38.2
	30	322.6	16.1	392.0	19.8	457.4	23.4	547.2	28.6	641.1	34.2	699.3	38.2
	35	322.6	16.5	392.0	20.3	457.4	24.0	547.2	29.2	641.1	35.0	684.1	38.3
	40	322.6	16.9	392.0	20.8	457.4	24.6	547.2	30.0	641.1	35.9	674.7	38.7
	45	322.6	17.4	392.0	21.3	457.4	25.2	547.2	30.7	641.1	36.8	671.9	39.5
	50	322.6	17.8	392.0	21.9	457.4	25.8	547.2	31.5	641.1	37.7	670.4	40.4
	55	322.6	18.3	392.0	22.5	457.4	26.5	547.2	32.3	641.1	38.7	670.1	41.4
	60	322.6	18.8	392.0	23.1	457.4	27.2	547.2	33.2	641.1	39.8	670.6	42.6
	65	322.6	19.3	392.0	23.7	457.4	28.0	547.2	34.1	641.1	40.9	671.6	43.9
	70	322.6	21.0	392.0	25.8	457.4	30.5	547.2	37.1	641.1	44.5	672.5	47.8
	75	322.6	23.0	392.0	28.3	457.4	33.4	547.2	40.8	641.1	48.8	672.4	52.4
	80	322.6	25.3	392.0	31.1	457.4	36.7	547.2	44.7	640.3	53.5	670.3	57.4
	85	322.6	27.8	392.0	34.1	457.4	40.3	547.2	49.1	637.7	58.5	665.2	62.5
	90	322.6	30.4	392.0	37.4	457.4	44.1	547.2	53.8	633.4	63.7	655.8	67.5
	95	322.6	33.2	392.0	40.8	457.4	48.2	547.2	58.8	606.7	66.6	615.8	69.2
100	322.6	36.1	392.0	44.4	457.4	52.4	547.2	63.9	582.8	69.5	594.0	72.6	
105	322.6	39.0	392.0	47.9	457.4	56.6	532.5	67.1	552.6	71.2	563.2	74.3	
110	322.6	41.7	392.0	51.3	454.1	60.1	497.0	67.0	511.8	70.5	521.6	73.6	
115	322.6	44.1	389.0	53.8	428.6	60.0	445.1	63.5	458.4	66.8	467.2	69.8	
118	322.6	45.4	375.6	53.4	391.6	56.4	406.7	59.6	418.8	62.8	426.8	65.5	
125	263.7	38.7	275.3	40.8	284.9	42.8	295.9	45.2	304.6	47.6	310.5	49.7	

NOTE - Power Input = Compressor + Outdoor Fan Motor.  
 MBH = 1000 BTUs per hour.

# COOLING CAPACITY - THREE MODULE | VRB456H4

Combination (%)	Outdoor Temperature °F (Dry Bulb)	Indoor Temperature - °F (Dry Bulb / Wet Bulb)											
		67 / 57		71 / 60		75 / 63		80 / 67		85 / 71		90 / 75	
		Total Cap.	Power Input	Total Cap.	Power Input	Total Cap.	Power Input	Total Cap.	Power Input	Total Cap.	Power Input	Total Cap.	Power Input
		MBH	KW	MBH	KW	MBH	KW	MBH	KW	MBH	KW	MBH	KW
110%	-10	295.7	12.3	359.4	15.1	419.2	17.8	501.6	21.7	587.7	26.0	670.0	30.4
	-5	295.7	13.0	359.4	16.0	419.2	18.9	501.6	23.1	587.7	27.6	670.0	32.3
	10	295.7	13.3	359.4	16.4	419.2	19.3	501.6	23.6	587.7	28.2	670.0	33.0
	15	295.7	13.6	359.4	16.7	419.2	19.8	501.6	24.1	587.7	28.9	670.0	33.7
	20	295.7	13.9	359.4	17.1	419.2	20.2	501.6	24.6	587.7	29.5	670.0	34.4
	25	295.7	14.2	359.4	17.5	419.2	20.7	501.6	25.2	587.7	30.2	670.0	35.2
	30	295.7	14.6	359.4	17.9	419.2	21.1	501.6	25.8	587.7	30.9	666.9	35.9
	35	295.7	14.9	359.4	18.3	419.2	21.7	501.6	26.4	587.7	31.6	662.2	36.5
	40	295.7	15.3	359.4	18.8	419.2	22.2	501.6	27.0	587.7	32.4	659.5	37.2
	45	295.7	15.7	359.4	19.3	419.2	22.7	501.6	27.7	587.7	33.2	659.0	38.1
	50	295.7	16.1	359.4	19.8	419.2	23.3	501.6	28.4	587.7	34.1	657.5	39.0
	55	295.7	16.5	359.4	20.3	419.2	23.9	501.6	29.2	587.7	35.0	657.2	40.0
	60	295.7	16.9	359.4	20.8	419.2	24.6	501.6	30.0	587.7	35.9	657.7	41.1
	65	295.7	17.4	359.4	21.4	419.2	25.3	501.6	30.8	587.7	36.9	658.7	42.4
	70	295.7	18.9	359.4	23.3	419.2	27.5	501.6	33.5	587.7	40.1	659.5	46.1
	75	295.7	20.8	359.4	25.6	419.2	30.2	501.6	36.8	587.7	44.1	659.4	50.6
	80	295.7	22.8	359.4	28.1	419.2	33.1	501.6	40.4	587.7	48.4	657.4	55.4
	85	295.7	25.1	359.4	30.8	419.2	36.4	501.6	44.3	587.7	53.1	652.4	60.4
	90	295.7	27.5	359.4	33.7	419.2	39.8	501.6	48.6	587.7	58.2	643.1	65.2
	95	295.7	30.0	359.4	36.9	419.2	43.5	501.6	53.0	587.7	63.5	615.8	68.2
100	295.7	32.6	359.4	40.1	419.2	47.3	501.6	57.7	575.7	67.6	594.0	71.5	
105	295.7	35.2	359.4	43.3	419.2	51.1	501.6	62.3	552.6	70.1	563.2	73.2	
110	295.7	37.7	359.4	46.3	419.2	54.7	488.4	64.8	511.8	69.5	521.6	72.5	
115	295.7	39.8	359.4	49.0	411.1	56.7	445.1	62.5	458.4	65.8	467.2	68.7	
118	295.7	41.0	355.0	49.7	391.6	55.5	406.7	58.7	418.8	61.8	426.8	64.5	
125	263.7	38.1	275.3	40.2	284.9	42.1	295.9	44.5	304.6	46.9	310.5	49.0	
100%	-10	268.8	11.0	326.7	13.5	381.1	16.0	456.0	19.4	534.3	23.3	609.1	27.2
	-5	268.8	11.7	326.7	14.4	381.1	17.0	456.0	20.7	534.3	24.8	609.1	28.9
	10	268.8	11.9	326.7	14.7	381.1	17.3	456.0	21.1	534.3	25.3	609.1	29.5
	15	268.8	12.2	326.7	15.0	381.1	17.7	456.0	21.6	534.3	25.8	609.1	30.2
	20	268.8	12.5	326.7	15.3	381.1	18.1	456.0	22.0	534.3	26.4	609.1	30.8
	25	268.8	12.7	326.7	15.7	381.1	18.5	456.0	22.6	534.3	27.0	609.1	31.5
	30	268.8	13.0	326.7	16.0	381.1	18.9	456.0	23.1	534.3	27.6	609.1	32.3
	35	268.8	13.4	326.7	16.4	381.1	19.4	456.0	23.6	534.3	28.3	609.1	33.1
	40	268.8	13.7	326.7	16.8	381.1	19.9	456.0	24.2	534.3	29.0	609.1	33.9
	45	268.8	14.0	326.7	17.2	381.1	20.4	456.0	24.8	534.3	29.7	609.1	34.7
	50	268.8	14.4	326.7	17.7	381.1	20.9	456.0	25.5	534.3	30.5	609.1	35.6
	55	268.8	14.8	326.7	18.2	381.1	21.4	456.0	26.1	534.3	31.3	609.1	36.6
	60	268.8	15.2	326.7	18.7	381.1	22.0	456.0	26.8	534.3	32.2	609.1	37.5
	65	268.8	15.6	326.7	19.2	381.1	22.6	456.0	27.6	534.3	33.1	609.1	38.6
	70	268.8	17.0	326.7	20.9	381.1	24.6	456.0	30.0	534.3	36.0	609.1	42.0
	75	268.8	18.6	326.7	22.9	381.1	27.0	456.0	32.9	534.3	39.5	609.1	46.1
	80	268.8	20.4	326.7	25.1	381.1	29.7	456.0	36.2	534.3	43.3	609.1	50.6
	85	268.8	22.4	326.7	27.6	381.1	32.6	456.0	39.7	534.3	47.5	609.1	55.5
	90	268.8	24.6	326.7	30.2	381.1	35.7	456.0	43.5	534.3	52.1	608.6	60.8
	95	268.8	26.8	326.7	33.0	381.1	39.0	<b>456.0</b>	<b>47.5</b>	534.3	56.9	602.2	65.7
100	268.8	29.2	326.7	35.9	381.1	42.4	456.0	51.6	534.3	61.8	593.2	70.3	
105	268.8	31.5	326.7	38.7	381.1	45.7	456.0	55.7	529.9	66.2	563.2	72.1	
110	268.8	33.7	326.7	41.4	381.1	48.9	456.0	59.7	511.8	68.4	521.6	71.4	
115	268.8	35.7	326.7	43.9	381.1	51.8	439.9	60.9	458.4	64.8	467.2	67.7	
118	268.8	36.7	326.7	45.1	373.2	52.1	406.7	57.8	418.8	60.9	426.8	63.6	
125	256.2	36.4	275.3	39.6	284.9	41.5	295.9	43.9	304.6	46.2	310.5	48.2	

NOTE - Power Input = Compressor + Outdoor Fan Motor.  
 MBH = 1000 BTUs per hour.

# COOLING CAPACITY - THREE MODULE | VRB456H4

Combination (%)	Outdoor Temperature °F (Dry Bulb)	Indoor Temperature - °F (Dry Bulb / Wet Bulb)											
		67 / 57		71 / 60		75 / 63		80 / 67		85 / 71		90 / 75	
		Total Cap.	Power Input	Total Cap.	Power Input	Total Cap.	Power Input	Total Cap.	Power Input	Total Cap.	Power Input	Total Cap.	Power Input
		MBH	kW	MBH	kW	MBH	kW	MBH	kW	MBH	kW	MBH	kW
90%	-10	242.0	9.7	294.0	12.0	343.0	14.1	410.4	17.2	480.8	20.7	548.2	24.1
	-5	242.0	10.4	294.0	12.7	343.0	15.0	410.4	18.3	480.8	21.9	548.2	25.6
	10	242.0	10.6	294.0	13.0	343.0	15.4	410.4	18.7	480.8	22.4	548.2	26.2
	15	242.0	10.8	294.0	13.3	343.0	15.7	410.4	19.1	480.8	22.9	548.2	26.8
	20	242.0	11.0	294.0	13.6	343.0	16.0	410.4	19.5	480.8	23.4	548.2	27.3
	25	242.0	11.3	294.0	13.9	343.0	16.4	410.4	20.0	480.8	24.0	548.2	28.0
	30	242.0	11.6	294.0	14.2	343.0	16.8	410.4	20.5	480.8	24.5	548.2	28.6
	35	242.0	11.8	294.0	14.6	343.0	17.2	410.4	21.0	480.8	25.1	548.2	29.3
	40	242.0	12.1	294.0	14.9	343.0	17.6	410.4	21.5	480.8	25.7	548.2	30.0
	45	242.0	12.4	294.0	15.3	343.0	18.1	410.4	22.0	480.8	26.4	548.2	30.8
	50	242.0	12.8	294.0	15.7	343.0	18.5	410.4	22.6	480.8	27.0	548.2	31.6
	55	242.0	13.1	294.0	16.1	343.0	19.0	410.4	23.2	480.8	27.8	548.2	32.4
	60	242.0	13.5	294.0	16.5	343.0	19.5	410.4	23.8	480.8	28.5	548.2	33.3
	65	242.0	13.8	294.0	17.0	343.0	20.1	410.4	24.5	480.8	29.3	548.2	34.2
	70	242.0	15.0	294.0	18.5	343.0	21.8	410.4	26.6	480.8	31.9	548.2	37.2
	75	242.0	16.5	294.0	20.3	343.0	24.0	410.4	29.2	480.8	35.0	548.2	40.9
	80	242.0	18.1	294.0	22.3	343.0	26.3	410.4	32.1	480.8	38.4	548.2	44.9
	85	242.0	19.9	294.0	24.5	343.0	28.9	410.4	35.2	480.8	42.2	548.2	49.2
	90	242.0	21.8	294.0	26.8	343.0	31.6	410.4	38.6	480.8	46.2	548.2	53.9
	95	242.0	23.8	294.0	29.3	343.0	34.6	410.4	42.1	480.8	50.4	548.2	58.9
100	242.0	25.9	294.0	31.8	343.0	37.6	410.4	45.8	480.8	54.8	548.2	64.0	
105	242.0	27.9	294.0	34.3	343.0	40.6	410.4	49.4	480.8	59.2	542.4	68.4	
110	242.0	29.9	294.0	36.8	343.0	43.4	410.4	52.9	480.4	63.3	521.6	70.4	
115	242.0	31.6	294.0	38.9	343.0	45.9	410.4	56.0	458.4	63.9	467.2	66.7	
118	242.0	32.5	294.0	40.0	343.0	47.2	396.8	55.6	418.8	60.0	426.8	62.6	
125	239.2	33.5	275.3	39.0	284.9	40.9	295.9	43.2	304.6	45.5	310.5	47.5	
80%	-10	215.1	8.5	261.3	10.5	304.9	12.4	364.8	15.1	427.4	18.1	487.3	21.1
	-5	215.1	9.1	261.3	11.2	304.9	13.2	364.8	16.1	427.4	19.2	487.3	22.5
	10	215.1	9.3	261.3	11.4	304.9	13.5	364.8	16.4	427.4	19.6	487.3	22.9
	15	215.1	9.5	261.3	11.6	304.9	13.7	364.8	16.8	427.4	20.1	487.3	23.4
	20	215.1	9.7	261.3	11.9	304.9	14.0	364.8	17.1	427.4	20.5	487.3	23.9
	25	215.1	9.9	261.3	12.2	304.9	14.4	364.8	17.5	427.4	21.0	487.3	24.5
	30	215.1	10.1	261.3	12.5	304.9	14.7	364.8	17.9	427.4	21.5	487.3	25.1
	35	215.1	10.4	261.3	12.8	304.9	15.1	364.8	18.4	427.4	22.0	487.3	25.7
	40	215.1	10.6	261.3	13.1	304.9	15.4	364.8	18.8	427.4	22.5	487.3	26.3
	45	215.1	10.9	261.3	13.4	304.9	15.8	364.8	19.3	427.4	23.1	487.3	27.0
	50	215.1	11.2	261.3	13.7	304.9	16.2	364.8	19.8	427.4	23.7	487.3	27.7
	55	215.1	11.5	261.3	14.1	304.9	16.7	364.8	20.3	427.4	24.3	487.3	28.4
	60	215.1	11.8	261.3	14.5	304.9	17.1	364.8	20.8	427.4	25.0	487.3	29.2
	65	215.1	12.1	261.3	14.9	304.9	17.6	364.8	21.4	427.4	25.7	487.3	30.0
	70	215.1	13.2	261.3	16.2	304.9	19.1	364.8	23.3	427.4	27.9	487.3	32.6
	75	215.1	14.5	261.3	17.8	304.9	21.0	364.8	25.6	427.4	30.7	487.3	35.8
	80	215.1	15.9	261.3	19.5	304.9	23.0	364.8	28.1	427.4	33.7	487.3	39.3
	85	215.1	17.4	261.3	21.4	304.9	25.3	364.8	30.8	427.4	36.9	487.3	43.1
	90	215.1	19.1	261.3	23.5	304.9	27.7	364.8	33.8	427.4	40.5	487.3	47.2
	95	215.1	20.9	261.3	25.6	304.9	30.3	364.8	36.9	427.4	44.2	487.3	51.6
100	215.1	22.7	261.3	27.9	304.9	32.9	364.8	40.1	427.4	48.0	487.3	56.1	
105	215.1	24.5	261.3	30.1	304.9	35.5	364.8	43.3	427.4	51.9	487.3	60.6	
110	215.1	26.2	261.3	32.2	304.9	38.0	364.8	46.3	427.4	55.5	487.3	64.8	
115	215.1	27.7	261.3	34.1	304.9	40.2	364.8	49.0	426.4	58.6	467.2	65.7	
118	215.1	28.5	261.3	35.0	304.9	41.4	364.8	50.4	411.6	58.1	426.8	61.7	
125	215.1	29.7	255.3	35.7	284.9	40.3	295.9	42.6	304.6	44.9	310.5	46.8	

NOTE - Power Input = Compressor + Outdoor Fan Motor.  
 MBH = 1000 BTUs per hour.



# COOLING CAPACITY - THREE MODULE | VRB456H4

Combination (%)	Outdoor Temperature °F (Dry Bulb)	Indoor Temperature - °F (Dry Bulb / Wet Bulb)											
		67 / 57		71 / 60		75 / 63		80 / 67		85 / 71		90 / 75	
		Total Cap.	Power Input	Total Cap.	Power Input	Total Cap.	Power Input	Total Cap.	Power Input	Total Cap.	Power Input	Total Cap.	Power Input
		MBH	KW	MBH	KW	MBH	KW	MBH	KW	MBH	KW	MBH	KW
70%	-10	188.2	7.4	228.7	9.1	266.8	10.7	319.2	13.0	374.0	15.6	426.4	18.2
	-5	188.2	7.8	228.7	9.6	266.8	11.4	319.2	13.8	374.0	16.6	426.4	19.4
	10	188.2	8.0	228.7	9.8	266.8	11.6	319.2	14.1	374.0	16.9	426.4	19.8
	15	188.2	8.2	228.7	10.0	266.8	11.9	319.2	14.5	374.0	17.3	426.4	20.2
	20	188.2	8.3	228.7	10.3	266.8	12.1	319.2	14.8	374.0	17.7	426.4	20.7
	25	188.2	8.5	228.7	10.5	266.8	12.4	319.2	15.1	374.0	18.1	426.4	21.1
	30	188.2	8.7	228.7	10.7	266.8	12.7	319.2	15.5	374.0	18.5	426.4	21.6
	35	188.2	8.9	228.7	11.0	266.8	13.0	319.2	15.8	374.0	19.0	426.4	22.1
	40	188.2	9.2	228.7	11.3	266.8	13.3	319.2	16.2	374.0	19.4	426.4	22.7
	45	188.2	9.4	228.7	11.6	266.8	13.6	319.2	16.6	374.0	19.9	426.4	23.3
	50	188.2	9.6	228.7	11.8	266.8	14.0	319.2	17.1	374.0	20.4	426.4	23.9
	55	188.2	9.9	228.7	12.2	266.8	14.4	319.2	17.5	374.0	21.0	426.4	24.5
	60	188.2	10.2	228.7	12.5	266.8	14.8	319.2	18.0	374.0	21.5	426.4	25.1
	65	188.2	10.4	228.7	12.8	266.8	15.2	319.2	18.5	374.0	22.1	426.4	25.9
	70	188.2	11.4	228.7	14.0	266.8	16.5	319.2	20.1	374.0	24.1	426.4	28.1
	75	188.2	12.5	228.7	15.3	266.8	18.1	319.2	22.1	374.0	26.4	426.4	30.9
	80	188.2	13.7	228.7	16.8	266.8	19.9	319.2	24.2	374.0	29.0	426.4	33.9
	85	188.2	15.0	228.7	18.5	266.8	21.8	319.2	26.6	374.0	31.8	426.4	37.2
	90	188.2	16.5	228.7	20.2	266.8	23.9	319.2	29.1	374.0	34.9	426.4	40.7
	95	188.2	18.0	228.7	22.1	266.8	26.1	319.2	31.8	374.0	38.1	426.4	44.5
100	188.2	19.6	228.7	24.0	266.8	28.4	319.2	34.6	374.0	41.4	426.4	48.4	
105	188.2	21.1	228.7	25.9	266.8	30.6	319.2	37.3	374.0	44.7	426.4	52.2	
110	188.2	22.6	228.7	27.8	266.8	32.8	319.2	40.0	374.0	47.9	426.4	55.9	
115	188.2	23.9	228.7	29.4	266.8	34.7	319.2	42.3	374.0	50.6	426.4	59.1	
118	188.2	24.6	228.7	30.2	266.8	35.7	319.2	43.5	374.0	52.1	413.7	59.0	
125	188.2	25.6	228.7	31.5	261.8	36.5	295.9	42.0	304.6	44.2	310.5	46.1	
60%	-10	161.3	6.2	196.0	7.6	228.7	9.0	273.6	11.0	320.6	13.2	365.5	15.4
	-5	161.3	6.6	196.0	8.1	228.7	9.6	273.6	11.7	320.6	14.0	365.5	16.4
	10	161.3	6.8	196.0	8.3	228.7	9.8	273.6	11.9	320.6	14.3	365.5	16.7
	15	161.3	6.9	196.0	8.5	228.7	10.0	273.6	12.2	320.6	14.6	365.5	17.1
	20	161.3	7.1	196.0	8.7	228.7	10.2	273.6	12.5	320.6	14.9	365.5	17.5
	25	161.3	7.2	196.0	8.9	228.7	10.5	273.6	12.8	320.6	15.3	365.5	17.9
	30	161.3	7.4	196.0	9.1	228.7	10.7	273.6	13.1	320.6	15.6	365.5	18.3
	35	161.3	7.6	196.0	9.3	228.7	11.0	273.6	13.4	320.6	16.0	365.5	18.7
	40	161.3	7.7	196.0	9.5	228.7	11.2	273.6	13.7	320.6	16.4	365.5	19.2
	45	161.3	7.9	196.0	9.8	228.7	11.5	273.6	14.0	320.6	16.8	365.5	19.7
	50	161.3	8.1	196.0	10.0	228.7	11.8	273.6	14.4	320.6	17.3	365.5	20.2
	55	161.3	8.4	196.0	10.3	228.7	12.1	273.6	14.8	320.6	17.7	365.5	20.7
	60	161.3	8.6	196.0	10.6	228.7	12.5	273.6	15.2	320.6	18.2	365.5	21.3
	65	161.3	8.8	196.0	10.9	228.7	12.8	273.6	15.6	320.6	18.7	365.5	21.8
	70	161.3	9.6	196.0	11.8	228.7	13.9	273.6	17.0	320.6	20.4	365.5	23.8
	75	161.3	10.5	196.0	13.0	228.7	15.3	273.6	18.6	320.6	22.3	365.5	26.1
	80	161.3	11.6	196.0	14.2	228.7	16.8	273.6	20.5	320.6	24.5	365.5	28.6
	85	161.3	12.7	196.0	15.6	228.7	18.4	273.6	22.5	320.6	26.9	365.5	31.4
	90	161.3	13.9	196.0	17.1	228.7	20.2	273.6	24.6	320.6	29.5	365.5	34.4
	95	161.3	15.2	196.0	18.7	228.7	22.1	273.6	26.9	320.6	32.2	365.5	37.6
100	161.3	16.5	196.0	20.3	228.7	24.0	273.6	29.2	320.6	35.0	365.5	40.9	
105	161.3	17.8	196.0	21.9	228.7	25.9	273.6	31.6	320.6	37.8	365.5	44.1	
110	161.3	19.1	196.0	23.5	228.7	27.7	273.6	33.8	320.6	40.4	365.5	47.2	
115	161.3	20.2	196.0	24.8	228.7	29.3	273.6	35.7	320.6	42.8	365.5	50.0	
118	161.3	20.8	196.0	25.5	228.7	30.1	273.6	36.7	320.6	44.0	365.5	51.4	
125	161.3	21.7	196.0	26.6	228.7	31.4	269.7	37.8	302.3	43.2	310.5	45.5	

NOTE - Power Input = Compressor + Outdoor Fan Motor.  
 MBH = 1000 BTUs per hour.



## COOLING CAPACITY - THREE MODULE | VRB456H4

Combination (%)	Outdoor Temperature °F (Dry Bulb)	Indoor Temperature - °F (Dry Bulb / Wet Bulb)											
		67 / 57		71 / 60		75 / 63		80 / 67		85 / 71		90 / 75	
		Total Cap.	Power Input	Total Cap.	Power Input	Total Cap.	Power Input	Total Cap.	Power Input	Total Cap.	Power Input	Total Cap.	Power Input
		MBH	kW	MBH	kW	MBH	kW	MBH	kW	MBH	kW	MBH	kW
50%	-10	132.6	5.0	163.3	6.3	190.6	7.4	228.0	9.0	267.1	10.8	304.6	12.7
	-5	134.4	5.4	163.3	6.7	190.6	7.9	228.0	9.6	267.1	11.5	304.6	13.4
	10	134.4	5.6	163.3	6.8	190.6	8.1	228.0	9.8	267.1	11.8	304.6	13.7
	15	134.4	5.7	163.3	7.0	190.6	8.2	228.0	10.0	267.1	12.0	304.6	14.0
	20	134.4	5.8	163.3	7.1	190.6	8.4	228.0	10.3	267.1	12.3	304.6	14.3
	25	134.4	5.9	163.3	7.3	190.6	8.6	228.0	10.5	267.1	12.6	304.6	14.7
	30	134.4	6.1	163.3	7.5	190.6	8.8	228.0	10.7	267.1	12.9	304.6	15.0
	35	134.4	6.2	163.3	7.6	190.6	9.0	228.0	11.0	267.1	13.2	304.6	15.4
	40	134.4	6.4	163.3	7.8	190.6	9.2	228.0	11.3	267.1	13.5	304.6	15.8
	45	134.4	6.5	163.3	8.0	190.6	9.5	228.0	11.5	267.1	13.8	304.6	16.1
	50	134.4	6.7	163.3	8.2	190.6	9.7	228.0	11.8	267.1	14.2	304.6	16.6
	55	134.4	6.9	163.3	8.4	190.6	10.0	228.0	12.2	267.1	14.6	304.6	17.0
	60	134.4	7.1	163.3	8.7	190.6	10.2	228.0	12.5	267.1	15.0	304.6	17.5
	65	134.4	7.3	163.3	8.9	190.6	10.5	228.0	12.8	267.1	15.4	304.6	18.0
	70	134.4	7.9	163.3	9.7	190.6	11.5	228.0	14.0	267.1	16.7	304.6	19.5
	75	134.4	8.7	163.3	10.6	190.6	12.6	228.0	15.3	267.1	18.4	304.6	21.4
	80	134.4	9.5	163.3	11.7	190.6	13.8	228.0	16.8	267.1	20.2	304.6	23.5
	85	134.4	10.4	163.3	12.8	190.6	15.1	228.0	18.5	267.1	22.1	304.6	25.8
90	134.4	11.4	163.3	14.1	190.6	16.6	228.0	20.2	267.1	24.2	304.6	28.3	
95	134.4	12.5	163.3	15.3	190.6	18.1	228.0	22.1	267.1	26.5	304.6	30.9	
100	134.4	13.6	163.3	16.7	190.6	19.7	228.0	24.0	267.1	28.8	304.6	33.6	
105	134.4	14.7	163.3	18.0	190.6	21.3	228.0	25.9	267.1	31.1	304.6	36.3	
110	134.4	15.7	163.3	19.3	190.6	22.8	228.0	27.7	267.1	33.2	304.6	38.8	
115	134.4	16.6	163.3	20.4	190.6	24.1	228.0	29.4	267.1	35.2	304.6	41.1	
118	134.4	17.1	163.3	21.0	190.6	24.8	228.0	30.2	267.1	36.2	304.6	42.2	
125	134.4	17.8	163.3	21.9	190.6	25.8	228.0	31.5	267.1	37.7	294.1	42.5	

NOTE - Power Input = Compressor + Outdoor Fan Motor.  
 MBH = 1000 BTUs per hour.

# HEATING CAPACITY - THREE MODULE | VRB456H4

Combination (%)	Outdoor Temperature (°F)		Indoor Temperature - °F Dry Bulb																					
			61		64		67		70		73		75											
			Total Cap.	Power Input	Total Cap.	Power Input	Total Cap.	Power Input	Total Cap.	Power Input	Total Cap.	Power Input	Total Cap.	Power Input										
	MBH	kW	MBH	kW	MBH	kW	MBH	kW	MBH	kW	MBH	kW												
130%	Dry Bulb	Wet Bulb																						
	120%																							
110%																								

NOTE - Power Input = Compressor + Outdoor Fan Motor.  
 MBH = 1000 BTUs per hour.

# HEATING CAPACITY - THREE MODULE | VRB456H4

Combination (%)	Outdoor Temperature (°F)		Indoor Temperature - °F Dry Bulb											
			61		64		67		70		73		75	
	Dry Bulb	Wet Bulb	Total Cap. MBH	Power Input kW	Total Cap. MBH	Power Input kW	Total Cap. MBH	Power Input kW	Total Cap. MBH	Power Input kW	Total Cap. MBH	Power Input kW	Total Cap. MBH	Power Input kW
100%	-13	-14	288.6	35.2	287.8	36.1	287.2	37.1	286.4	38.1	285.7	39.3	285.2	40.1
	-8	-9	298.6	36.4	297.9	37.4	297.1	38.4	296.4	39.5	295.6	40.7	295.1	41.5
	-3	-4	316.9	38.4	316.0	39.4	315.3	40.5	314.5	41.6	313.7	42.9	313.1	43.7
	2	1	341.0	40.8	340.1	41.9	339.3	43.0	338.4	44.2	337.5	45.5	337.0	46.4
	7	6	368.8	43.3	367.9	44.5	367.0	45.6	366.0	46.8	365.1	48.2	364.5	49.1
	12	10	398.5	45.7	397.5	46.9	396.5	48.0	395.5	49.3	394.5	50.7	393.8	51.6
	17	15	428.5	47.7	427.4	48.9	426.4	50.1	425.3	51.4	424.2	52.8	423.5	53.7
	22	20	457.4	49.3	456.3	50.4	455.2	51.6	454.0	52.9	452.8	54.3	447.8	54.7
	27	24	484.2	50.2	483.0	51.4	481.8	52.5	480.6	53.8	470.6	54.1	457.1	53.6
	32	29	508.1	50.6	506.8	51.7	505.6	52.7	500.0	53.5	479.1	52.2	458.7	49.2
	37	34	528.6	50.3	527.2	51.3	525.9	52.3	507.5	50.7	479.6	47.0	458.7	44.3
	42	38	545.2	49.5	543.8	50.4	534.9	49.1	512.0	46.2	479.6	42.6	458.7	40.3
	47	43	558.2	47.7	556.7	47.0	540.3	45.0	512.0	42.2	479.6	39.0	458.7	37.0
	52	47	567.6	44.2	564.2	43.5	544.4	41.6	512.0	38.7	479.6	35.9	458.7	34.1
	57	52	574.0	41.0	567.3	40.3	544.4	38.4	512.0	35.8	479.6	33.3	458.7	31.7
	62	56	578.1	38.2	569.4	37.4	544.4	35.6	512.0	33.3	479.6	31.1	458.7	29.6
	67	61	581.1	35.7	570.7	35.0	544.4	33.3	512.0	31.2	479.6	29.1	458.7	27.8
	72	66	584.1	33.5	571.5	32.8	544.4	31.2	512.0	29.3	479.6	27.4	458.7	26.1
75	69	586.6	32.4	571.8	31.6	544.4	30.0	512.0	28.2	479.6	26.4	458.7	25.2	
80	74	593.2	30.8	572.4	29.8	544.4	28.3	512.0	26.7	479.6	25.0	458.7	23.9	
90%	-13	-14	287.4	34.5	286.7	35.4	286.0	36.4	285.3	37.4	284.5	38.6	284.1	39.3
	-8	-9	297.4	35.7	296.7	36.7	295.9	37.7	295.2	38.7	294.4	39.9	293.9	40.7
	-3	-4	315.6	37.7	314.8	38.7	314.0	39.7	313.2	40.8	312.4	42.1	311.9	42.9
	2	1	339.6	40.0	338.7	41.1	337.9	42.2	337.0	43.4	336.2	44.6	335.6	45.5
	7	6	367.3	42.5	366.4	43.6	365.5	44.7	364.6	46.0	363.6	47.3	363.0	48.2
	12	10	396.9	44.9	395.9	46.0	394.9	47.1	393.9	48.4	392.9	49.7	392.3	50.7
	17	15	426.8	46.9	425.7	48.0	424.7	49.1	423.6	50.4	420.7	51.6	408.5	51.1
	22	20	455.6	48.4	454.4	49.5	453.3	50.6	449.2	51.6	429.8	50.8	411.1	49.5
	27	24	482.3	49.3	481.1	50.4	477.3	51.2	458.4	50.6	428.9	48.6	411.3	47.5
	32	29	506.1	49.6	503.5	50.6	485.8	50.0	456.2	48.1	431.1	46.3	412.8	43.6
	37	34	526.4	49.4	511.1	49.1	482.8	47.4	456.8	45.0	431.7	41.6	412.8	39.3
	42	38	536.5	48.0	506.6	46.3	481.4	43.5	460.8	41.0	431.7	37.8	412.8	35.7
	47	43	531.2	44.7	504.0	41.9	486.2	39.9	460.8	37.4	431.7	34.6	412.8	32.8
	52	47	526.7	40.4	507.8	38.6	489.9	36.9	460.8	34.4	431.7	31.9	412.8	30.3
	57	52	529.5	37.3	510.6	35.7	489.9	34.0	460.8	31.8	431.7	29.5	412.8	28.1
	62	56	531.4	34.6	512.5	33.2	489.9	31.6	460.8	29.6	431.7	27.5	412.8	26.3
	67	61	532.6	32.2	513.7	31.0	489.9	29.5	460.8	27.6	431.7	25.8	412.8	24.6
	72	66	533.3	30.1	514.4	29.1	489.9	27.6	460.8	25.9	431.7	24.3	412.8	23.2
75	69	533.6	29.0	514.6	28.0	489.9	26.6	460.8	25.0	431.7	23.4	412.8	22.4	
80	74	534.1	27.3	515.2	26.4	489.9	25.1	460.8	23.6	431.7	22.1	412.8	21.2	
80%	-13	-14	286.3	33.9	285.5	34.8	284.9	35.7	284.1	36.7	283.4	37.8	282.9	38.6
	-8	-9	296.2	35.1	295.5	36.0	294.8	37.0	294.0	38.0	293.2	39.2	292.8	40.0
	-3	-4	314.3	37.0	313.5	38.0	312.8	39.0	312.0	40.1	311.2	41.3	310.6	42.1
	2	1	338.2	39.3	337.4	40.3	336.6	41.4	335.7	42.6	334.8	43.8	334.3	44.7
	7	6	365.8	41.7	364.9	42.8	364.0	43.9	363.1	45.1	362.2	46.4	359.3	47.0
	12	10	395.3	44.0	394.3	45.1	393.4	46.3	392.3	47.5	379.8	47.4	366.4	46.7
	17	15	425.1	46.0	424.0	47.1	423.0	48.2	406.5	47.8	383.4	46.4	367.0	45.3
	22	20	453.8	47.5	448.7	48.2	432.9	47.7	408.8	46.3	383.1	44.7	367.0	43.6
	27	24	474.8	47.8	458.0	47.4	433.6	45.9	407.4	44.3	381.2	42.6	367.0	41.8
	32	29	483.0	46.7	456.1	45.2	430.9	43.7	404.2	42.0	383.2	40.6	367.0	38.2
	37	34	479.3	44.3	452.0	42.8	426.4	41.2	406.0	39.4	383.7	36.5	367.0	34.4
	42	38	473.7	41.7	446.1	40.2	428.0	38.1	409.6	35.9	383.7	33.1	367.0	31.3
	47	43	466.4	38.7	448.0	36.7	432.2	35.0	409.6	32.7	383.7	30.3	367.0	28.7
	52	47	468.2	35.3	451.4	33.8	435.5	32.3	409.6	30.1	383.7	27.9	367.0	26.5
	57	52	470.6	32.6	453.8	31.3	435.5	29.8	409.6	27.8	383.7	25.9	367.0	24.6
	62	56	472.3	30.3	455.5	29.1	435.5	27.7	409.6	25.9	383.7	24.1	367.0	23.0
	67	61	473.4	28.2	456.6	27.2	435.5	25.8	409.6	24.2	383.7	22.6	367.0	21.6
	72	66	474.0	26.4	457.2	25.4	435.5	24.2	409.6	22.7	383.7	21.3	367.0	20.3
75	69	474.3	25.4	457.5	24.5	435.5	23.3	409.6	21.9	383.7	20.5	367.0	19.6	
80	74	474.7	23.9	457.9	23.1	435.5	22.0	409.6	20.7	383.7	19.4	367.0	18.6	

NOTE - Power Input = Compressor + Outdoor Fan Motor.  
 MBH = 1000 BTUs per hour.

# HEATING CAPACITY - THREE MODULE | VRB456H4

Combination (%)	Outdoor Temperature (°F)		Indoor Temperature - °F Dry Bulb											
			61		64		67		70		73		75	
	Dry Bulb	Wet Bulb	Total Cap.	Power Input	Total Cap.	Power Input	Total Cap.	Power Input	Total Cap.	Power Input	Total Cap.	Power Input	Total Cap.	Power Input
			MBH	kW	MBH	kW	MBH	kW	MBH	kW	MBH	kW	MBH	kW
70%	-13	-14	285.1	33.2	284.4	34.2	283.7	35.1	283.0	36.1	282.2	37.2	281.8	37.9
	-8	-9	295.0	34.4	294.3	35.3	293.6	36.3	292.8	37.3	292.1	38.5	291.6	39.2
	-3	-4	313.1	36.3	312.3	37.3	311.5	38.2	310.7	39.3	309.9	40.5	309.4	41.3
	2	1	336.9	38.6	336.0	39.6	335.2	40.6	334.3	41.8	330.2	42.6	320.7	42.3
	7	6	364.4	41.0	363.4	42.0	362.6	43.1	353.9	43.4	335.8	42.5	321.1	41.5
	12	10	393.7	43.2	392.1	44.3	378.3	43.9	358.4	42.9	335.8	41.4	321.1	40.4
	17	15	416.7	44.5	402.0	44.1	381.0	42.9	358.4	41.5	335.8	40.1	321.1	39.1
	22	20	424.8	43.9	402.3	42.7	381.0	41.4	358.4	40.0	335.8	38.6	321.1	37.6
	27	24	423.7	42.1	400.7	40.9	381.0	39.8	358.4	38.4	335.8	37.0	321.1	36.0
	32	29	420.8	40.1	397.4	38.8	381.0	38.1	358.4	36.8	335.8	35.0	321.1	33.0
	37	34	416.1	37.9	392.4	36.6	381.0	36.4	358.4	34.3	335.8	31.5	321.1	29.7
	42	38	409.7	35.5	388.3	34.4	381.0	33.5	358.4	31.0	335.8	28.5	321.1	27.0
	47	43	406.7	33.2	392.0	31.6	381.0	30.4	358.4	28.2	335.8	26.1	321.1	24.8
	52	47	409.6	30.5	394.9	29.1	381.0	27.9	358.4	26.0	335.8	24.1	321.1	22.9
	57	52	411.8	28.1	397.1	27.0	381.0	25.7	358.4	24.0	335.8	22.3	321.1	21.2
	62	56	413.3	26.1	398.6	25.1	381.0	23.9	358.4	22.3	335.8	20.8	321.1	19.8
	67	61	414.2	24.3	399.5	23.4	381.0	22.3	358.4	20.9	335.8	19.5	321.1	18.6
	72	66	414.8	22.8	400.1	21.9	381.0	20.9	358.4	19.6	335.8	18.3	321.1	17.5
	75	69	415.0	21.9	400.3	21.1	381.0	20.1	358.4	18.9	335.8	17.7	321.1	16.9
	80	74	415.4	20.6	400.7	19.9	381.0	19.0	358.4	17.9	335.8	16.7	321.1	16.0
60%	-13	-14	284.0	32.6	283.2	33.5	282.6	34.4	281.8	35.4	281.0	36.5	272.9	36.2
	-8	-9	293.8	33.8	293.1	34.7	292.4	35.6	291.6	36.7	285.1	37.0	275.2	36.5
	-3	-4	311.8	35.6	311.0	36.6	310.2	37.6	304.0	38.0	287.8	37.2	275.2	36.3
	2	1	335.5	37.9	334.6	38.9	324.5	38.8	307.2	37.9	287.8	36.6	275.2	35.8
	7	6	358.1	39.7	344.9	39.4	326.6	38.3	307.2	37.2	287.8	35.9	275.2	35.0
	12	10	364.3	39.5	344.9	38.4	326.6	37.4	307.2	36.2	287.8	35.0	275.2	34.1
	17	15	364.3	38.4	344.9	37.3	326.6	36.3	307.2	35.1	287.8	33.8	275.2	33.0
	22	20	364.3	37.1	344.9	36.0	326.6	35.0	307.2	33.8	287.8	32.6	275.2	31.8
	27	24	364.3	35.7	344.9	34.7	326.6	33.6	307.2	32.5	287.8	31.3	275.2	30.4
	32	29	364.3	34.3	344.9	33.2	326.6	32.2	307.2	31.1	287.8	29.6	275.2	27.9
	37	34	364.3	32.8	344.9	31.7	326.6	30.7	307.2	29.0	287.8	26.6	275.2	25.1
	42	38	364.3	31.2	344.9	30.2	326.6	28.3	307.2	26.2	287.8	24.1	275.2	22.8
	47	43	364.3	29.4	344.9	27.5	326.6	25.7	307.2	23.9	287.8	22.1	275.2	20.9
	52	47	364.3	26.8	344.9	25.1	326.6	23.6	307.2	21.9	287.8	20.3	275.2	19.3
	57	52	364.3	24.6	344.9	23.1	326.6	21.7	307.2	20.3	287.8	18.9	275.2	18.0
	62	56	364.3	22.7	344.9	21.4	326.6	20.2	307.2	18.9	287.8	17.6	275.2	16.8
	67	61	364.3	21.1	344.9	19.9	326.6	18.8	307.2	17.6	287.8	16.5	275.2	15.7
	72	66	364.3	19.7	344.9	18.7	326.6	17.6	307.2	16.6	287.8	15.5	275.2	14.8
	75	69	364.3	19.0	344.9	18.0	326.6	17.0	307.2	16.0	287.8	15.0	275.2	14.3
	80	74	364.3	17.9	344.9	16.9	326.6	16.0	307.2	15.1	287.8	14.1	275.2	13.5
50%	-13	-14	282.8	32.1	281.1	32.8	271.3	32.6	256.0	31.8	239.8	30.7	229.4	30.0
	-8	-9	292.6	33.2	285.2	33.3	272.2	32.7	256.0	31.8	239.8	30.7	229.4	30.0
	-3	-4	302.1	34.1	287.4	33.4	272.2	32.5	256.0	31.6	239.8	30.5	229.4	29.8
	2	1	303.6	33.8	287.4	33.0	272.2	32.1	256.0	31.1	239.8	30.1	229.4	29.4
	7	6	303.6	33.2	287.4	32.4	272.2	31.5	256.0	30.5	239.8	29.5	229.4	28.8
	12	10	303.6	32.5	287.4	31.6	272.2	30.7	256.0	29.8	239.8	28.7	229.4	28.0
	17	15	303.6	31.5	287.4	30.7	272.2	29.8	256.0	28.8	239.8	27.8	229.4	27.1
	22	20	303.6	30.5	287.4	29.6	272.2	28.8	256.0	27.8	239.8	26.8	229.4	26.1
	27	24	303.6	29.4	287.4	28.5	272.2	27.6	256.0	26.7	239.8	25.7	229.4	25.0
	32	29	303.6	28.2	287.4	27.3	272.2	26.5	256.0	25.5	239.8	24.3	229.4	22.9
	37	34	303.6	26.9	287.4	26.1	272.2	25.2	256.0	23.8	239.8	21.8	229.4	20.6
	42	38	303.6	25.7	287.4	24.8	272.2	23.2	256.0	21.5	239.8	19.8	229.4	18.8
	47	43	303.6	24.2	287.4	22.6	272.2	21.1	256.0	19.6	239.8	18.1	229.4	17.2
	52	47	303.6	22.0	287.4	20.6	272.2	19.4	256.0	18.0	239.8	16.7	229.4	15.9
	57	52	303.6	20.2	287.4	19.0	272.2	17.9	256.0	16.7	239.8	15.5	229.4	14.8
	62	56	303.6	18.7	287.4	17.6	272.2	16.6	256.0	15.5	239.8	14.4	229.4	13.8
	67	61	303.6	17.4	287.4	16.4	272.2	15.5	256.0	14.5	239.8	13.5	229.4	12.9
	72	66	303.6	16.2	287.4	15.3	272.2	14.5	256.0	13.6	239.8	12.7	229.4	12.2
	75	69	303.6	15.6	287.4	14.8	272.2	14.0	256.0	13.1	239.8	12.3	229.4	11.7
	80	74	303.6	14.7	287.4	13.9	272.2	13.2	256.0	12.4	239.8	11.6	229.4	11.1

NOTE - Power Input = Compressor + Outdoor Fan Motor.  
MBH = 1000 BTUs per hour.

# COOLING CAPACITY - THREE MODULE | VRB480H4

Combination (%)	Outdoor Temperature °F (Dry Bulb)	Indoor Temperature - °F (Dry Bulb / Wet Bulb)											
		67 / 57		71 / 60		75 / 63		80 / 67		85 / 71		90 / 75	
		Total Cap.	Power Input	Total Cap.	Power Input	Total Cap.	Power Input	Total Cap.	Power Input	Total Cap.	Power Input	Total Cap.	Power Input
		MBH	kW	MBH	kW	MBH	kW	MBH	kW	MBH	kW	MBH	kW
130%	-10	367.9	15.9	447.0	19.5	521.6	23.0	624.0	28.1	731.1	33.6	833.6	39.2
	-5	367.9	16.9	447.0	20.7	521.6	24.5	624.0	29.8	731.1	35.7	807.1	40.4
	10	367.9	17.2	447.0	21.2	521.6	25.0	624.0	30.5	731.1	36.5	797.6	40.8
	15	367.9	17.6	447.0	21.6	521.6	25.5	624.0	31.1	731.1	37.3	782.7	40.9
	20	367.9	18.0	447.0	22.1	521.6	26.1	624.0	31.8	731.1	38.1	767.3	40.9
	25	367.9	18.4	447.0	22.6	521.6	26.7	624.0	32.5	731.1	39.0	751.0	41.0
	30	367.9	18.8	447.0	23.1	521.6	27.3	624.0	33.3	718.3	39.2	735.4	41.1
	35	367.9	19.3	447.0	23.7	521.6	28.0	624.0	34.1	708.9	39.6	720.7	41.2
	40	367.9	19.7	447.0	24.3	521.6	28.7	624.0	34.9	703.7	40.3	712.2	41.7
	45	367.9	20.2	447.0	24.9	521.6	29.4	624.0	35.8	703.0	41.2	710.2	42.7
	50	367.9	20.8	447.0	25.5	521.6	30.1	624.0	36.7	699.9	42.1	709.5	43.7
	55	367.9	21.3	447.0	26.2	521.6	30.9	624.0	37.7	700.1	43.2	709.7	44.9
	60	367.9	21.9	447.0	26.9	521.6	31.8	624.0	38.7	703.3	44.6	710.7	46.2
	65	367.9	22.5	447.0	27.7	521.6	32.7	624.0	39.8	698.4	45.5	711.8	47.5
	70	367.9	24.5	447.0	30.1	521.6	35.5	624.0	43.3	698.9	49.6	712.4	51.8
	75	367.9	26.9	447.0	33.0	521.6	39.0	624.0	47.5	698.2	54.4	711.6	56.7
	80	367.9	29.5	447.0	36.3	521.6	42.8	624.0	52.2	695.1	59.4	708.4	62.0
	85	367.9	32.4	447.0	39.8	521.6	47.0	624.0	57.3	688.5	64.6	701.7	67.4
	90	367.9	35.5	447.0	43.6	521.6	51.5	624.0	62.7	677.2	69.6	690.2	72.6
	95	367.9	38.7	447.0	47.6	521.6	56.2	608.8	66.8	624.6	70.1	634.2	72.9
100	367.9	42.1	447.0	51.8	521.6	61.1	589.5	70.4	598.2	73.0	609.7	76.2	
105	367.9	45.5	447.0	55.9	521.6	66.0	548.7	70.7	565.0	74.4	575.9	77.7	
110	367.9	48.7	447.0	59.8	486.9	65.9	505.9	69.8	520.9	73.4	530.9	76.6	
115	367.9	51.5	416.9	59.0	433.7	62.1	450.5	65.7	463.8	69.2	472.7	72.2	
118	355.7	51.2	381.3	55.5	394.5	58.1	409.7	61.4	421.9	64.7	430.0	67.5	
125	261.5	39.2	273.0	41.4	282.5	43.4	293.3	45.9	302.1	48.3	307.9	50.4	
120%	-10	339.6	14.4	412.7	17.7	481.4	20.9	576.0	25.5	674.9	30.5	769.4	35.7
	-5	339.6	15.3	412.7	18.8	481.4	22.2	576.0	27.1	674.9	32.5	769.4	37.9
	10	339.6	15.6	412.7	19.2	481.4	22.7	576.0	27.7	674.9	33.2	769.0	38.7
	15	339.6	16.0	412.7	19.7	481.4	23.2	576.0	28.3	674.9	33.9	758.6	39.0
	20	339.6	16.3	412.7	20.1	481.4	23.7	576.0	28.9	674.9	34.6	748.2	39.3
	25	339.6	16.7	412.7	20.5	481.4	24.3	576.0	29.6	674.9	35.4	737.5	39.6
	30	339.6	17.1	412.7	21.0	481.4	24.8	576.0	30.3	674.9	36.3	722.1	39.7
	35	339.6	17.5	412.7	21.5	481.4	25.4	576.0	31.0	674.9	37.1	707.5	39.8
	40	339.6	17.9	412.7	22.1	481.4	26.0	576.0	31.7	674.9	38.0	698.7	40.3
	45	339.6	18.4	412.7	22.6	481.4	26.7	576.0	32.5	674.9	39.0	696.8	41.2
	50	339.6	18.9	412.7	23.2	481.4	27.4	576.0	33.4	674.9	40.0	696.1	42.2
	55	339.6	19.4	412.7	23.8	481.4	28.1	576.0	34.3	674.9	41.0	696.4	43.4
	60	339.6	19.9	412.7	24.5	481.4	28.9	576.0	35.2	674.9	42.2	697.3	44.6
	65	339.6	20.5	412.7	25.1	481.4	29.7	576.0	36.2	674.9	43.3	698.3	45.9
	70	339.6	22.2	412.7	27.3	481.4	32.3	576.0	39.4	674.9	47.1	698.9	50.0
	75	339.6	24.4	412.7	30.0	481.4	35.4	576.0	43.2	674.9	51.7	698.1	54.8
	80	339.6	26.8	412.7	33.0	481.4	38.9	576.0	47.4	673.3	56.7	695.0	59.9
	85	339.6	29.4	412.7	36.2	481.4	42.7	576.0	52.1	668.0	61.7	688.5	65.1
	90	339.6	32.2	412.7	39.6	481.4	46.8	576.0	57.0	659.4	66.7	677.1	70.2
	95	339.6	35.2	412.7	43.3	481.4	51.1	576.0	62.3	624.6	69.0	634.2	71.8
100	339.6	38.3	412.7	47.0	481.4	55.5	576.0	67.7	598.2	71.9	609.7	75.0	
105	339.6	41.3	412.7	50.8	481.4	60.0	546.7	69.4	565.0	73.3	575.9	76.5	
110	339.6	44.2	412.7	54.4	474.9	63.3	505.9	68.7	520.9	72.3	530.9	75.5	
115	339.6	46.8	406.6	56.7	433.7	61.1	450.5	64.7	463.8	68.1	472.7	71.1	
118	339.6	48.1	379.9	54.4	394.5	57.2	409.7	60.5	421.9	63.7	430.0	66.5	
125	261.5	38.6	273.0	40.8	282.5	42.7	293.3	45.2	302.1	47.6	307.9	49.6	

NOTE - Power Input = Compressor + Outdoor Fan Motor.  
 MBH = 1000 BTUs per hour.

# COOLING CAPACITY - THREE MODULE | VRB480H4

Combination (%)	Outdoor Temperature °F (Dry Bulb)	Indoor Temperature - °F (Dry Bulb / Wet Bulb)											
		67 / 57		71 / 60		75 / 63		80 / 67		85 / 71		90 / 75	
		Total Cap.	Power Input	Total Cap.	Power Input	Total Cap.	Power Input	Total Cap.	Power Input	Total Cap.	Power Input	Total Cap.	Power Input
		MBH	KW	MBH	KW	MBH	KW	MBH	KW	MBH	KW	MBH	KW
110%	-10	311.3	13.0	378.3	16.0	441.3	18.9	528.0	23.0	618.6	27.6	705.3	32.2
	-5	311.3	13.8	378.3	17.0	441.3	20.1	528.0	24.5	618.6	29.3	705.3	34.2
	10	311.3	14.1	378.3	17.4	441.3	20.5	528.0	25.0	618.6	29.9	705.3	35.0
	15	311.3	14.4	378.3	17.7	441.3	21.0	528.0	25.5	618.6	30.6	705.3	35.7
	20	311.3	14.8	378.3	18.1	441.3	21.4	528.0	26.1	618.6	31.3	705.3	36.5
	25	311.3	15.1	378.3	18.5	441.3	21.9	528.0	26.7	618.6	32.0	705.3	37.3
	30	311.3	15.4	378.3	19.0	441.3	22.4	528.0	27.3	618.6	32.7	699.1	37.9
	35	311.3	15.8	378.3	19.4	441.3	23.0	528.0	28.0	618.6	33.5	689.7	38.3
	40	311.3	16.2	378.3	19.9	441.3	23.5	528.0	28.7	618.6	34.3	684.2	38.9
	45	311.3	16.6	378.3	20.4	441.3	24.1	528.0	29.4	618.6	35.2	683.4	39.8
	50	311.3	17.0	378.3	20.9	441.3	24.7	528.0	30.1	618.6	36.1	682.7	40.8
	55	311.3	17.5	378.3	21.5	441.3	25.4	528.0	30.9	618.6	37.1	683.0	41.9
	60	311.3	18.0	378.3	22.1	441.3	26.1	528.0	31.8	618.6	38.1	683.9	43.1
	65	311.3	18.5	378.3	22.7	441.3	26.8	528.0	32.7	618.6	39.1	684.9	44.4
	70	311.3	20.1	378.3	24.7	441.3	29.1	528.0	35.5	618.6	42.6	685.5	48.3
	75	311.3	22.0	378.3	27.1	441.3	32.0	528.0	39.0	618.6	46.7	684.7	52.9
	80	311.3	24.2	378.3	29.8	441.3	35.1	528.0	42.8	618.6	51.3	681.7	57.9
	85	311.3	26.6	378.3	32.6	441.3	38.5	528.0	47.0	618.6	56.3	675.2	62.9
	90	311.3	29.1	378.3	35.8	441.3	42.2	528.0	51.5	618.6	61.7	664.1	67.8
	95	311.3	31.8	378.3	39.1	441.3	46.1	528.0	56.2	618.6	67.3	634.2	70.7
100	311.3	34.5	378.3	42.5	441.3	50.1	528.0	61.1	594.6	70.4	609.7	73.9	
105	311.3	37.3	378.3	45.9	441.3	54.1	528.0	66.0	565.0	72.2	575.9	75.3	
110	311.3	39.9	378.3	49.1	441.3	57.9	501.6	67.1	520.9	71.2	530.9	74.3	
115	311.3	42.2	378.3	51.9	425.0	59.0	450.5	63.7	463.8	67.1	472.7	70.0	
118	311.3	43.4	369.6	52.1	394.5	56.3	409.7	59.6	421.9	62.7	430.0	65.5	
125	261.5	38.0	273.0	40.1	282.5	42.0	293.3	44.5	302.1	46.8	307.9	48.9	
100%	-10	283.0	11.7	343.9	14.3	401.2	16.9	480.0	20.6	562.4	24.7	641.2	28.8
	-5	283.0	12.4	343.9	15.2	401.2	18.0	480.0	21.9	562.4	26.2	641.2	30.6
	10	283.0	12.6	343.9	15.5	401.2	18.4	480.0	22.4	562.4	26.8	641.2	31.3
	15	283.0	12.9	343.9	15.9	401.2	18.8	480.0	22.9	562.4	27.4	641.2	32.0
	20	283.0	13.2	343.9	16.2	401.2	19.2	480.0	23.4	562.4	28.0	641.2	32.7
	25	283.0	13.5	343.9	16.6	401.2	19.6	480.0	23.9	562.4	28.6	641.2	33.4
	30	283.0	13.8	343.9	17.0	401.2	20.1	480.0	24.5	562.4	29.3	641.2	34.2
	35	283.0	14.2	343.9	17.4	401.2	20.6	480.0	25.0	562.4	30.0	641.2	35.0
	40	283.0	14.5	343.9	17.8	401.2	21.1	480.0	25.7	562.4	30.7	641.2	35.9
	45	283.0	14.9	343.9	18.3	401.2	21.6	480.0	26.3	562.4	31.5	641.2	36.8
	50	283.0	15.3	343.9	18.8	401.2	22.1	480.0	27.0	562.4	32.3	641.2	37.7
	55	283.0	15.7	343.9	19.2	401.2	22.7	480.0	27.7	562.4	33.2	641.2	38.7
	60	283.0	16.1	343.9	19.8	401.2	23.3	480.0	28.5	562.4	34.1	641.2	39.8
	65	283.0	16.5	343.9	20.3	401.2	24.0	480.0	29.2	562.4	35.0	641.2	40.9
	70	283.0	18.0	343.9	22.1	401.2	26.1	480.0	31.8	562.4	38.1	641.2	44.5
	75	283.0	19.7	343.9	24.3	401.2	28.7	480.0	34.9	562.4	41.8	641.2	48.8
	80	283.0	21.7	343.9	26.6	401.2	31.5	480.0	38.3	562.4	45.9	641.2	53.6
	85	283.0	23.8	343.9	29.2	401.2	34.5	480.0	42.1	562.4	50.4	641.2	58.9
	90	283.0	26.1	343.9	32.0	401.2	37.8	480.0	46.1	562.4	55.2	640.1	64.4
	95	283.0	28.5	343.9	35.0	401.2	41.3	<b>480.0</b>	<b>50.3</b>	562.4	60.3	627.4	68.9
100	283.0	30.9	343.9	38.0	401.2	44.9	480.0	54.7	562.4	65.6	609.3	72.7	
105	283.0	33.4	343.9	41.1	401.2	48.5	480.0	59.1	553.7	69.7	575.9	74.2	
110	283.0	35.7	343.9	43.9	401.2	51.9	480.0	63.2	520.9	70.1	530.9	73.2	
115	283.0	37.8	343.9	46.5	401.2	54.9	447.8	62.4	463.8	66.1	472.7	69.0	
118	283.0	38.9	343.9	47.8	385.3	54.2	409.7	58.7	421.9	61.8	430.0	64.5	
125	257.7	36.9	273.0	39.5	282.5	41.4	293.3	43.8	302.1	46.1	307.9	48.1	

NOTE - Power Input = Compressor + Outdoor Fan Motor.  
MBH = 1000 BTUs per hour.



# COOLING CAPACITY - THREE MODULE | VRB480H4

Combination (%)	Outdoor Temperature °F (Dry Bulb)	Indoor Temperature - °F (Dry Bulb / Wet Bulb)											
		67 / 57		71 / 60		75 / 63		80 / 67		85 / 71		90 / 75	
		Total Cap.	Power Input	Total Cap.	Power Input	Total Cap.	Power Input	Total Cap.	Power Input	Total Cap.	Power Input	Total Cap.	Power Input
		MBH	kW	MBH	kW	MBH	kW	MBH	kW	MBH	kW	MBH	kW
90%	-10	254.7	10.3	309.5	12.7	361.1	15.0	432.0	18.3	506.1	21.9	577.1	25.6
	-5	254.7	11.0	309.5	13.5	361.1	15.9	432.0	19.4	506.1	23.3	577.1	27.2
	10	254.7	11.2	309.5	13.8	361.1	16.3	432.0	19.8	506.1	23.8	577.1	27.8
	15	254.7	11.5	309.5	14.1	361.1	16.6	432.0	20.3	506.1	24.3	577.1	28.4
	20	254.7	11.7	309.5	14.4	361.1	17.0	432.0	20.7	506.1	24.8	577.1	29.0
	25	254.7	12.0	309.5	14.7	361.1	17.4	432.0	21.2	506.1	25.4	577.1	29.6
	30	254.7	12.3	309.5	15.1	361.1	17.8	432.0	21.7	506.1	26.0	577.1	30.3
	35	254.7	12.6	309.5	15.4	361.1	18.2	432.0	22.2	506.1	26.6	577.1	31.1
	40	254.7	12.9	309.5	15.8	361.1	18.7	432.0	22.8	506.1	27.3	577.1	31.8
	45	254.7	13.2	309.5	16.2	361.1	19.1	432.0	23.3	506.1	27.9	577.1	32.6
	50	254.7	13.5	309.5	16.6	361.1	19.6	432.0	23.9	506.1	28.7	577.1	33.5
	55	254.7	13.9	309.5	17.1	361.1	20.2	432.0	24.6	506.1	29.4	577.1	34.4
	60	254.7	14.3	309.5	17.5	361.1	20.7	432.0	25.2	506.1	30.2	577.1	35.3
	65	254.7	14.7	309.5	18.0	361.1	21.3	432.0	25.9	506.1	31.1	577.1	36.3
	70	254.7	15.9	309.5	19.6	361.1	23.1	432.0	28.2	506.1	33.8	577.1	39.5
	75	254.7	17.5	309.5	21.5	361.1	25.4	432.0	31.0	506.1	37.1	577.1	43.3
	80	254.7	19.2	309.5	23.6	361.1	27.9	432.0	34.0	506.1	40.7	577.1	47.6
	85	254.7	21.1	309.5	25.9	361.1	30.6	432.0	37.3	506.1	44.7	577.1	52.2
	90	254.7	23.1	309.5	28.4	361.1	33.5	432.0	40.9	506.1	49.0	577.1	57.2
	95	254.7	25.2	309.5	31.0	361.1	36.6	432.0	44.6	506.1	53.5	577.1	62.4
100	254.7	27.4	309.5	33.7	361.1	39.8	432.0	48.5	506.1	58.1	577.1	67.9	
105	254.7	29.6	309.5	36.4	361.1	43.0	432.0	52.4	506.1	62.8	565.5	71.8	
110	254.7	31.7	309.5	39.0	361.1	46.0	432.0	56.1	505.2	67.0	530.9	72.1	
115	254.7	33.5	309.5	41.2	361.1	48.7	432.0	59.3	463.8	65.1	472.7	67.9	
118	254.7	34.5	309.5	42.4	361.1	50.0	404.8	57.1	421.9	60.9	430.0	63.5	
125	249.2	35.2	273.0	39.0	282.5	40.8	293.3	43.2	302.1	45.4	307.9	47.4	
80%	-10	226.4	9.1	275.1	11.1	321.0	13.1	384.0	16.0	449.9	19.2	513.0	22.4
	-5	226.4	9.6	275.1	11.8	321.0	14.0	384.0	17.0	449.9	20.4	513.0	23.8
	10	226.4	9.8	275.1	12.1	321.0	14.3	384.0	17.4	449.9	20.8	513.0	24.3
	15	226.4	10.0	275.1	12.3	321.0	14.6	384.0	17.8	449.9	21.3	513.0	24.8
	20	226.4	10.3	275.1	12.6	321.0	14.9	384.0	18.1	449.9	21.7	513.0	25.4
	25	226.4	10.5	275.1	12.9	321.0	15.2	384.0	18.6	449.9	22.2	513.0	26.0
	30	226.4	10.7	275.1	13.2	321.0	15.6	384.0	19.0	449.9	22.8	513.0	26.6
	35	226.4	11.0	275.1	13.5	321.0	16.0	384.0	19.5	449.9	23.3	513.0	27.2
	40	226.4	11.3	275.1	13.8	321.0	16.4	384.0	19.9	449.9	23.9	513.0	27.9
	45	226.4	11.6	275.1	14.2	321.0	16.8	384.0	20.4	449.9	24.5	513.0	28.6
	50	226.4	11.8	275.1	14.6	321.0	17.2	384.0	21.0	449.9	25.1	513.0	29.3
	55	226.4	12.2	275.1	14.9	321.0	17.7	384.0	21.5	449.9	25.8	513.0	30.1
	60	226.4	12.5	275.1	15.4	321.0	18.1	384.0	22.1	449.9	26.5	513.0	30.9
	65	226.4	12.8	275.1	15.8	321.0	18.6	384.0	22.7	449.9	27.2	513.0	31.8
	70	226.4	14.0	275.1	17.2	321.0	20.3	384.0	24.7	449.9	29.6	513.0	34.6
	75	226.4	15.3	275.1	18.8	321.0	22.3	384.0	27.1	449.9	32.5	513.0	37.9
	80	226.4	16.8	275.1	20.7	321.0	24.4	384.0	29.8	449.9	35.7	513.0	41.7
	85	226.4	18.5	275.1	22.7	321.0	26.8	384.0	32.7	449.9	39.1	513.0	45.7
	90	226.4	20.2	275.1	24.9	321.0	29.4	384.0	35.8	449.9	42.9	513.0	50.1
	95	226.4	22.1	275.1	27.2	321.0	32.1	384.0	39.1	449.9	46.8	513.0	54.7
100	226.4	24.0	275.1	29.5	321.0	34.9	384.0	42.5	449.9	50.9	513.0	59.5	
105	226.4	25.9	275.1	31.9	321.0	37.7	384.0	45.9	449.9	55.0	513.0	64.2	
110	226.4	27.8	275.1	34.1	321.0	40.3	384.0	49.1	449.9	58.8	513.0	68.7	
115	226.4	29.4	275.1	36.1	321.0	42.6	384.0	52.0	447.9	62.0	472.7	66.9	
118	226.4	30.2	275.1	37.1	321.0	43.8	384.0	53.4	418.3	59.5	430.0	62.6	
125	226.4	31.5	263.0	37.0	282.5	40.2	293.3	42.5	302.1	44.8	307.9	46.7	

NOTE - Power Input = Compressor + Outdoor Fan Motor.  
 MBH = 1000 BTUs per hour.

# COOLING CAPACITY - THREE MODULE | VRB480H4

Combination (%)	Outdoor Temperature °F (Dry Bulb)	Indoor Temperature - °F (Dry Bulb / Wet Bulb)											
		67 / 57		71 / 60		75 / 63		80 / 67		85 / 71		90 / 75	
		Total Cap.	Power Input	Total Cap.	Power Input	Total Cap.	Power Input	Total Cap.	Power Input	Total Cap.	Power Input	Total Cap.	Power Input
		MBH	KW	MBH	KW	MBH	KW	MBH	KW	MBH	KW	MBH	KW
70%	-10	198.1	7.8	240.7	9.6	280.8	11.3	336.0	13.8	393.7	16.5	448.8	19.3
	-5	198.1	8.3	240.7	10.2	280.8	12.0	336.0	14.7	393.7	17.6	448.8	20.5
	10	198.1	8.5	240.7	10.4	280.8	12.3	336.0	15.0	393.7	18.0	448.8	21.0
	15	198.1	8.7	240.7	10.6	280.8	12.6	336.0	15.3	393.7	18.4	448.8	21.4
	20	198.1	8.8	240.7	10.9	280.8	12.8	336.0	15.7	393.7	18.7	448.8	21.9
	25	198.1	9.1	240.7	11.1	280.8	13.1	336.0	16.0	393.7	19.2	448.8	22.4
	30	198.1	9.3	240.7	11.4	280.8	13.4	336.0	16.4	393.7	19.6	448.8	22.9
	35	198.1	9.5	240.7	11.7	280.8	13.8	336.0	16.8	393.7	20.1	448.8	23.5
	40	198.1	9.7	240.7	11.9	280.8	14.1	336.0	17.2	393.7	20.6	448.8	24.0
	45	198.1	10.0	240.7	12.2	280.8	14.5	336.0	17.6	393.7	21.1	448.8	24.6
	50	198.1	10.2	240.7	12.6	280.8	14.8	336.0	18.1	393.7	21.7	448.8	25.3
	55	198.1	10.5	240.7	12.9	280.8	15.2	336.0	18.6	393.7	22.2	448.8	26.0
	60	198.1	10.8	240.7	13.2	280.8	15.6	336.0	19.1	393.7	22.8	448.8	26.7
	65	198.1	11.1	240.7	13.6	280.8	16.1	336.0	19.6	393.7	23.5	448.8	27.4
	70	198.1	12.0	240.7	14.8	280.8	17.5	336.0	21.3	393.7	25.5	448.8	29.8
	75	198.1	13.2	240.7	16.3	280.8	19.2	336.0	23.4	393.7	28.0	448.8	32.7
	80	198.1	14.5	240.7	17.8	280.8	21.1	336.0	25.7	393.7	30.8	448.8	35.9
	85	198.1	15.9	240.7	19.6	280.8	23.1	336.0	28.2	393.7	33.8	448.8	39.4
	90	198.1	17.5	240.7	21.5	280.8	25.3	336.0	30.9	393.7	37.0	448.8	43.2
	95	198.1	19.1	240.7	23.4	280.8	27.7	336.0	33.7	393.7	40.4	448.8	47.2
100	198.1	20.7	240.7	25.5	280.8	30.1	336.0	36.7	393.7	43.9	448.8	51.3	
105	198.1	22.4	240.7	27.5	280.8	32.5	336.0	39.6	393.7	47.4	448.8	55.4	
110	198.1	23.9	240.7	29.4	280.8	34.8	336.0	42.4	393.7	50.7	448.8	59.2	
115	198.1	25.3	240.7	31.1	280.8	36.8	336.0	44.8	393.7	53.7	448.8	62.7	
118	198.1	26.0	240.7	32.0	280.8	37.8	336.0	46.1	393.7	55.2	448.8	60.8	
125	198.1	27.2	240.7	33.4	270.9	38.0	293.3	41.9	302.1	44.1	307.9	46.1	
60%	-10	169.8	6.6	206.3	8.1	240.7	9.6	288.0	11.7	337.4	14.0	384.7	16.3
	-5	169.8	7.0	206.3	8.6	240.7	10.2	288.0	12.4	337.4	14.9	384.7	17.3
	10	169.8	7.2	206.3	8.8	240.7	10.4	288.0	12.7	337.4	15.2	384.7	17.7
	15	169.8	7.3	206.3	9.0	240.7	10.6	288.0	12.9	337.4	15.5	384.7	18.1
	20	169.8	7.5	206.3	9.2	240.7	10.9	288.0	13.2	337.4	15.8	384.7	18.5
	25	169.8	7.6	206.3	9.4	240.7	11.1	288.0	13.5	337.4	16.2	384.7	18.9
	30	169.8	7.8	206.3	9.6	240.7	11.4	288.0	13.8	337.4	16.6	384.7	19.4
	35	169.8	8.0	206.3	9.9	240.7	11.6	288.0	14.2	337.4	17.0	384.7	19.8
	40	169.8	8.2	206.3	10.1	240.7	11.9	288.0	14.5	337.4	17.4	384.7	20.3
	45	169.8	8.4	206.3	10.3	240.7	12.2	288.0	14.9	337.4	17.8	384.7	20.8
	50	169.8	8.6	206.3	10.6	240.7	12.5	288.0	15.3	337.4	18.3	384.7	21.4
	55	169.8	8.9	206.3	10.9	240.7	12.9	288.0	15.7	337.4	18.8	384.7	21.9
	60	169.8	9.1	206.3	11.2	240.7	13.2	288.0	16.1	337.4	19.3	384.7	22.5
	65	169.8	9.4	206.3	11.5	240.7	13.6	288.0	16.6	337.4	19.8	384.7	23.2
	70	169.8	10.2	206.3	12.5	240.7	14.8	288.0	18.0	337.4	21.6	384.7	25.2
	75	169.8	11.2	206.3	13.7	240.7	16.2	288.0	19.8	337.4	23.7	384.7	27.6
	80	169.8	12.3	206.3	15.1	240.7	17.8	288.0	21.7	337.4	26.0	384.7	30.4
	85	169.8	13.5	206.3	16.5	240.7	19.5	288.0	23.8	337.4	28.5	384.7	33.3
	90	169.8	14.7	206.3	18.1	240.7	21.4	288.0	26.1	337.4	31.3	384.7	36.5
	95	169.8	16.1	206.3	19.8	240.7	23.4	288.0	28.5	337.4	34.1	384.7	39.9
100	169.8	17.5	206.3	21.5	240.7	25.4	288.0	31.0	337.4	37.1	384.7	43.3	
105	169.8	18.9	206.3	23.2	240.7	27.4	288.0	33.4	337.4	40.1	384.7	46.8	
110	169.8	20.2	206.3	24.9	240.7	29.4	288.0	35.8	337.4	42.9	384.7	50.1	
115	169.8	21.4	206.3	26.3	240.7	31.1	288.0	37.9	337.4	45.4	384.7	53.0	
118	169.8	22.0	206.3	27.1	240.7	31.9	288.0	38.9	337.4	46.6	384.7	54.5	
125	169.8	23.0	206.3	28.2	240.7	33.3	280.3	39.5	300.9	43.3	307.9	45.4	

NOTE - Power Input = Compressor + Outdoor Fan Motor.  
 MBH = 1000 BTUs per hour.

## COOLING CAPACITY - THREE MODULE | VRB480H4

Combination (%)	Outdoor Temperature °F (Dry Bulb)	Indoor Temperature - °F (Dry Bulb / Wet Bulb)											
		67 / 57		71 / 60		75 / 63		80 / 67		85 / 71		90 / 75	
		Total Cap.	Power Input	Total Cap.	Power Input	Total Cap.	Power Input	Total Cap.	Power Input	Total Cap.	Power Input	Total Cap.	Power Input
		MBH	kW	MBH	kW	MBH	kW	MBH	kW	MBH	kW	MBH	kW
50%	-10	137.9	5.3	171.9	6.7	200.6	7.9	240.0	9.6	281.2	11.5	320.6	13.4
	-5	141.5	5.8	171.9	7.1	200.6	8.4	240.0	10.2	281.2	12.2	320.6	14.3
	10	141.5	5.9	171.9	7.2	200.6	8.5	240.0	10.4	281.2	12.5	320.6	14.6
	15	141.5	6.0	171.9	7.4	200.6	8.7	240.0	10.6	281.2	12.7	320.6	14.9
	20	141.5	6.1	171.9	7.6	200.6	8.9	240.0	10.9	281.2	13.0	320.6	15.2
	25	141.5	6.3	171.9	7.7	200.6	9.1	240.0	11.1	281.2	13.3	320.6	15.6
	30	141.5	6.4	171.9	7.9	200.6	9.3	240.0	11.4	281.2	13.6	320.6	15.9
	35	141.5	6.6	171.9	8.1	200.6	9.6	240.0	11.7	281.2	14.0	320.6	16.3
	40	141.5	6.7	171.9	8.3	200.6	9.8	240.0	11.9	281.2	14.3	320.6	16.7
	45	141.5	6.9	171.9	8.5	200.6	10.0	240.0	12.2	281.2	14.7	320.6	17.1
	50	141.5	7.1	171.9	8.7	200.6	10.3	240.0	12.6	281.2	15.0	320.6	17.6
	55	141.5	7.3	171.9	9.0	200.6	10.6	240.0	12.9	281.2	15.4	320.6	18.0
	60	141.5	7.5	171.9	9.2	200.6	10.9	240.0	13.2	281.2	15.9	320.6	18.5
	65	141.5	7.7	171.9	9.5	200.6	11.2	240.0	13.6	281.2	16.3	320.6	19.0
	70	141.5	8.4	171.9	10.3	200.6	12.1	240.0	14.8	281.2	17.7	320.6	20.7
	75	141.5	9.2	171.9	11.3	200.6	13.3	240.0	16.2	281.2	19.5	320.6	22.7
	80	141.5	10.1	171.9	12.4	200.6	14.6	240.0	17.8	281.2	21.4	320.6	24.9
	85	141.5	11.1	171.9	13.6	200.6	16.1	240.0	19.6	281.2	23.4	320.6	27.4
90	141.5	12.1	171.9	14.9	200.6	17.6	240.0	21.4	281.2	25.7	320.6	30.0	
95	141.5	13.2	171.9	16.3	200.6	19.2	240.0	23.4	281.2	28.0	320.6	32.8	
100	141.5	14.4	171.9	17.7	200.6	20.9	240.0	25.5	281.2	30.5	320.6	35.6	
105	141.5	15.5	171.9	19.1	200.6	22.5	240.0	27.5	281.2	32.9	320.6	38.4	
110	141.5	16.6	171.9	20.4	200.6	24.1	240.0	29.4	281.2	35.2	320.6	41.1	
115	141.5	17.6	171.9	21.6	200.6	25.5	240.0	31.1	281.2	37.3	320.6	43.5	
118	141.5	18.1	171.9	22.2	200.6	26.2	240.0	32.0	281.2	38.3	320.6	44.7	
125	141.5	18.9	171.9	23.2	200.6	27.4	240.0	33.4	281.2	40.0	299.7	43.6	

NOTE - Power Input = Compressor + Outdoor Fan Motor.  
 MBH = 1000 BTUs per hour.

# HEATING CAPACITY - THREE MODULE | VRB480H4

Combination (%)	Outdoor Temperature (°F)		Indoor Temperature - °F Dry Bulb											
			61		64		67		70		73		75	
	Dry Bulb	Wet Bulb	Total Cap.	Power Input	Total Cap.	Power Input	Total Cap.	Power Input	Total Cap.	Power Input	Total Cap.	Power Input	Total Cap.	Power Input
			MBH	kW	MBH	kW	MBH	kW	MBH	kW	MBH	kW	MBH	kW
130%	-13	-14	300.2	39.7	299.4	40.8	298.7	41.9	297.9	43.1	297.1	44.4	296.7	45.3
	-8	-9	311.6	41.3	310.8	42.4	310.1	43.5	309.3	44.8	308.5	46.1	308.0	47.0
	-3	-4	330.7	43.5	329.8	44.7	329.0	45.9	328.2	47.2	327.3	48.6	326.8	49.5
	2	1	355.3	46.2	354.3	47.4	353.5	48.6	352.6	50.0	351.7	51.5	351.1	52.5
	7	6	383.4	48.9	382.4	50.2	381.5	51.5	380.5	52.9	379.5	54.4	378.9	55.4
	12	10	413.4	51.5	412.4	52.8	411.4	54.1	410.3	55.6	409.3	57.1	408.6	58.2
	17	15	443.9	53.7	442.7	55.0	441.7	56.3	440.5	57.8	439.4	59.4	438.7	60.4
	22	20	473.5	55.4	472.3	56.7	471.1	58.0	469.9	59.5	468.7	61.0	467.9	62.0
	27	24	501.2	56.5	499.9	57.7	498.7	59.0	497.4	60.4	496.1	61.9	495.3	62.9
	32	29	526.3	56.9	524.9	58.1	523.7	59.3	522.3	60.7	521.2	61.6	520.2	60.5
	37	34	548.1	56.7	546.7	57.8	545.4	59.0	544.3	59.0	543.3	57.7	542.2	56.8
	42	38	566.5	55.8	565.4	57.0	564.3	56.2	563.2	55.1	562.2	54.1	561.1	53.5
	47	43	599.9	55.7	598.8	54.9	597.8	54.1	596.7	53.3	595.6	52.5	594.5	52.0
	52	47	658.7	55.7	657.6	55.0	656.5	54.4	655.5	53.8	646.7	52.6	626.6	50.6
	57	52	715.4	55.6	714.3	55.0	713.3	54.6	699.4	53.2	655.2	49.4	626.6	47.0
	62	56	770.1	55.3	766.4	54.7	743.6	52.9	699.4	49.5	655.2	46.1	626.6	43.9
	67	61	817.4	54.6	785.2	52.3	743.6	49.3	699.4	46.2	655.2	43.2	626.6	41.2
	72	66	829.4	51.8	785.2	48.9	743.6	46.2	699.4	43.4	655.2	40.6	626.6	38.8
	75	69	829.4	49.8	785.2	47.1	743.6	44.6	699.4	41.9	655.2	39.2	626.6	37.5
	80	74	829.4	46.8	785.2	44.3	743.6	42.0	699.4	39.5	655.2	37.1	626.6	35.4
120%	-13	-14	299.0	39.0	298.2	40.0	297.5	41.1	296.7	42.3	296.0	43.5	295.5	44.4
	-8	-9	310.4	40.5	309.6	41.6	308.8	42.7	308.0	43.9	307.2	45.2	306.7	46.1
	-3	-4	329.4	42.7	328.5	43.8	327.7	45.0	326.9	46.3	326.0	47.6	325.5	48.6
	2	1	353.8	45.3	352.9	46.5	352.1	47.7	351.2	49.0	350.3	50.5	349.7	51.5
	7	6	381.9	48.0	380.9	49.2	380.0	50.5	379.0	51.9	378.0	53.4	377.4	54.4
	12	10	411.8	50.5	410.8	51.8	409.8	53.1	408.7	54.5	407.7	56.0	407.0	57.1
	17	15	442.1	52.7	441.0	54.0	439.9	55.3	438.8	56.7	437.7	58.2	436.9	59.3
	22	20	471.6	54.3	470.4	55.6	469.3	56.9	468.0	58.3	466.8	59.8	466.1	60.8
	27	24	499.2	55.4	497.9	56.6	496.7	57.9	495.5	59.3	494.2	60.7	493.4	61.7
	32	29	524.2	55.8	522.9	57.0	521.6	58.2	520.3	59.5	519.2	60.4	518.1	59.3
	37	34	546.0	55.6	544.6	56.7	543.3	57.8	542.2	57.8	541.1	56.5	540.0	55.7
	42	38	564.2	54.8	563.1	55.9	562.1	55.1	561.0	54.1	559.9	53.1	556.3	52.2
	47	43	599.9	54.8	598.8	54.0	597.8	53.2	596.7	52.4	590.2	51.2	578.4	49.8
	52	47	658.7	54.8	657.6	54.2	656.5	53.6	644.5	52.1	604.8	48.4	578.4	46.0
	57	52	715.4	54.7	709.8	53.9	686.4	51.8	645.6	48.3	604.8	44.9	578.4	42.8
	62	56	761.3	53.8	724.8	51.0	686.4	48.0	645.6	44.9	604.8	41.9	578.4	39.9
	67	61	765.6	50.3	724.8	47.5	686.4	44.8	645.6	42.0	604.8	39.2	578.4	37.4
	72	66	765.6	47.0	724.8	44.4	686.4	42.0	645.6	39.4	604.8	36.9	578.4	35.2
	75	69	765.6	45.2	724.8	42.8	686.4	40.5	645.6	38.0	604.8	35.6	578.4	34.0
	80	74	765.6	42.6	724.8	40.3	686.4	38.2	645.6	35.9	604.8	33.7	578.4	32.2
110%	-13	-14	297.8	38.2	297.0	39.3	296.3	40.3	295.6	41.5	294.8	42.7	294.3	43.5
	-8	-9	309.1	39.7	308.4	40.8	307.6	41.8	306.8	43.0	306.0	44.3	305.5	45.2
	-3	-4	328.1	41.9	327.2	43.0	326.4	44.1	325.6	45.4	324.8	46.7	324.2	47.6
	2	1	352.4	44.4	351.5	45.6	350.7	46.8	349.8	48.1	348.9	49.5	348.3	50.5
	7	6	380.4	47.1	379.4	48.3	378.5	49.5	377.5	50.9	376.5	52.3	375.9	53.3
	12	10	410.2	49.5	409.1	50.8	408.1	52.1	407.1	53.5	406.0	54.9	405.4	56.0
	17	15	440.4	51.7	439.2	52.9	438.2	54.2	437.1	55.6	435.9	57.1	435.2	58.1
	22	20	469.7	53.3	468.5	54.6	467.4	55.8	466.2	57.2	465.0	58.7	464.2	59.7
	27	24	497.2	54.3	496.0	55.5	494.8	56.8	493.5	58.1	492.2	59.6	492.2	60.6
	32	29	522.1	54.7	520.8	55.9	519.5	57.1	518.2	58.4	517.1	59.3	511.5	57.7
	37	34	543.8	54.5	542.4	55.6	541.1	56.7	540.0	56.7	534.9	55.1	526.9	53.6
	42	38	562.0	53.7	560.9	54.8	559.8	54.0	558.8	53.0	548.3	51.3	530.2	49.1
	47	43	599.9	54.0	598.8	53.2	597.8	52.4	587.1	50.9	554.4	47.4	530.2	45.0
	52	47	658.7	54.0	651.7	52.9	629.2	50.6	591.8	47.1	554.4	43.7	530.2	41.5
	57	52	701.8	52.9	664.4	49.7	629.2	46.7	591.8	43.6	554.4	40.6	530.2	38.6
	62	56	701.8	48.9	664.4	46.0	629.2	43.4	591.8	40.6	554.4	37.8	530.2	36.0
	67	61	701.8	45.4	664.4	42.9	629.2	40.5	591.8	37.9	554.4	35.4	530.2	33.8
	72	66	701.8	42.5	664.4	40.1	629.2	37.9	591.8	35.6	554.4	33.3	530.2	31.8
	75	69	701.8	40.8	664.4	38.6	629.2	36.6	591.8	34.3	554.4	32.1	530.2	30.7
	80	74	701.8	38.4	664.4	36.4	629.2	34.5	591.8	32.4	554.4	30.4	530.2	29.1

NOTE - Power Input = Compressor + Outdoor Fan Motor.  
 MBH = 1000 BTUs per hour.

# HEATING CAPACITY - THREE MODULE | VRB480H4

Combination (%)	Outdoor Temperature (°F)		Indoor Temperature - °F Dry Bulb											
			61		64		67		70		73		75	
	Dry Bulb	Wet Bulb	Total Cap.	Power Input	Total Cap.	Power Input	Total Cap.	Power Input	Total Cap.	Power Input	Total Cap.	Power Input	Total Cap.	Power Input
			MBH	kW	MBH	kW	MBH	kW	MBH	kW	MBH	kW	MBH	kW
100%	-13	-14	296.6	37.5	295.9	38.5	295.1	39.5	294.4	40.7	293.6	41.9	293.1	42.7
	-8	-9	307.9	38.9	307.1	40.0	306.4	41.0	305.6	42.2	304.8	43.5	304.3	44.4
	-3	-4	326.7	41.1	325.9	42.2	325.1	43.3	324.3	44.5	323.5	45.8	322.9	46.7
	2	1	351.0	43.6	350.1	44.7	349.3	45.9	348.4	47.2	347.5	48.6	346.9	49.5
	7	6	378.9	46.2	377.9	47.4	377.0	48.6	376.0	49.9	375.0	51.3	374.4	52.3
	12	10	408.5	48.6	407.5	49.8	406.5	51.1	405.5	52.4	404.4	53.9	403.7	54.9
	17	15	438.6	50.7	437.5	51.9	436.4	53.2	435.3	54.6	434.2	56.0	433.5	57.0
	22	20	467.8	52.3	466.7	53.5	465.5	54.7	464.3	56.1	463.1	57.6	460.3	58.3
	27	24	495.3	53.3	494.0	54.5	492.8	55.7	491.5	57.0	489.9	57.9	478.7	58.2
	32	29	520.0	53.7	518.7	54.8	517.5	56.0	514.0	57.0	502.8	56.9	482.0	53.6
	37	34	541.6	53.5	540.3	54.6	539.0	55.6	529.0	54.8	504.0	51.2	482.0	48.3
	42	38	559.7	52.7	558.3	53.7	553.2	52.6	538.0	50.4	504.0	46.4	482.0	43.9
	47	43	574.2	50.9	572.8	50.1	563.8	48.8	538.0	45.9	504.0	42.5	482.0	40.3
	52	47	585.2	47.3	582.8	46.6	572.0	45.3	538.0	42.2	504.0	39.2	482.0	37.2
	57	52	593.1	44.0	589.0	43.4	572.0	41.8	538.0	39.1	504.0	36.3	482.0	34.6
	62	56	598.3	41.0	593.2	40.5	572.0	38.8	538.0	36.3	504.0	33.9	482.0	32.3
	67	61	601.8	38.3	595.8	37.9	572.0	36.2	538.0	34.0	504.0	31.7	482.0	30.3
	72	66	604.5	36.0	597.4	35.5	572.0	34.0	538.0	31.9	504.0	29.8	482.0	28.5
	75	69	606.2	34.7	598.0	34.2	572.0	32.7	538.0	30.8	504.0	28.8	482.0	27.5
	80	74	610.4	32.9	599.2	32.3	572.0	30.9	538.0	29.0	504.0	27.2	482.0	26.0
90%	-13	-14	295.4	36.8	294.7	37.8	294.0	38.8	293.2	39.9	292.5	41.1	292.0	41.9
	-8	-9	306.7	38.2	305.9	39.2	305.2	40.3	304.4	41.4	303.6	42.7	303.1	43.5
	-3	-4	325.4	40.3	324.6	41.4	323.8	42.5	323.0	43.7	322.2	45.0	321.6	45.9
	2	1	349.6	42.8	348.7	43.9	347.9	45.0	347.0	46.3	346.1	47.7	345.5	48.6
	7	6	377.3	45.3	376.4	46.5	375.5	47.7	374.5	49.0	373.5	50.4	372.9	51.3
	12	10	406.9	47.7	405.9	48.9	404.9	50.1	403.8	51.5	402.8	52.9	402.1	53.9
	17	15	436.9	49.7	435.7	51.0	434.7	52.2	433.6	53.5	431.5	54.9	425.1	55.2
	22	20	466.0	51.3	464.8	52.5	463.7	53.7	461.0	54.9	449.9	55.2	430.3	53.8
	27	24	493.3	52.3	492.0	53.5	489.5	54.5	479.4	54.9	448.0	52.7	430.8	51.6
	32	29	518.0	52.7	516.0	53.7	506.5	54.1	475.1	52.0	452.5	50.4	433.8	47.6
	37	34	539.5	52.5	531.1	52.9	500.6	51.0	476.1	48.6	453.6	45.4	433.8	42.8
	42	38	554.2	51.4	522.2	49.5	497.9	46.7	484.2	44.7	453.6	41.2	433.8	39.0
	47	43	543.8	47.5	517.0	44.5	507.4	43.2	484.2	40.7	453.6	37.7	433.8	35.7
	52	47	534.6	42.5	524.5	41.3	514.8	40.2	484.2	37.4	453.6	34.7	433.8	33.0
	57	52	540.2	39.4	530.1	38.4	514.8	37.1	484.2	34.6	453.6	32.2	433.8	30.6
	62	56	544.0	36.7	533.9	35.9	514.8	34.4	484.2	32.2	453.6	30.0	433.8	28.6
	67	61	546.4	34.3	536.2	33.6	514.8	32.1	484.2	30.1	453.6	28.1	433.8	26.8
	72	66	547.8	32.1	537.6	31.5	514.8	30.1	484.2	28.3	453.6	26.4	433.8	25.3
	75	69	548.4	30.9	538.2	30.4	514.8	29.0	484.2	27.3	453.6	25.5	433.8	24.4
	80	74	549.4	29.1	539.3	28.6	514.8	27.4	484.2	25.8	453.6	24.1	433.8	23.1
80%	-13	-14	294.2	36.1	293.5	37.1	292.8	38.1	292.0	39.2	291.3	40.3	290.8	41.1
	-8	-9	305.4	37.5	304.7	38.5	303.9	39.5	303.2	40.7	302.4	41.9	301.9	42.7
	-3	-4	324.1	39.5	323.3	40.6	322.5	41.7	321.7	42.9	320.9	44.2	320.3	45.0
	2	1	348.2	42.0	347.3	43.1	346.5	44.2	345.6	45.4	344.7	46.8	344.1	47.7
	7	6	375.8	44.5	374.9	45.6	374.0	46.8	373.0	48.1	372.0	49.5	370.3	50.3
	12	10	405.3	46.8	404.2	48.0	403.3	49.2	402.2	50.5	399.4	51.2	384.6	50.9
	17	15	435.1	48.8	434.0	50.0	432.9	51.2	424.1	51.7	402.6	50.5	385.6	49.3
	22	20	464.1	50.4	461.0	51.3	452.5	51.7	428.7	50.4	401.9	48.6	385.6	47.5
	27	24	488.5	51.1	479.5	51.4	453.9	49.9	425.9	48.0	398.1	46.1	385.6	45.5
	32	29	504.8	50.7	475.8	48.9	448.5	47.2	419.6	45.2	402.3	44.2	385.6	41.7
	37	34	497.5	47.7	467.6	45.9	439.5	44.1	423.2	42.6	403.2	39.7	385.6	37.5
	42	38	486.4	44.5	455.8	42.6	442.5	40.9	430.4	39.1	403.2	36.1	385.6	34.1
	47	43	471.8	40.6	459.5	39.0	451.1	37.9	430.4	35.7	403.2	33.0	385.6	31.3
	52	47	475.2	37.2	466.2	36.2	457.6	35.2	430.4	32.8	403.2	30.4	385.6	28.9
	57	52	480.2	34.5	471.2	33.7	457.6	32.5	430.4	30.3	403.2	28.2	385.6	26.8
	62	56	483.6	32.2	474.5	31.4	457.6	30.2	430.4	28.2	403.2	26.3	385.6	25.1
	67	61	485.7	30.0	476.7	29.4	457.6	28.1	430.4	26.4	403.2	24.6	385.6	23.5
	72	66	486.9	28.1	477.9	27.6	457.6	26.4	430.4	24.8	403.2	23.2	385.6	22.1
	75	69	487.5	27.1	478.4	26.6	457.6	25.4	430.4	23.9	403.2	22.4	385.6	21.4
	80	74	488.4	25.5	479.3	25.1	457.6	24.0	430.4	22.6	403.2	21.1	385.6	20.2

NOTE - Power Input = Compressor + Outdoor Fan Motor.  
MBH = 1000 BTUs per hour.

# HEATING CAPACITY - THREE MODULE | VRB480H4

Combination (%)	Outdoor Temperature (°F)		Indoor Temperature - °F Dry Bulb											
			61		64		67		70		73		75	
	Dry Bulb	Wet Bulb	Total Cap.	Power Input	Total Cap.	Power Input	Total Cap.	Power Input	Total Cap.	Power Input	Total Cap.	Power Input	Total Cap.	Power Input
			MBH	kW	MBH	kW	MBH	kW	MBH	kW	MBH	kW	MBH	kW
70%	-13	-14	293.1	35.4	292.3	36.4	291.6	37.4	290.9	38.5	290.1	39.6	289.6	40.4
	-8	-9	304.2	36.8	303.4	37.8	302.7	38.8	301.9	39.9	301.2	41.1	300.6	41.9
	-3	-4	322.8	38.8	322.0	39.9	321.2	40.9	320.4	42.1	319.6	43.3	319.0	44.2
	2	1	346.8	41.2	345.9	42.3	345.1	43.4	344.2	44.6	341.7	45.7	336.7	46.0
	7	6	374.3	43.6	373.4	44.8	372.5	45.9	367.6	46.7	352.8	46.3	337.4	45.2
	12	10	403.6	46.0	402.3	47.1	394.9	47.5	376.6	46.7	352.8	45.1	337.4	44.0
	17	15	430.0	47.6	422.1	48.0	400.4	46.8	376.6	45.3	352.8	43.6	337.4	42.6
	22	20	446.2	47.8	422.7	46.5	400.4	45.1	376.6	43.6	352.8	42.0	337.4	41.0
	27	24	443.9	45.8	419.5	44.4	400.4	43.4	376.6	41.9	352.8	40.3	337.4	39.2
	32	29	438.1	43.3	412.9	41.8	400.4	41.5	376.6	40.1	352.8	38.2	337.4	35.9
	37	34	428.7	40.5	402.8	38.9	400.4	39.6	376.6	37.4	352.8	34.3	337.4	32.4
	42	38	415.9	37.4	394.6	36.3	400.4	36.5	376.6	33.7	352.8	31.1	337.4	29.4
	47	43	410.0	34.7	402.1	33.7	400.4	33.1	376.6	30.8	352.8	28.5	337.4	27.0
	52	47	415.8	32.1	407.9	31.2	400.4	30.4	376.6	28.3	352.8	26.2	337.4	24.9
	57	52	420.2	29.8	412.3	29.0	400.4	28.0	376.6	26.2	352.8	24.3	337.4	23.1
	62	56	423.1	27.7	415.2	27.1	400.4	26.0	376.6	24.3	352.8	22.7	337.4	21.6
	67	61	425.0	25.9	417.1	25.4	400.4	24.3	376.6	22.8	352.8	21.2	337.4	20.3
	72	66	426.1	24.3	418.2	23.8	400.4	22.8	376.6	21.4	352.8	20.0	337.4	19.1
	75	69	426.5	23.4	418.6	22.9	400.4	21.9	376.6	20.6	352.8	19.3	337.4	18.4
	80	74	427.3	22.0	419.4	21.6	400.4	20.7	376.6	19.5	352.8	18.2	337.4	17.4
60%	-13	-14	291.9	34.8	291.1	35.7	290.4	36.7	289.7	37.8	288.9	38.9	284.6	39.2
	-8	-9	303.0	36.1	302.2	37.1	301.5	38.1	300.7	39.2	297.0	40.0	289.2	39.8
	-3	-4	321.5	38.1	320.7	39.1	319.9	40.2	316.4	41.0	302.4	40.5	289.2	39.5
	2	1	345.4	40.4	344.5	41.5	339.1	42.1	322.8	41.3	302.4	39.9	289.2	39.0
	7	6	370.4	42.6	362.4	42.9	343.2	41.8	322.8	40.5	302.4	39.1	289.2	38.2
	12	10	382.8	43.0	362.4	41.9	343.2	40.7	322.8	39.5	302.4	38.1	289.2	37.2
	17	15	382.8	41.8	362.4	40.7	343.2	39.5	322.8	38.2	302.4	36.9	289.2	36.0
	22	20	382.8	40.4	362.4	39.3	343.2	38.1	322.8	36.9	302.4	35.5	289.2	34.6
	27	24	382.8	38.9	362.4	37.8	343.2	36.7	322.8	35.4	302.4	34.1	289.2	33.2
	32	29	382.8	37.3	362.4	36.2	343.2	35.1	322.8	33.8	302.4	32.3	289.2	30.4
	37	34	382.8	35.7	362.4	34.6	343.2	33.5	322.8	31.6	302.4	29.0	289.2	27.3
	42	38	382.8	34.0	362.4	32.9	343.2	30.8	322.8	28.5	302.4	26.3	289.2	24.9
	47	43	382.8	32.1	362.4	30.0	343.2	28.0	322.8	26.0	302.4	24.0	289.2	22.8
	52	47	382.8	29.2	362.4	27.4	343.2	25.7	322.8	23.9	302.4	22.2	289.2	21.1
	57	52	382.8	26.8	362.4	25.2	343.2	23.7	322.8	22.1	302.4	20.6	289.2	19.6
	62	56	382.8	24.8	362.4	23.3	343.2	22.0	322.8	20.6	302.4	19.2	289.2	18.3
	67	61	382.8	23.0	362.4	21.7	343.2	20.5	322.8	19.2	302.4	17.9	289.2	17.1
	72	66	382.8	21.5	362.4	20.3	343.2	19.2	322.8	18.0	302.4	16.9	289.2	16.1
	75	69	382.8	20.7	362.4	19.6	343.2	18.5	322.8	17.4	302.4	16.3	289.2	15.6
	80	74	382.8	19.5	362.4	18.4	343.2	17.5	322.8	16.4	302.4	15.4	289.2	14.7
50%	-13	-14	290.7	34.2	289.5	35.1	284.2	35.4	269.0	34.6	252.0	33.5	241.0	32.7
	-8	-9	301.8	35.5	297.6	36.1	286.0	35.7	269.0	34.6	252.0	33.5	241.0	32.7
	-3	-4	316.0	37.0	302.0	36.4	286.0	35.5	269.0	34.4	252.0	33.3	241.0	32.5
	2	1	319.0	36.9	302.0	35.9	286.0	35.0	269.0	33.9	252.0	32.8	241.0	32.0
	7	6	319.0	36.2	302.0	35.3	286.0	34.3	269.0	33.3	252.0	32.1	241.0	31.4
	12	10	319.0	35.4	302.0	34.4	286.0	33.5	269.0	32.4	252.0	31.3	241.0	30.5
	17	15	319.0	34.4	302.0	33.4	286.0	32.5	269.0	31.4	252.0	30.3	241.0	29.5
	22	20	319.0	33.2	302.0	32.3	286.0	31.3	269.0	30.3	252.0	29.2	241.0	28.4
	27	24	319.0	32.0	302.0	31.1	286.0	30.1	269.0	29.1	252.0	28.0	241.0	27.2
	32	29	319.0	30.7	302.0	29.8	286.0	28.8	269.0	27.8	252.0	26.5	241.0	24.9
	37	34	319.0	29.3	302.0	28.4	286.0	27.5	269.0	25.9	252.0	23.8	241.0	22.5
	42	38	319.0	28.0	302.0	27.1	286.0	25.3	269.0	23.4	252.0	21.6	241.0	20.4
	47	43	319.0	26.4	302.0	24.6	286.0	23.0	269.0	21.4	252.0	19.8	241.0	18.7
	52	47	319.0	24.0	302.0	22.5	286.0	21.1	269.0	19.6	252.0	18.2	241.0	17.3
	57	52	319.0	22.0	302.0	20.7	286.0	19.5	269.0	18.2	252.0	16.9	241.0	16.1
	62	56	319.0	20.4	302.0	19.2	286.0	18.1	269.0	16.9	252.0	15.7	241.0	15.0
	67	61	319.0	18.9	302.0	17.9	286.0	16.9	269.0	15.8	252.0	14.7	241.0	14.1
	72	66	319.0	17.7	302.0	16.7	286.0	15.8	269.0	14.8	252.0	13.9	241.0	13.2
	75	69	319.0	17.0	302.0	16.1	286.0	15.2	269.0	14.3	252.0	13.4	241.0	12.8
	80	74	319.0	16.0	302.0	15.2	286.0	14.4	269.0	13.5	252.0	12.7	241.0	12.1

NOTE - Power Input = Compressor + Outdoor Fan Motor.  
MBH = 1000 BTUs per hour.



# COOLING CAPACITY - THREE MODULE | VRB504H4

Combination (%)	Outdoor Temperature °F (Dry Bulb)	Indoor Temperature - °F (Dry Bulb / Wet Bulb)											
		67 / 57		71 / 60		75 / 63		80 / 67		85 / 71		90 / 75	
		Total Cap.	Power Input	Total Cap.	Power Input	Total Cap.	Power Input	Total Cap.	Power Input	Total Cap.	Power Input	Total Cap.	Power Input
		MBH	kW	MBH	kW	MBH	kW	MBH	kW	MBH	kW	MBH	kW
130%	-10	377.1	16.4	458.2	20.1	534.6	23.7	639.6	28.9	749.4	34.7	854.4	40.5
	-5	377.1	17.4	458.2	21.4	534.6	25.2	639.6	30.8	749.4	36.8	815.3	41.1
	10	377.1	17.8	458.2	21.8	534.6	25.8	639.6	31.4	749.4	37.6	800.3	41.2
	15	377.1	18.2	458.2	22.3	534.6	26.3	639.6	32.1	749.4	38.5	784.9	41.3
	20	377.1	18.5	458.2	22.8	534.6	26.9	639.6	32.8	749.4	39.3	770.2	41.4
	25	377.1	19.0	458.2	23.3	534.6	27.5	639.6	33.6	749.4	40.2	755.3	41.5
	30	377.1	19.4	458.2	23.9	534.6	28.2	639.6	34.3	731.6	40.2	741.4	41.7
	35	377.1	19.9	458.2	24.4	534.6	28.9	639.6	35.2	718.6	40.4	728.4	41.9
	40	377.1	20.4	458.2	25.0	534.6	29.6	639.6	36.0	711.6	41.0	721.4	42.6
	45	377.1	20.9	458.2	25.7	534.6	30.3	639.6	36.9	710.6	42.0	720.5	43.6
	50	377.1	21.4	458.2	26.3	534.6	31.1	639.6	37.9	710.3	43.0	720.1	44.7
	55	377.1	22.0	458.2	27.0	534.6	31.9	639.6	38.9	710.2	44.1	720.0	45.8
	60	377.1	22.6	458.2	27.8	534.6	32.8	639.6	39.9	712.3	45.5	719.8	47.1
	65	377.1	23.2	458.2	28.5	534.6	33.7	639.6	41.1	705.4	46.3	718.9	48.3
	70	377.1	25.3	458.2	31.0	534.6	36.6	639.6	44.7	703.3	50.2	716.8	52.4
	75	377.1	27.7	458.2	34.1	534.6	40.2	639.6	49.0	699.2	54.8	712.6	57.2
	80	377.1	30.4	458.2	37.4	534.6	44.2	639.6	53.8	692.3	59.6	705.6	62.2
	85	377.1	33.4	458.2	41.0	534.6	48.5	639.6	59.1	681.7	64.4	694.8	67.2
	90	377.1	36.6	458.2	45.0	534.6	53.1	639.6	64.7	666.3	68.9	679.1	71.9
	95	377.1	40.0	458.2	49.1	534.6	58.0	600.5	66.4	625.2	70.6	635.3	73.5
100	377.1	43.4	458.2	53.4	534.6	63.0	585.6	70.4	595.7	73.2	607.1	76.4	
105	377.1	46.9	458.2	57.6	520.9	66.3	543.7	70.5	559.9	74.2	570.6	77.5	
110	377.1	50.2	458.2	61.7	480.9	65.5	499.4	69.3	514.3	73.0	524.2	76.2	
115	377.1	53.1	413.4	58.9	427.8	61.7	444.3	65.2	457.5	68.7	466.2	71.7	
118	352.2	51.0	376.6	55.2	389.7	57.8	404.7	61.1	416.7	64.3	424.7	67.2	
125	262.7	39.7	274.2	41.9	283.8	43.9	294.7	46.4	303.4	48.9	309.3	51.0	
120%	-10	348.1	14.9	423.0	18.3	493.5	21.6	590.4	26.3	691.7	31.5	788.7	36.8
	-5	348.1	15.8	423.0	19.4	493.5	22.9	590.4	28.0	691.7	33.5	788.7	39.1
	10	348.1	16.1	423.0	19.8	493.5	23.4	590.4	28.6	691.7	34.2	786.6	39.8
	15	348.1	16.5	423.0	20.3	493.5	23.9	590.4	29.2	691.7	35.0	771.3	39.9
	20	348.1	16.9	423.0	20.7	493.5	24.5	590.4	29.8	691.7	35.7	756.6	40.0
	25	348.1	17.2	423.0	21.2	493.5	25.0	590.4	30.5	691.7	36.5	741.9	40.1
	30	348.1	17.6	423.0	21.7	493.5	25.6	590.4	31.2	691.7	37.4	728.1	40.3
	35	348.1	18.1	423.0	22.2	493.5	26.2	590.4	32.0	691.7	38.3	715.1	40.5
	40	348.1	18.5	423.0	22.8	493.5	26.9	590.4	32.7	691.7	39.2	707.8	41.1
	45	348.1	19.0	423.0	23.3	493.5	27.5	590.4	33.6	691.7	40.2	706.9	42.1
	50	348.1	19.5	423.0	23.9	493.5	28.3	590.4	34.4	691.7	41.2	706.5	43.1
	55	348.1	20.0	423.0	24.6	493.5	29.0	590.4	35.3	691.7	42.3	706.4	44.3
	60	348.1	20.5	423.0	25.2	493.5	29.8	590.4	36.3	691.7	43.5	706.2	45.5
	65	348.1	21.1	423.0	25.9	493.5	30.6	590.4	37.3	691.7	44.7	705.4	46.7
	70	348.1	22.9	423.0	28.2	493.5	33.3	590.4	40.6	690.0	48.5	703.3	50.6
	75	348.1	25.2	423.0	31.0	493.5	36.6	590.4	44.6	686.0	52.9	699.2	55.3
	80	348.1	27.7	423.0	34.0	493.5	40.1	590.4	48.9	679.3	57.5	692.3	60.1
	85	348.1	30.3	423.0	37.3	493.5	44.0	590.4	53.7	668.8	62.2	681.7	64.9
	90	348.1	33.2	423.0	40.9	493.5	48.3	590.4	58.8	653.7	66.6	666.3	69.5
	95	348.1	36.3	423.0	44.6	493.5	52.7	590.4	64.2	625.2	69.5	635.3	72.4
100	348.1	39.5	423.0	48.5	493.5	57.3	571.7	67.6	595.7	72.0	607.1	75.2	
105	348.1	42.6	423.0	52.4	493.5	61.9	543.7	69.4	559.9	73.1	570.6	76.3	
110	348.1	45.6	423.0	56.1	469.5	63.0	499.4	68.3	514.3	71.9	524.2	75.0	
115	348.1	48.3	403.6	56.6	427.8	60.7	444.3	64.2	457.5	67.6	466.2	70.6	
118	348.1	49.6	376.6	54.3	389.7	56.9	404.7	60.2	416.7	63.3	424.7	66.1	
125	262.7	39.1	274.2	41.2	283.8	43.2	294.7	45.7	303.4	48.1	309.3	50.2	

NOTE - Power Input = Compressor + Outdoor Fan Motor.  
 MBH = 1000 BTUs per hour.

# COOLING CAPACITY - THREE MODULE | VRB504H4

Combination (%)	Outdoor Temperature °F (Dry Bulb)	Indoor Temperature - °F (Dry Bulb / Wet Bulb)											
		67 / 57		71 / 60		75 / 63		80 / 67		85 / 71		90 / 75	
		Total Cap.	Power Input	Total Cap.	Power Input	Total Cap.	Power Input	Total Cap.	Power Input	Total Cap.	Power Input	Total Cap.	Power Input
		MBH	KW	MBH	KW	MBH	KW	MBH	KW	MBH	KW	MBH	KW
110%	-10	319.1	13.4	387.7	16.5	452.3	19.5	541.2	23.7	634.1	28.4	722.9	33.2
	-5	319.1	14.3	387.7	17.5	452.3	20.7	541.2	25.2	634.1	30.2	722.9	35.3
	10	319.1	14.6	387.7	17.9	452.3	21.1	541.2	25.8	634.1	30.9	722.9	36.1
	15	319.1	14.9	387.7	18.3	452.3	21.6	541.2	26.3	634.1	31.6	722.9	36.8
	20	319.1	15.2	387.7	18.7	452.3	22.1	541.2	26.9	634.1	32.2	722.9	37.6
	25	319.1	15.6	387.7	19.1	452.3	22.6	541.2	27.5	634.1	33.0	722.9	38.5
	30	319.1	15.9	387.7	19.6	452.3	23.1	541.2	28.2	634.1	33.8	714.7	39.0
	35	319.1	16.3	387.7	20.0	452.3	23.7	541.2	28.9	634.1	34.6	701.7	39.2
	40	319.1	16.7	387.7	20.5	452.3	24.3	541.2	29.6	634.1	35.4	694.2	39.7
	45	319.1	17.1	387.7	21.1	452.3	24.9	541.2	30.3	634.1	36.3	693.3	40.6
	50	319.1	17.6	387.7	21.6	452.3	25.5	541.2	31.1	634.1	37.2	692.9	41.7
	55	319.1	18.0	387.7	22.2	452.3	26.2	541.2	31.9	634.1	38.2	692.9	42.8
	60	319.1	18.5	387.7	22.8	452.3	26.9	541.2	32.8	634.1	39.3	692.6	43.9
	65	319.1	19.0	387.7	23.4	452.3	27.6	541.2	33.7	634.1	40.4	691.8	45.1
	70	319.1	20.7	387.7	25.5	452.3	30.1	541.2	36.6	634.1	43.9	689.7	48.9
	75	319.1	22.7	387.7	27.9	452.3	33.0	541.2	40.2	634.1	48.2	685.7	53.4
	80	319.1	25.0	387.7	30.7	452.3	36.2	541.2	44.2	634.1	52.9	679.0	58.0
	85	319.1	27.4	387.7	33.7	452.3	39.8	541.2	48.5	634.1	58.1	668.6	62.7
	90	319.1	30.0	387.7	36.9	452.3	43.6	541.2	53.1	634.1	63.6	653.5	67.1
	95	319.1	32.8	387.7	40.3	452.3	47.6	541.2	58.0	610.3	66.9	635.3	71.3
	100	319.1	35.6	387.7	43.8	452.3	51.7	541.2	63.0	595.7	70.9	607.1	74.0
105	319.1	38.5	387.7	47.3	452.3	55.8	530.8	66.7	559.9	72.0	570.6	75.1	
110	319.1	41.2	387.7	50.6	452.3	59.8	499.4	67.2	514.3	70.8	524.2	73.9	
115	319.1	43.6	387.7	53.5	417.6	58.4	444.3	63.3	457.5	66.6	466.2	69.5	
118	319.1	44.8	367.7	52.2	389.7	56.0	404.7	59.2	416.7	62.4	424.7	65.1	
125	262.7	38.5	274.2	40.6	283.8	42.5	294.7	45.0	303.4	47.4	309.3	49.5	
100%	-10	290.1	12.0	352.5	14.8	411.2	17.4	492.0	21.3	576.4	25.5	657.2	29.7
	-5	290.1	12.8	352.5	15.7	411.2	18.5	492.0	22.6	576.4	27.1	657.2	31.6
	10	290.1	13.0	352.5	16.0	411.2	18.9	492.0	23.1	576.4	27.6	657.2	32.3
	15	290.1	13.3	352.5	16.4	411.2	19.4	492.0	23.6	576.4	28.3	657.2	33.0
	20	290.1	13.6	352.5	16.7	411.2	19.8	492.0	24.1	576.4	28.9	657.2	33.7
	25	290.1	13.9	352.5	17.1	411.2	20.2	492.0	24.7	576.4	29.5	657.2	34.5
	30	290.1	14.3	352.5	17.5	411.2	20.7	492.0	25.2	576.4	30.2	657.2	35.3
	35	290.1	14.6	352.5	18.0	411.2	21.2	492.0	25.8	576.4	30.9	657.2	36.1
	40	290.1	15.0	352.5	18.4	411.2	21.7	492.0	26.5	576.4	31.7	657.2	37.0
	45	290.1	15.3	352.5	18.9	411.2	22.3	492.0	27.1	576.4	32.5	657.2	38.0
	50	290.1	15.7	352.5	19.3	411.2	22.8	492.0	27.8	576.4	33.3	657.2	38.9
	55	290.1	16.2	352.5	19.9	411.2	23.4	492.0	28.6	576.4	34.2	657.2	40.0
	60	290.1	16.6	352.5	20.4	411.2	24.1	492.0	29.3	576.4	35.2	657.2	41.0
	65	290.1	17.1	352.5	21.0	411.2	24.7	492.0	30.2	576.4	36.1	657.2	42.2
	70	290.1	18.6	352.5	22.8	411.2	26.9	492.0	32.8	576.4	39.3	657.2	45.9
	75	290.1	20.4	352.5	25.0	411.2	29.6	492.0	36.0	576.4	43.1	657.2	50.4
	80	290.1	22.4	352.5	27.5	411.2	32.4	492.0	39.5	576.4	47.4	657.2	55.3
	85	290.1	24.5	352.5	30.2	411.2	35.6	492.0	43.4	576.4	52.0	655.5	60.5
	90	290.1	26.9	352.5	33.0	411.2	39.0	492.0	47.5	576.4	56.9	640.6	64.8
	95	290.1	29.4	352.5	36.1	411.2	42.6	<b>492.0</b>	<b>51.9</b>	576.4	62.2	620.1	68.5
	100	290.1	31.9	352.5	39.2	411.2	46.3	492.0	56.4	576.4	67.6	607.1	72.9
105	290.1	34.5	352.5	42.3	411.2	50.0	492.0	60.9	546.5	69.2	570.6	74.0	
110	290.1	36.9	352.5	45.3	411.2	53.5	487.6	64.6	514.3	69.7	524.2	72.8	
115	290.1	39.0	352.5	47.9	411.2	56.6	444.3	62.3	457.5	65.6	466.2	68.5	
118	290.1	40.1	352.5	49.3	380.4	53.8	404.7	58.4	416.7	61.4	424.7	64.1	
125	262.7	37.9	274.2	40.0	283.8	41.9	294.7	44.3	303.4	46.7	309.3	48.7	

NOTE - Power Input = Compressor + Outdoor Fan Motor.  
MBH = 1000 BTUs per hour.

# COOLING CAPACITY - THREE MODULE | VRB504H4

Combination (%)	Outdoor Temperature °F (Dry Bulb)	Indoor Temperature - °F (Dry Bulb / Wet Bulb)											
		67 / 57		71 / 60		75 / 63		80 / 67		85 / 71		90 / 75	
		Total Cap.	Power Input	Total Cap.	Power Input	Total Cap.	Power Input	Total Cap.	Power Input	Total Cap.	Power Input	Total Cap.	Power Input
		MBH	kW	MBH	kW	MBH	kW	MBH	kW	MBH	kW	MBH	kW
90%	-10	261.1	10.7	317.2	13.1	370.1	15.5	442.8	18.9	518.8	22.6	591.5	26.4
	-5	261.1	11.3	317.2	13.9	370.1	16.4	442.8	20.0	518.8	24.0	591.5	28.0
	10	261.1	11.6	317.2	14.2	370.1	16.8	442.8	20.5	518.8	24.5	591.5	28.6
	15	261.1	11.8	317.2	14.5	370.1	17.2	442.8	20.9	518.8	25.1	591.5	29.3
	20	261.1	12.1	317.2	14.8	370.1	17.5	442.8	21.4	518.8	25.6	591.5	29.9
	25	261.1	12.4	317.2	15.2	370.1	17.9	442.8	21.9	518.8	26.2	591.5	30.6
	30	261.1	12.6	317.2	15.5	370.1	18.4	442.8	22.4	518.8	26.8	591.5	31.3
	35	261.1	13.0	317.2	15.9	370.1	18.8	442.8	22.9	518.8	27.4	591.5	32.0
	40	261.1	13.3	317.2	16.3	370.1	19.3	442.8	23.5	518.8	28.1	591.5	32.8
	45	261.1	13.6	317.2	16.7	370.1	19.7	442.8	24.1	518.8	28.8	591.5	33.7
	50	261.1	14.0	317.2	17.1	370.1	20.2	442.8	24.7	518.8	29.6	591.5	34.5
	55	261.1	14.3	317.2	17.6	370.1	20.8	442.8	25.3	518.8	30.3	591.5	35.4
	60	261.1	14.7	317.2	18.1	370.1	21.3	442.8	26.0	518.8	31.2	591.5	36.4
	65	261.1	15.1	317.2	18.6	370.1	21.9	442.8	26.7	518.8	32.0	591.5	37.4
	70	261.1	16.4	317.2	20.2	370.1	23.9	442.8	29.1	518.8	34.9	591.5	40.7
	75	261.1	18.1	317.2	22.2	370.1	26.2	442.8	31.9	518.8	38.3	591.5	44.7
	80	261.1	19.8	317.2	24.4	370.1	28.8	442.8	35.1	518.8	42.0	591.5	49.0
	85	261.1	21.8	317.2	26.7	370.1	31.6	442.8	38.5	518.8	46.1	591.5	53.8
	90	261.1	23.8	317.2	29.3	370.1	34.6	442.8	42.2	518.8	50.5	591.5	59.0
	80%	95	261.1	26.0	317.2	32.0	370.1	37.8	442.8	46.0	518.8	55.2	591.5
100		261.1	28.3	317.2	34.8	370.1	41.1	442.8	50.1	518.8	60.0	591.5	70.0
105		261.1	30.6	317.2	37.6	370.1	44.3	442.8	54.0	518.8	64.7	557.0	71.2
110		261.1	32.7	317.2	40.2	370.1	47.4	442.8	57.8	502.0	67.0	524.2	71.7
115		261.1	34.6	317.2	42.5	370.1	50.2	433.7	59.9	457.5	64.6	466.2	67.5
118		261.1	35.6	317.2	43.7	370.1	51.6	404.7	57.5	416.7	60.5	424.7	63.2
125		256.4	36.4	274.2	39.4	283.8	41.3	294.7	43.7	303.4	46.0	309.3	48.0
-10		232.0	9.3	282.0	11.5	329.0	13.5	393.6	16.5	461.2	19.8	525.8	23.1
-5		232.0	9.9	282.0	12.2	329.0	14.4	393.6	17.5	461.2	21.0	525.8	24.5
10		232.0	10.1	282.0	12.5	329.0	14.7	393.6	17.9	461.2	21.5	525.8	25.1
15		232.0	10.4	282.0	12.7	329.0	15.0	393.6	18.3	461.2	21.9	525.8	25.6
20		232.0	10.6	282.0	13.0	329.0	15.4	393.6	18.7	461.2	22.4	525.8	26.2
25		232.0	10.8	282.0	13.3	329.0	15.7	393.6	19.2	461.2	22.9	525.8	26.8
30		232.0	11.1	282.0	13.6	329.0	16.1	393.6	19.6	461.2	23.5	525.8	27.4
35		232.0	11.3	282.0	13.9	329.0	16.5	393.6	20.1	461.2	24.0	525.8	28.1
40		232.0	11.6	282.0	14.3	329.0	16.9	393.6	20.6	461.2	24.6	525.8	28.8
45		232.0	11.9	282.0	14.6	329.0	17.3	393.6	21.1	461.2	25.2	525.8	29.5
50		232.0	12.2	282.0	15.0	329.0	17.7	393.6	21.6	461.2	25.9	525.8	30.2
55		232.0	12.5	282.0	15.4	329.0	18.2	393.6	22.2	461.2	26.6	525.8	31.0
60		232.0	12.9	282.0	15.8	329.0	18.7	393.6	22.8	461.2	27.3	525.8	31.9
65	232.0	13.2	282.0	16.3	329.0	19.2	393.6	23.4	461.2	28.1	525.8	32.8	
70	232.0	14.4	282.0	17.7	329.0	20.9	393.6	25.5	461.2	30.5	525.8	35.6	
75	232.0	15.8	282.0	19.4	329.0	23.0	393.6	28.0	461.2	33.5	525.8	39.1	
80	232.0	17.4	282.0	21.3	329.0	25.2	393.6	30.7	461.2	36.8	525.8	43.0	
85	232.0	19.1	282.0	23.4	329.0	27.7	393.6	33.7	461.2	40.4	525.8	47.1	
90	232.0	20.9	282.0	25.7	329.0	30.3	393.6	36.9	461.2	44.2	525.8	51.7	
95	232.0	22.8	282.0	28.0	329.0	33.1	393.6	40.3	461.2	48.3	525.8	56.4	
100	232.0	24.8	282.0	30.5	329.0	36.0	393.6	43.8	461.2	52.5	525.8	61.3	
105	232.0	26.8	282.0	32.9	329.0	38.8	393.6	47.3	461.2	56.7	525.8	66.2	
110	232.0	28.6	282.0	35.2	329.0	41.6	393.6	50.7	461.2	60.7	511.7	69.0	
115	232.0	30.3	282.0	37.2	329.0	44.0	393.6	53.6	446.6	62.2	466.2	66.5	
118	232.0	31.2	282.0	38.3	329.0	45.2	393.6	55.1	416.7	59.6	424.7	62.3	
125	232.0	32.5	267.7	37.9	283.8	40.7	294.7	43.0	303.4	45.3	309.3	47.3	

NOTE - Power Input = Compressor + Outdoor Fan Motor.  
 MBH = 1000 BTUs per hour.

# COOLING CAPACITY - THREE MODULE | VRB504H4

Combination (%)	Outdoor Temperature °F (Dry Bulb)	Indoor Temperature - °F (Dry Bulb / Wet Bulb)											
		67 / 57		71 / 60		75 / 63		80 / 67		85 / 71		90 / 75	
		Total Cap.	Power Input	Total Cap.	Power Input	Total Cap.	Power Input	Total Cap.	Power Input	Total Cap.	Power Input	Total Cap.	Power Input
		MBH	KW	MBH	KW	MBH	KW	MBH	KW	MBH	KW	MBH	KW
70%	-10	203.0	8.1	246.7	9.9	287.9	11.7	344.4	14.2	403.5	17.1	460.1	19.9
	-5	203.0	8.6	246.7	10.5	287.9	12.4	344.4	15.1	403.5	18.1	460.1	21.2
	10	203.0	8.7	246.7	10.7	287.9	12.7	344.4	15.5	403.5	18.5	460.1	21.6
	15	203.0	8.9	246.7	11.0	287.9	13.0	344.4	15.8	403.5	18.9	460.1	22.1
	20	203.0	9.1	246.7	11.2	287.9	13.2	344.4	16.1	403.5	19.3	460.1	22.6
	25	203.0	9.3	246.7	11.5	287.9	13.6	344.4	16.5	403.5	19.8	460.1	23.1
	30	203.0	9.6	246.7	11.7	287.9	13.9	344.4	16.9	403.5	20.2	460.1	23.6
	35	203.0	9.8	246.7	12.0	287.9	14.2	344.4	17.3	403.5	20.7	460.1	24.2
	40	203.0	10.0	246.7	12.3	287.9	14.5	344.4	17.7	403.5	21.2	460.1	24.8
	45	203.0	10.3	246.7	12.6	287.9	14.9	344.4	18.2	403.5	21.8	460.1	25.4
	50	203.0	10.5	246.7	13.0	287.9	15.3	344.4	18.6	403.5	22.3	460.1	26.1
	55	203.0	10.8	246.7	13.3	287.9	15.7	344.4	19.1	403.5	22.9	460.1	26.8
	60	203.0	11.1	246.7	13.7	287.9	16.1	344.4	19.7	403.5	23.5	460.1	27.5
	65	203.0	11.4	246.7	14.0	287.9	16.6	344.4	20.2	403.5	24.2	460.1	28.3
	70	203.0	12.4	246.7	15.3	287.9	18.0	344.4	22.0	403.5	26.3	460.1	30.7
	75	203.0	13.6	246.7	16.8	287.9	19.8	344.4	24.1	403.5	28.9	460.1	33.7
	80	203.0	15.0	246.7	18.4	287.9	21.7	344.4	26.5	403.5	31.7	460.1	37.1
	85	203.0	16.4	246.7	20.2	287.9	23.8	344.4	29.1	403.5	34.8	460.1	40.7
	90	203.0	18.0	246.7	22.1	287.9	26.1	344.4	31.8	403.5	38.1	460.1	44.5
	95	203.0	19.7	246.7	24.2	287.9	28.5	344.4	34.8	403.5	41.7	460.1	48.7
100	203.0	21.4	246.7	26.3	287.9	31.0	344.4	37.8	403.5	45.3	460.1	52.9	
105	203.0	23.1	246.7	28.4	287.9	33.5	344.4	40.8	403.5	48.9	460.1	57.1	
110	203.0	24.7	246.7	30.4	287.9	35.8	344.4	43.7	403.5	52.3	460.1	61.1	
115	203.0	26.1	246.7	32.1	287.9	37.9	344.4	46.2	403.5	55.4	455.1	64.0	
118	203.0	26.9	246.7	33.0	287.9	39.0	344.4	47.5	403.5	56.9	424.7	61.4	
125	203.0	28.0	246.7	34.4	277.0	39.1	294.7	42.4	303.4	44.7	309.3	46.6	
60%	-10	174.0	6.8	211.5	8.4	246.7	9.9	295.2	12.0	345.9	14.4	394.3	16.8
	-5	174.0	7.2	211.5	8.9	246.7	10.5	295.2	12.8	345.9	15.3	394.3	17.9
	10	174.0	7.4	211.5	9.1	246.7	10.7	295.2	13.1	345.9	15.6	394.3	18.3
	15	174.0	7.5	211.5	9.3	246.7	11.0	295.2	13.4	345.9	16.0	394.3	18.7
	20	174.0	7.7	211.5	9.5	246.7	11.2	295.2	13.6	345.9	16.3	394.3	19.1
	25	174.0	7.9	211.5	9.7	246.7	11.5	295.2	14.0	345.9	16.7	394.3	19.5
	30	174.0	8.1	211.5	9.9	246.7	11.7	295.2	14.3	345.9	17.1	394.3	20.0
	35	174.0	8.3	211.5	10.2	246.7	12.0	295.2	14.6	345.9	17.5	394.3	20.5
	40	174.0	8.5	211.5	10.4	246.7	12.3	295.2	15.0	345.9	17.9	394.3	21.0
	45	174.0	8.7	211.5	10.7	246.7	12.6	295.2	15.4	345.9	18.4	394.3	21.5
	50	174.0	8.9	211.5	10.9	246.7	12.9	295.2	15.8	345.9	18.9	394.3	22.0
	55	174.0	9.1	211.5	11.2	246.7	13.3	295.2	16.2	345.9	19.4	394.3	22.6
	60	174.0	9.4	211.5	11.5	246.7	13.6	295.2	16.6	345.9	19.9	394.3	23.2
	65	174.0	9.7	211.5	11.9	246.7	14.0	295.2	17.1	345.9	20.5	394.3	23.9
	70	174.0	10.5	211.5	12.9	246.7	15.2	295.2	18.6	345.9	22.2	394.3	26.0
	75	174.0	11.5	211.5	14.2	246.7	16.7	295.2	20.4	345.9	24.4	394.3	28.5
	80	174.0	12.7	211.5	15.6	246.7	18.4	295.2	22.4	345.9	26.8	394.3	31.3
	85	174.0	13.9	211.5	17.1	246.7	20.2	295.2	24.6	345.9	29.4	394.3	34.4
	90	174.0	15.2	211.5	18.7	246.7	22.1	295.2	26.9	345.9	32.2	394.3	37.6
	95	174.0	16.6	211.5	20.4	246.7	24.1	295.2	29.4	345.9	35.2	394.3	41.1
100	174.0	18.1	211.5	22.2	246.7	26.2	295.2	32.0	345.9	38.3	394.3	44.7	
105	174.0	19.5	211.5	24.0	246.7	28.3	295.2	34.5	345.9	41.3	394.3	48.3	
110	174.0	20.9	211.5	25.7	246.7	30.3	295.2	36.9	345.9	44.2	394.3	51.6	
115	174.0	22.1	211.5	27.1	246.7	32.0	295.2	39.1	345.9	46.8	394.3	54.6	
118	174.0	22.7	211.5	27.9	246.7	32.9	295.2	40.2	345.9	48.1	394.3	56.2	
125	174.0	23.7	211.5	29.1	246.7	34.4	287.7	40.8	303.4	44.0	309.3	46.0	

NOTE - Power Input = Compressor + Outdoor Fan Motor.  
 MBH = 1000 BTUs per hour.

## COOLING CAPACITY - THREE MODULE | VRB504H4

Combination (%)	Outdoor Temperature °F (Dry Bulb)	Indoor Temperature - °F (Dry Bulb / Wet Bulb)											
		67 / 57		71 / 60		75 / 63		80 / 67		85 / 71		90 / 75	
		Total Cap.	Power Input	Total Cap.	Power Input	Total Cap.	Power Input	Total Cap.	Power Input	Total Cap.	Power Input	Total Cap.	Power Input
		MBH	kW	MBH	kW	MBH	kW	MBH	kW	MBH	kW	MBH	kW
50%	-10	139.7	5.4	176.2	6.9	205.6	8.1	246.0	9.9	288.2	11.8	328.6	13.8
	-5	145.0	5.9	176.2	7.3	205.6	8.6	246.0	10.5	288.2	12.6	328.6	14.7
	10	145.0	6.1	176.2	7.5	205.6	8.8	246.0	10.7	288.2	12.9	328.6	15.0
	15	145.0	6.2	176.2	7.6	205.6	9.0	246.0	11.0	288.2	13.1	328.6	15.3
	20	145.0	6.3	176.2	7.8	205.6	9.2	246.0	11.2	288.2	13.4	328.6	15.7
	25	145.0	6.5	176.2	8.0	205.6	9.4	246.0	11.5	288.2	13.7	328.6	16.0
	30	145.0	6.6	176.2	8.2	205.6	9.6	246.0	11.7	288.2	14.1	328.6	16.4
	35	145.0	6.8	176.2	8.3	205.6	9.9	246.0	12.0	288.2	14.4	328.6	16.8
	40	145.0	7.0	176.2	8.6	205.6	10.1	246.0	12.3	288.2	14.7	328.6	17.2
	45	145.0	7.1	176.2	8.8	205.6	10.4	246.0	12.6	288.2	15.1	328.6	17.7
	50	145.0	7.3	176.2	9.0	205.6	10.6	246.0	12.9	288.2	15.5	328.6	18.1
	55	145.0	7.5	176.2	9.2	205.6	10.9	246.0	13.3	288.2	15.9	328.6	18.6
	60	145.0	7.7	176.2	9.5	205.6	11.2	246.0	13.6	288.2	16.4	328.6	19.1
	65	145.0	7.9	176.2	9.7	205.6	11.5	246.0	14.0	288.2	16.8	328.6	19.6
	70	145.0	8.6	176.2	10.6	205.6	12.5	246.0	15.3	288.2	18.3	328.6	21.3
	75	145.0	9.5	176.2	11.6	205.6	13.7	246.0	16.8	288.2	20.1	328.6	23.4
	80	145.0	10.4	176.2	12.8	205.6	15.1	246.0	18.4	288.2	22.0	328.6	25.7
	85	145.0	11.4	176.2	14.0	205.6	16.6	246.0	20.2	288.2	24.2	328.6	28.2
	90	145.0	12.5	176.2	15.4	205.6	18.1	246.0	22.1	288.2	26.5	328.6	30.9
	95	145.0	13.7	176.2	16.8	205.6	19.8	246.0	24.2	288.2	28.9	328.6	33.8
100	145.0	14.8	176.2	18.2	205.6	21.5	246.0	26.3	288.2	31.4	328.6	36.7	
105	145.0	16.0	176.2	19.7	205.6	23.3	246.0	28.3	288.2	34.0	328.6	39.7	
110	145.0	17.1	176.2	21.1	205.6	24.9	246.0	30.3	288.2	36.3	328.6	42.4	
115	145.0	18.1	176.2	22.3	205.6	26.3	246.0	32.1	288.2	38.4	328.6	44.9	
118	145.0	18.7	176.2	22.9	205.6	27.1	246.0	33.0	288.2	39.5	328.6	46.2	
125	145.0	19.5	176.2	23.9	205.6	28.2	246.0	34.4	288.2	41.2	309.3	45.3	

NOTE - Power Input = Compressor + Outdoor Fan Motor.  
 MBH = 1000 BTUs per hour.

# HEATING CAPACITY - THREE MODULE | VRB504H4

Combination (%)	Outdoor Temperature (°F)		Indoor Temperature - °F Dry Bulb											
			61		64		67		70		73		75	
	Total Cap.	Power Input	Total Cap.	Power Input	Total Cap.	Power Input	Total Cap.	Power Input	Total Cap.	Power Input	Total Cap.	Power Input	Total Cap.	Power Input
	Dry Bulb	Wet Bulb	MBH	kW	MBH	kW	MBH	kW	MBH	kW	MBH	kW	MBH	kW
130%	-13	-14	301.0	41.9	300.2	43.0	299.5	44.1	298.7	45.4	297.9	46.8	297.4	47.7
	-8	-9	313.4	43.6	312.6	44.8	311.8	46.0	311.0	47.3	310.2	48.7	309.7	49.7
	-3	-4	332.6	46.0	331.7	47.2	330.9	48.5	330.1	49.9	329.2	51.3	328.7	52.4
	2	1	356.7	48.7	355.8	50.0	355.0	51.3	354.1	52.8	353.2	54.3	352.6	55.4
	7	6	384.2	51.5	383.2	52.9	382.3	54.2	381.3	55.7	380.4	57.3	379.7	58.4
	12	10	413.5	54.2	412.5	55.5	411.5	56.9	410.4	58.4	409.3	60.1	408.7	61.2
	17	15	443.3	56.4	442.2	57.8	441.1	59.2	440.0	60.7	438.8	62.4	438.1	63.5
	22	20	472.5	58.1	471.3	59.5	470.1	60.9	468.9	62.4	467.7	64.0	467.0	65.1
	27	24	500.1	59.3	498.9	60.6	497.7	61.9	496.4	63.4	495.1	65.0	494.3	66.0
	32	29	525.5	59.7	524.2	61.0	522.9	62.3	521.6	63.7	520.5	64.7	519.4	63.5
	37	34	548.0	59.6	546.6	60.8	545.3	62.0	544.2	62.0	543.1	60.6	542.0	59.7
	42	38	567.3	58.8	566.2	60.0	565.1	59.1	564.0	58.0	562.9	57.0	561.8	56.3
	47	43	602.0	58.8	600.9	57.9	599.8	57.0	598.7	56.2	597.6	55.4	596.5	54.8
	52	47	662.4	58.9	661.3	58.2	660.2	57.5	659.1	56.8	658.0	56.2	641.2	54.4
	57	52	720.9	58.8	719.8	58.3	718.7	57.8	715.7	57.1	670.5	53.1	641.2	50.5
	62	56	777.2	58.6	776.1	58.2	761.0	56.8	715.7	53.1	670.5	49.5	641.2	47.2
	67	61	831.3	58.3	803.5	56.1	761.0	53.0	715.7	49.7	670.5	46.4	641.2	44.2
	72	66	848.8	55.6	803.5	52.5	761.0	49.7	715.7	46.6	670.5	43.6	641.2	41.6
	75	69	848.8	53.5	803.5	50.6	761.0	47.9	715.7	45.0	670.5	42.1	641.2	40.2
	80	74	848.8	50.3	803.5	47.6	761.0	45.1	715.7	42.5	670.5	39.8	641.2	38.1
120%	-13	-14	299.8	41.1	299.0	42.2	298.3	43.3	297.5	44.5	296.8	45.9	296.3	46.8
	-8	-9	312.1	42.8	311.3	43.9	310.6	45.1	309.8	46.4	309.0	47.8	308.5	48.7
	-3	-4	331.3	45.1	330.4	46.3	329.6	47.5	328.8	48.9	327.9	50.4	327.4	51.3
	2	1	355.3	47.8	354.4	49.1	353.6	50.3	352.7	51.8	351.8	53.3	351.2	54.3
	7	6	382.7	50.5	381.7	51.9	380.8	53.2	379.8	54.6	378.9	56.2	378.2	57.3
	12	10	411.9	53.1	410.8	54.5	409.8	55.8	408.8	57.3	407.7	58.9	407.0	60.0
	17	15	441.6	55.3	440.4	56.7	439.4	58.0	438.2	59.5	437.1	61.1	436.4	62.2
	22	20	470.6	57.0	469.4	58.4	468.3	59.7	467.1	61.2	465.9	62.8	465.1	63.8
	27	24	498.2	58.1	496.9	59.4	495.7	60.7	494.4	62.2	493.1	63.7	492.3	64.8
	32	29	523.4	58.6	522.1	59.8	520.8	61.1	519.5	62.5	518.4	63.4	517.3	62.3
	37	34	545.9	58.4	544.5	59.6	543.1	60.8	542.0	60.8	540.9	59.4	539.8	58.5
	42	38	565.1	57.7	564.0	58.8	562.9	58.0	561.8	56.9	560.7	55.9	559.6	55.2
	47	43	602.0	57.8	600.9	57.0	599.8	56.2	598.7	55.3	597.6	54.5	591.9	53.5
	52	47	662.4	58.0	661.3	57.3	660.2	56.6	659.1	56.0	618.9	52.0	591.9	49.4
	57	52	720.9	57.9	719.8	57.4	702.4	55.6	660.7	51.9	618.9	48.3	591.9	45.9
	62	56	777.2	57.7	741.7	54.8	702.4	51.6	660.7	48.3	618.9	45.0	591.9	42.9
	67	61	783.5	54.1	741.7	51.0	702.4	48.2	660.7	45.1	618.9	42.1	591.9	40.2
	72	66	783.5	50.5	741.7	47.7	702.4	45.1	660.7	42.4	618.9	39.6	591.9	37.8
	75	69	783.5	48.6	741.7	46.0	702.4	43.5	660.7	40.9	618.9	38.3	591.9	36.6
	80	74	783.5	45.7	741.7	43.3	702.4	41.0	660.7	38.6	618.9	36.2	591.9	34.6
110%	-13	-14	298.6	40.3	297.8	41.4	297.1	42.5	296.3	43.7	295.6	45.0	295.1	45.9
	-8	-9	310.9	41.9	310.1	43.1	309.3	44.2	308.6	45.5	307.8	46.9	307.2	47.8
	-3	-4	329.9	44.2	329.1	45.4	328.3	46.6	327.5	48.0	326.6	49.4	326.1	50.4
	2	1	353.9	46.9	353.0	48.1	352.2	49.4	351.3	50.8	350.4	52.3	349.8	53.3
	7	6	381.2	49.6	380.2	50.9	379.3	52.2	378.3	53.6	377.3	55.1	376.7	56.2
	12	10	410.2	52.1	409.2	53.4	408.2	54.7	407.2	56.2	406.1	57.8	405.4	58.9
	17	15	439.8	54.3	438.7	55.6	437.6	56.9	436.5	58.4	435.4	60.0	434.6	61.0
	22	20	468.8	55.9	467.6	57.2	466.4	58.6	465.2	60.0	464.0	61.6	463.3	62.6
	27	24	496.2	57.0	494.9	58.3	493.7	59.6	492.5	61.0	491.2	62.5	491.1	63.6
	32	29	521.3	57.5	520.0	58.7	518.8	59.9	517.4	61.3	516.3	62.2	515.2	61.1
	37	34	543.7	57.3	542.3	58.5	541.0	59.6	539.9	59.6	538.8	58.3	537.7	57.4
	42	38	562.8	56.5	561.7	57.7	560.6	56.9	559.5	55.8	558.4	54.8	542.6	52.7
	47	43	602.0	57.0	600.9	56.1	599.8	55.3	598.7	54.5	567.4	51.0	542.6	48.3
	52	47	662.4	57.1	661.3	56.4	643.9	54.4	605.6	50.6	567.4	47.0	542.6	44.6
	57	52	718.2	56.8	679.9	53.4	643.9	50.2	605.6	46.8	567.4	43.6	542.6	41.5
	62	56	718.2	52.5	679.9	49.4	643.9	46.6	605.6	43.6	567.4	40.6	542.6	38.7
	67	61	718.2	48.8	679.9	46.1	643.9	43.5	605.6	40.7	567.4	38.0	542.6	36.3
	72	66	718.2	45.6	679.9	43.1	643.9	40.7	605.6	38.2	567.4	35.8	542.6	34.2
	75	69	718.2	43.9	679.9	41.5	643.9	39.3	605.6	36.9	567.4	34.5	542.6	33.0
	80	74	718.2	41.3	679.9	39.1	643.9	37.0	605.6	34.8	567.4	32.7	542.6	31.2

NOTE - Power Input = Compressor + Outdoor Fan Motor.  
 MBH = 1000 BTUs per hour.











## REVISIONS

Sections	Description of Change
Dimensions - Unit	Updated.



**Intertek**



Visit us at [www.lennox.com](http://www.lennox.com)

For the latest technical information, [www.lennoxcommercial.com](http://www.lennoxcommercial.com)

Contact us at 1-800-4-LENNOX

NOTE - Due to Lennox' ongoing commitment to quality, Specifications, Ratings and Dimensions subject to change without notice and without incurring liability. Improper installation, adjustment, alteration, service or maintenance can cause property damage or personal injury. Installation and service must be performed by a qualified installer and servicing agency.

©2021 Lennox Industries, Inc.