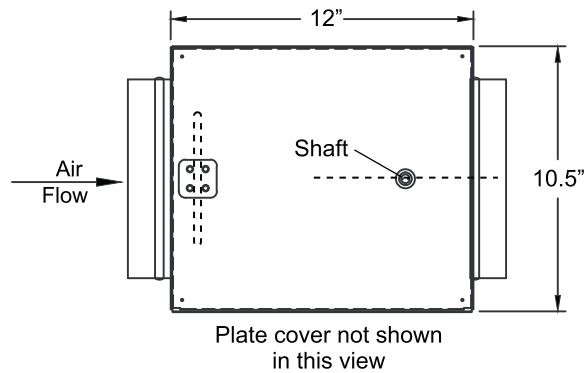


Model Number	Inlet Diameter	
	in.	mm
SC-RAT-04	3.88	99
SC-RAT-05	4.88	124
SC-RAT-06	5.88	149
SC-RAT-08	7.88	200
SC-RAT-10	9.88	251
SC-RAT-12	11.88	302
SC-RAT-14	13.88	353
SC-RAT-16	15.88	403



The SC-RAT-XX Retro Air Terminal is a round retrofit air terminal that can be used to achieve zone control in low pressure single duct or multi-zone systems. The SC-RAT-XX is installed in the branch duct before the diffusers supplying the zone to be controlled. Any single duct pneumatic, electric or electronic control sequence can be used to modulate the SC-RAT-XX Retro Air Terminal to vary the supply air to the zone. The SC-RAT-XX also contains a multi-quadrant, averaging flow sensor for highly accurate (+/-5%) flow reading with varying inlet duct configurations after certified balancing of the air terminal unit.

#### SPECIFICATIONS:

- 22 gauge galvanized steel casing.
- Mechanically sealed, low leakage construction.
- Readily installed into existing ductwork with minimal modification.
- 3-beaded inlet connection tube for added rigidity and secure flex duct connections.
- Externally accessible metal inlet flow sensor with extra balancing taps.
- 20 gauge galvanized control mounting plate and enclosure.
- Damper constructed of double layer, 18 gauge galvanized steel with sandwiched flexible gasket fastened to provide tight seal (<1% @ 3.0" w.c.).
- Beaded inlet and discharge for added rigidity aids in secure flex duct connections.